



US00D676186S

(12) **United States Design Patent**
Ramaker et al.

(10) **Patent No.:** **US D676,186 S**
(45) **Date of Patent:** **** Feb. 12, 2013**

(54) **TRIPLE CANDLE WICK**
(75) Inventors: **James Ramaker**, Huddleston, VA (US);
Neohni Warner, Forest, VA (US)
(73) Assignee: **Smith Mountain Industries, Inc.**,
Forest, VA (US)
(**) Term: **14 Years**
(21) Appl. No.: **29/422,958**

D443,100 S * 5/2001 Wu D26/110
6,444,156 B1 * 9/2002 Schwarz et al. 264/405
D478,160 S * 8/2003 Wohrle D23/366
6,857,869 B1 * 2/2005 Sun 431/289
D507,667 S * 7/2005 Aucoin D26/23
D610,279 S * 2/2010 Bolanos D26/13
D643,554 S * 8/2011 Decker
D644,359 S * 8/2011 Decker D26/6
D644,360 S * 8/2011 Decker D26/6
D663,450 S * 7/2012 Delcotto et al. D26/6
2002/0102187 A1 * 8/2002 Bellenger et al. 422/126
2005/0037308 A1 * 2/2005 Decker 431/325
2007/0275336 A1 * 11/2007 Sun 431/291

(22) Filed: **May 25, 2012**
(51) **LOC (9) Cl.** **26-99**
(52) **U.S. Cl.** **D26/116**
(58) **Field of Classification Search** D26/1,
D26/2, 118, 113, 138, 119, 120, 121, 122,
D26/76, 77, 75, 78, 85, 86, 89, 90, 62, 64,
D26/65, 66, 63, 73, 72, 74, 68, 71, 28, 123,
D26/124, 127, 128, 129, 134, 135, 132, 139,
D26/154, 155, 152, 149, 148, 145, 143, 142,
D26/140, 141, 153, 144, 91, 92, 29, 24, 25,
D26/26, 8, 114, 37, 87, 116, 115, 117, 12,
D26/11, 13, 6, 7, 9; 362/202, 347, 349, 362,
362/419, 96, 192, 145, 294, 326, 267, 373,
362/249.01–249.12; D13/102, 179, 180;
431/291, 116, 325

* cited by examiner

Primary Examiner — Kevin Rudzinski
(74) *Attorney, Agent, or Firm* — Frost Brown Todd LLC

See application file for complete search history.

(56) **References Cited**

U.S. PATENT DOCUMENTS

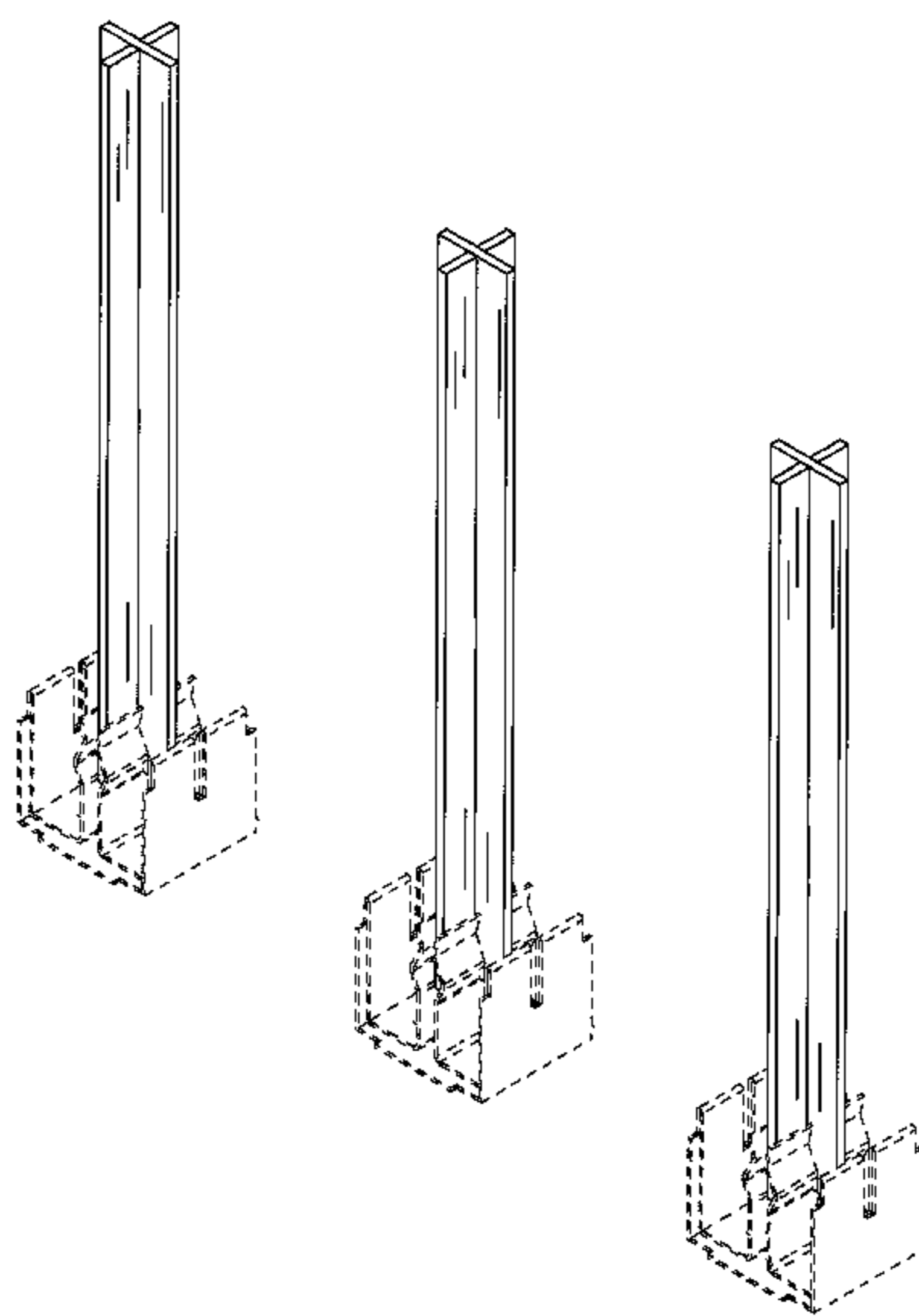
170,995 A * 12/1875 Daniels 431/325
243,272 A * 6/1881 Joly 431/288
252,590 A * 1/1882 Loper 431/288
431,033 A * 7/1890 Chapin 431/325
2,324,753 A * 7/1943 Alexiade 431/323
3,321,938 A * 5/1967 Bureau 431/116
3,582,251 A * 6/1971 Concannon 431/126
D229,852 S * 1/1974 Lindblad D26/9
D248,499 S * 7/1978 Ulrich et al. D26/9
4,206,500 A * 6/1980 Neil 362/161
D433,176 S * 10/2000 Barry D26/112

(57) **CLAIM**
The ornamental design for a triple candle wick, as shown and described.

DESCRIPTION

FIG. 1 is a perspective view of a triple candle wick showing our new design.
FIG. 2 is a front view thereof, the back view being a mirror image thereof.
FIG. 3 is a side view thereof, the opposite side view being a mirror image thereof.
FIG. 4 is a top view thereof.
FIG. 5 is a perspective view of the candle wick of FIGS. 1-4 shown as a component of a wax candle.
FIG. 6 is a side view of the view shown in FIG. 5, shown with the wax removed, the opposite side view being a mirror image thereof; and,
FIG. 7 is a top view of the view shown in FIG. 5, shown with the wax removed.
The broken lines in the drawings are included for purposes of illustrating portions of the environment used with the candle wick that form no part of the claimed design.

1 Claim, 7 Drawing Sheets



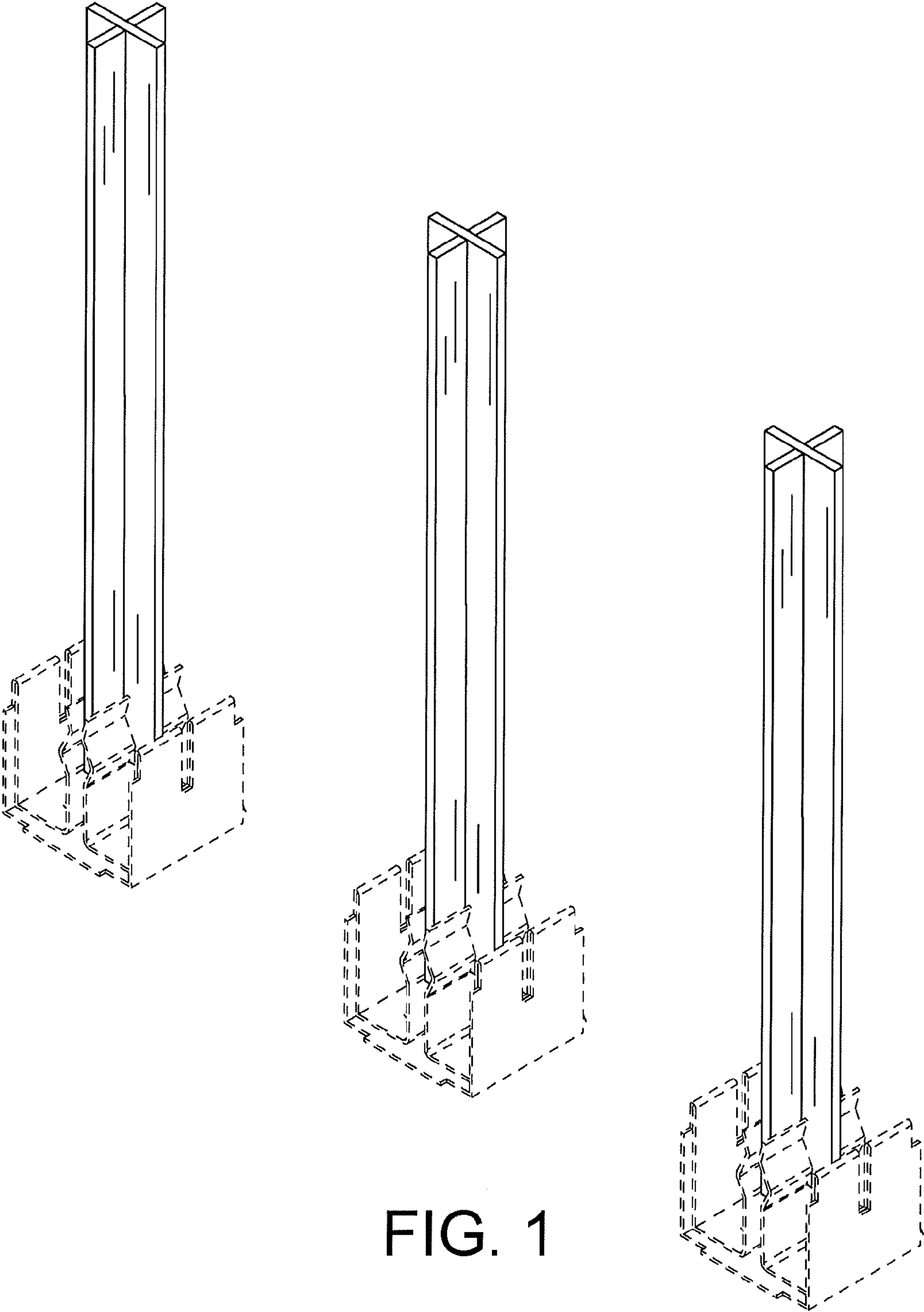


FIG. 1

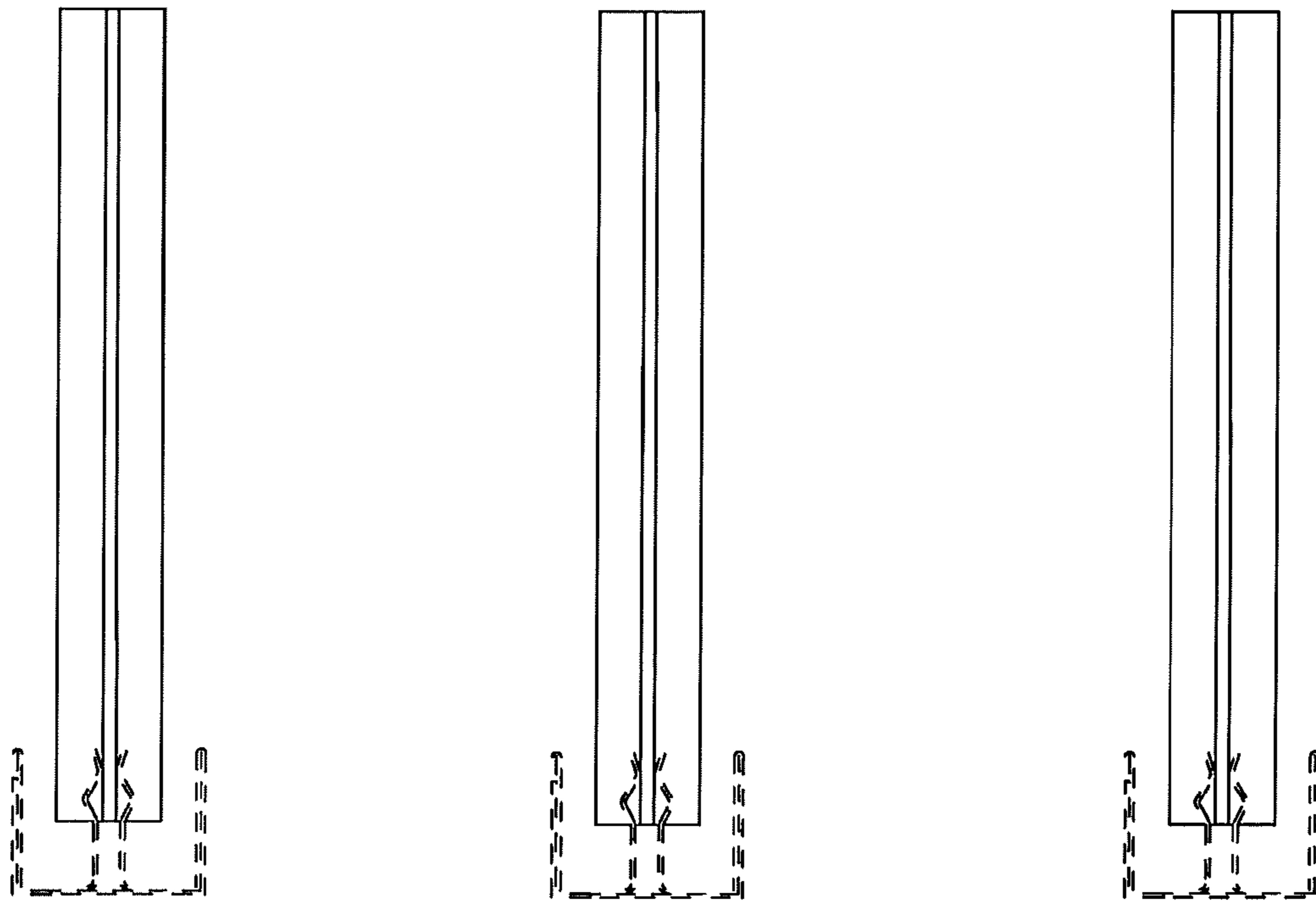


FIG. 2

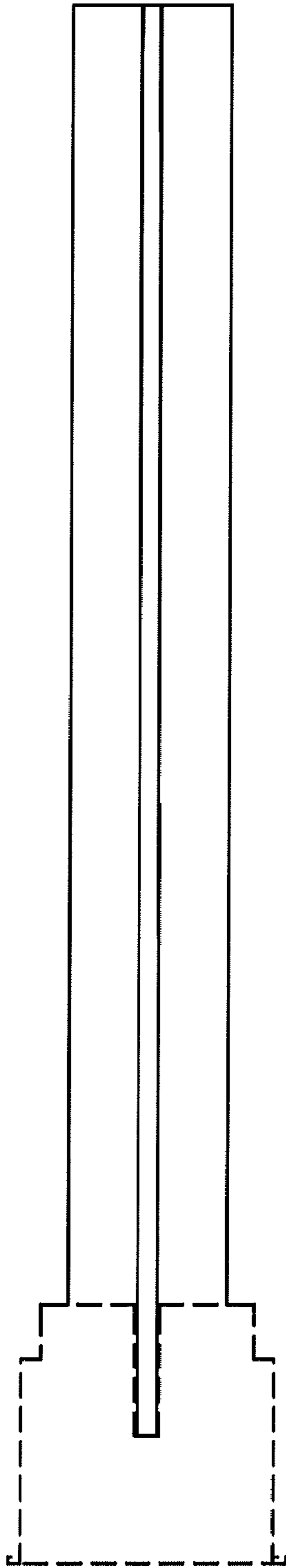


FIG. 3

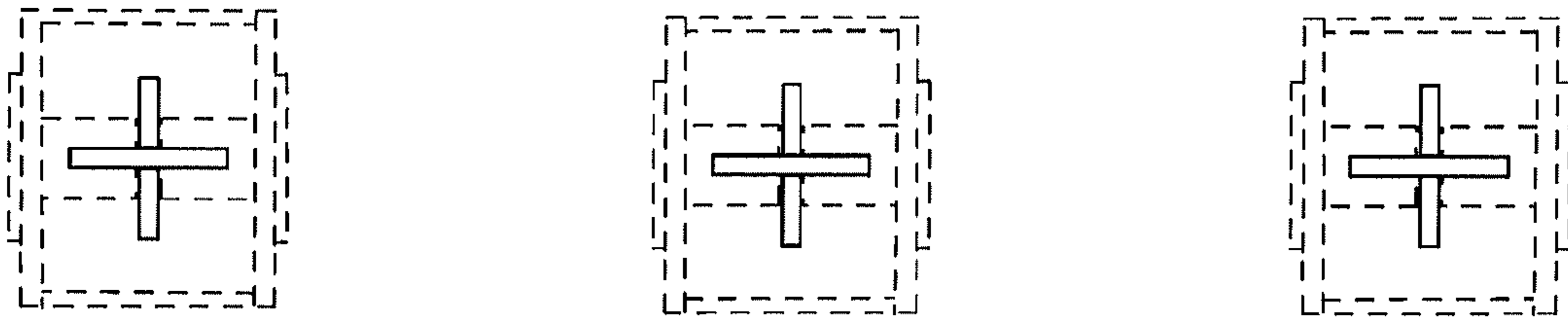


FIG. 4

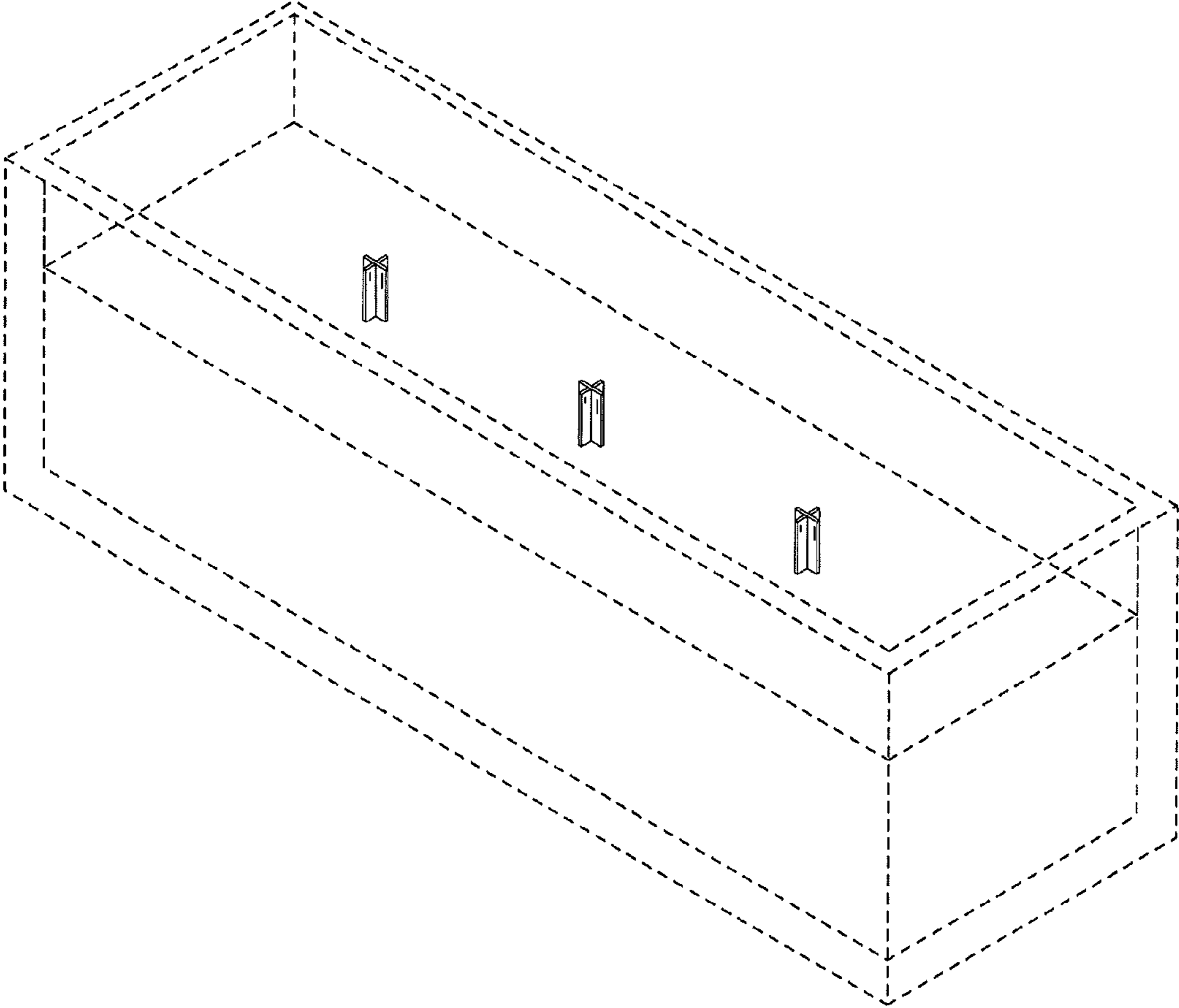


FIG. 5

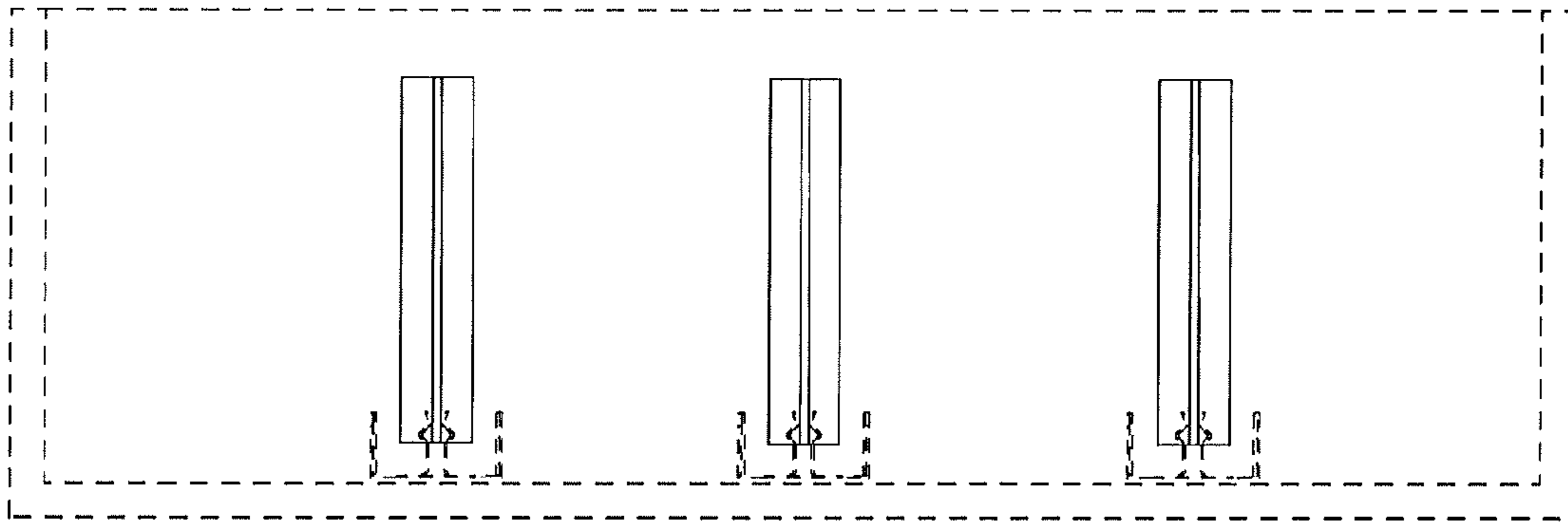


FIG. 6

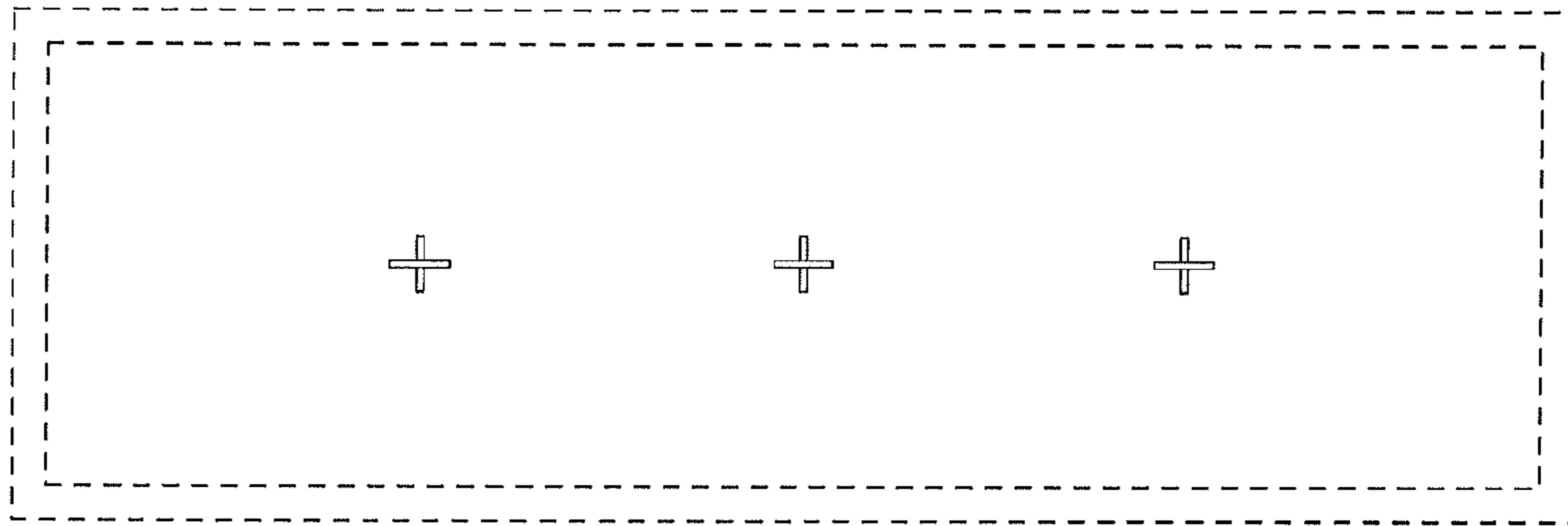


FIG. 7