

US00D676184S

(12) **United States Design Patent**
Lee

(10) **Patent No.:** **US D676,184 S**
(45) **Date of Patent:** **** Feb. 12, 2013**

(54) **GLASS BREAKING CAP FOR FLASHLIGHTS AND BATONS**

(76) Inventor: **Mei-Huey Lee, New Taipei (TW)**

(**) Term: **14 Years**

(21) Appl. No.: **29/389,154**

(22) Filed: **Apr. 7, 2011**

(51) **LOC (9) Cl.** **26-99**

(52) **U.S. Cl.** **D26/113**

(58) **Field of Classification Search** D26/1,
D26/2, 118, 113, 138, 119, 120, 121, 122,
D26/76, 77, 75, 78, 85, 86, 89, 90, 62, 64,
D26/65, 66, 63, 73, 72, 74, 68, 71, 28, 123,
D26/124, 127, 128, 129, 134, 135, 132, 139,
D26/154, 155, 152, 149, 148, 145, 143, 142,
D26/140, 141, 153, 144, 91, 92, 29, 24, 25,
D26/26, 8, 114, 37, 87; 362/202, 347, 349,
362/362, 419, 96, 192, 145, 294, 326, 267,
362/373, 249.01–249.12; D13/102, 179,
D13/180; 463/47.2–47.9; D22/117; D8/105,
D8/81

See application file for complete search history.

(56) **References Cited**

U.S. PATENT DOCUMENTS

| | | | | |
|-----------|-----|---------|----------------|----------|
| 786,040 | A * | 3/1905 | Cilley et al. | 362/102 |
| 1,179,611 | A * | 4/1916 | McGuckin | 463/47.4 |
| 1,211,465 | A * | 1/1917 | McGuckin | 362/208 |
| 3,106,398 | A * | 10/1963 | Gowdey | 463/47.2 |
| 4,052,063 | A * | 10/1977 | Wong | 463/47.6 |
| D290,334 | S * | 6/1987 | Reynolds, Jr. | D8/105 |
| 4,819,137 | A * | 4/1989 | Hamilton | 362/102 |
| 4,882,956 | A * | 11/1989 | Lang | 81/20 |
| 5,066,013 | A * | 11/1991 | Kubota | 119/801 |
| D323,566 | S * | 1/1992 | Woodgate | D26/63 |
| 5,165,782 | A * | 11/1992 | Maglica et al. | 362/208 |
| 5,339,229 | A * | 8/1994 | Snyder | 362/208 |
| 5,491,898 | A * | 2/1996 | Riley | 30/366 |
| 5,728,003 | A * | 3/1998 | Hustad | 463/47.2 |
| D397,006 | S * | 8/1998 | Coleman et al. | D8/14 |
| 5,941,629 | A * | 8/1999 | Tuscher | 362/253 |
| D413,781 | S * | 9/1999 | Wong | D8/81 |
| D418,102 | S * | 12/1999 | Schehr | D12/213 |

| | | | | |
|-----------|------|---------|--------------------|----------|
| D420,269 | S * | 2/2000 | Ben-Moshe | D8/81 |
| 6,036,332 | A * | 3/2000 | Antal | 362/119 |
| 6,139,165 | A * | 10/2000 | Crowe | 362/102 |
| 6,199,997 | B1 * | 3/2001 | Outsen et al. | 362/109 |
| 6,386,726 | B1 * | 5/2002 | Macierowski et al. | 362/102 |
| 6,499,855 | B1 * | 12/2002 | Kukuk | 362/102 |
| 6,526,875 | B1 * | 3/2003 | Dzbinski | 99/339 |
| D472,444 | S * | 4/2003 | Gesheit | D8/81 |
| D476,874 | S * | 7/2003 | Kim | D8/81 |
| 6,666,566 | B1 * | 12/2003 | Uke | 362/202 |
| D490,762 | S * | 6/2004 | Layman | D12/213 |
| 6,786,368 | B2 * | 9/2004 | Cellini et al. | 222/609 |
| 6,786,615 | B2 * | 9/2004 | Hendricks | 362/109 |
| D498,401 | S * | 11/2004 | Lin et al. | D8/81 |
| D502,275 | S * | 2/2005 | Saunders | D26/37 |
| 7,070,297 | B1 * | 7/2006 | Muhlnickel, Jr. | 362/207 |
| D529,210 | S * | 9/2006 | Mundhra | D26/37 |
| D577,562 | S * | 9/2008 | Lin et al. | D8/105 |
| 7,559,439 | B2 * | 7/2009 | Cellini et al. | 222/78 |
| 7,686,472 | B1 * | 3/2010 | Huang | 362/202 |
| 7,744,471 | B2 * | 6/2010 | Parsons | 463/47.4 |

(Continued)

Primary Examiner — Kevin Rudzinski

(74) *Attorney, Agent, or Firm* — Bacon & Thomas, PLLC

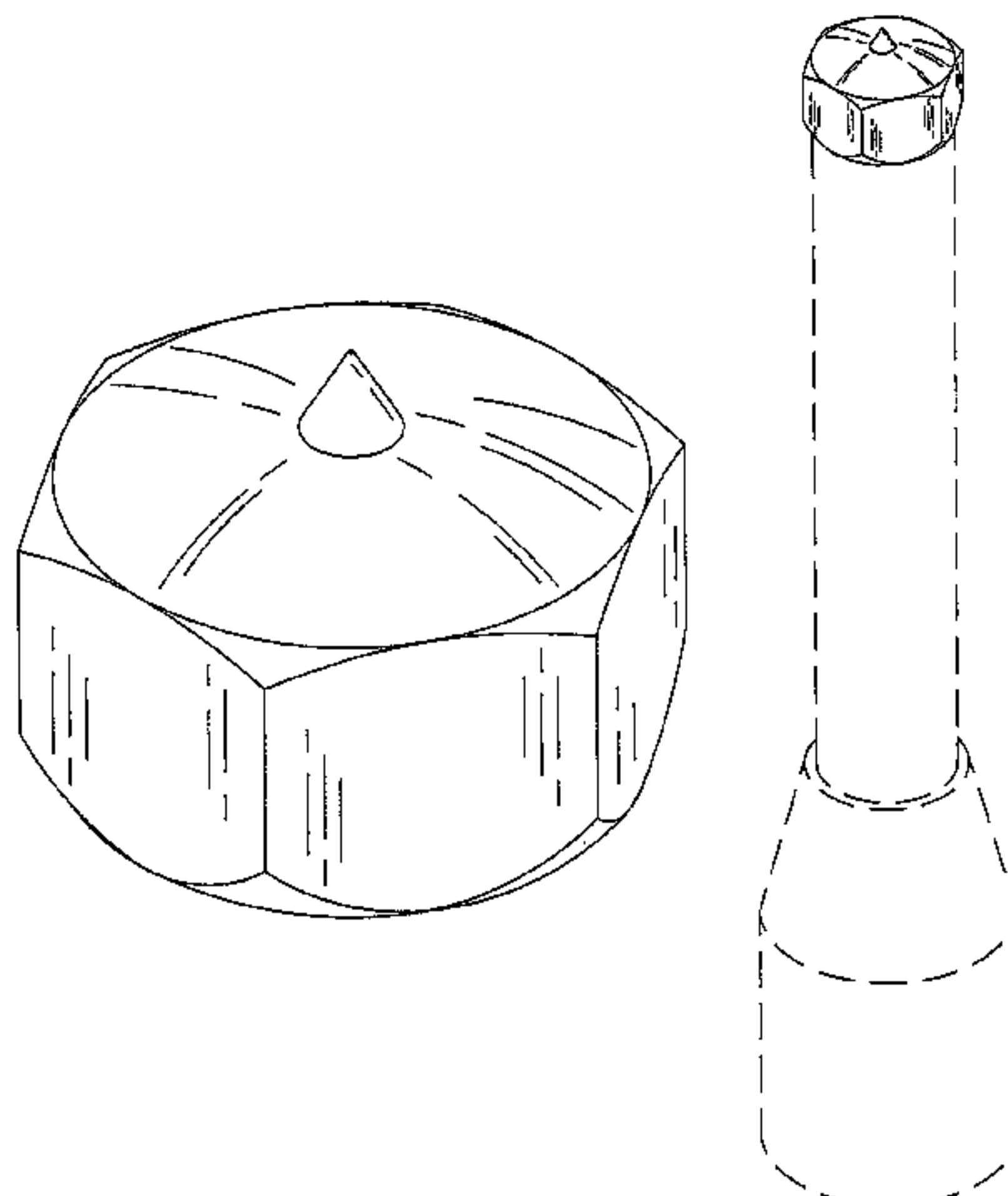
(57) **CLAIM**

The ornamental design for a glass breaking cap for flashlights and batons, as shown and described.

DESCRIPTION

FIG. 1 is a perspective view of a glass breaking cap for flashlights and batons showing my new design; FIG. 2 is a front elevational view thereof; FIG. 3 is a rear elevational view thereof; FIG. 4 is a left side elevational view thereof; FIG. 5 is a right side elevational view thereof; FIG. 6 is a top plan view thereof; FIG. 7 is a bottom plan view thereof; FIG. 8 is a perspective view thereof having a screw thread; FIG. 9 is a perspective view thereof attached onto the top of a police flashlight; and, FIG. 10 is a perspective view thereof attached onto the top of a police baton. The broken line illustration of a portion of the glass breaking cap in FIG. 7, the screw thread in FIG. 8, the flashlight in FIG. 9 and the baton in FIG. 10 form no part of the claimed design.

1 Claim, 10 Drawing Sheets



US D676,184 S

Page 2

| U.S. PATENT DOCUMENTS | | | | | | | |
|-----------------------|------|---------|-----------------------|--------------|------|---------|-----------------------------|
| | | | | 8,231,474 | B2 * | 7/2012 | Stethem 463/47.3 |
| D624,232 | S * | 9/2010 | Summers D26/113 | 2005/0037847 | A1 * | 2/2005 | Pickens 463/47.2 |
| D625,950 | S * | 10/2010 | Regnart D7/391 | 2006/0096590 | A1 * | 5/2006 | Cole et al. 128/200.14 |
| 7,887,211 | B2 * | 2/2011 | Summers 362/102 | 2008/0316737 | A1 * | 12/2008 | Summers 362/202 |
| D647,230 | S * | 10/2011 | Bertken D26/38 | | | | |

* cited by examiner

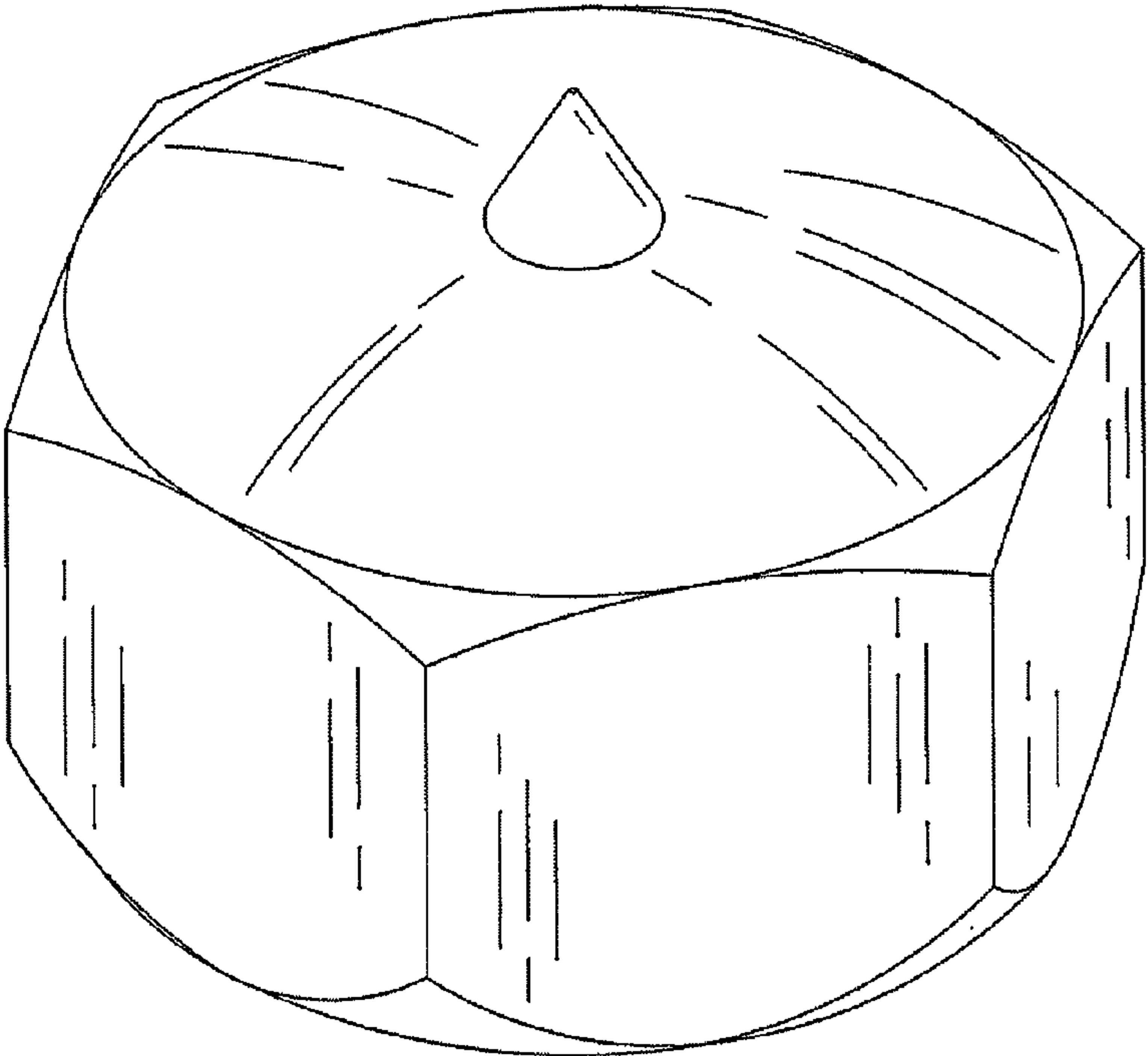


FIG. 1

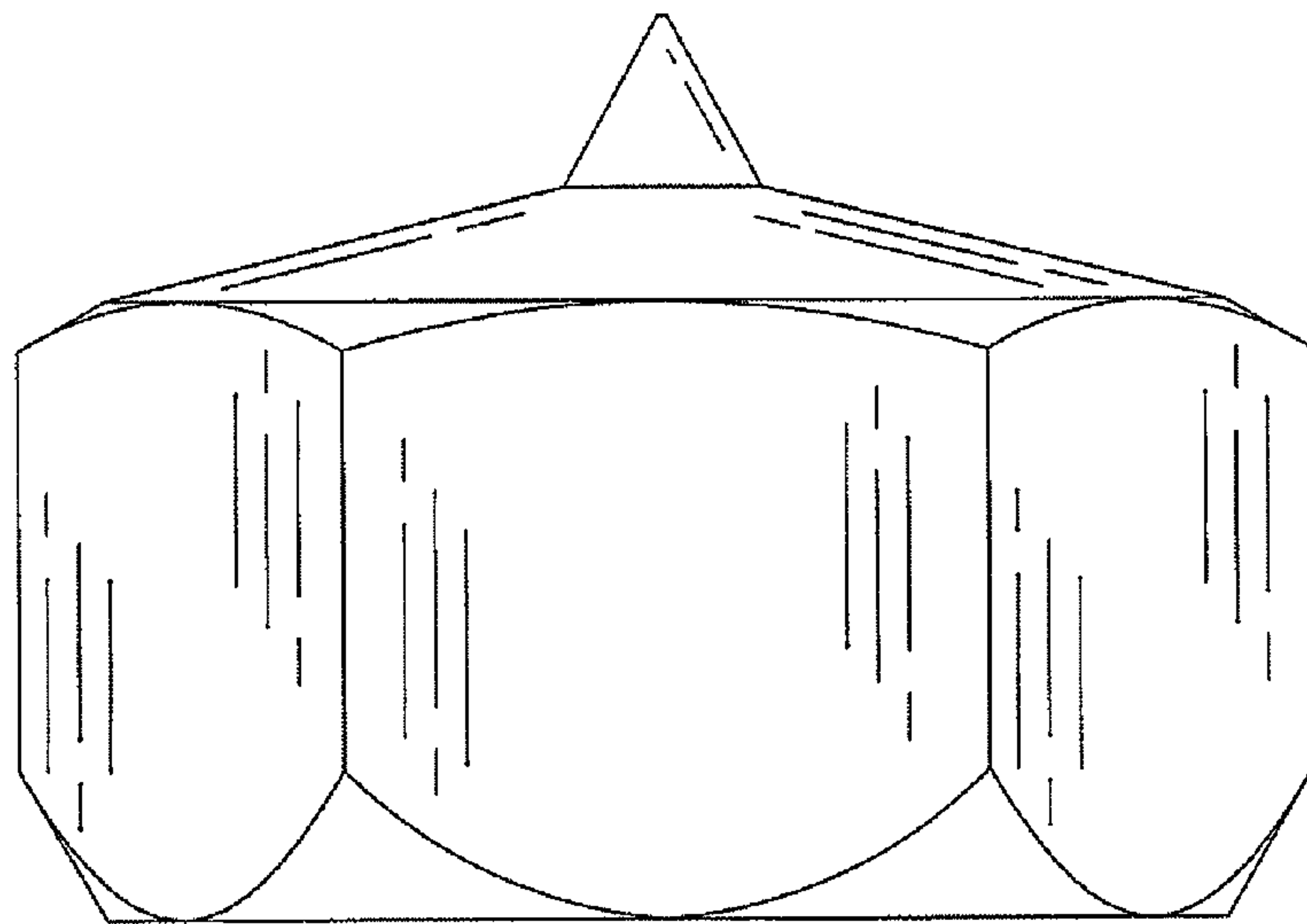


FIG. 2

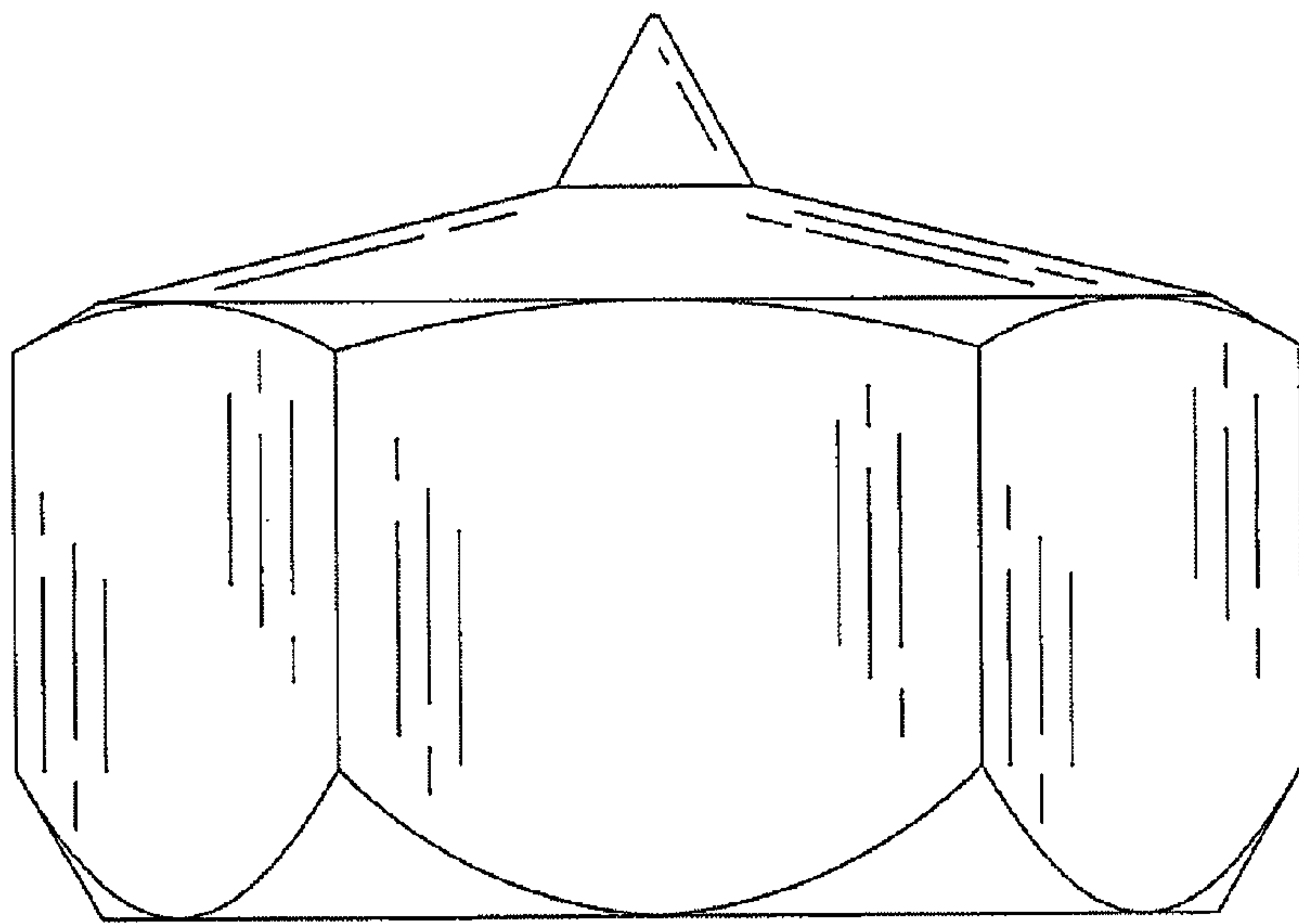


FIG. 3

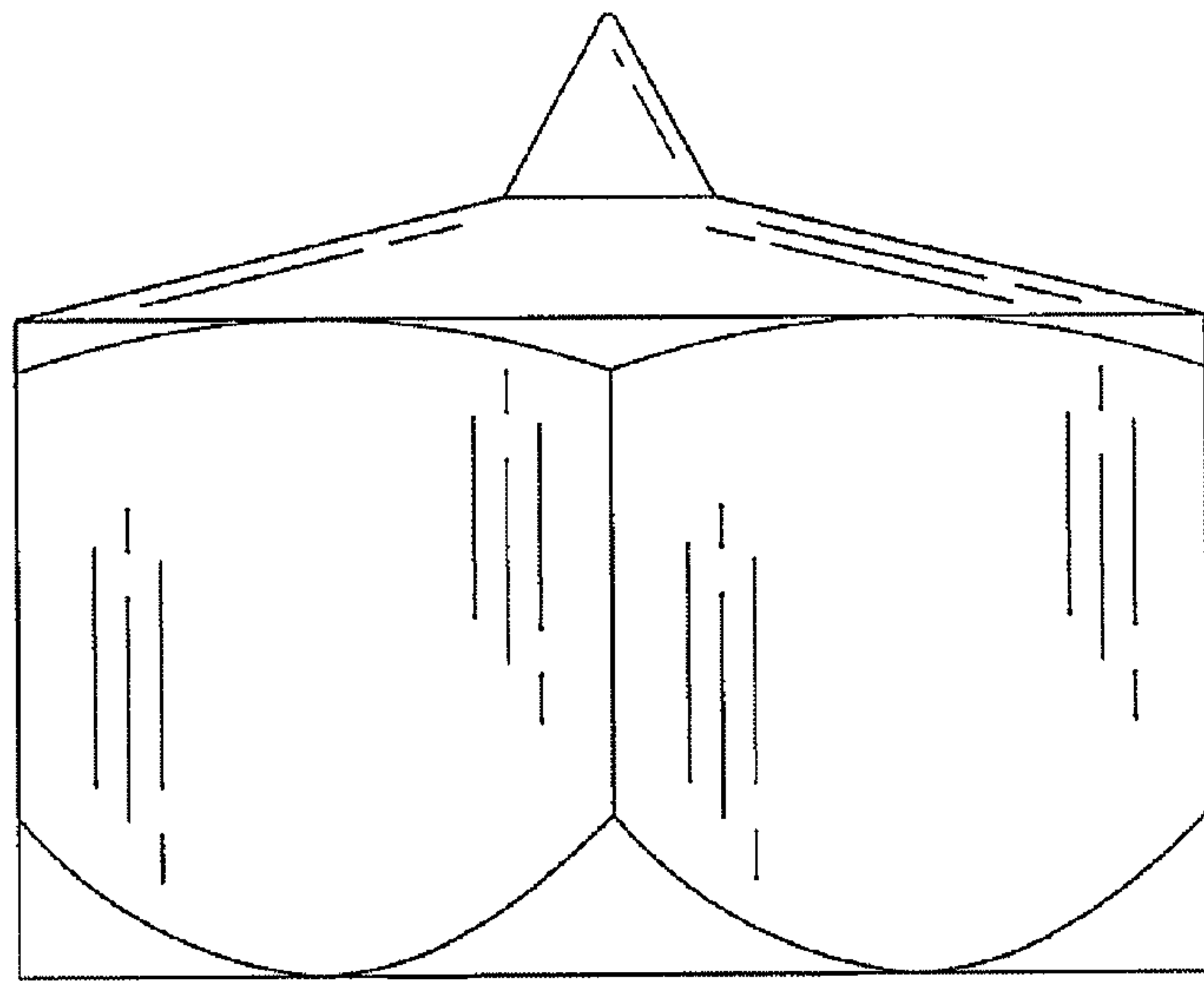


FIG. 4

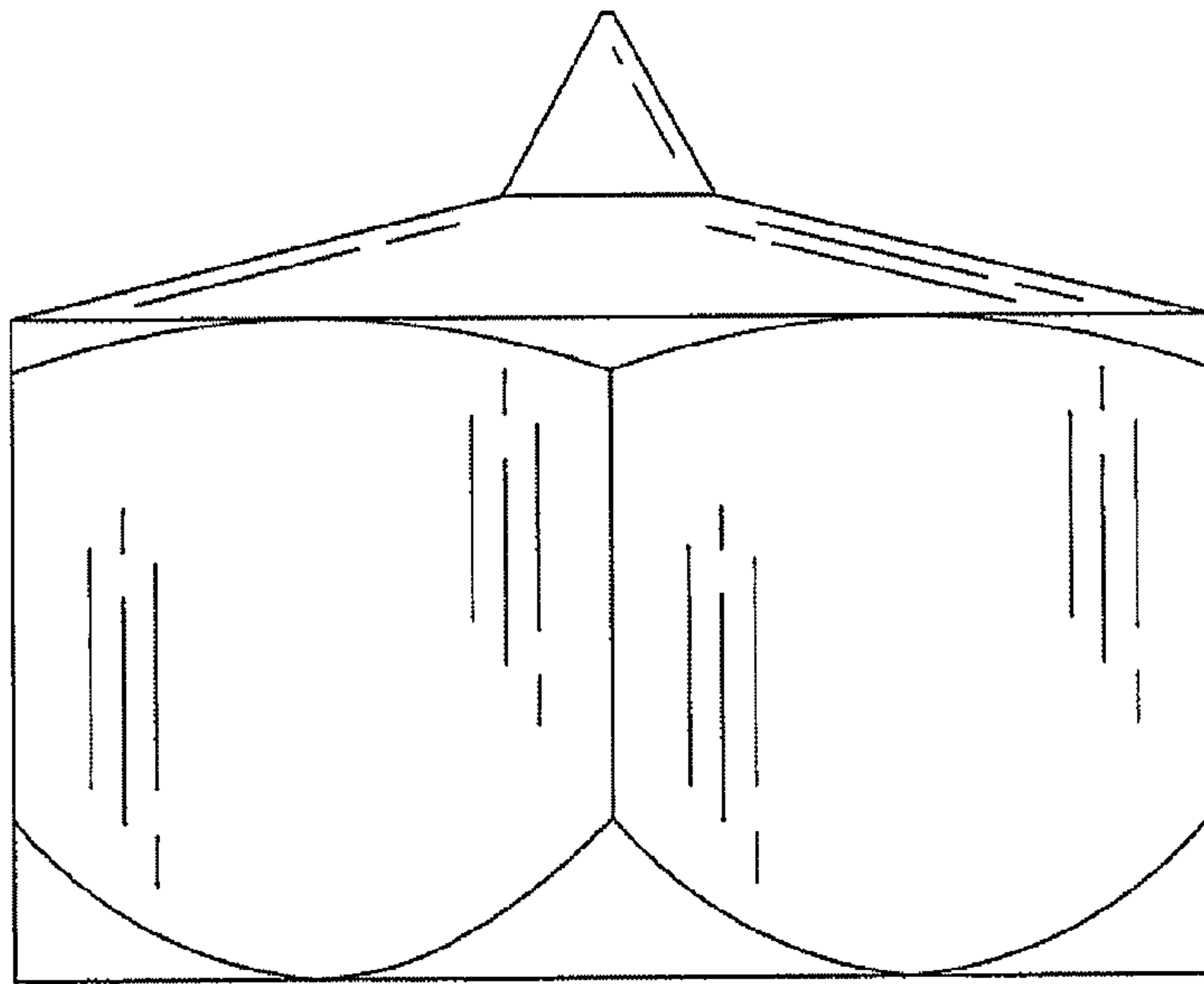


FIG. 5

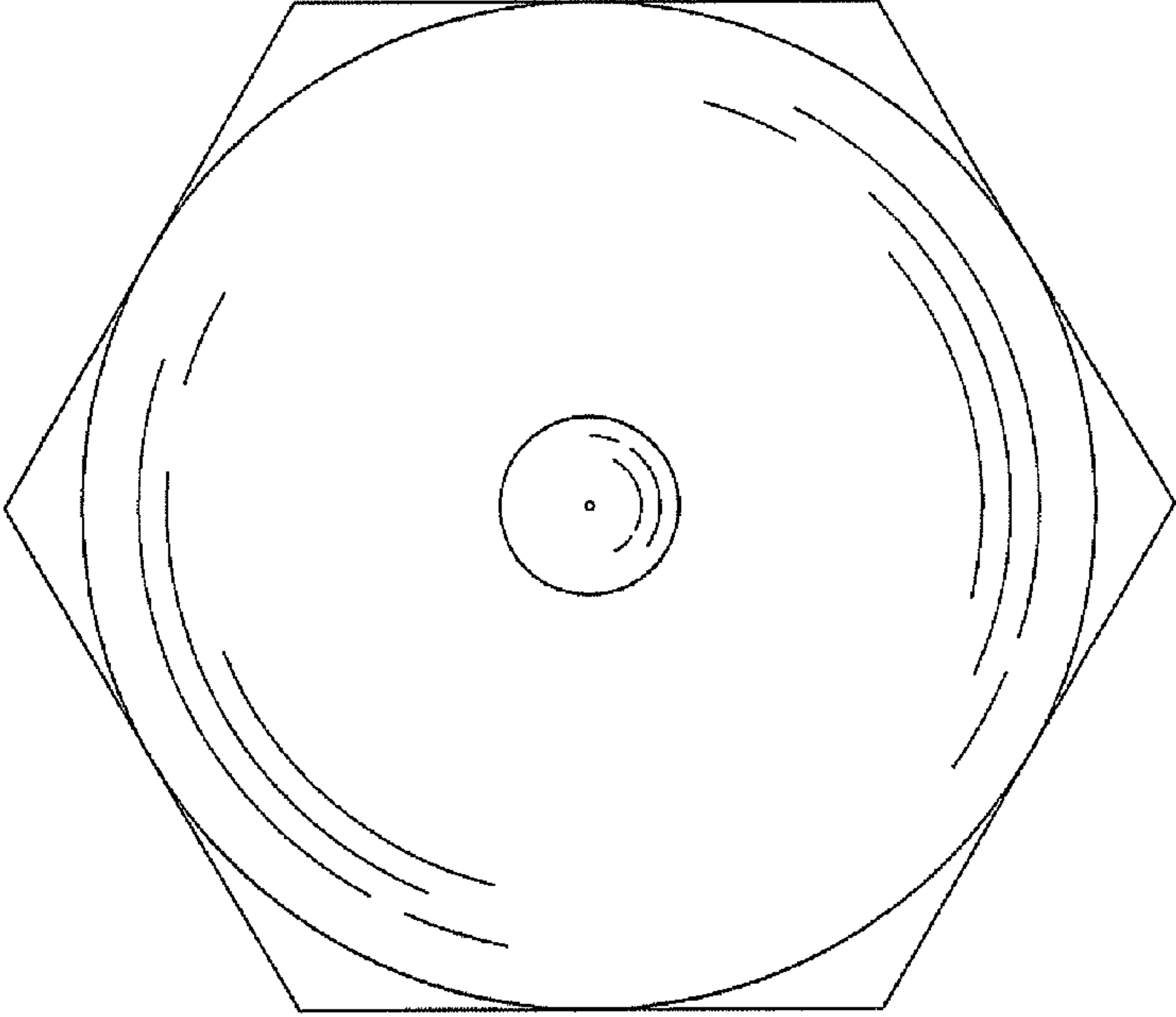


FIG. 6

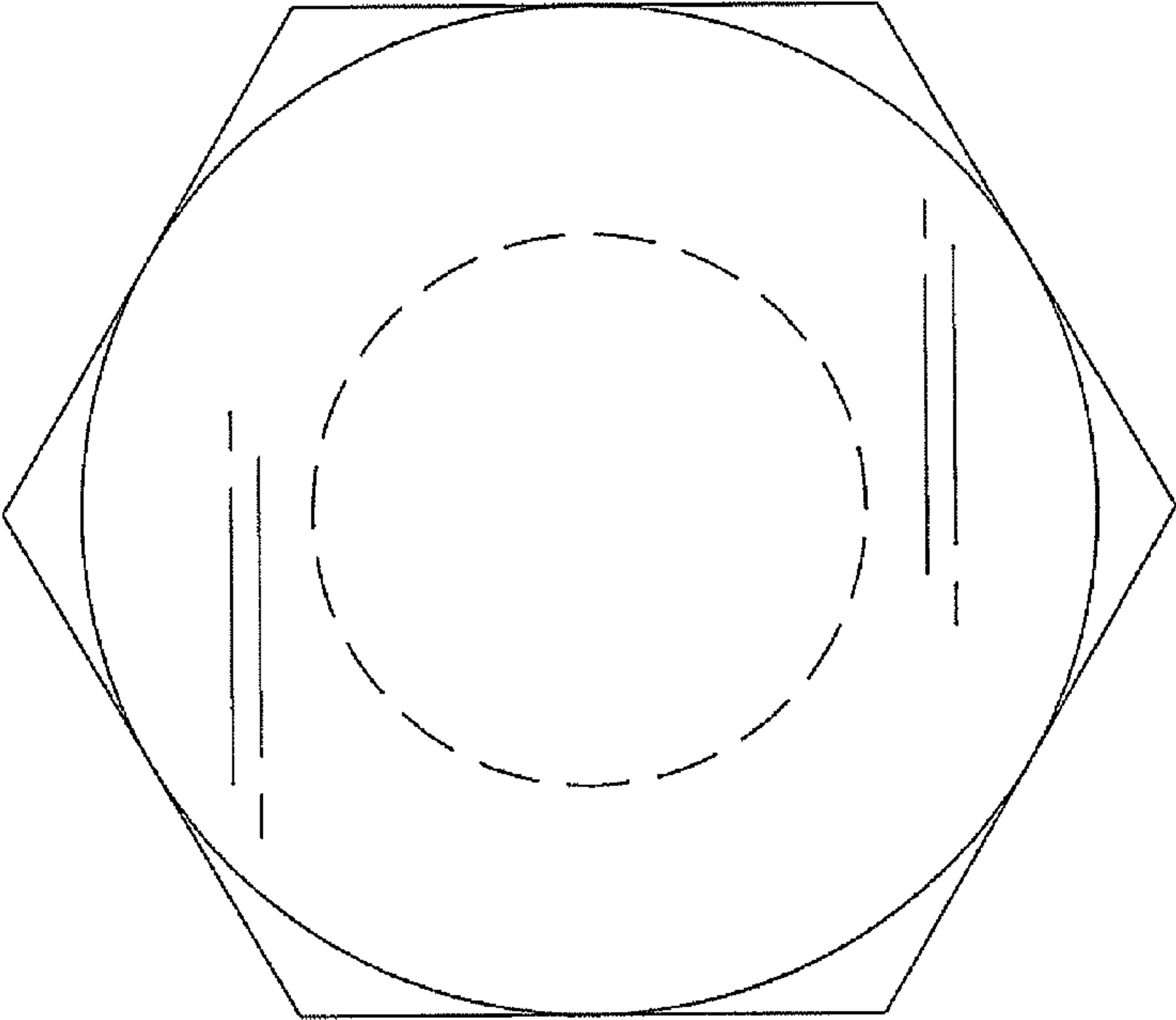


FIG. 7

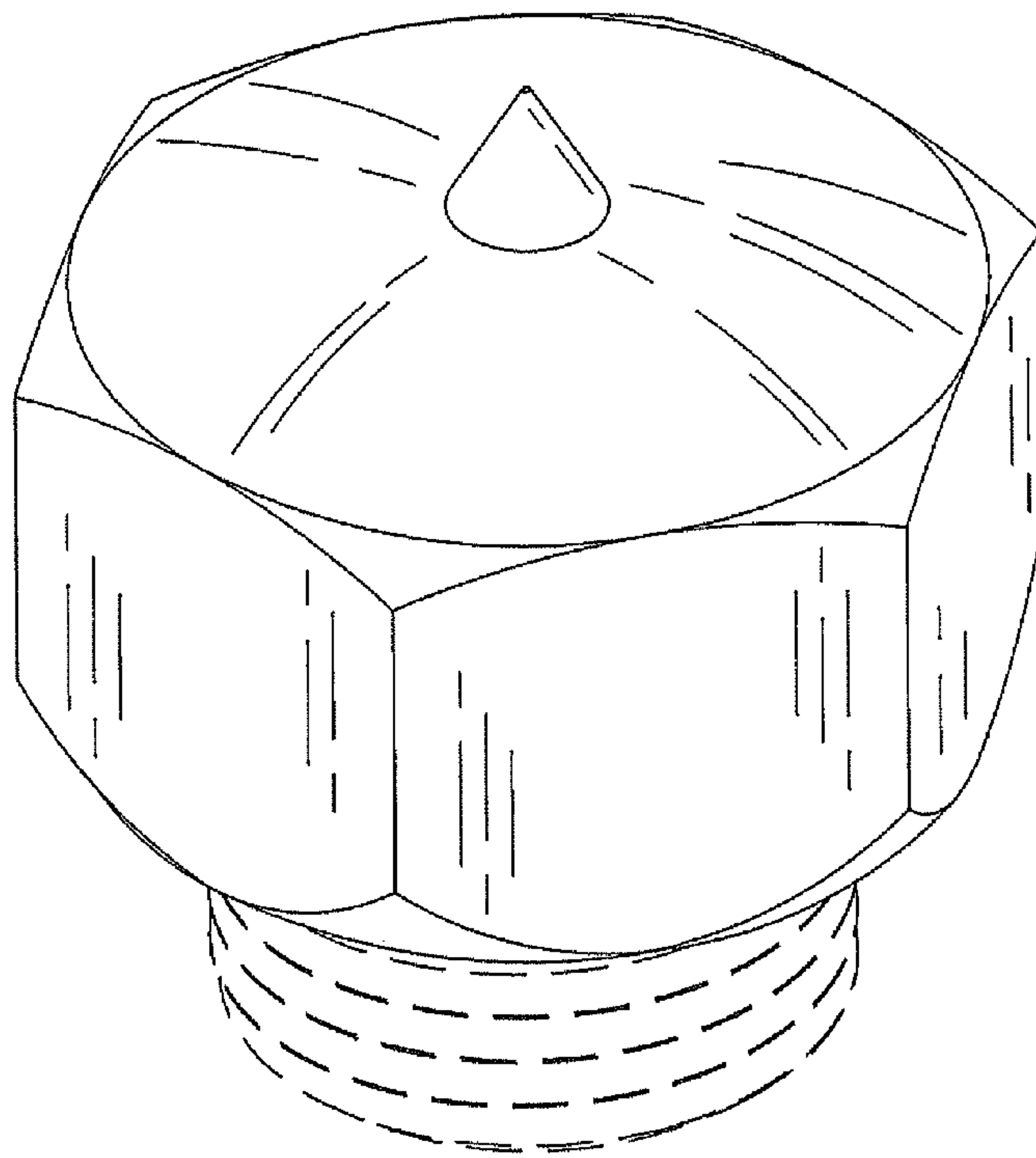


FIG. 8

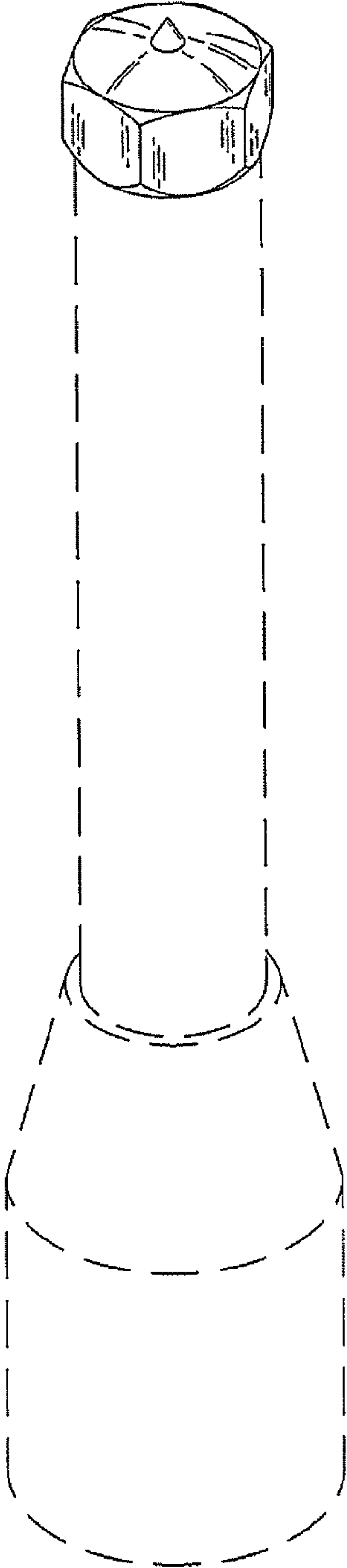


FIG. 9

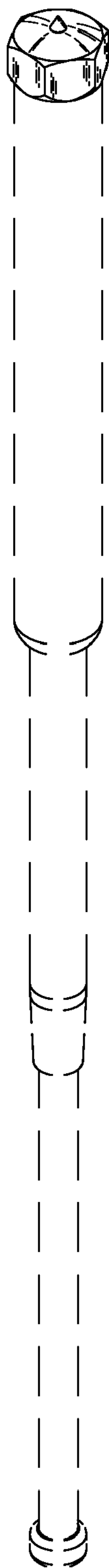


FIG. 10