



US00D676182S

(12) **United States Design Patent**
Boyer et al.

(10) **Patent No.:** **US D676,182 S**
(45) **Date of Patent:** **** Feb. 12, 2013**

(54) **LIGHTING FIXTURE**

(75) Inventors: **John D. Boyer**, Lebanon, OH (US);
James G. Vanden Eynden, Indian Springs, OH (US); **Larry Akers**, Clarksville, OH (US); **Vincent Charles Anthony DiCola**, Cincinnati, OH (US)

(73) Assignee: **LSI Industries, Inc.**, Cincinnati, OH (US)

(**) Term: **14 Years**

(21) Appl. No.: **29/420,112**

(22) Filed: **May 4, 2012**

(51) **LOC (9) Cl.** **26-03**

(52) **U.S. Cl.** **D26/92; D26/71**

(58) **Field of Classification Search** D26/61, D26/63, 65, 67-72, 84, 87, 89, 92, 118, 128, D26/129; 362/147, 249.01-249.06, 294, 362/373, 431, 432

See application file for complete search history.

(56) **References Cited**

U.S. PATENT DOCUMENTS

D191,534 S	10/1961	Curtin et al.	
D213,393 S	2/1969	Clark et al.	
D285,010 S	8/1986	Mullins	
D321,406 S	11/1991	Schlesselman	
D343,022 S	1/1994	Solberg et al.	
D385,053 S	10/1997	Haugaard et al.	
D391,659 S *	3/1998	Gaskins et al.	D26/71
D417,026 S	11/1999	Taylor et al.	
D437,958 S *	2/2001	Doron et al.	D26/71
D442,313 S *	5/2001	Wojtkowiak et al.	D26/71
7,152,997 B1 *	12/2006	Kovacik et al.	362/249.05
D556,935 S *	12/2007	Quioque et al.	D26/71
D578,694 S	10/2008	Zeng et al.	
D599,497 S	9/2009	Liu	
D607,593 S *	1/2010	Yoo	D26/71
D617,033 S *	6/2010	Gaskins	D26/85

D630,790 S *	1/2011	Josefowicz et al.	D26/71
D641,908 S *	7/2011	McKee	D26/71
8,029,151 B2 *	10/2011	Butler	362/20
D652,978 S *	1/2012	Boissevain et al.	D26/71
D664,704 S *	7/2012	Boyer et al.	D26/92
D667,587 S *	9/2012	Wilcox et al.	D26/89
D668,370 S	10/2012	Guercio et al.	
D668,375 S	10/2012	Daniels	

* cited by examiner

Primary Examiner — Clare E Heflin

(74) *Attorney, Agent, or Firm* — McDermott Will & Emery LLP

(57) **CLAIM**

The ornamental design for a lighting fixture, as shown and described.

DESCRIPTION

FIG. 1 is a perspective view of an embodiment of the design of the present disclosure;

FIG. 2 is a front side view of the embodiment depicted in FIG. 1;

FIG. 3 is a rear side view of the embodiment depicted in FIG. 1;

FIG. 4 is a left side view of the embodiment depicted in FIG. 1;

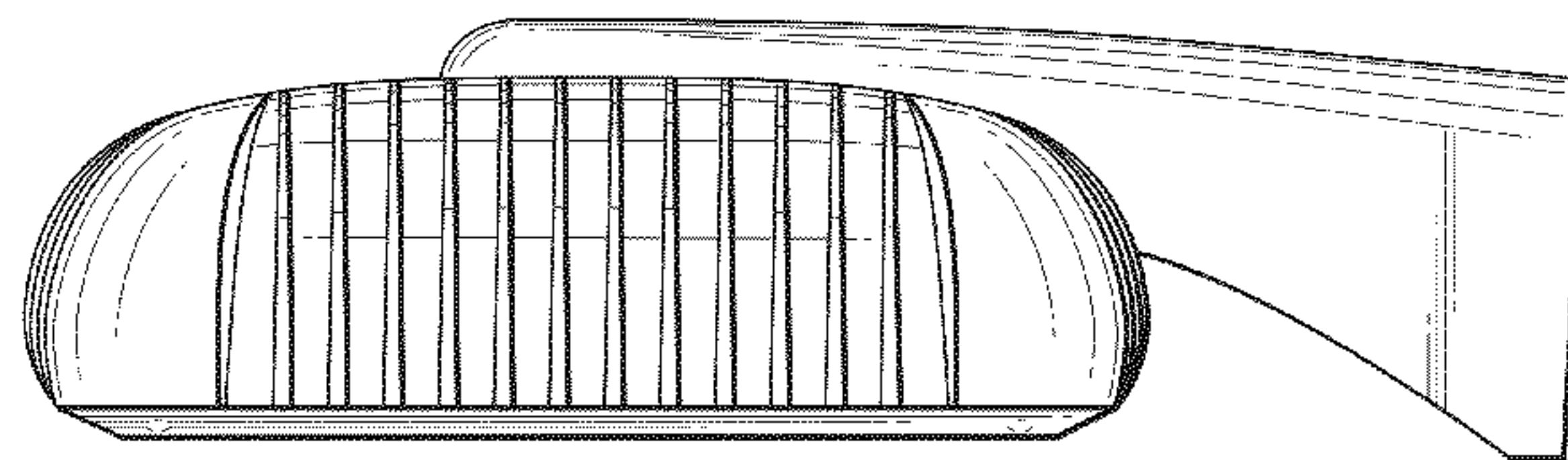
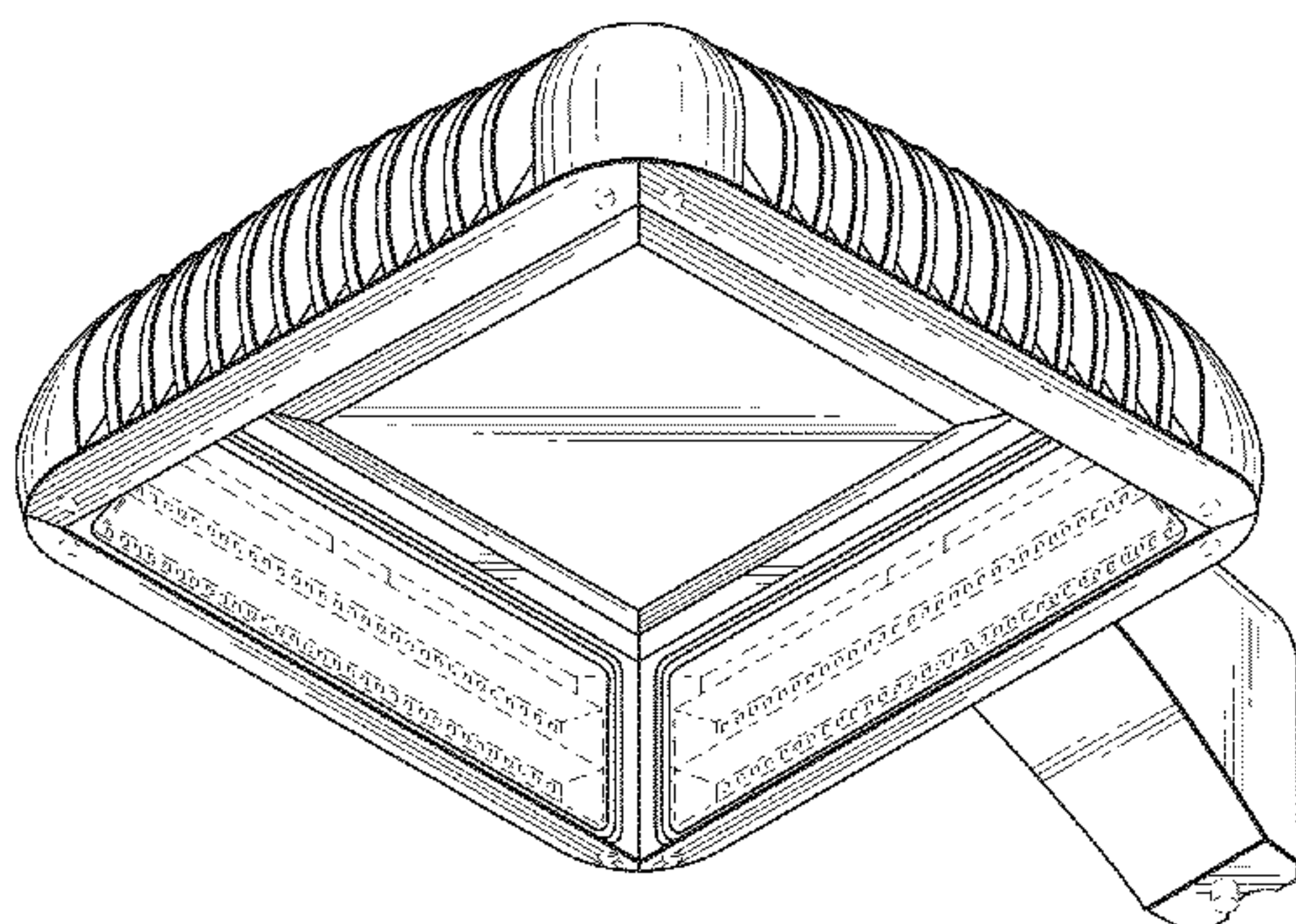
FIG. 5 is a right side view of the embodiment depicted in FIG. 1;

FIG. 6 is a top view of the embodiment depicted in FIG. 1; and,

FIG. 7 is a bottom view of the embodiment depicted in FIG. 1.

Those portions of the present invention which are presented in phantom illustrate the environment of the design only and form no part of the claimed design. Moreover, the shading presented in the accompanying drawings is provided merely to highlight the contour of the invention and is not intended to be illustrative of texture or gloss.

1 Claim, 5 Drawing Sheets



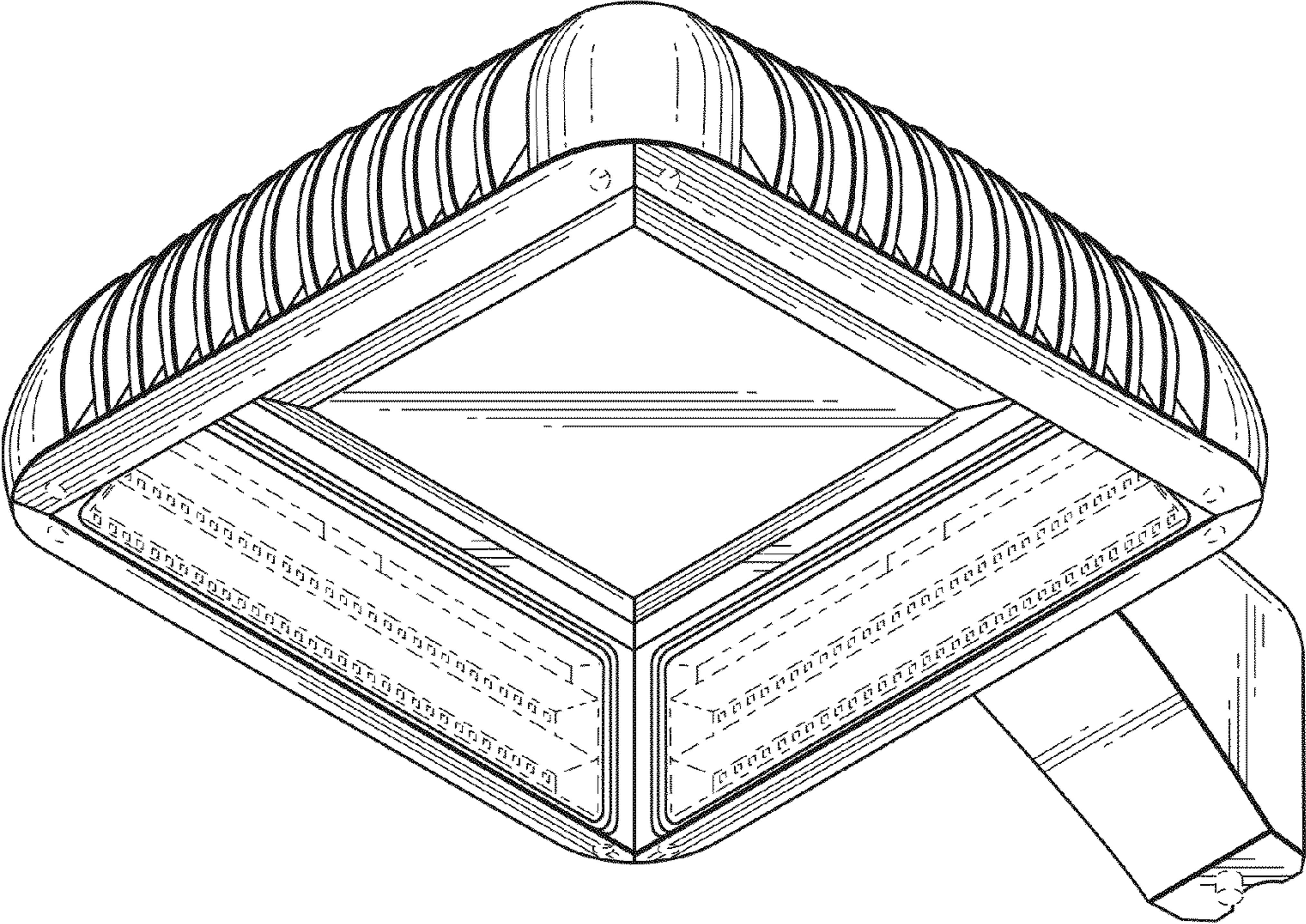


FIG. 1

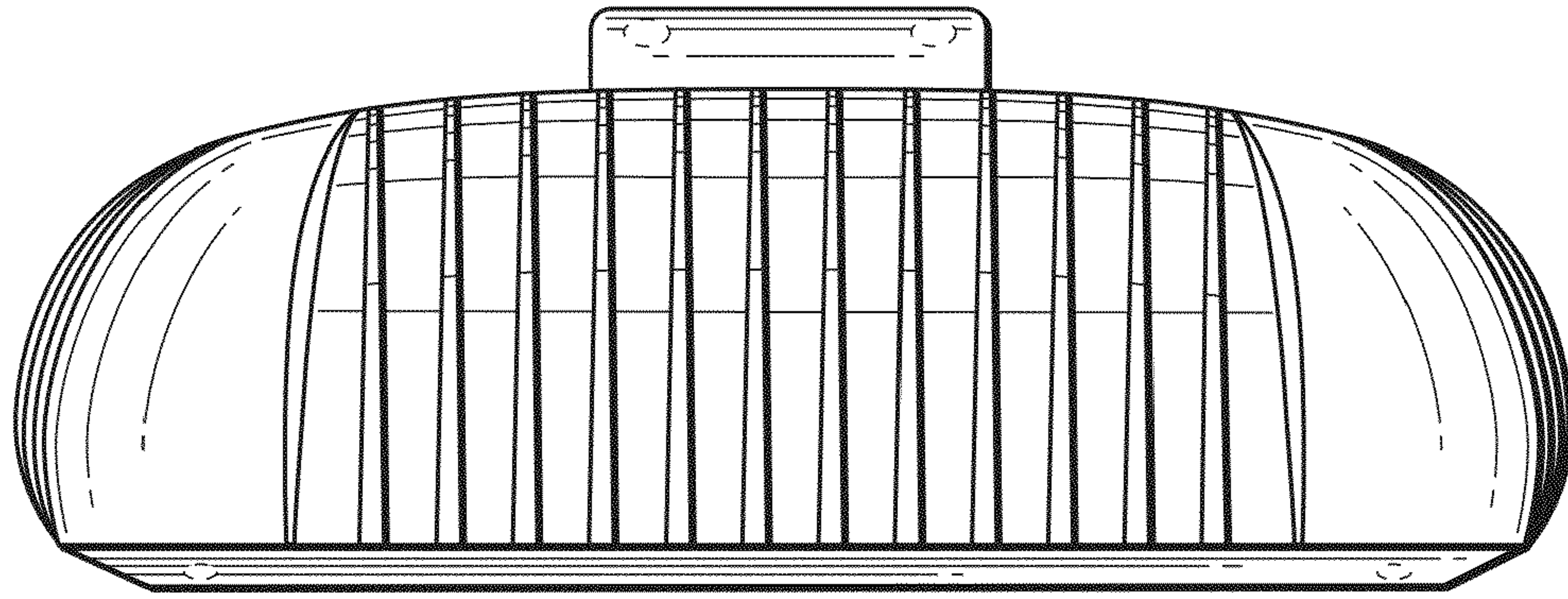


FIG. 2

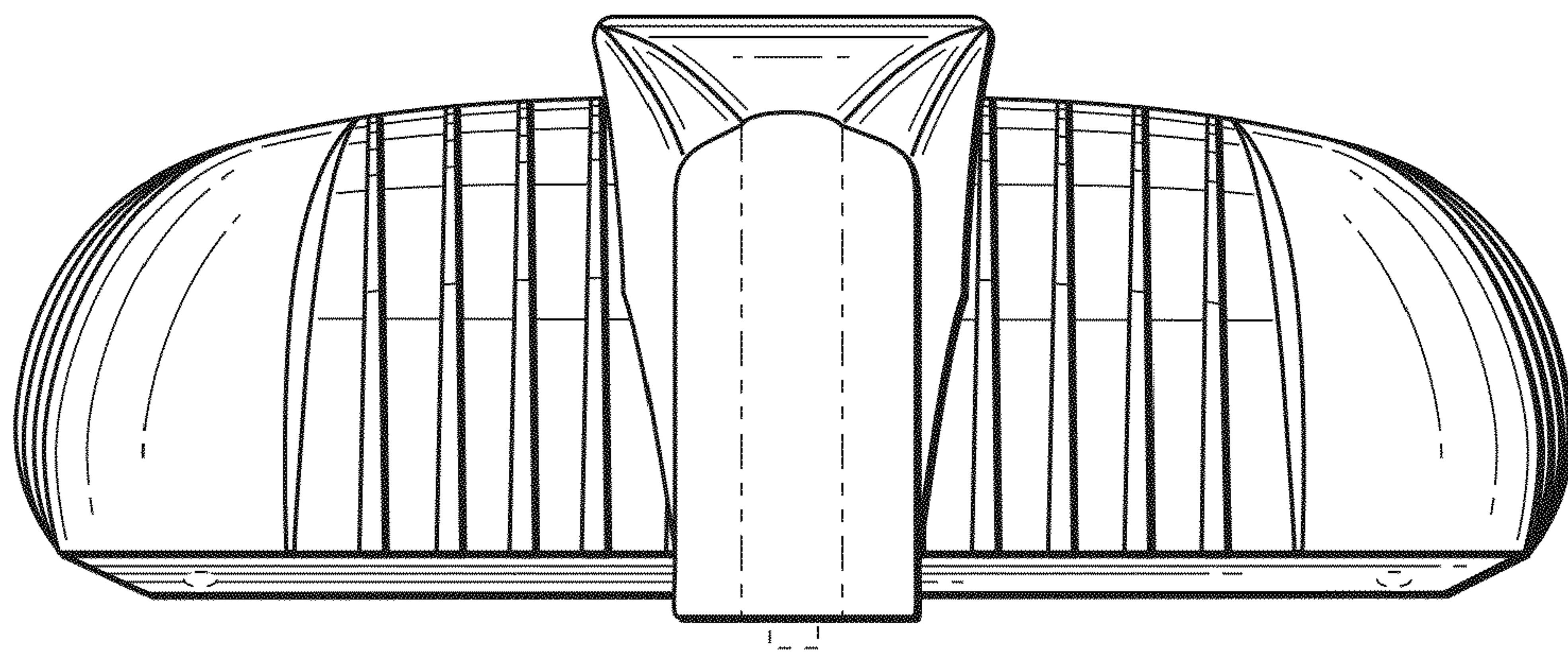


FIG. 3

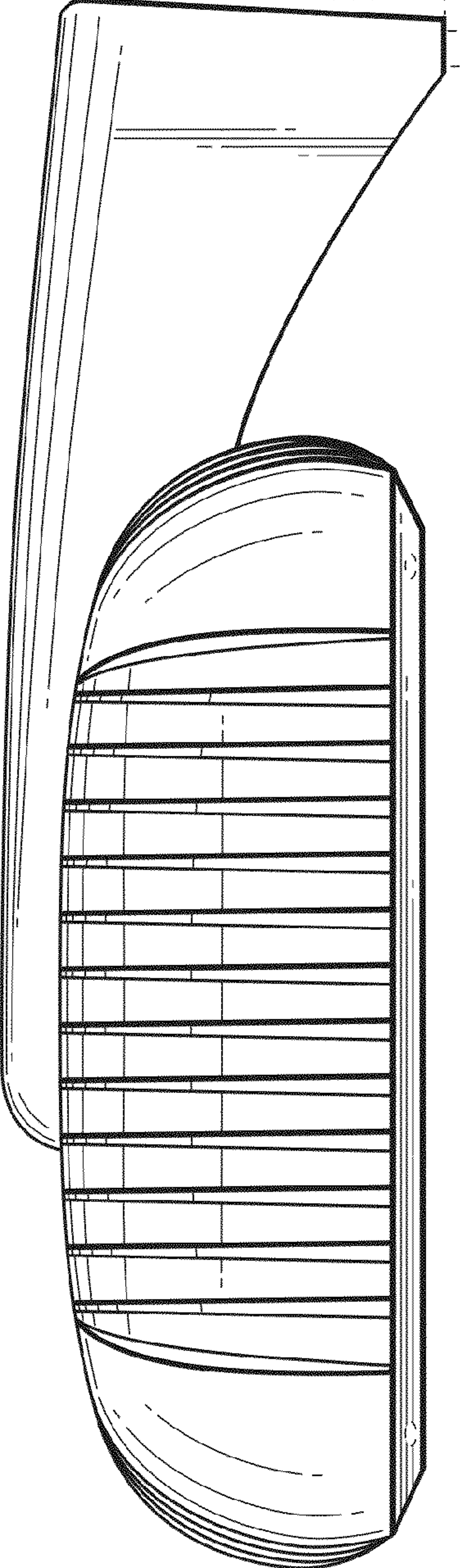


FIG. 4

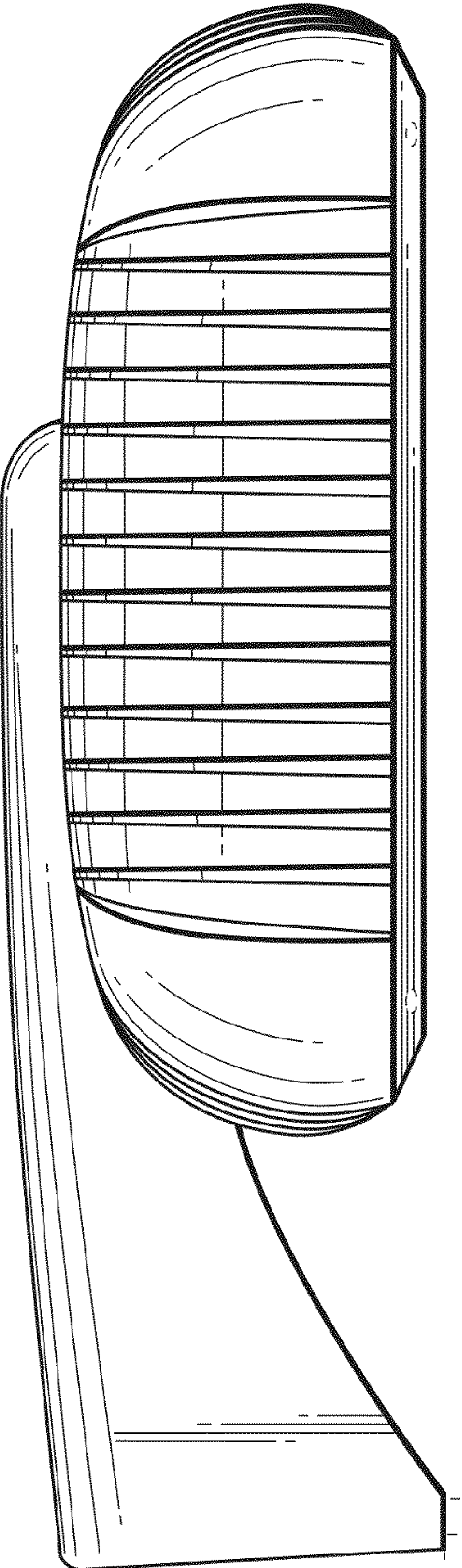


FIG. 5

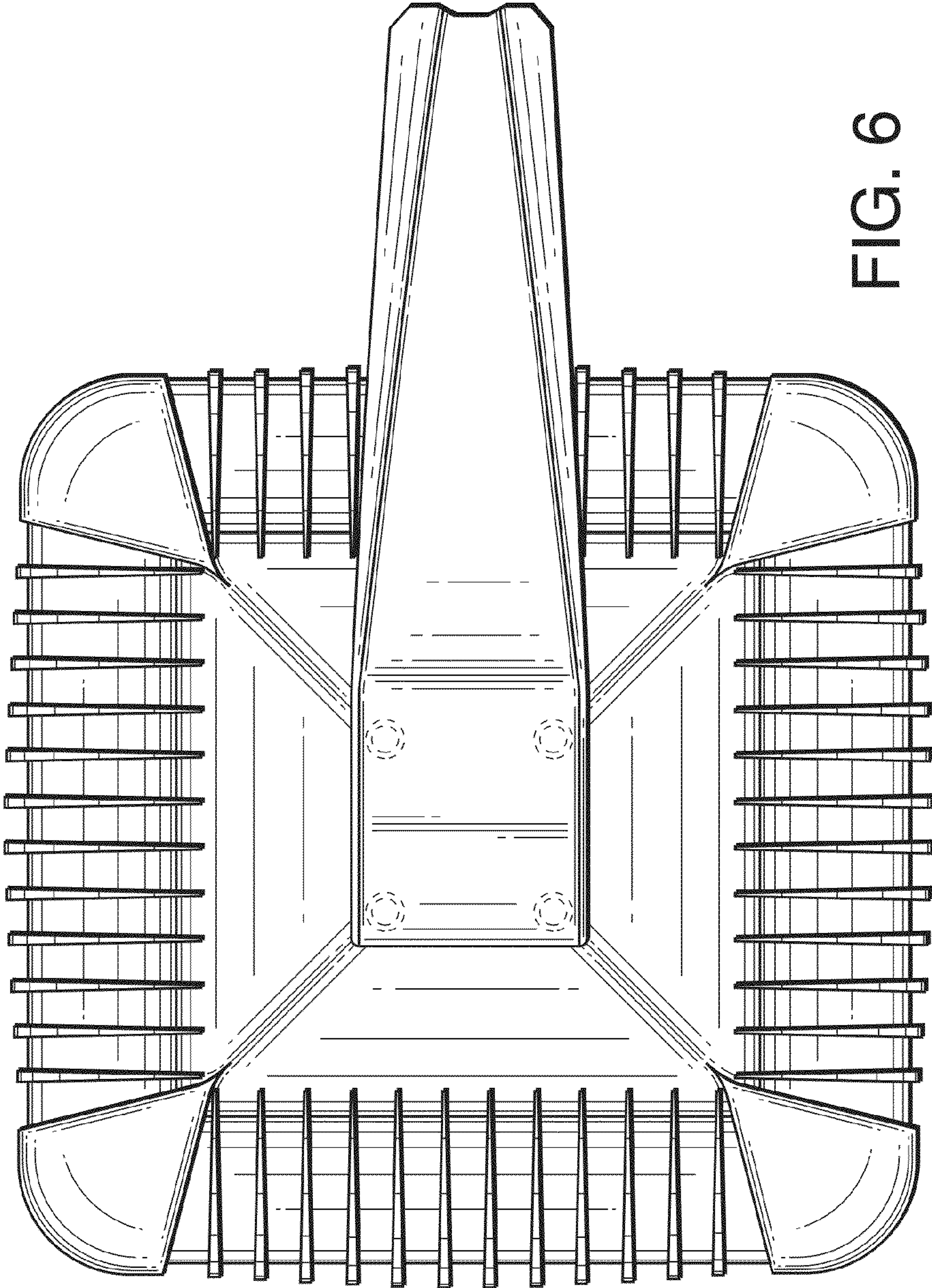


FIG. 6

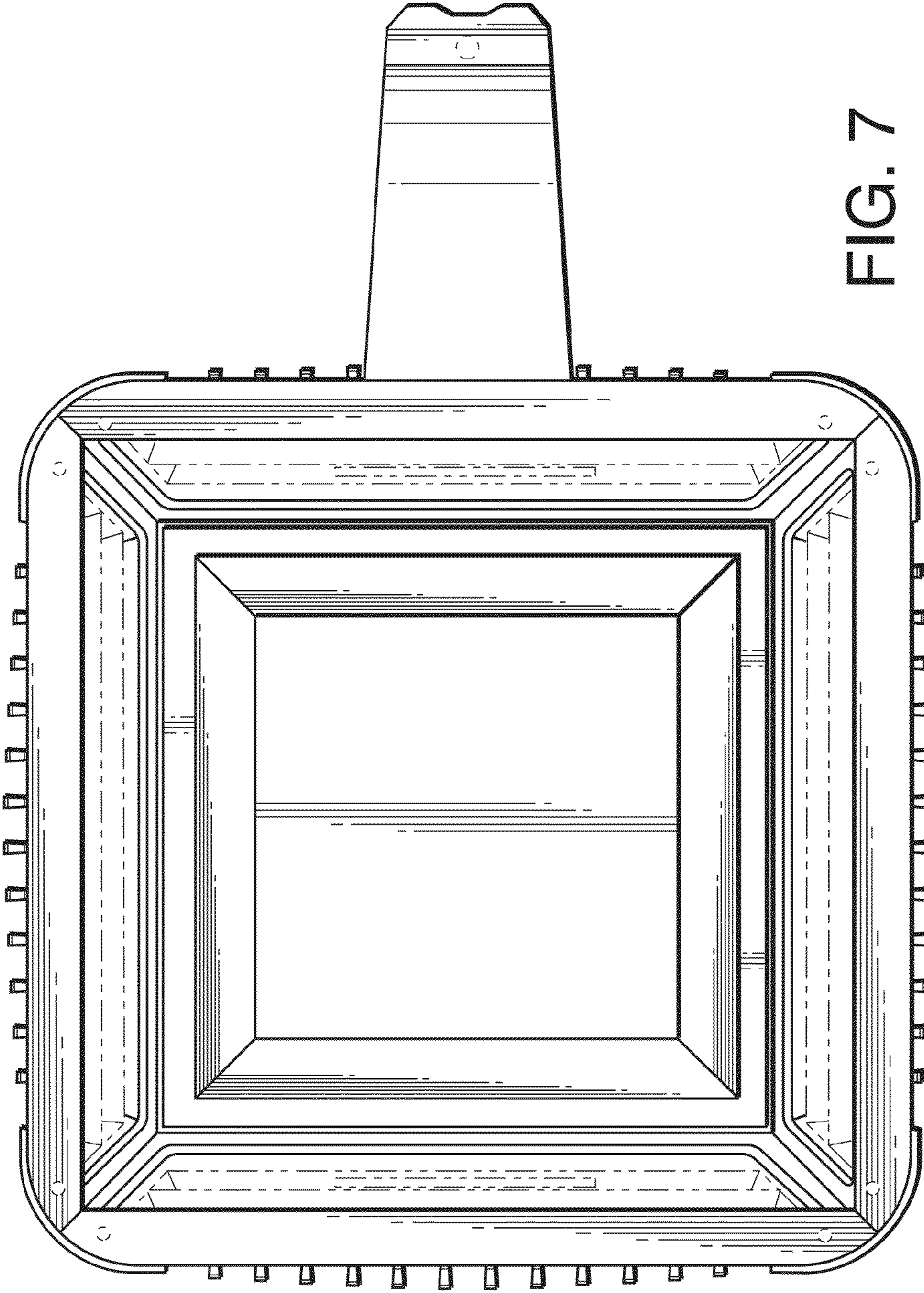


FIG. 7