



US00D676179S

(12) **United States Design Patent**  
**Sandell et al.**

(10) **Patent No.:** **US D676,179 S**

(45) **Date of Patent:** **\*\* Feb. 12, 2013**

(54) **LUMINAIRE**

(75) Inventors: **Donald R. Sandell**, San Jose, CA (US);  
**Timothy Monroe**, Lincoln, CA (US);  
**David P. Zizzi**, Atlanta, GA (US); **Philip**  
**Sieczkowski**, Lawrenceville, GA (US);  
**Beate B. Trickett**, Conyers, GA (US)

(73) Assignee: **ABL IP Holding LLC**, Conyers, GA  
(US)

(\*\*) Term: **14 Years**

(21) Appl. No.: **29/400,622**

(22) Filed: **Aug. 31, 2011**

(51) **LOC (9) Cl.** ..... **26-03**

(52) **U.S. Cl.** ..... **D26/85; D26/92**

(58) **Field of Classification Search** ..... D26/71-92;  
362/249.01-249.06, 294, 373, 431  
See application file for complete search history.

(56) **References Cited**

**U.S. PATENT DOCUMENTS**

D210,907 S	4/1968	Villa	
D319,319 S	8/1991	Von Kluck	
D321,950 S	11/1991	Enthoven	
D334,995 S *	4/1993	Schreder	D26/87
5,450,302 A	9/1995	Maase et al.	
D385,643 S	10/1997	Brohard et al.	
D432,700 S *	10/2000	Avila et al.	D26/87
6,290,376 B1 *	9/2001	Gutierrez et al.	362/371
D456,926 S	5/2002	Gaskins et al.	
D465,050 S	10/2002	Crelin	
D465,868 S	11/2002	Gaskins et al.	
D482,485 S *	11/2003	Benghozi	D26/85
6,957,903 B2	10/2005	Arakawa et al.	
D531,342 S *	10/2006	Kauffman et al.	D26/68
D555,821 S *	11/2007	Russello et al.	D26/71
D556,357 S	11/2007	Butler et al.	
7,296,914 B1 *	11/2007	Russello et al.	362/285
D556,935 S *	12/2007	Quioque et al.	D26/71
D562,491 S *	2/2008	DiCola	D26/85
D567,987 S	4/2008	Khubani	
D568,521 S	5/2008	Compton	

7,369,056 B2 5/2008 McCollough, Jr.  
D573,741 S 7/2008 Lou  
D577,847 S 9/2008 Ruud et al.

(Continued)

*Primary Examiner* — Clare E Heflin

(74) *Attorney, Agent, or Firm* — Kilpatrick Townsend & Stockton LLP

(57) **CLAIM**

The ornamental design for a luminaire, as shown and described.

**DESCRIPTION**

FIG. 1 is a top perspective view of a luminaire showing a first embodiment of the new design;

FIG. 2 is a bottom perspective view of the luminaire of FIG. 1.

FIG. 3 is a right side elevation view of the luminaire of FIG. 1.

FIG. 4 is a left side elevation view of the luminaire of FIG. 1.

FIG. 5 is a front elevation view of the luminaire of FIG. 1.

FIG. 6 is a top plan view of the luminaire of FIG. 1.

FIG. 7 is a rear elevation view of the luminaire of FIG. 1.

FIG. 8 is a bottom plan view of the luminaire of FIG. 1.

FIG. 9 is a top perspective view of a luminaire showing a second embodiment of the new design;

FIG. 10 is a bottom perspective view of the luminaire of FIG. 9.

FIG. 11 is a right side elevation view of the luminaire of FIG. 9.

FIG. 12 is a left side elevation view of the luminaire of FIG. 9.

FIG. 13 is a front elevation view of the luminaire of FIG. 9.

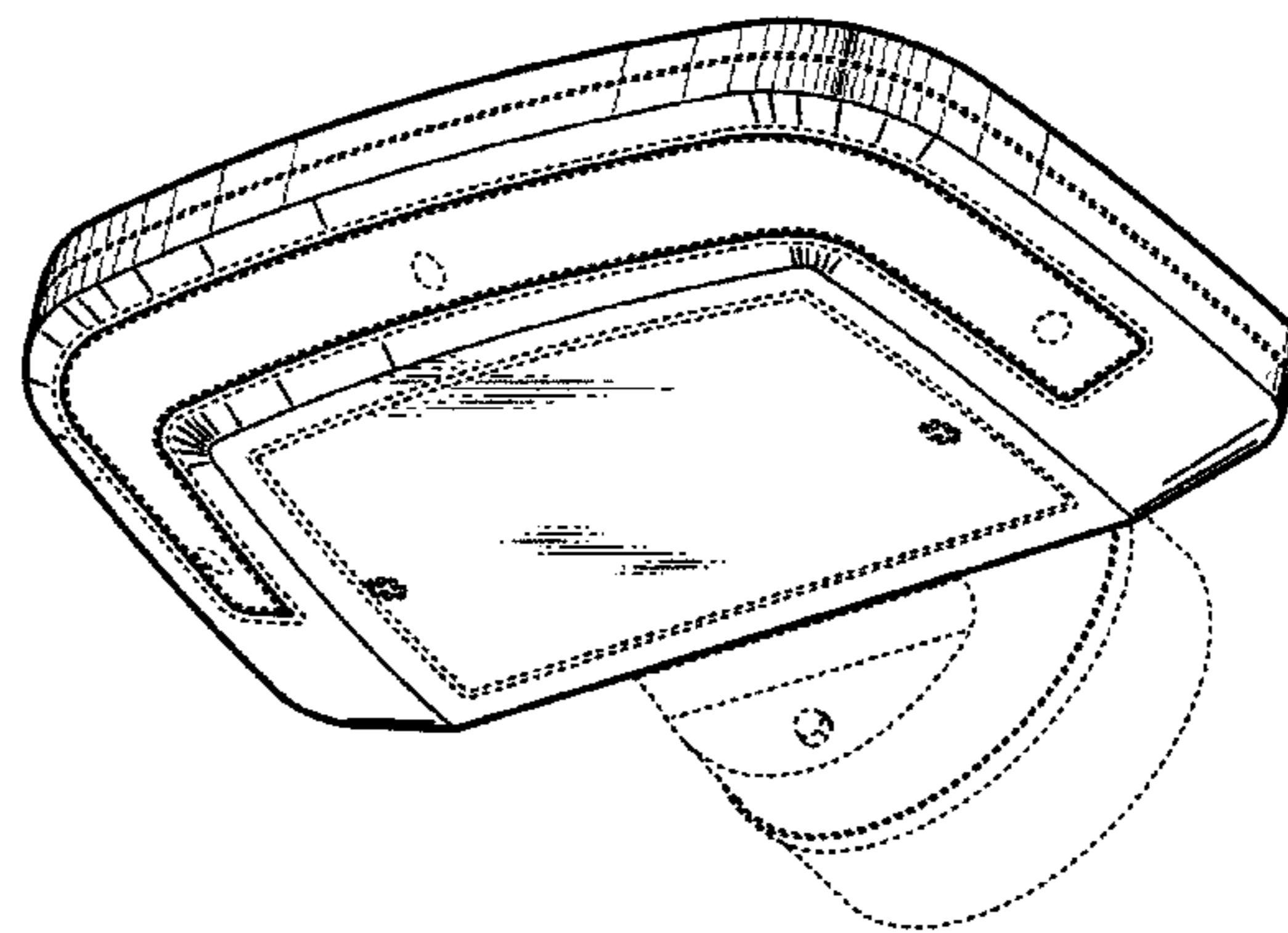
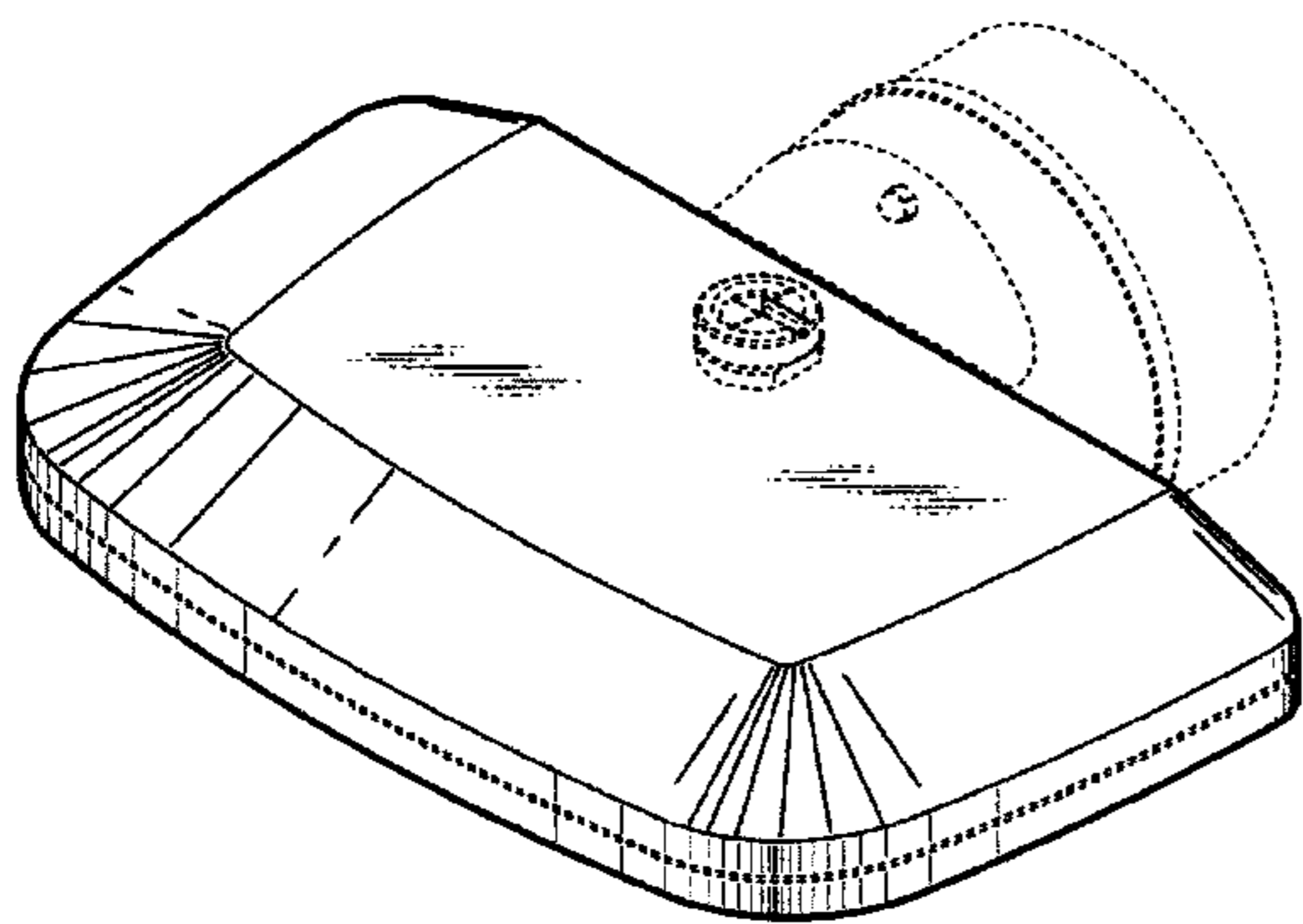
FIG. 14 is a top plan view of the luminaire of FIG. 9.

FIG. 15 is a rear elevation view of the luminaire of FIG. 9; and,

FIG. 16 is a bottom plan view of the luminaire of FIG. 9.

Portions or features of the luminaire not shown in the drawings form no part of the claimed design. The broken lines in the drawings form no part of the claimed design.

**1 Claim, 8 Drawing Sheets**



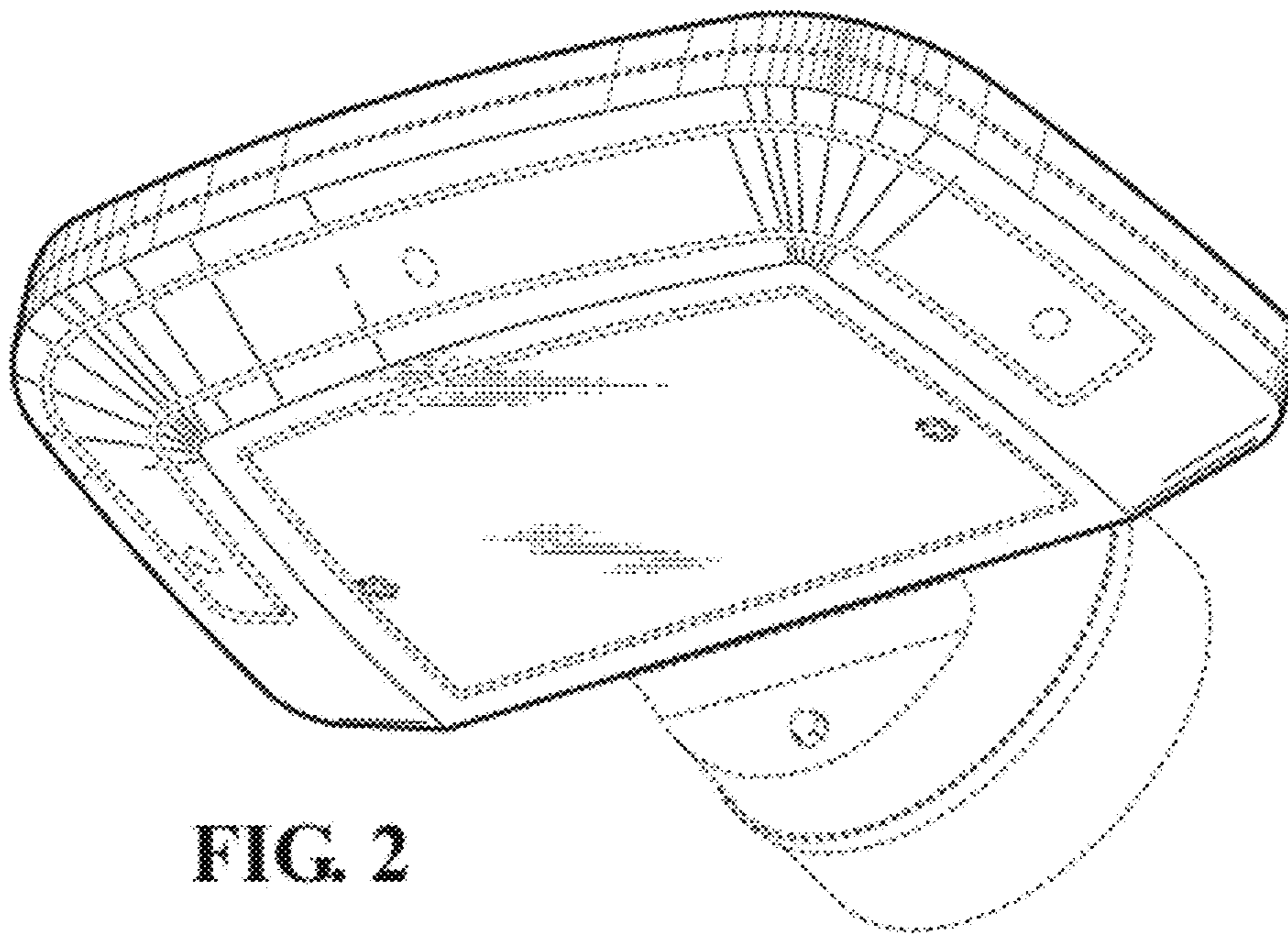
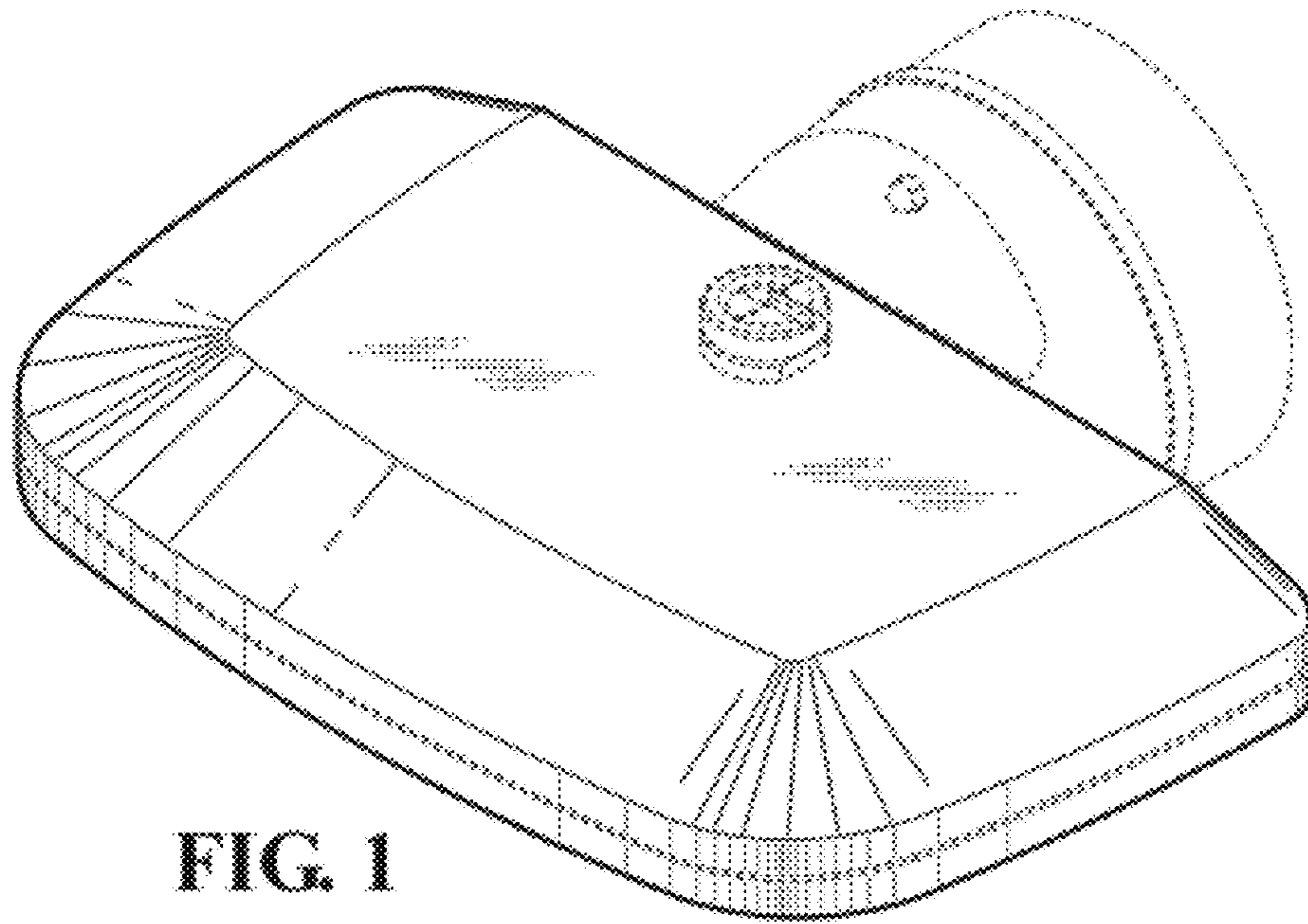
# US D676,179 S

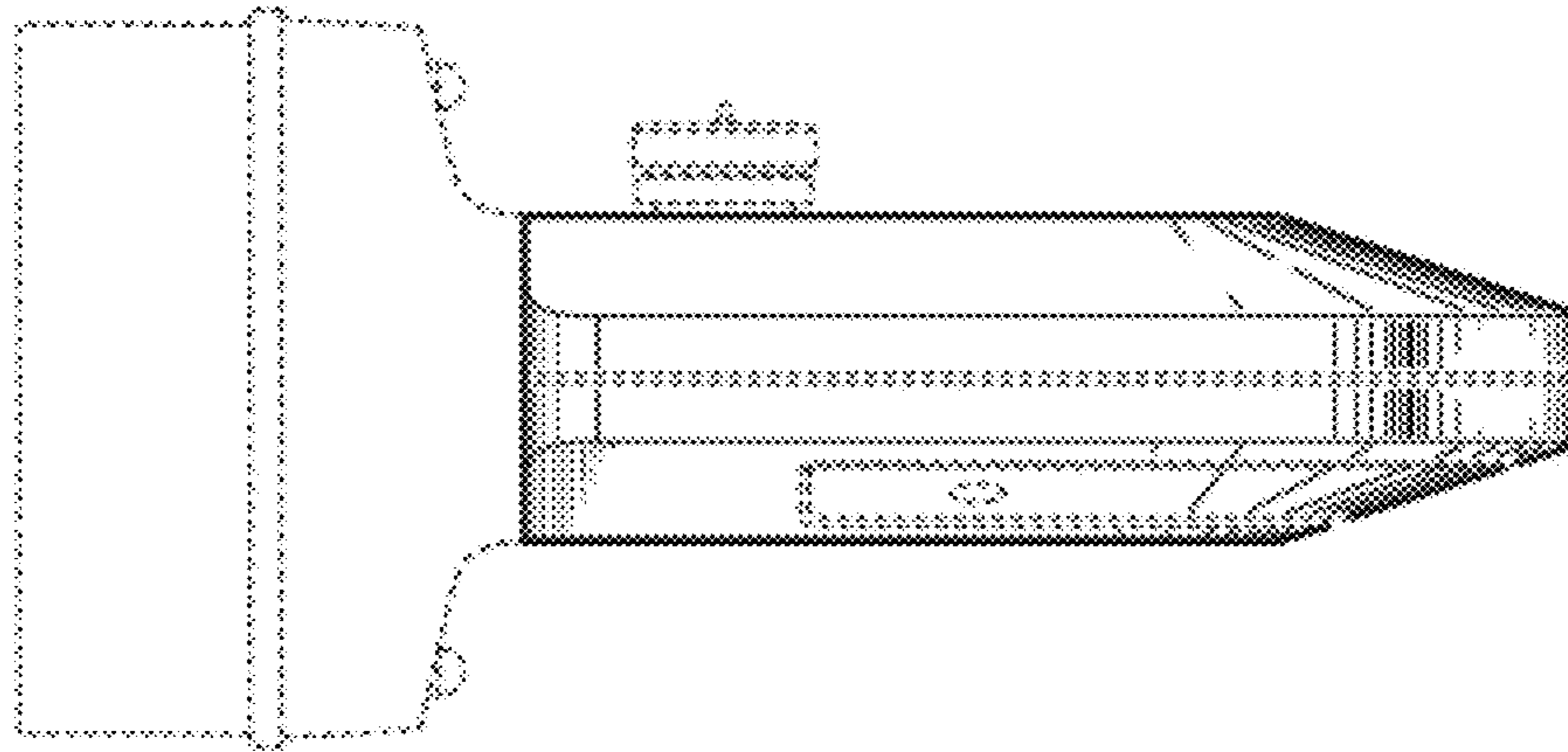
Page 2

---

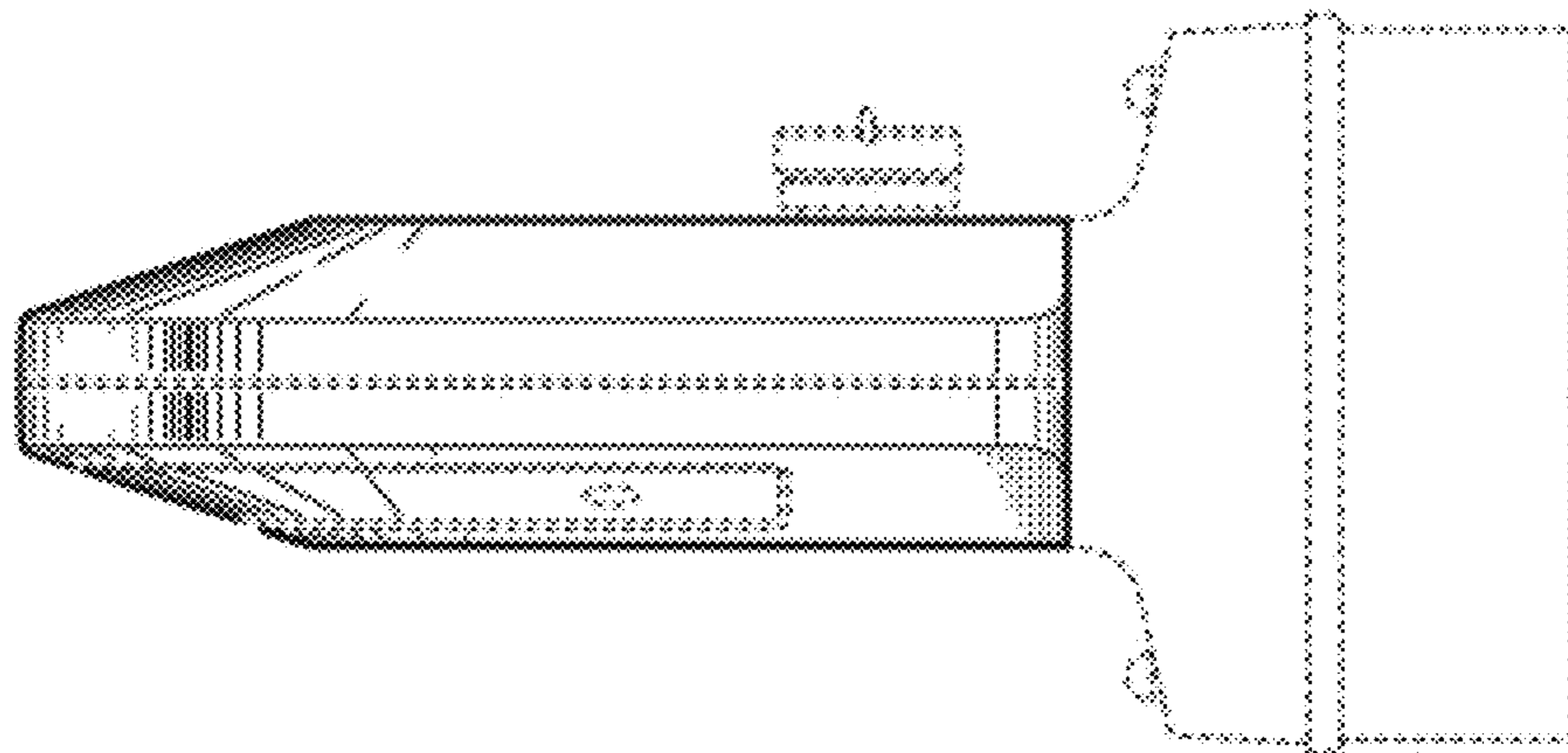
U.S. PATENT DOCUMENTS							
D579,141	S	10/2008	Guercio	7,896,521	B2	3/2011	Becker et al.
D587,839	S	3/2009	Guercio	7,922,372	B2	4/2011	Li
D591,445	S	4/2009	Guercio	D653,377	S *	1/2012	Guercio ..... D26/85
7,547,876	B2	6/2009	Flaherty	D657,485	S	4/2012	Kong et al.
7,569,802	B1	8/2009	Mullins	2004/0188593	A1	9/2004	Mullins et al.
D609,384	S	2/2010	Gray et al.	2008/0123340	A1	5/2008	McClellan
7,661,844	B2	2/2010	Sekiguchi et al.	2008/0191897	A1	8/2008	McCollough
7,723,862	B1	5/2010	Spillman et al.	2009/0034269	A1	2/2009	Li
7,726,840	B2	6/2010	Pearson et al.	2009/0323332	A1	12/2009	Lo et al.
7,731,389	B2	6/2010	Draganov et al.	2010/0103668	A1	4/2010	Lueken et al.
7,775,680	B2	8/2010	Chang	2010/0110671	A1	5/2010	Gordin et al.
D624,685	S *	9/2010	Ham et al. .... D26/71	2010/0135008	A1	6/2010	Teng
7,828,463	B1	11/2010	Willis	2010/0135011	A1	6/2010	Richardson
7,841,734	B2	11/2010	Wilcox	2010/0214780	A1	8/2010	Villard
D634,874	S *	3/2011	Yamada et al. .... D26/71	2010/0271178	A1	10/2010	Ahamad
D634,878	S	3/2011	Guercio et al.	2010/0287081	A1	11/2010	Walters et al.

\* cited by examiner





**FIG. 3**



**FIG. 4**

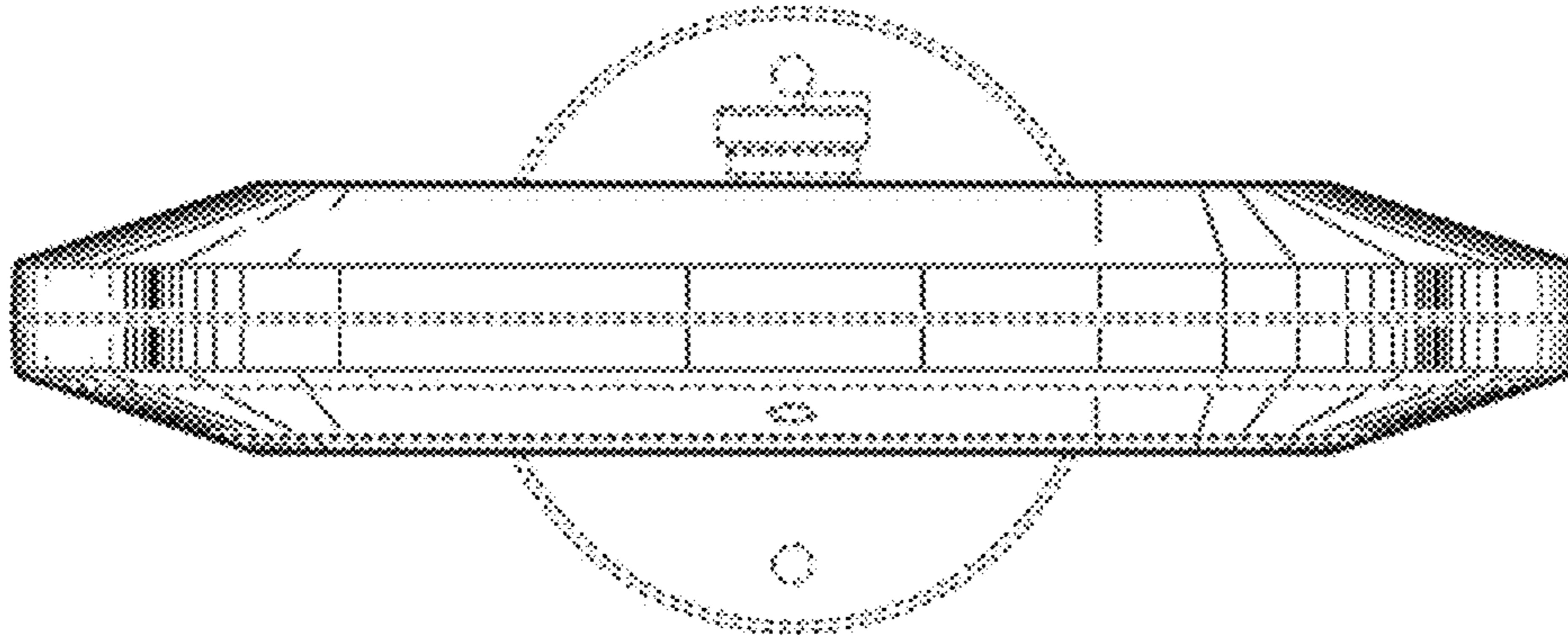


FIG. 5

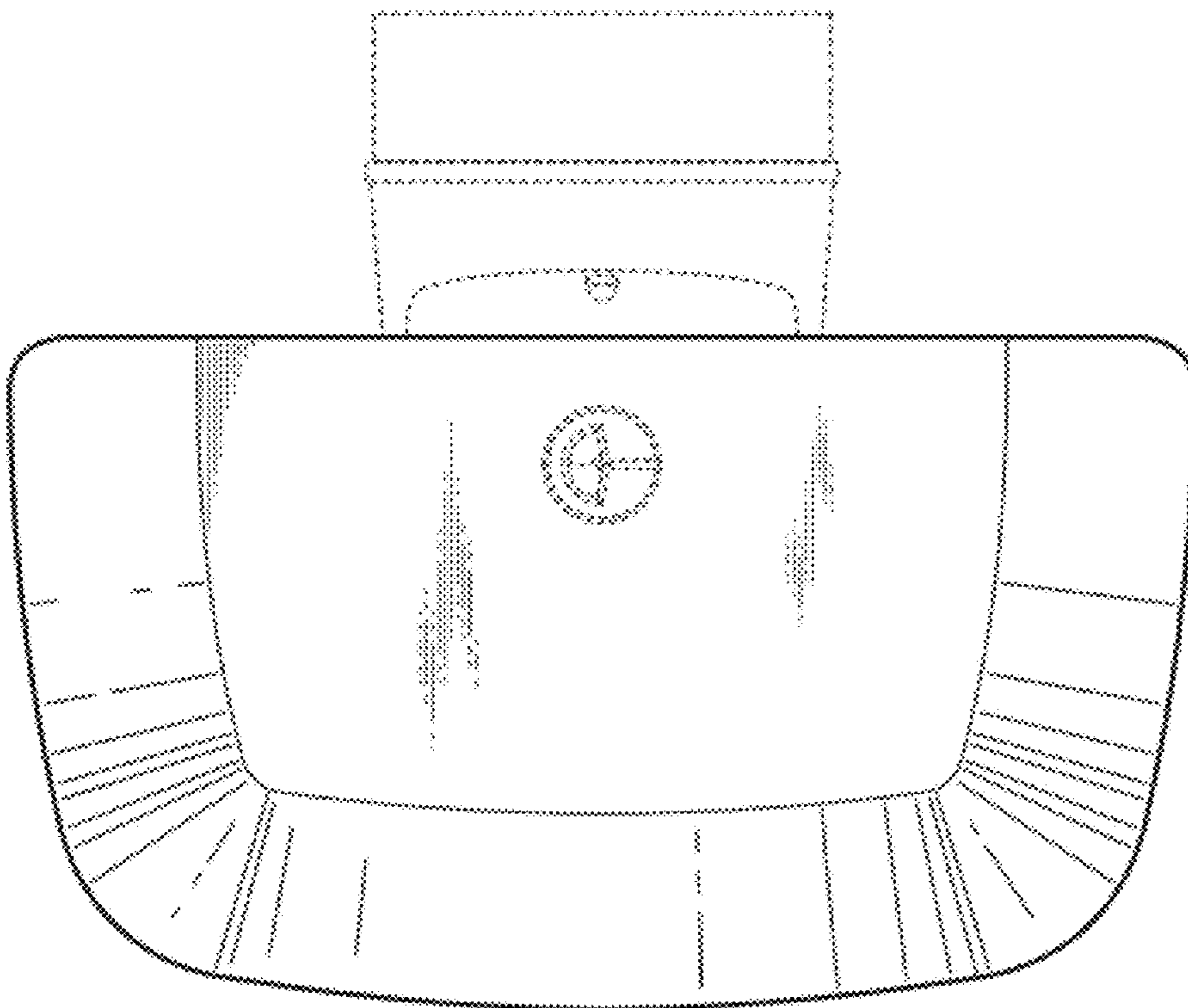


FIG. 6

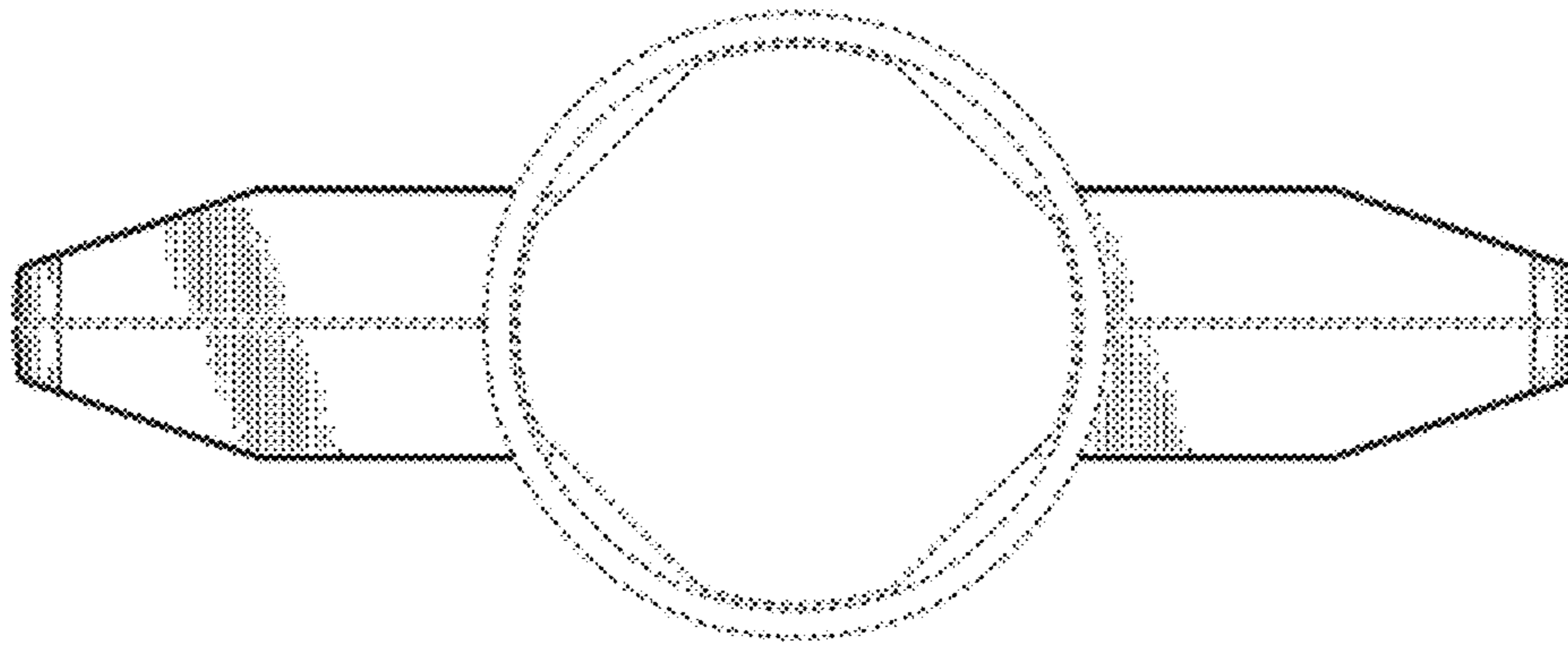


FIG. 7

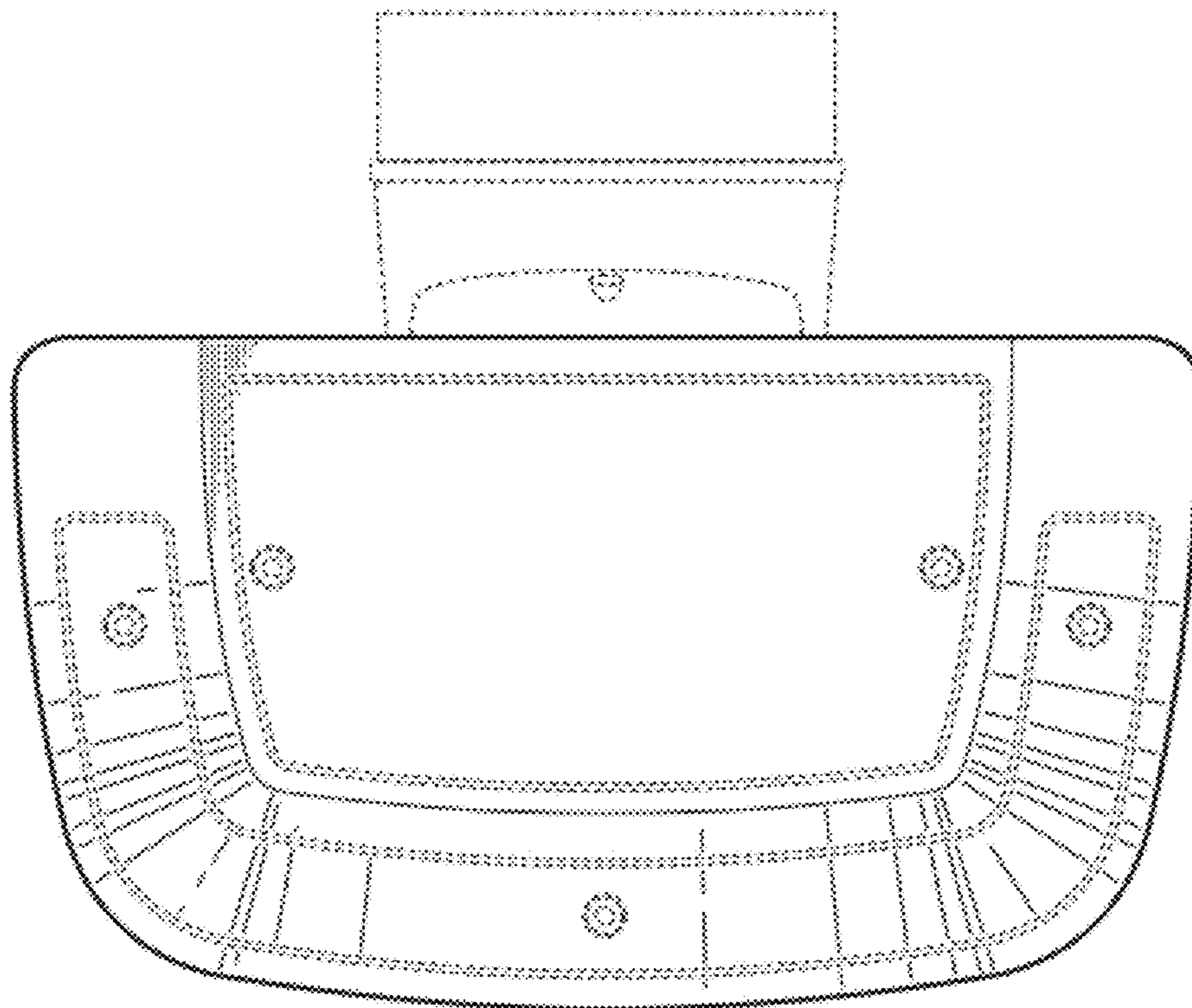
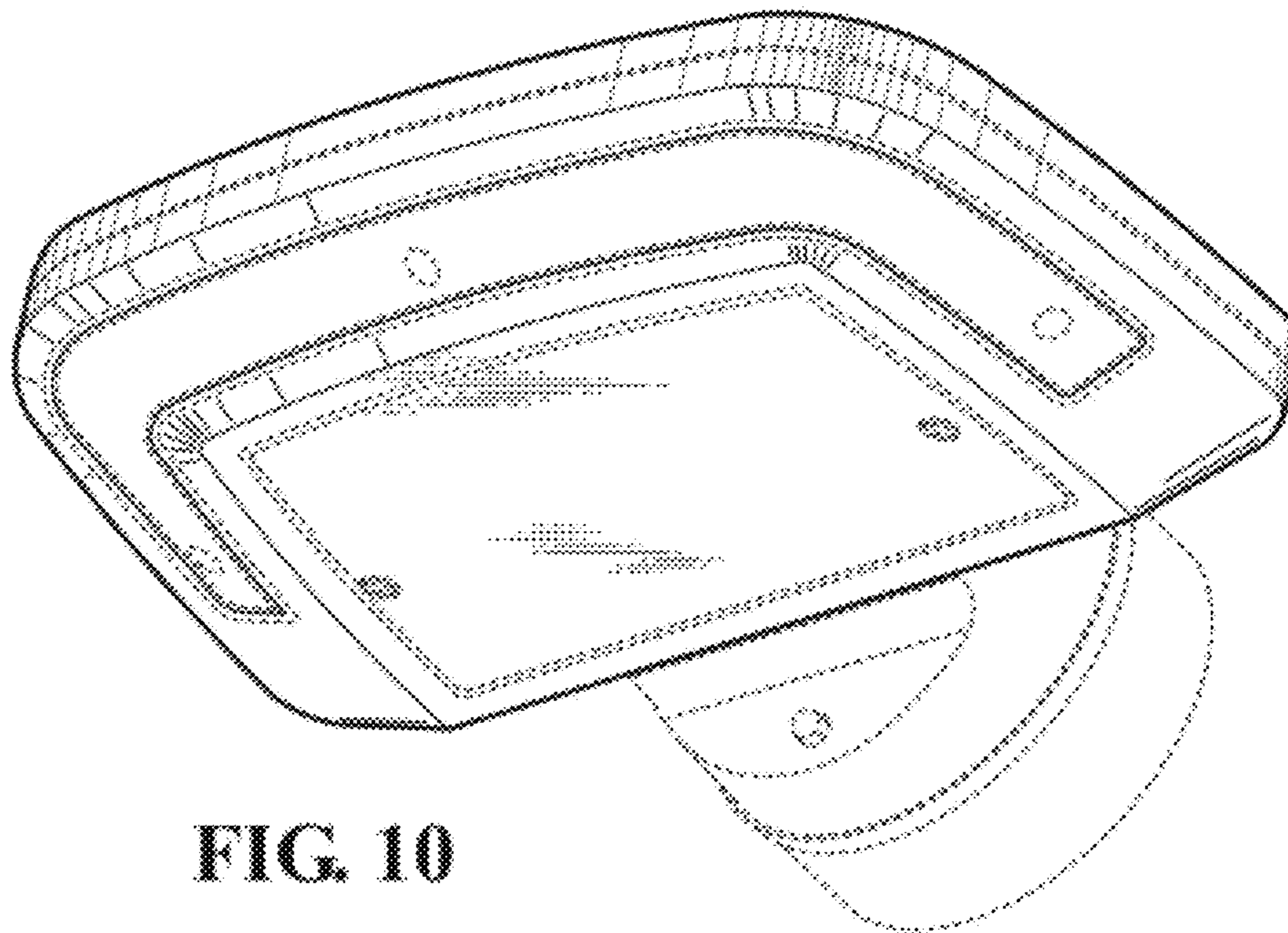
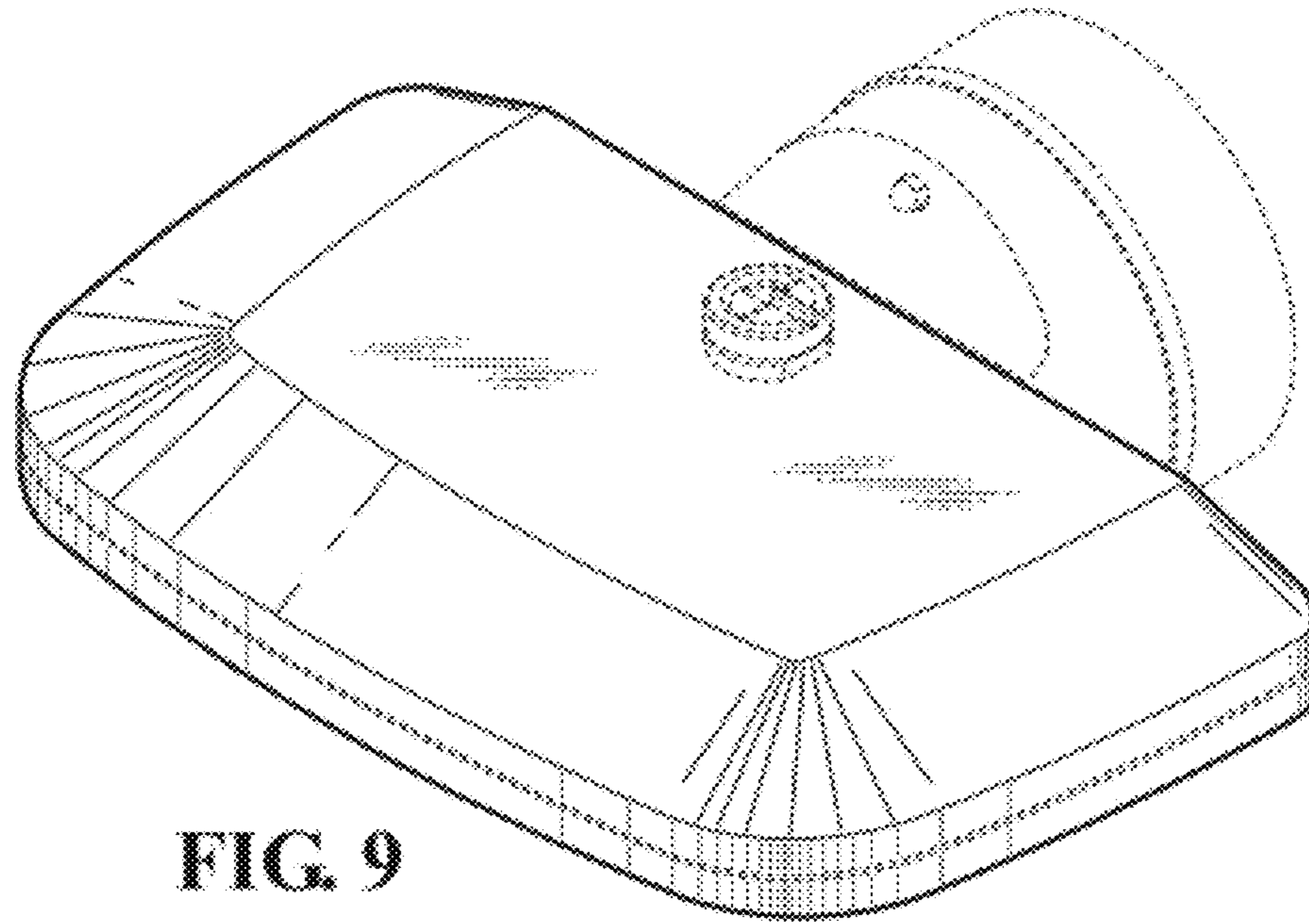
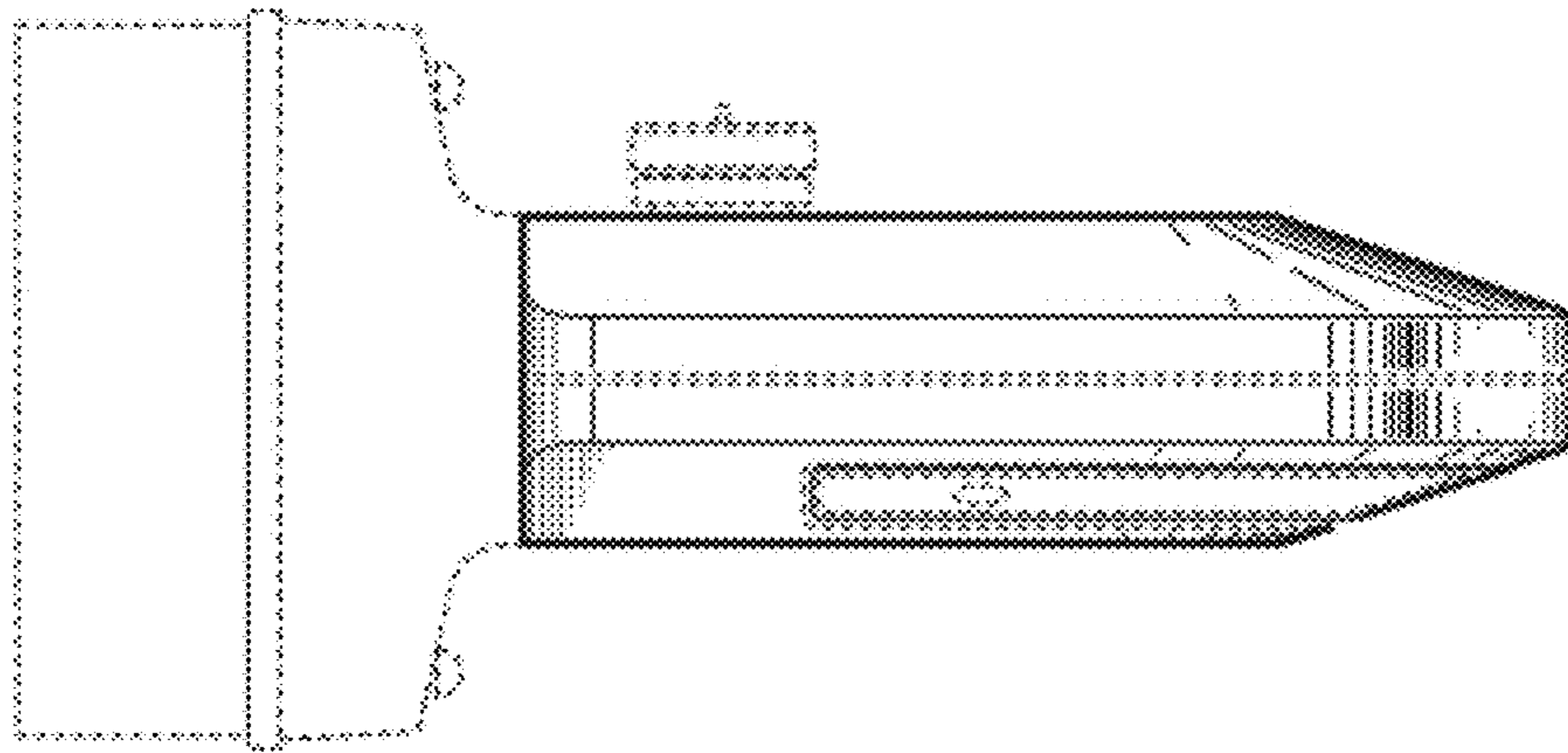
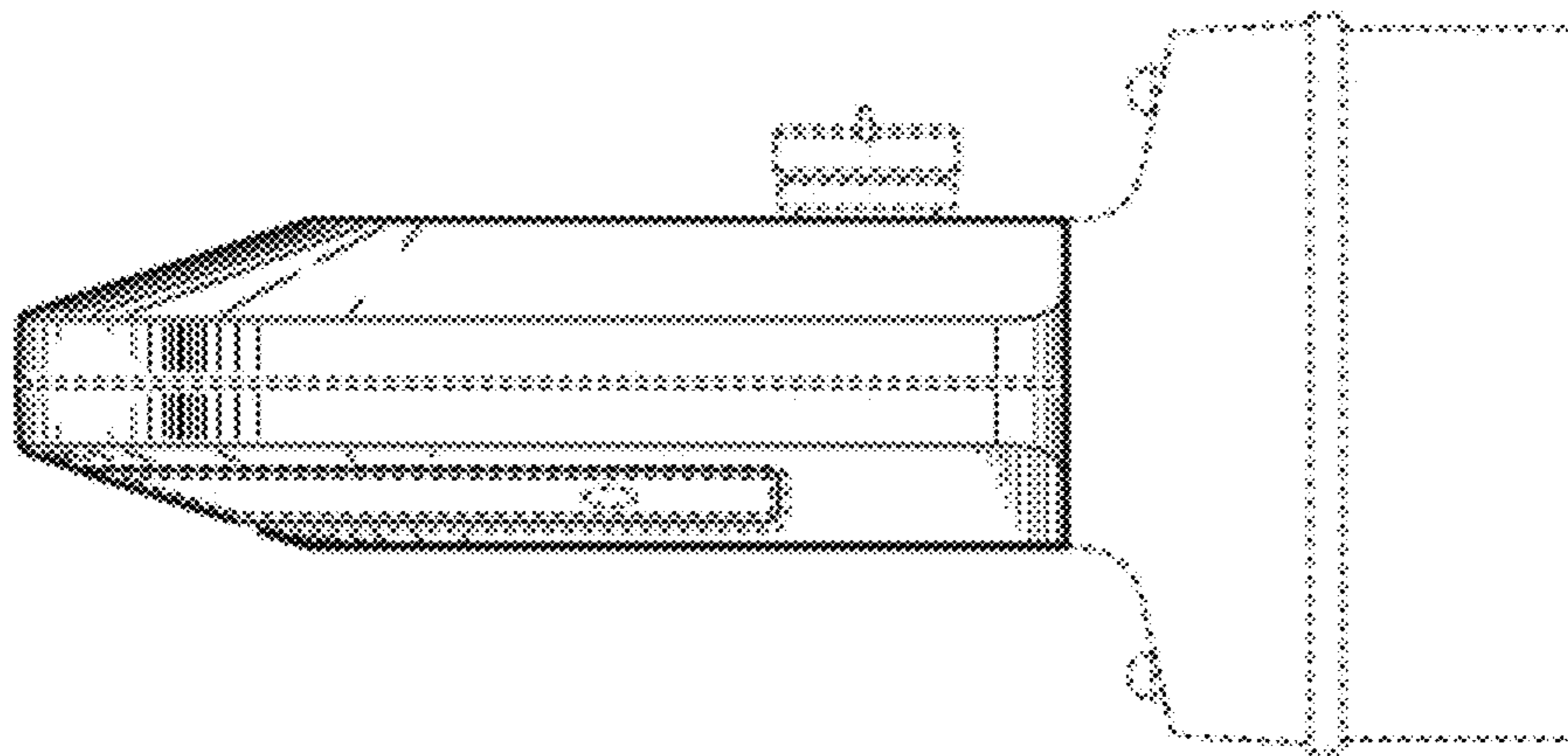


FIG. 8





**FIG. 11**



**FIG. 12**



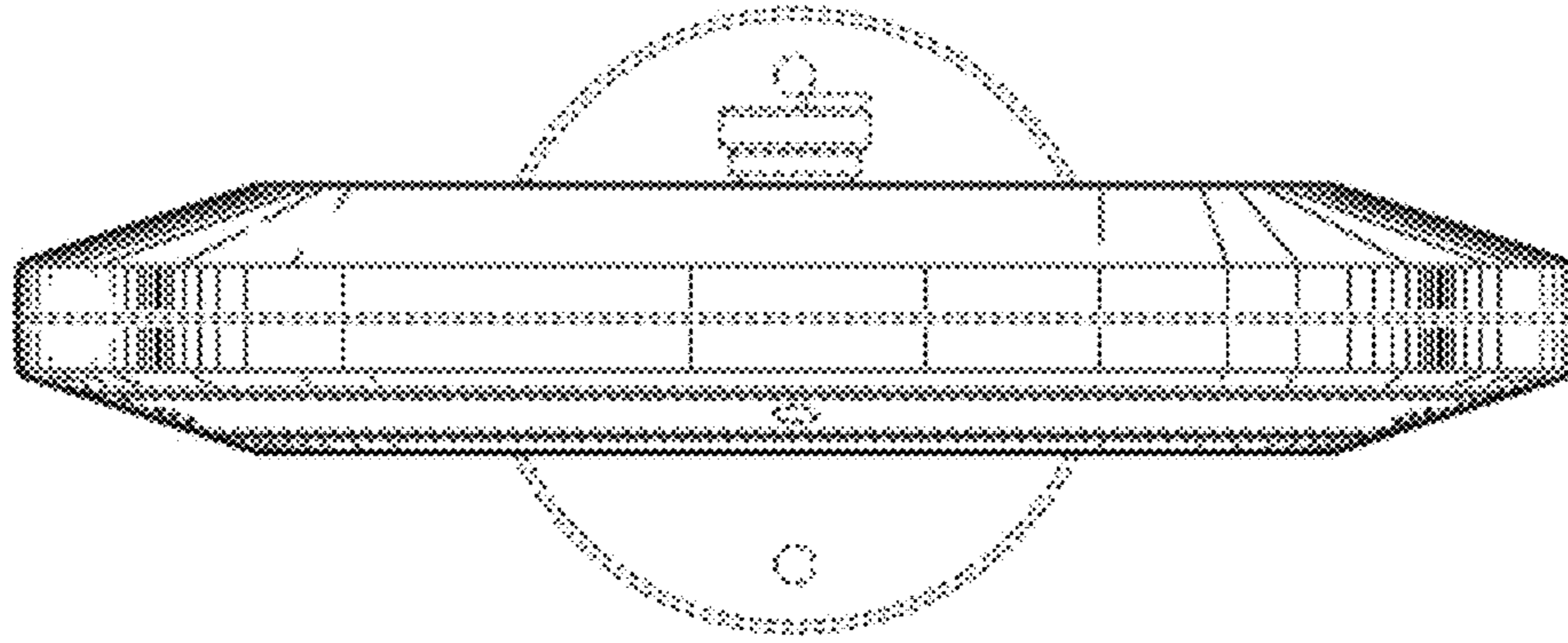


FIG. 13

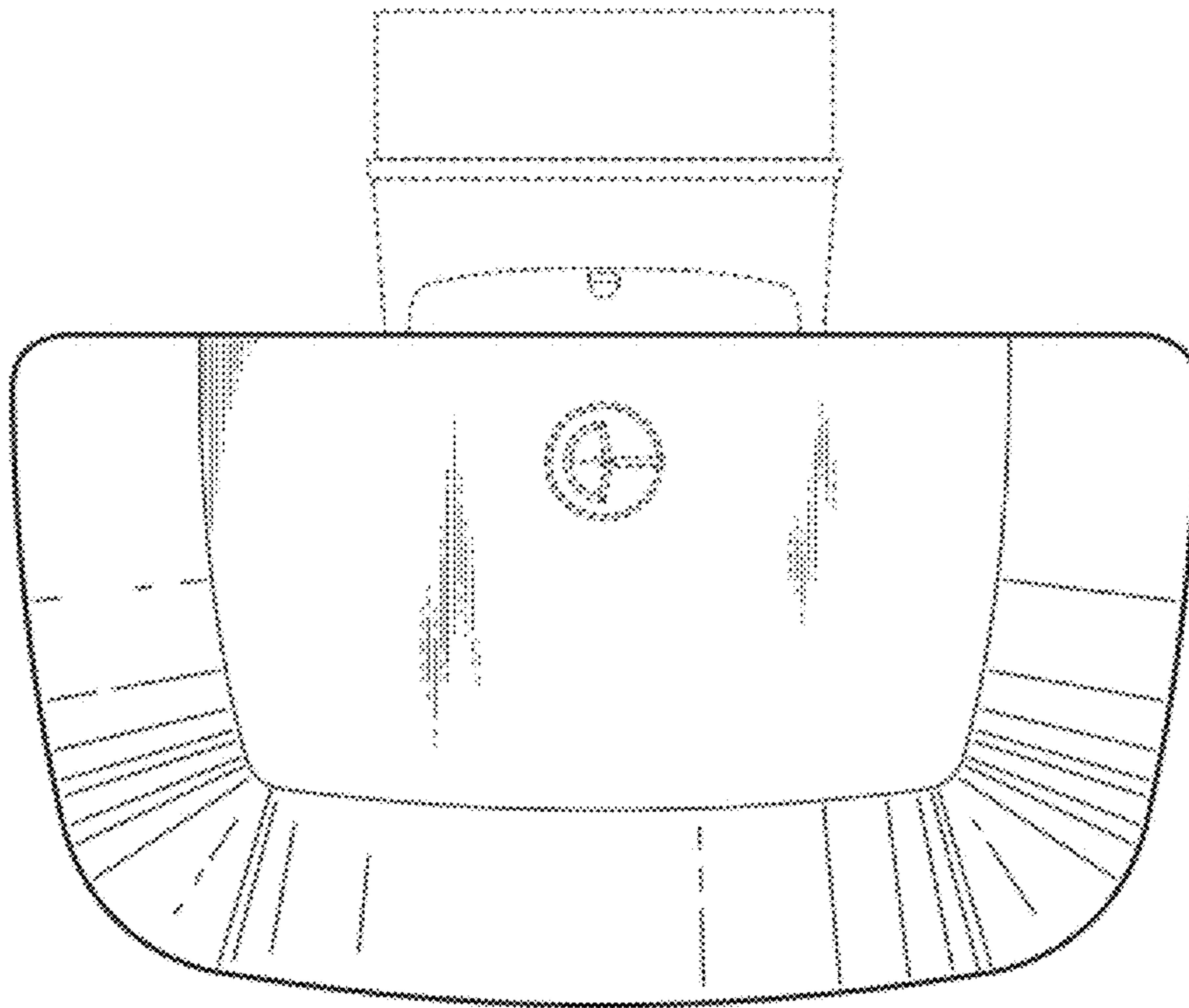


FIG. 14

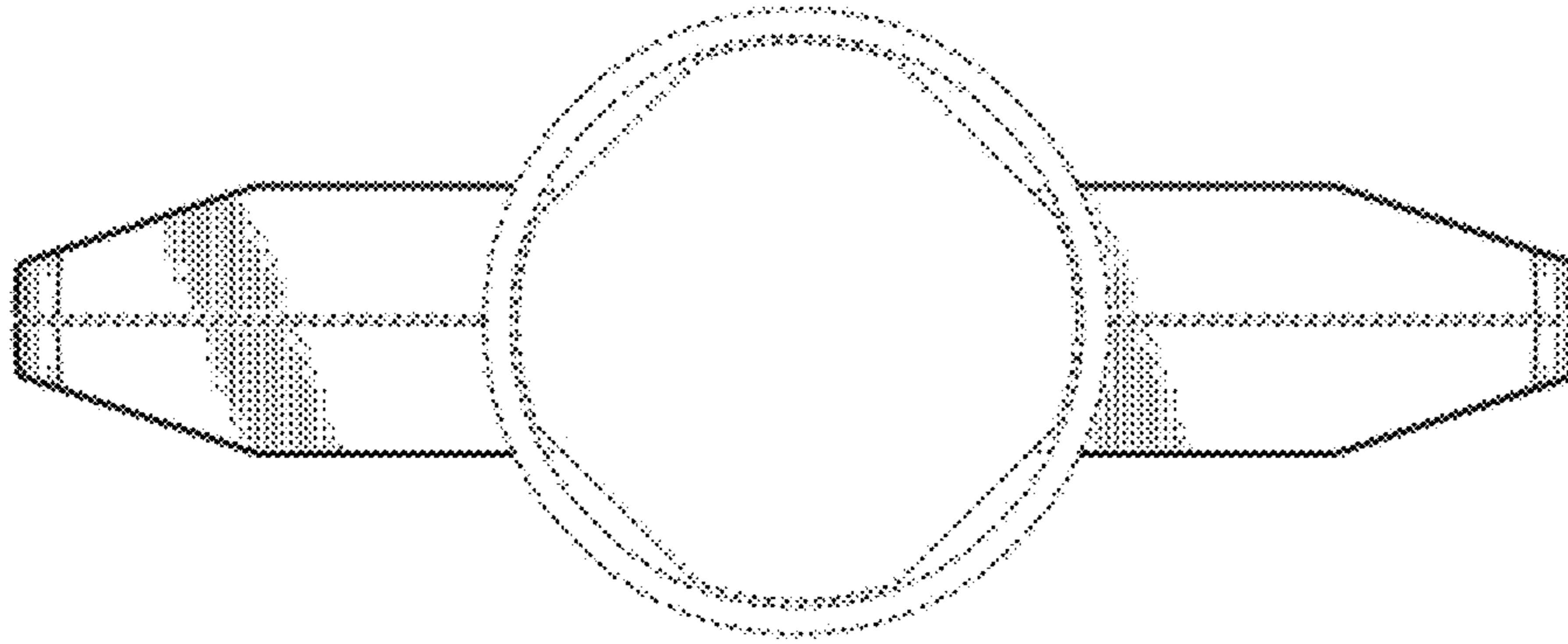


FIG. 15

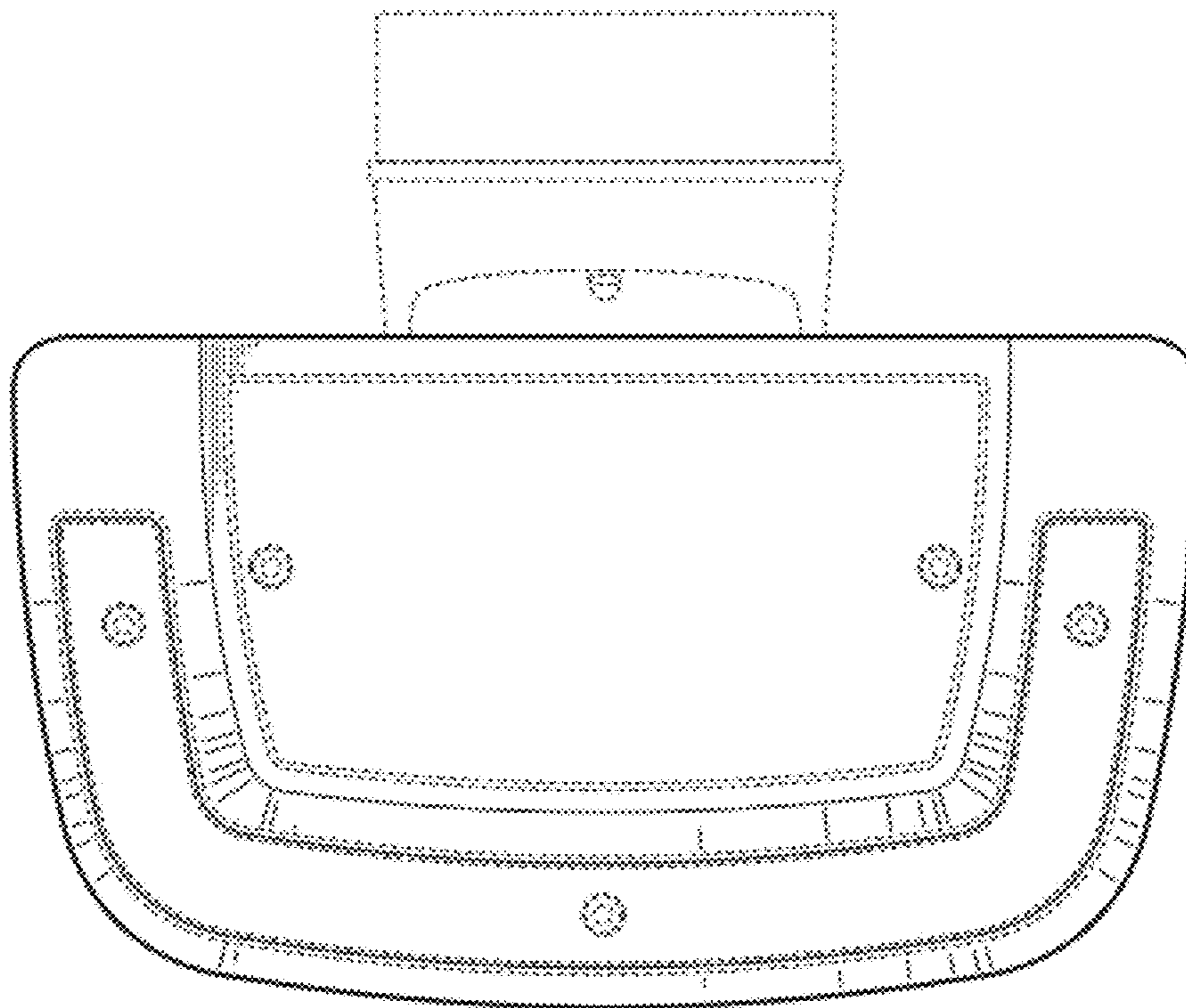


FIG. 16