



US00D676178S

(12) **United States Design Patent**
Akinrele et al.

(10) **Patent No.:** **US D676,178 S**
(45) **Date of Patent:** **** Feb. 12, 2013**

(54) **LUMINAIRE FOR ROAD LIGHTING**

(75) Inventors: **Dylan Akinrele**, Union, NJ (US); **Kevin Anthony Baboolal**, Brooklyn, NY (US)

(73) Assignee: **Koninklijke Philips Electronics N.V.**, Eindhoven (NL)

(**) Term: **14 Years**

(21) Appl. No.: **29/405,329**

(22) Filed: **Nov. 1, 2011**

(51) **LOC (9) Cl.** **26-05**

(52) **U.S. Cl.** **D26/71; D26/92**

(58) **Field of Classification Search** D26/61,
D26/63, 65, 67-71, 85, 92; 362/249.01-249.06,
362/294, 373, 431

See application file for complete search history.

(56) **References Cited**

U.S. PATENT DOCUMENTS

D437,958 S *	2/2001	Doron et al.	D26/71
D447,590 S *	9/2001	Raouf et al.	D26/71
D556,935 S *	12/2007	Quioque et al.	D26/71
D573,741 S *	7/2008	Lou	D26/71

D607,593 S *	1/2010	Yoo	D26/71
7,695,163 B2 *	4/2010	Yamada et al.	362/294
D617,033 S *	6/2010	Gaskins	D26/85
D634,878 S *	3/2011	Guercio et al.	D26/85
D636,920 S *	4/2011	Boissevain	D26/71
D648,885 S *	11/2011	Toratani	D26/71
D650,110 S *	12/2011	Zhu	D26/71
D660,496 S *	5/2012	Akdag et al.	D26/71
D662,244 S *	6/2012	Chen et al.	D26/71

* cited by examiner

Primary Examiner — Clare E Heflin

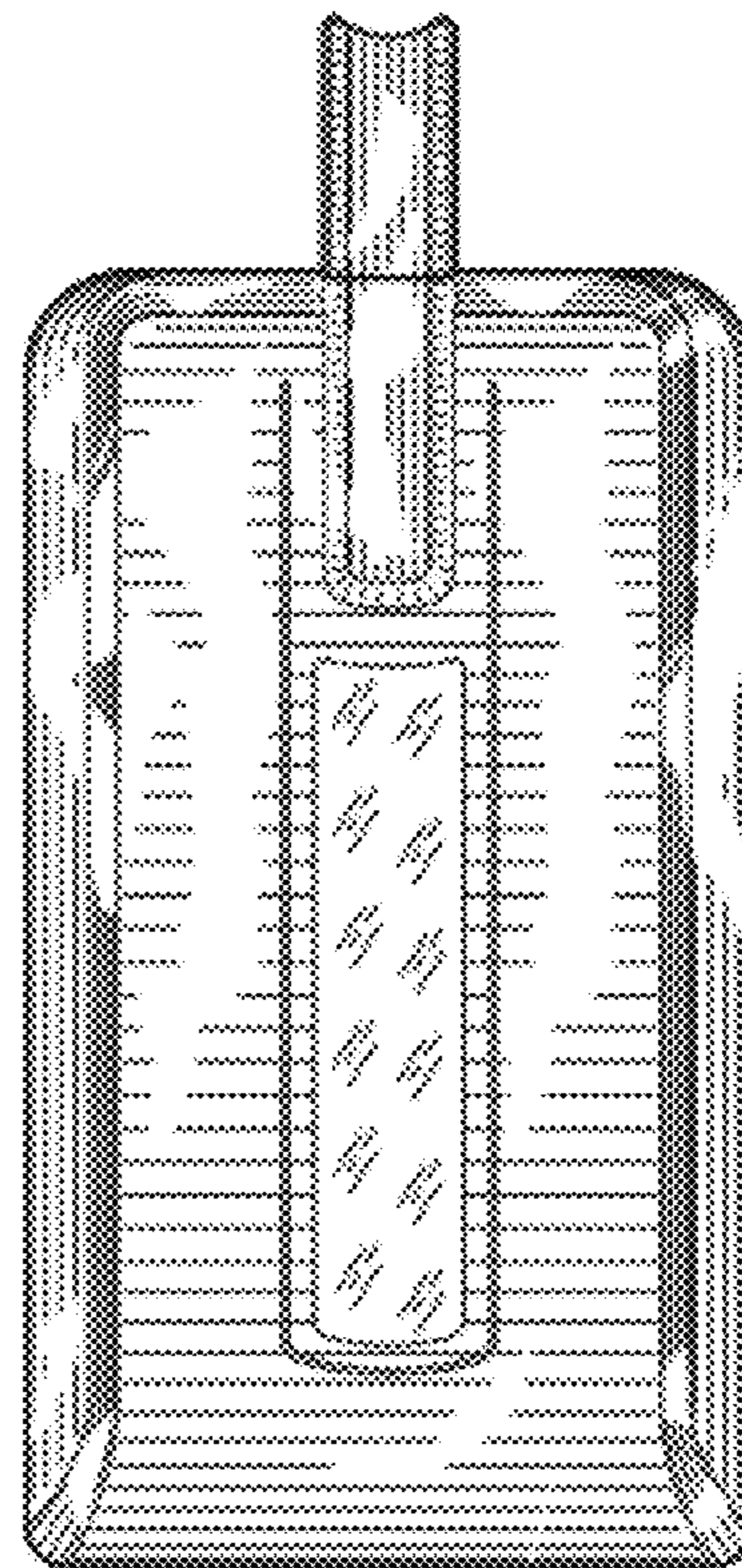
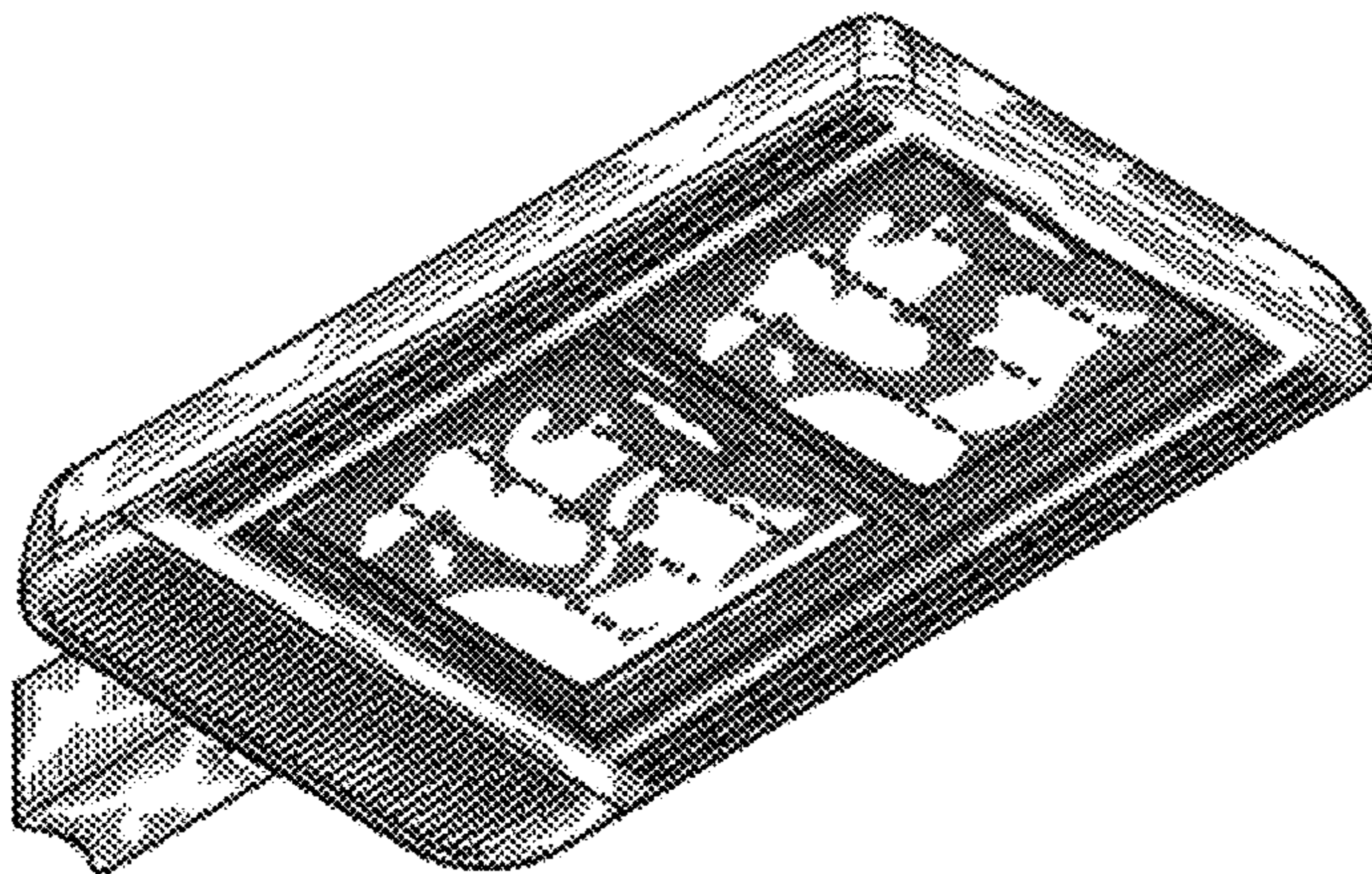
(57) **CLAIM**

The ornamental design for a luminaire for road lighting, as shown.

DESCRIPTION

FIG. 1 is a perspective view showing my design;
FIG. 2 is a front elevational view thereof;
FIG. 3 is a rear elevational view thereof;
FIG. 4 is a right side elevational view thereof;
FIG. 5 is a left side elevational view thereof;
FIG. 6 is a top plan, view thereof; and,
FIG. 7 is a bottom plan view thereof.

1 Claim, 4 Drawing Sheets



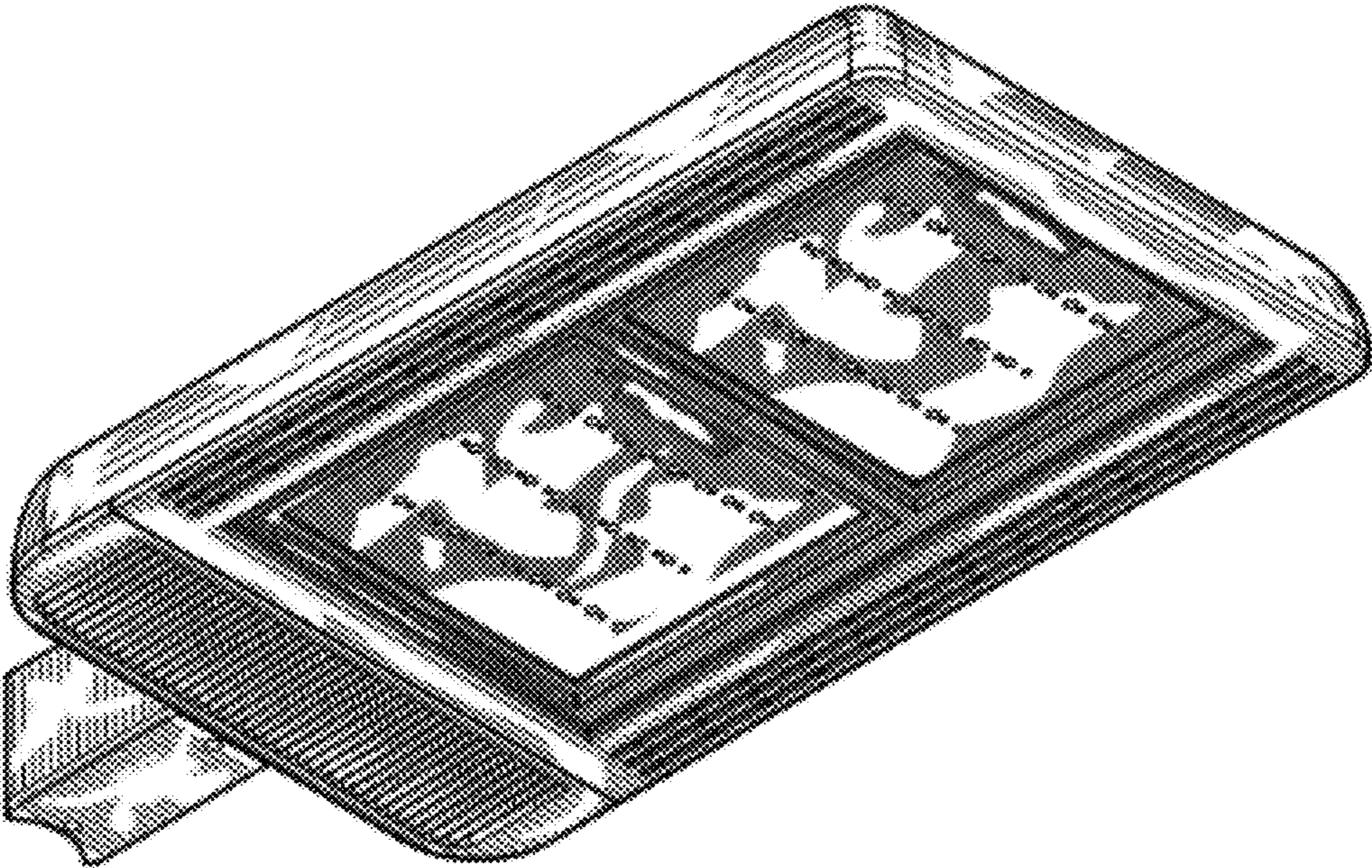


FIG. 1

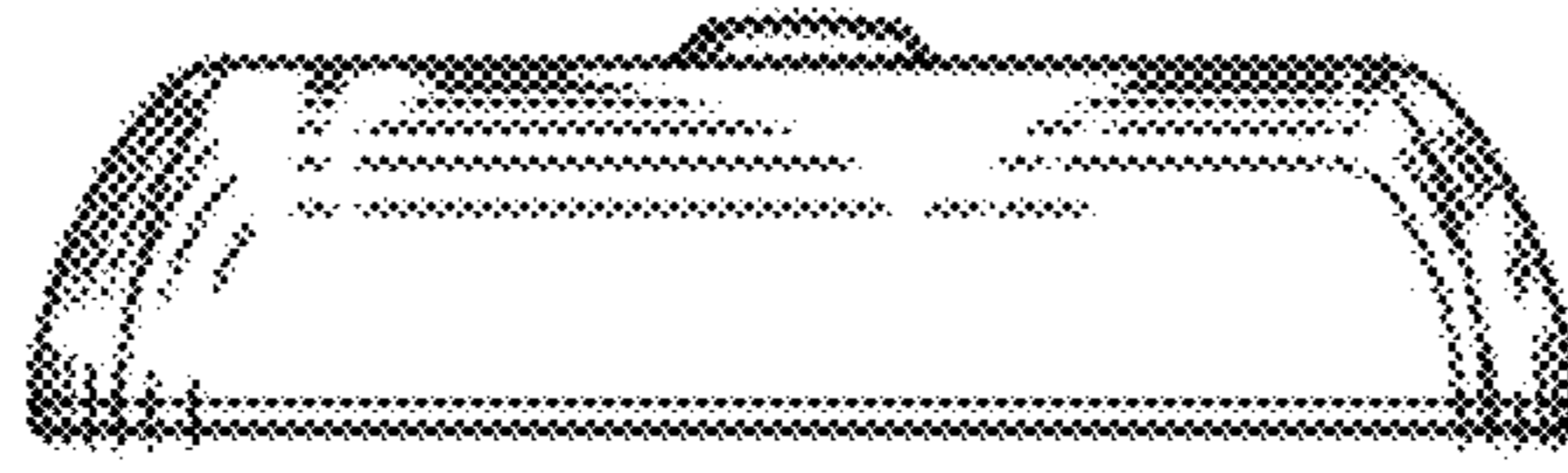


FIG. 2

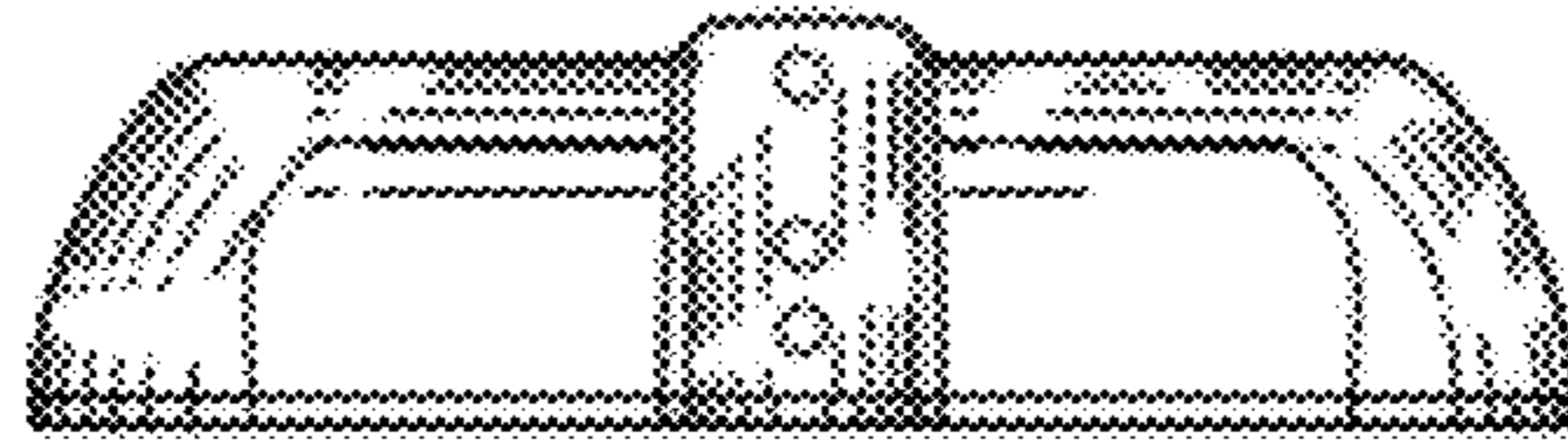


FIG. 3

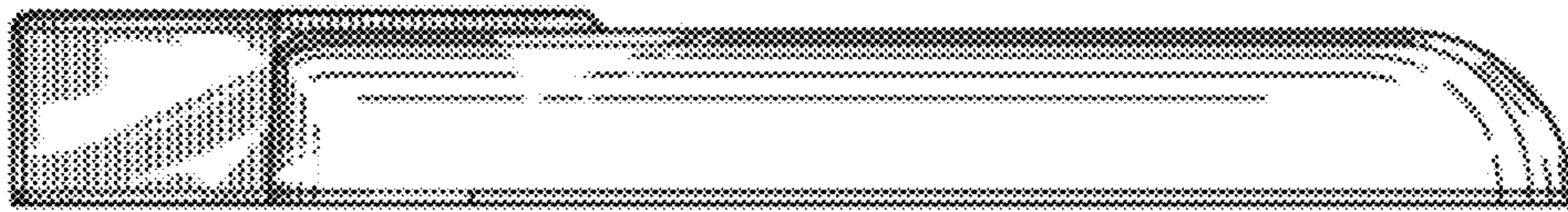


FIG. 4

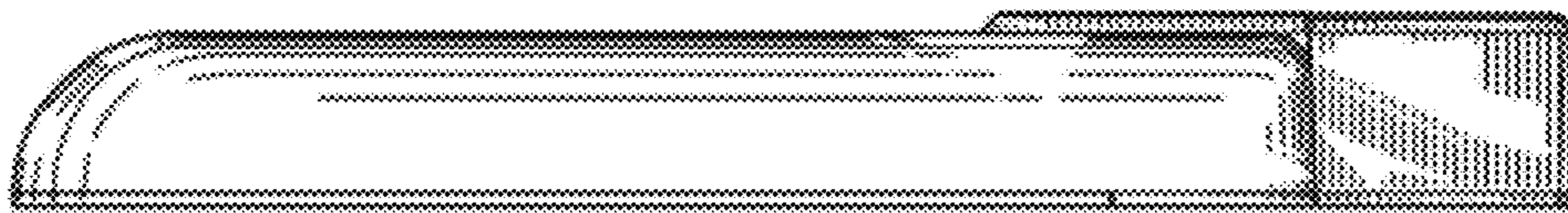


FIG. 5

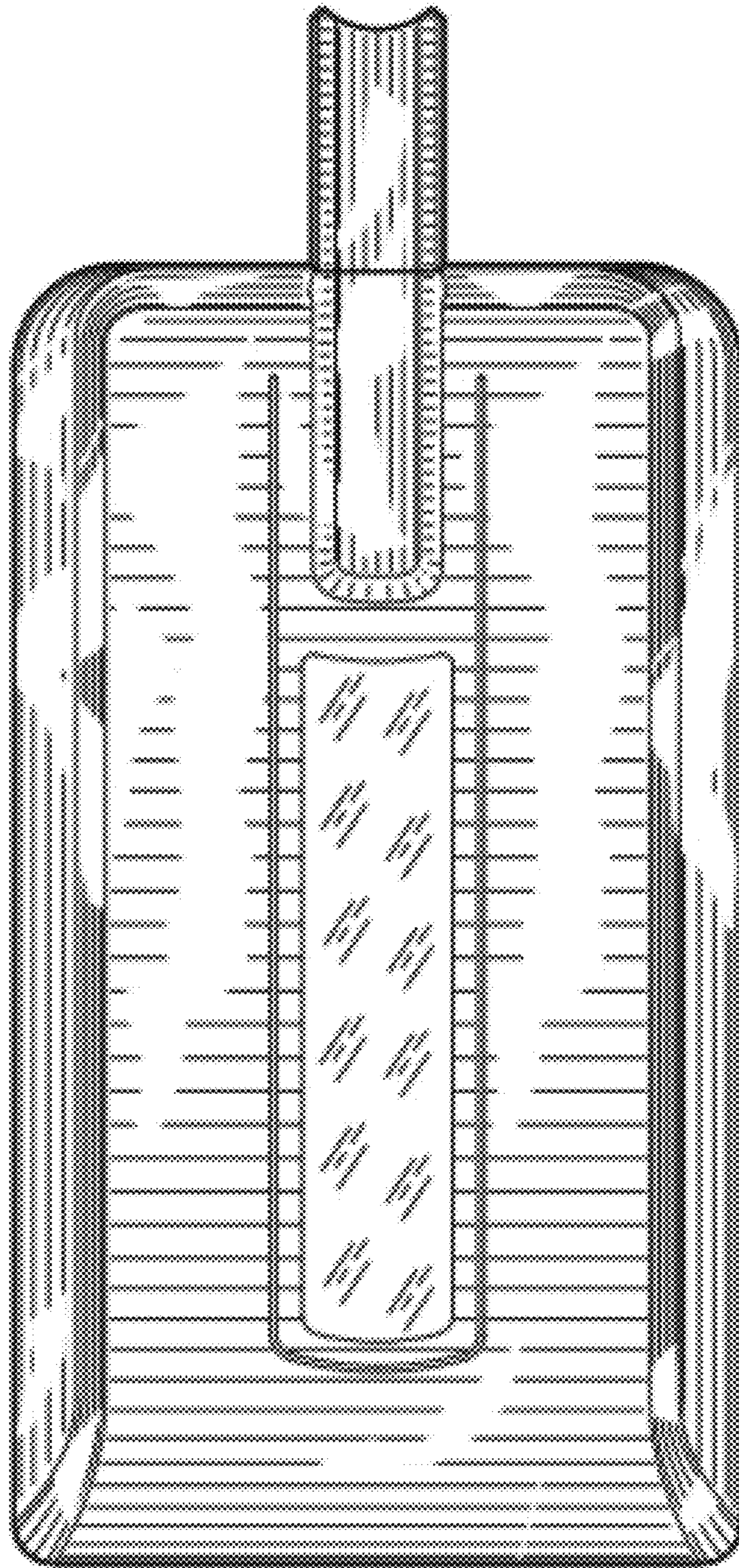


FIG. 6

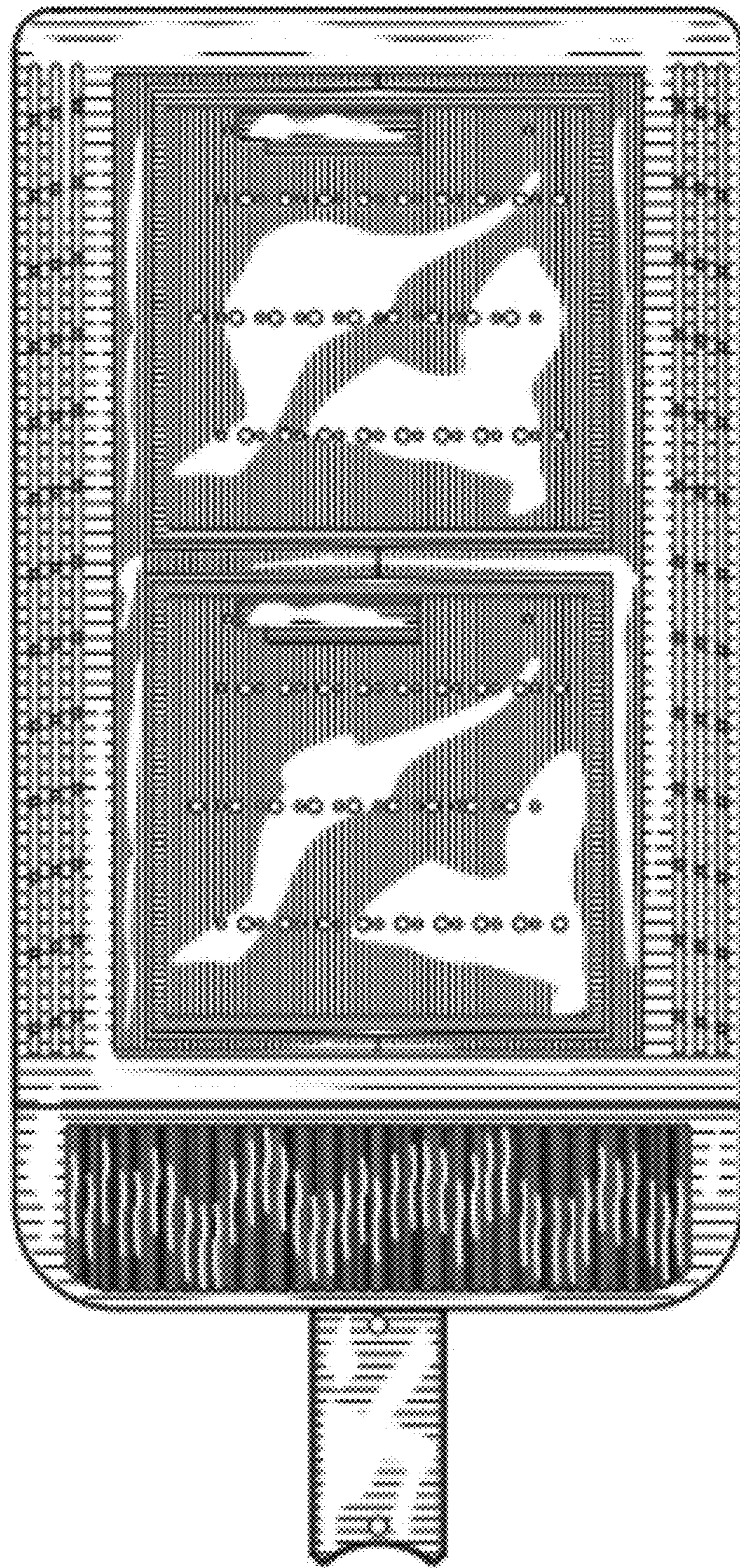


FIG. 7