



US00D676176S

(12) **United States Design Patent**  
**Akinrele et al.**

(10) **Patent No.:** **US D676,176 S**

(45) **Date of Patent:** **\*\* Feb. 12, 2013**

(54) **LUMINAIRE FOR ROAD LIGHTING**

(75) Inventors: **Dylan Akinrele**, Union, NJ (US); **Cody Lynn Jinkins**, Schertz, TX (US)

(73) Assignee: **Koninklijke Philips Electronics N.V.**, Eindhoven (NL)

(\*\*) Term: **14 Years**

(21) Appl. No.: **29/405,326**

(22) Filed: **Nov. 1, 2011**

(51) **LOC (9) Cl.** ..... **26-05**

(52) **U.S. Cl.** ..... **D26/71; D26/92**

(58) **Field of Classification Search** ..... D26/61,  
D26/63, 65, 67-71, 85, 92; 362/249.01-249.06,  
362/294, 373, 431

See application file for complete search history.

(56) **References Cited**

**U.S. PATENT DOCUMENTS**

D222,117 S *	9/1971	Baatz	.....	D25/102
D437,958 S *	2/2001	Doron et al.	.....	D26/71
D447,590 S *	9/2001	Raouf et al.	.....	D26/71
D531,342 S *	10/2006	Kauffman et al.	.....	D26/68

D568,521 S *	5/2008	Compton	.....	D26/71
D570,521 S *	6/2008	Belleau	.....	D26/85
D612,090 S *	3/2010	Yu	.....	D26/92
7,832,898 B2 *	11/2010	Li	.....	362/249.02
D634,878 S *	3/2011	Guercio et al.	.....	D26/85
D660,496 S *	5/2012	Akdag et al.	.....	D26/71
D665,940 S *	8/2012	Lane et al.	.....	D26/71
D666,759 S *	9/2012	Lane et al.	.....	D26/71

\* cited by examiner

*Primary Examiner* — Clare E Heflin

(57) **CLAIM**

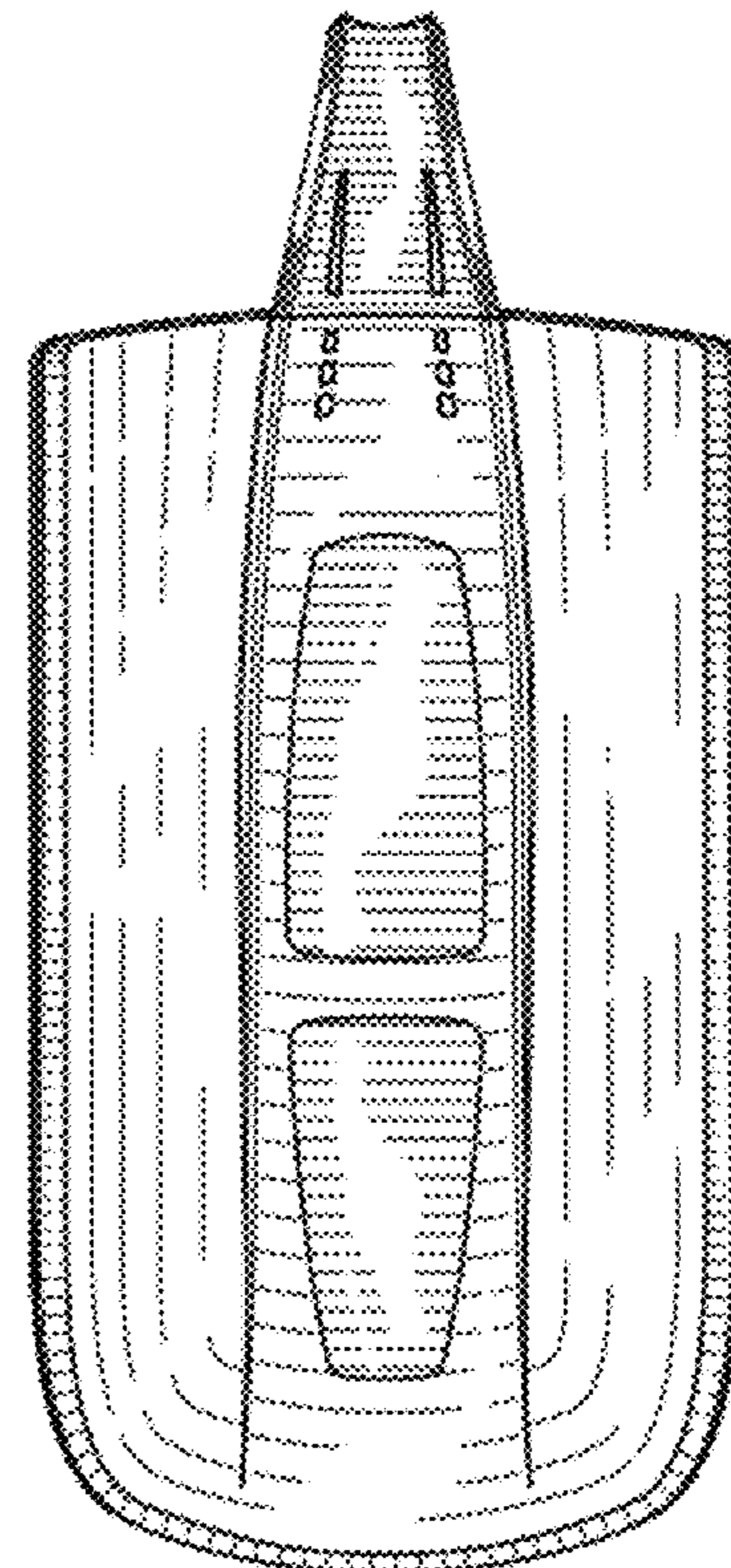
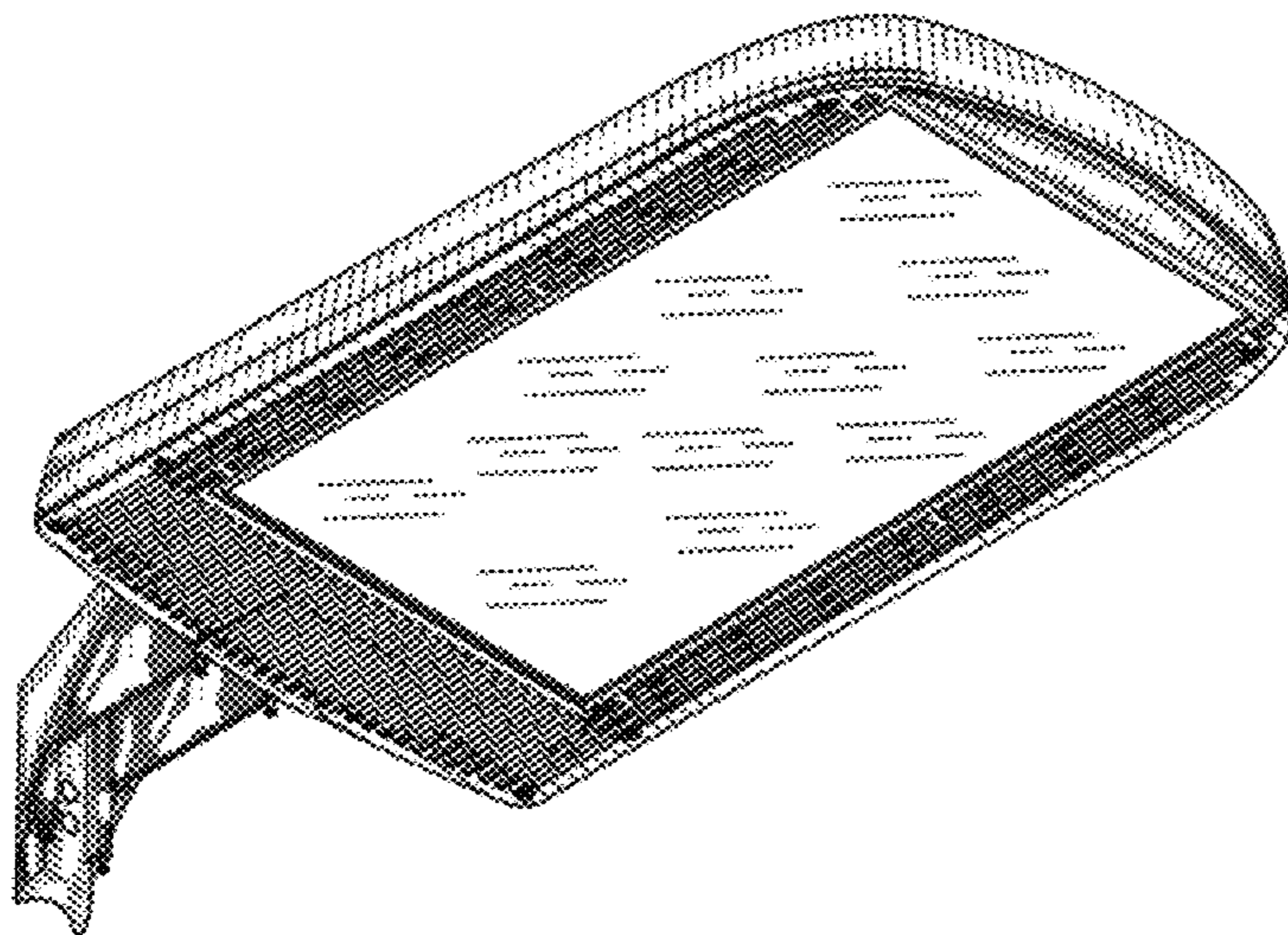
The ornamental design for a luminaire for road lighting, as shown and described.

**DESCRIPTION**

FIG. 1 is a perspective view showing my design;  
FIG. 2 is a front elevational view thereof;  
FIG. 3 is a rear elevational view thereof;  
FIG. 4 is a right side elevational view thereof;  
FIG. 5 is a left side elevational view thereof;  
FIG. 6 is a top plan view thereof; and,  
FIG. 7 is a bottom plan view thereof.

The broken lines shown on the drawings depict portions of the luminaire that form no part of the claimed design.

**1 Claim, 5 Drawing Sheets**



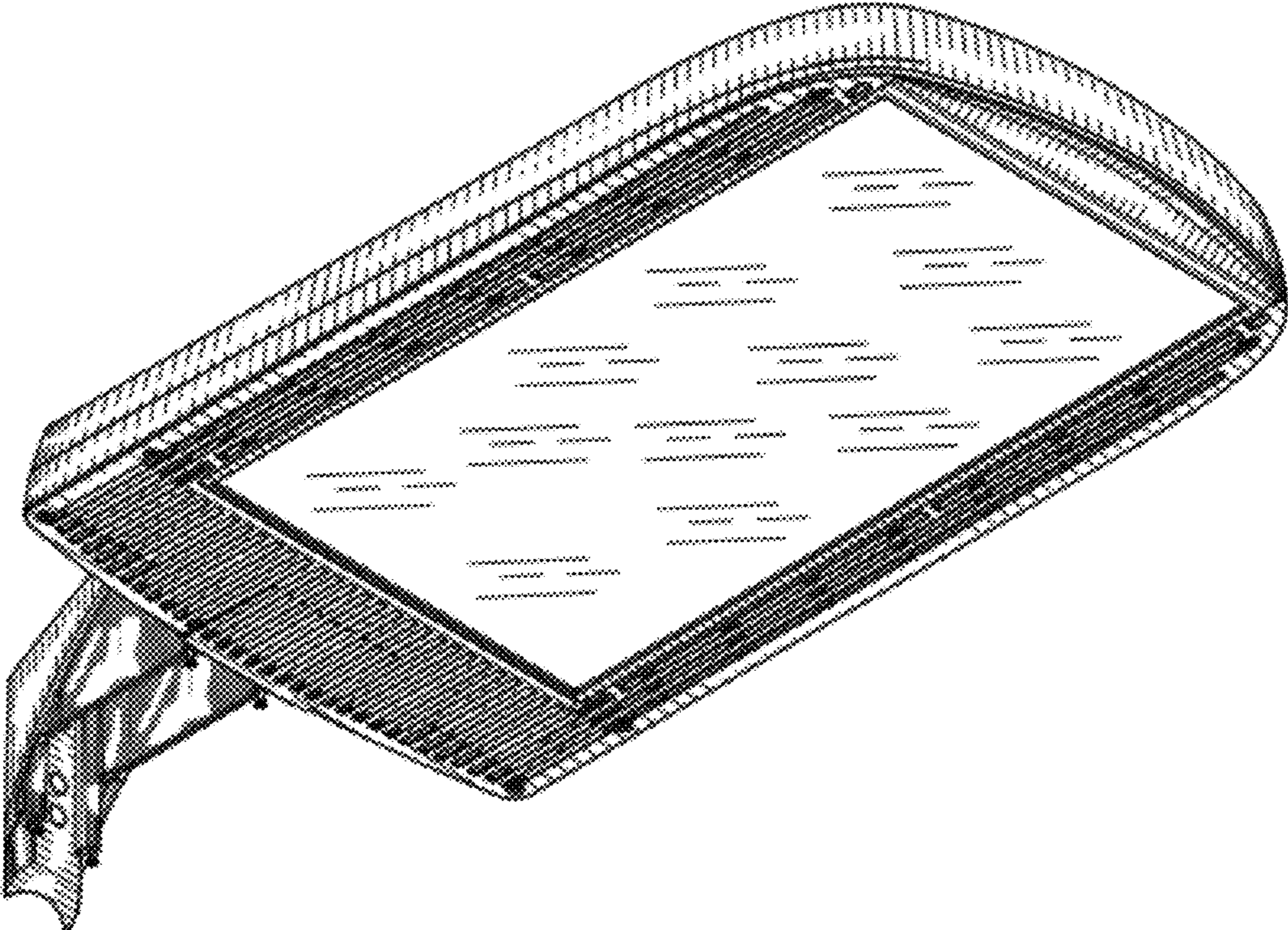


FIG. 1



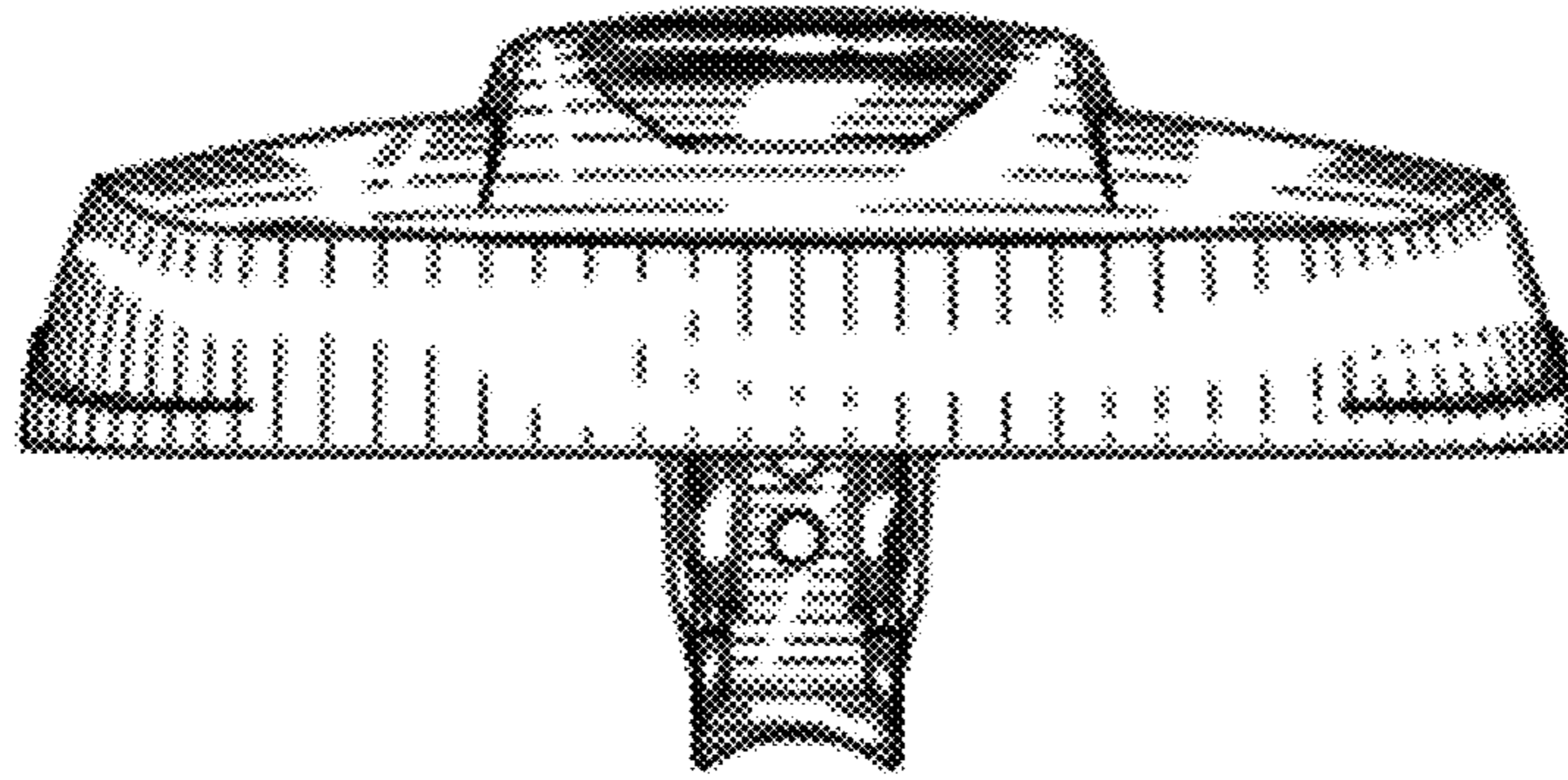


FIG. 2

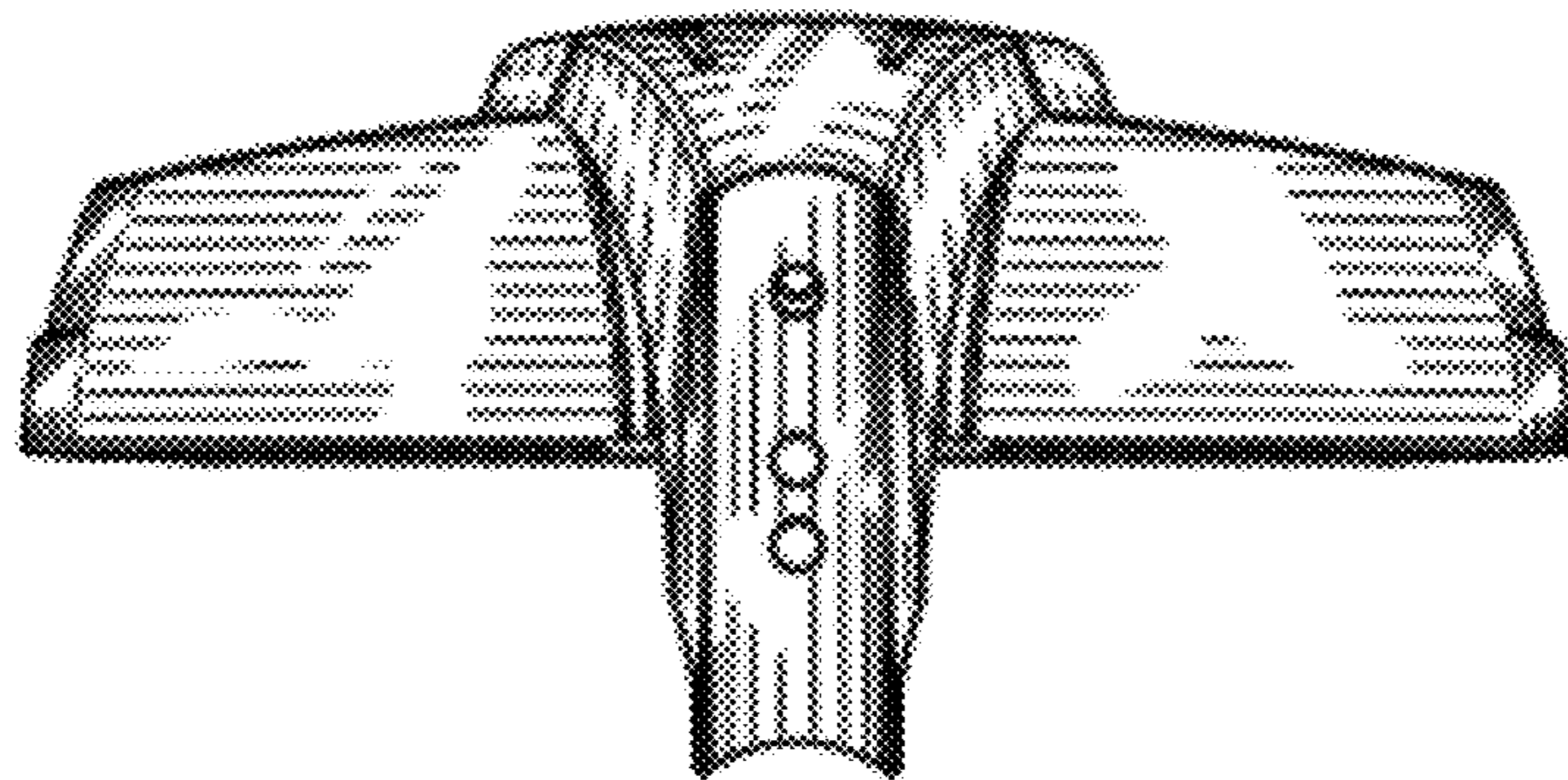


FIG. 3

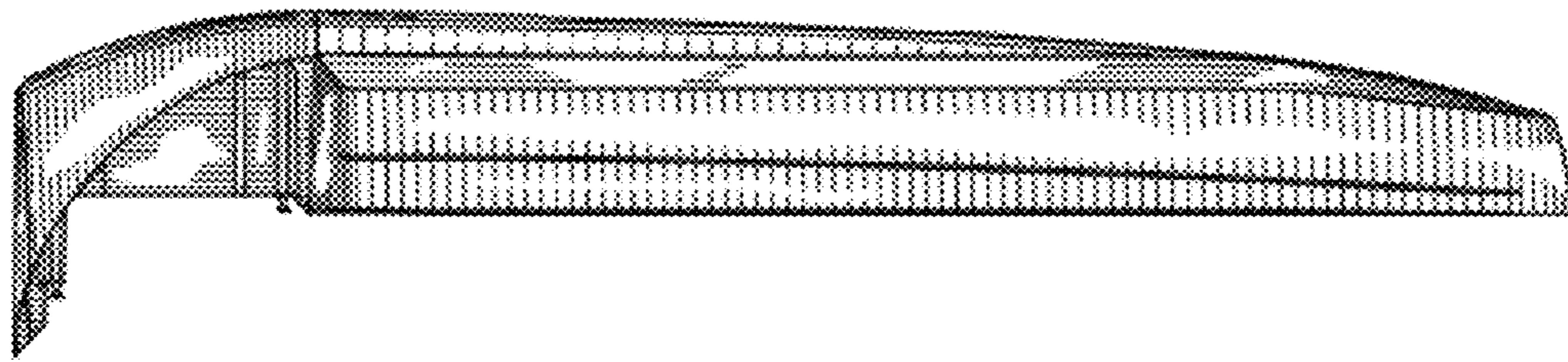


FIG. 4

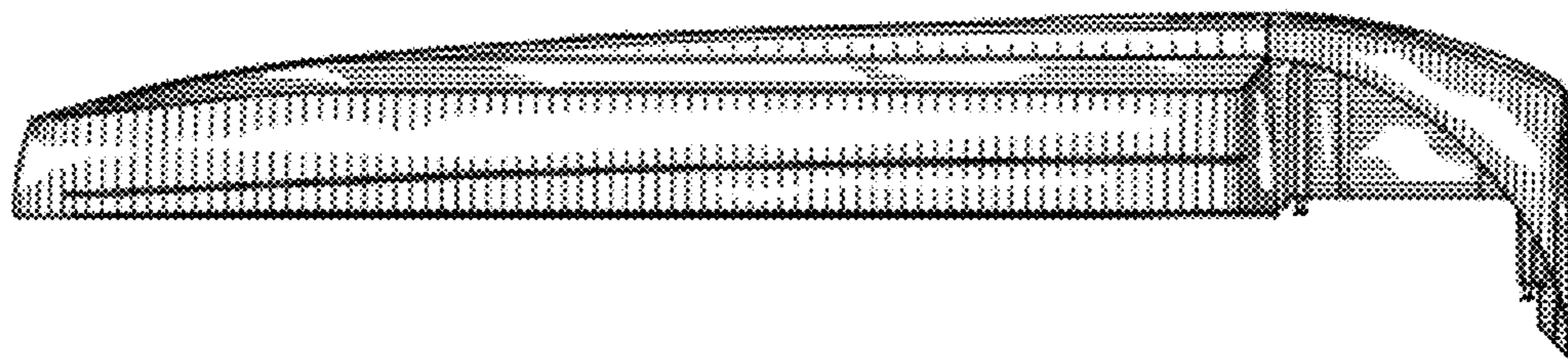


FIG. 5



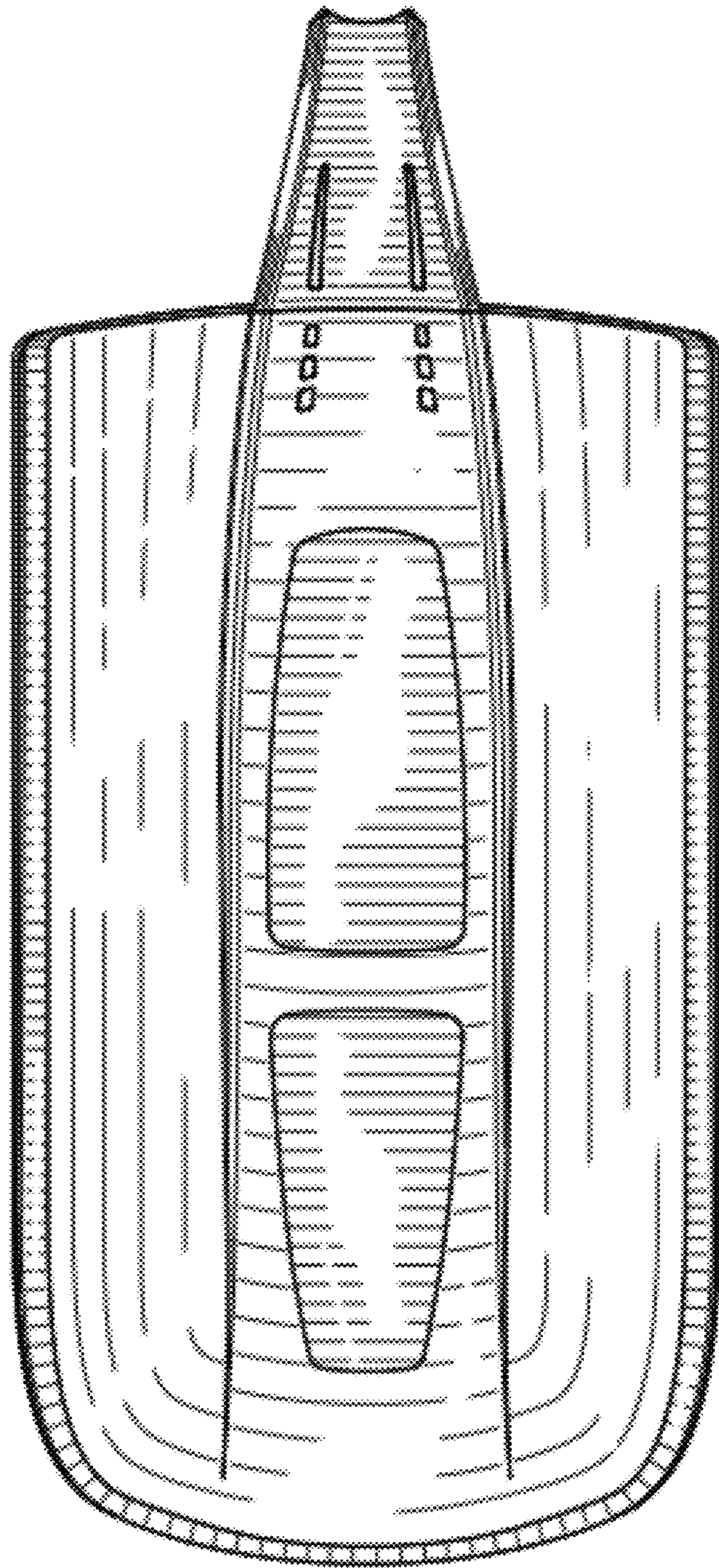


FIG. 6



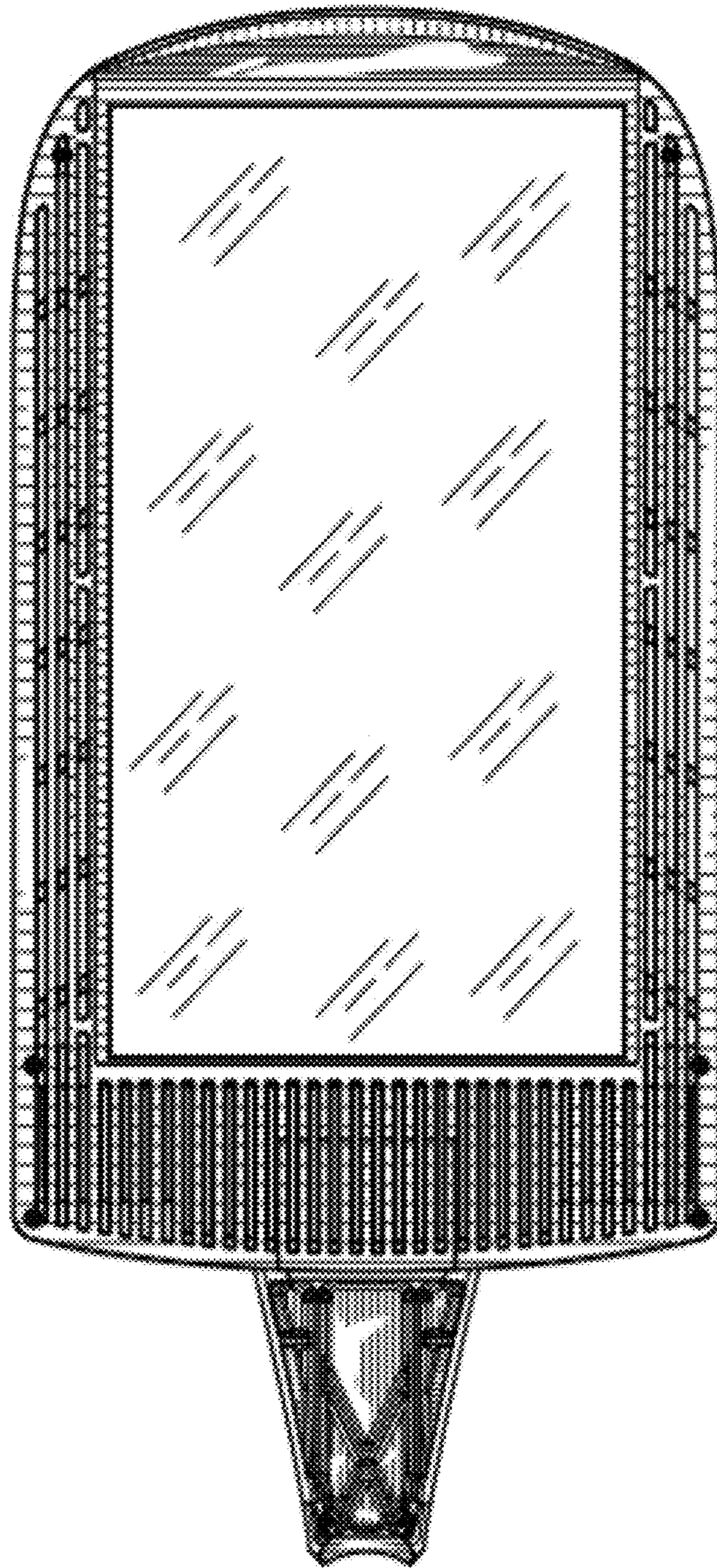


FIG. 7