



US00D676173S

(12) **United States Design Patent**
Akinrele et al.

(10) **Patent No.:** **US D676,173 S**

(45) **Date of Patent:** **** Feb. 12, 2013**

(54) **LUMINAIRE FOR ROAD LIGHTING**

(75) Inventors: **Dylan Akinrele**, Union, NJ (US);
Wayne Campbell, Kitchener (CA)

(73) Assignee: **Koninklijke Philips Electronics N.V.**,
Eindhoven (NL)

(**) Term: **14 Years**

(21) Appl. No.: **29/405,322**

(22) Filed: **Nov. 1, 2011**

(51) **LOC (9) Cl.** **26-05**

(52) **U.S. Cl.** **D26/71; D26/85**

(58) **Field of Classification Search** D26/61,
D26/63, 65, 67-71, 85, 92; 362/249.01-249.06,
362/294, 373, 431

See application file for complete search history.

(56) **References Cited**

U.S. PATENT DOCUMENTS

D222,117 S *	9/1971	Batz	D25/102
D447,590 S *	9/2001	Raouf et al.	D26/71
D500,569 S *	1/2005	Butler	D26/71
D552,292 S *	10/2007	Martineau	D26/85

D563,587 S *	3/2008	Quiogue et al.	D26/85
D568,524 S *	5/2008	Sandell	D26/85
D578,702 S *	10/2008	Campagna	D26/85
D608,040 S *	1/2010	Guercio	D26/71
D626,272 S *	10/2010	Verelst	D26/85
D634,878 S *	3/2011	Guercio et al.	D26/85
D662,243 S *	6/2012	Sinai et al.	D26/71
D665,940 S *	8/2012	Lane et al.	D26/71

* cited by examiner

Primary Examiner — Clare E Heflin

(57) **CLAIM**

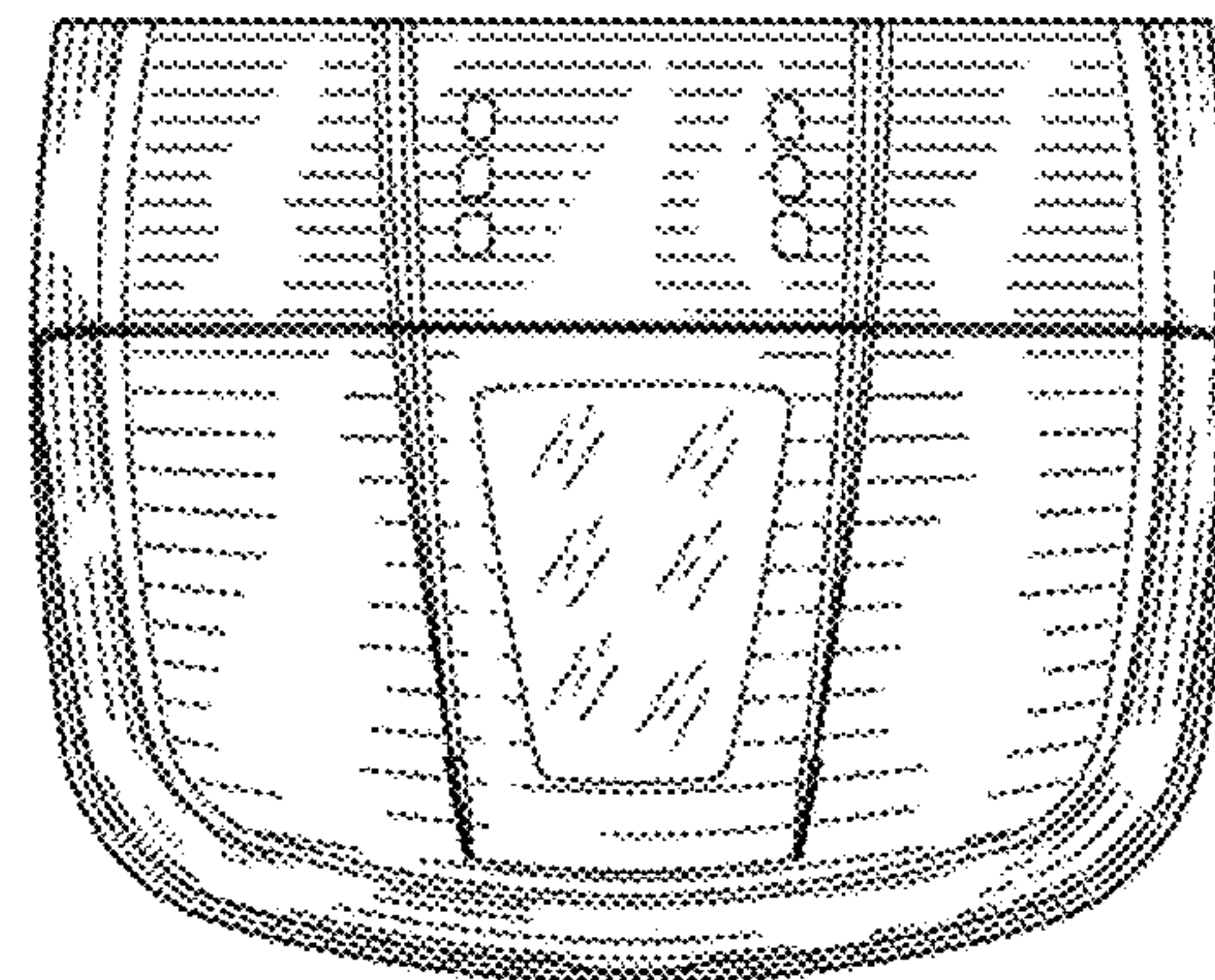
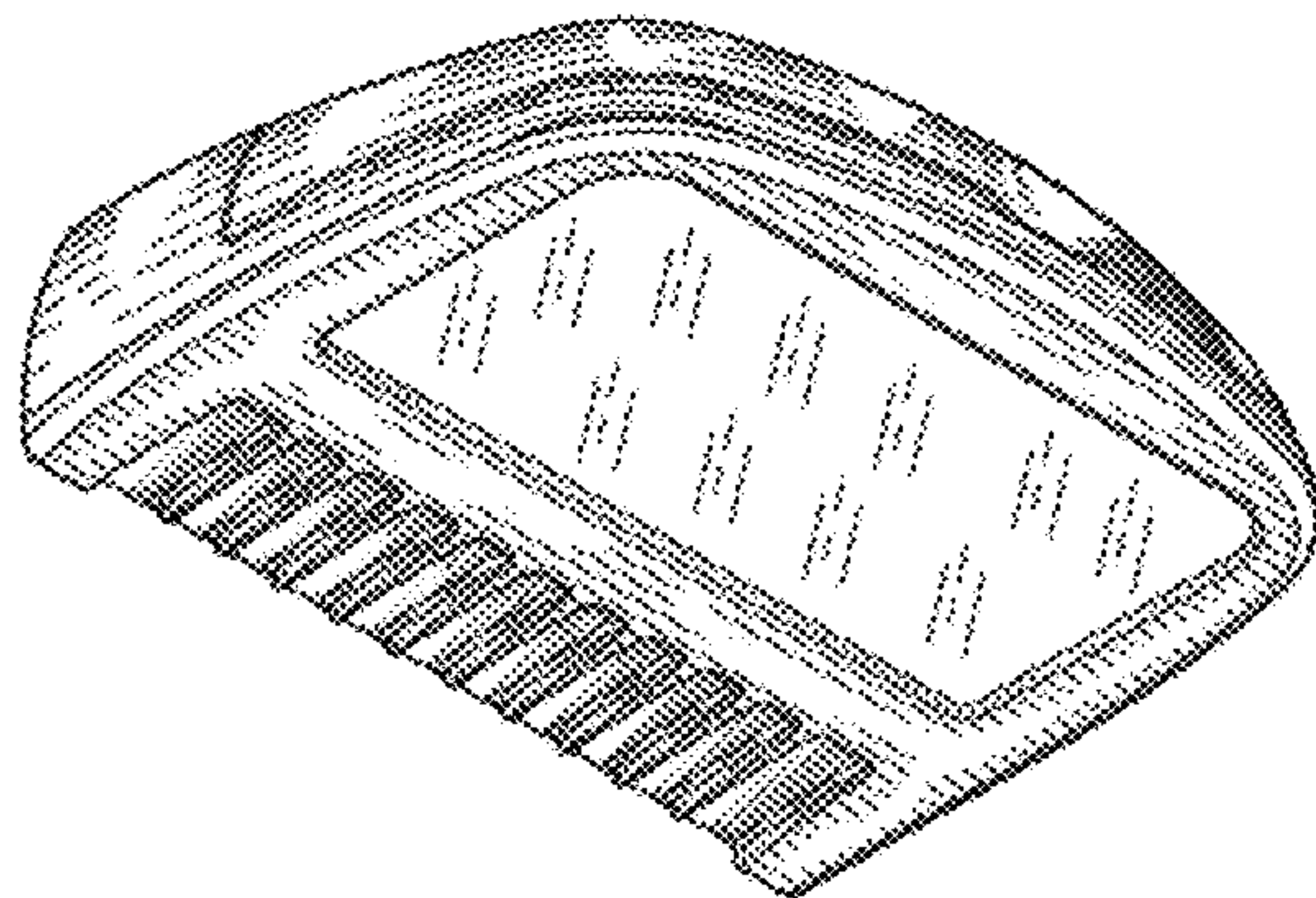
The ornamental design for a luminaire for road lighting, as shown and described.

DESCRIPTION

FIG. 1 is a perspective view showing my design;
FIG. 2 is a front elevational view thereof;
FIG. 3 is a rear elevational view thereof;
FIG. 4 is a right side elevational view thereof;
FIG. 5 is a left side elevational view thereof;
FIG. 6 is a top plan view thereof; and,
FIG. 7 is a bottom plan view thereof.

The broken lines shown on the drawings depict portions of the luminaire that form no part of the claimed design.

1 Claim, 4 Drawing Sheets



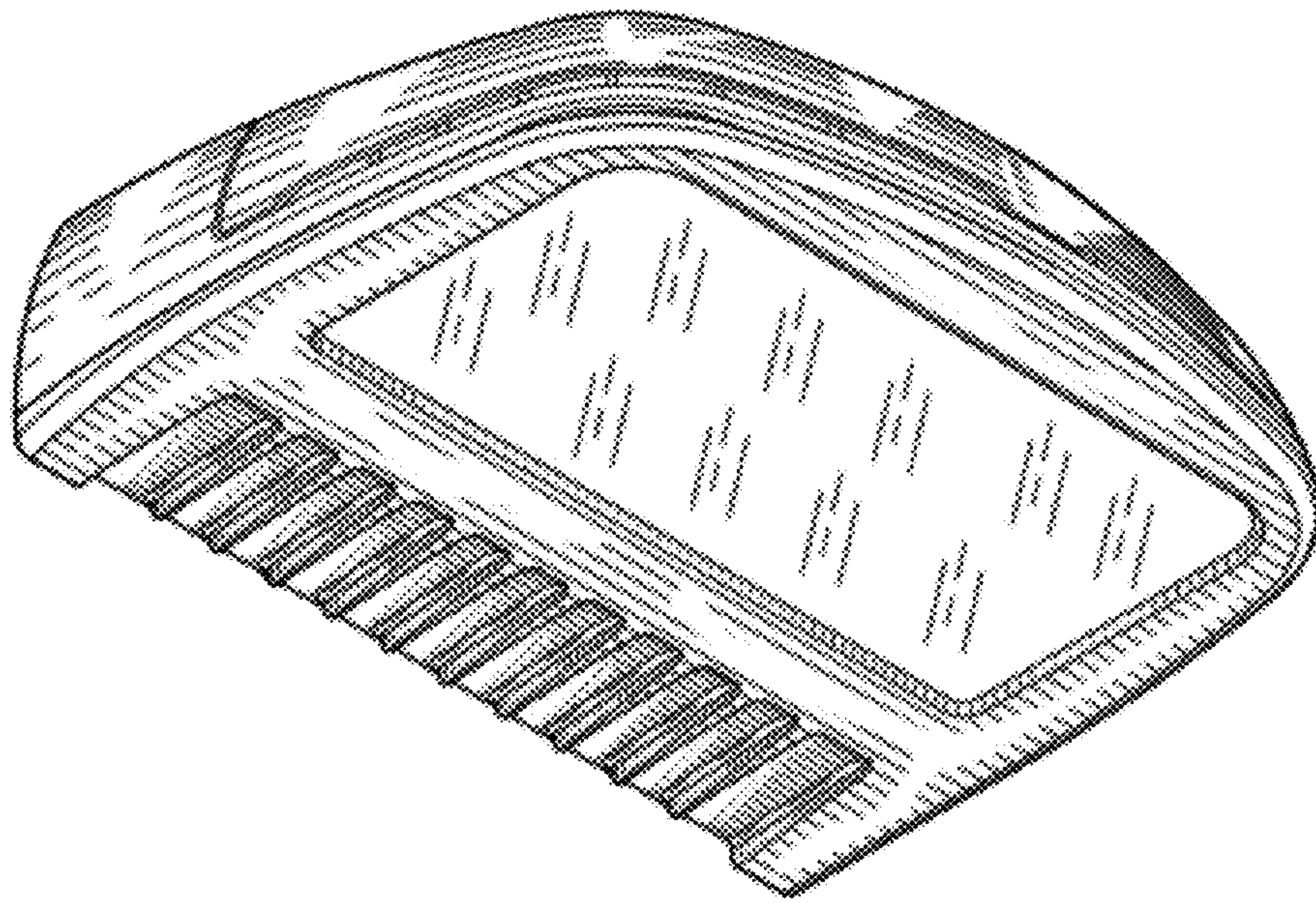


FIG. 1

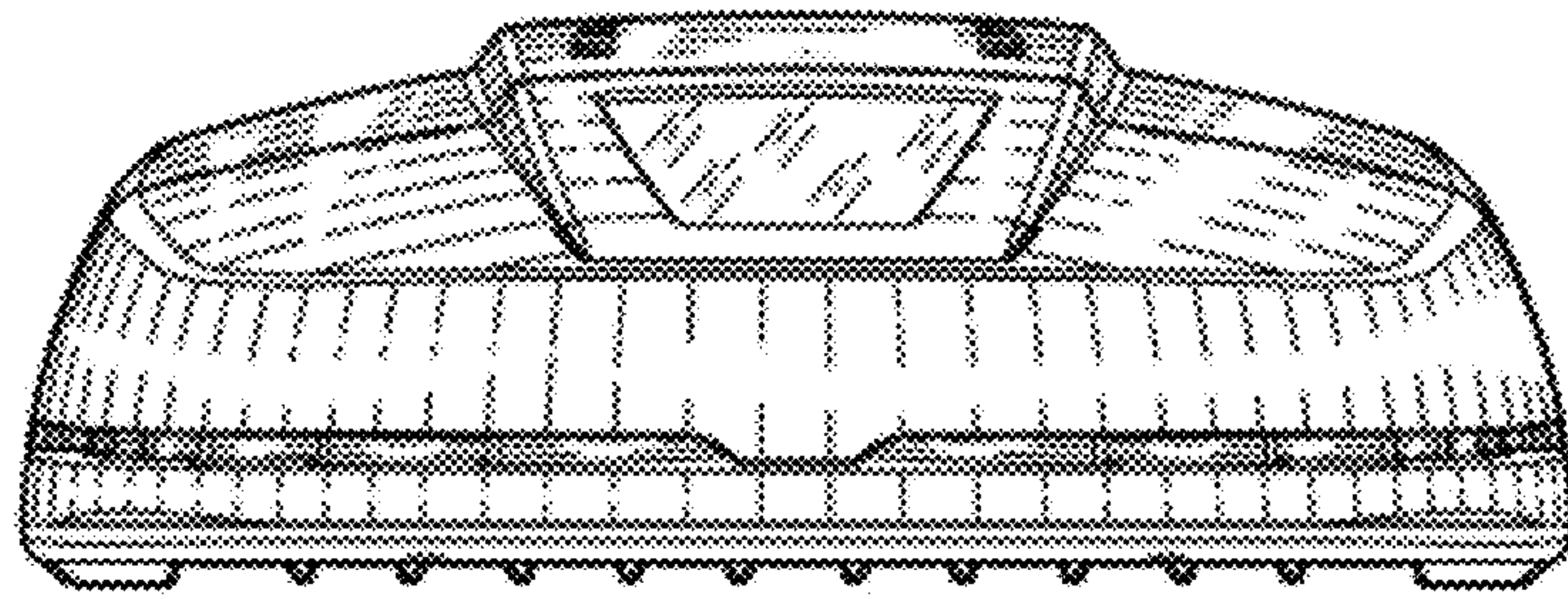


FIG. 2

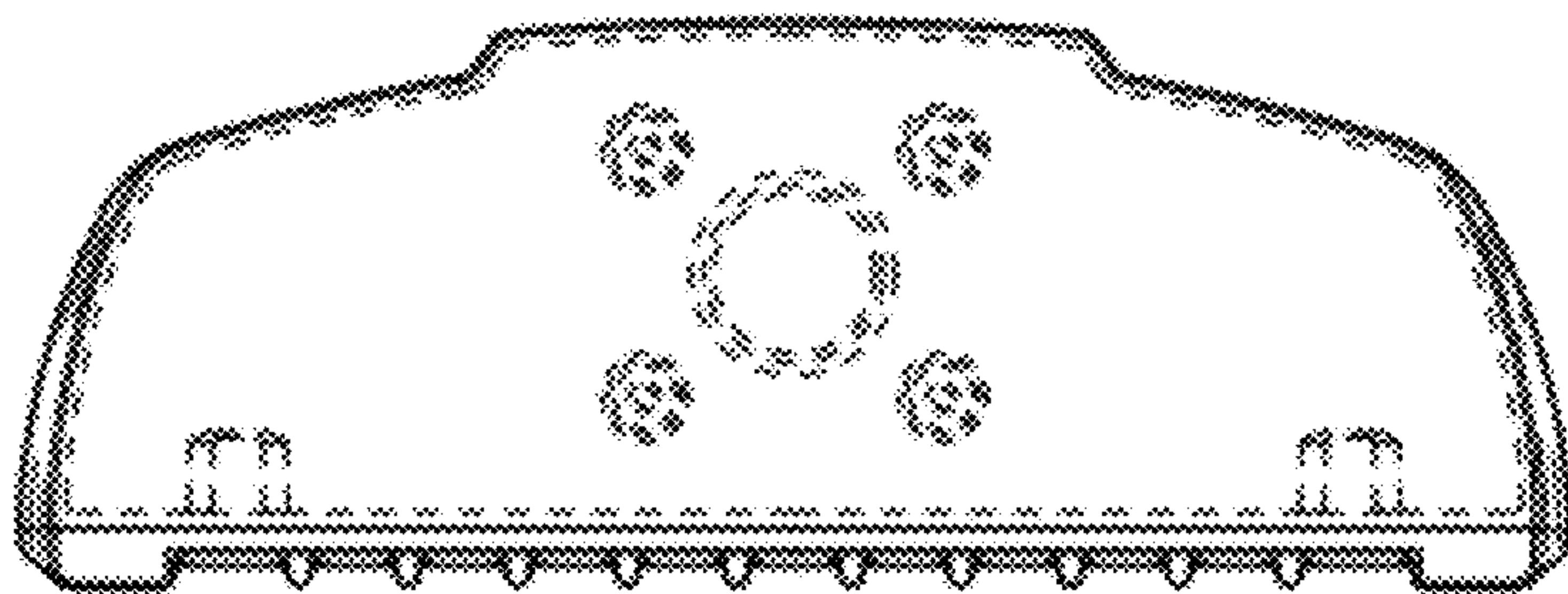


FIG. 3

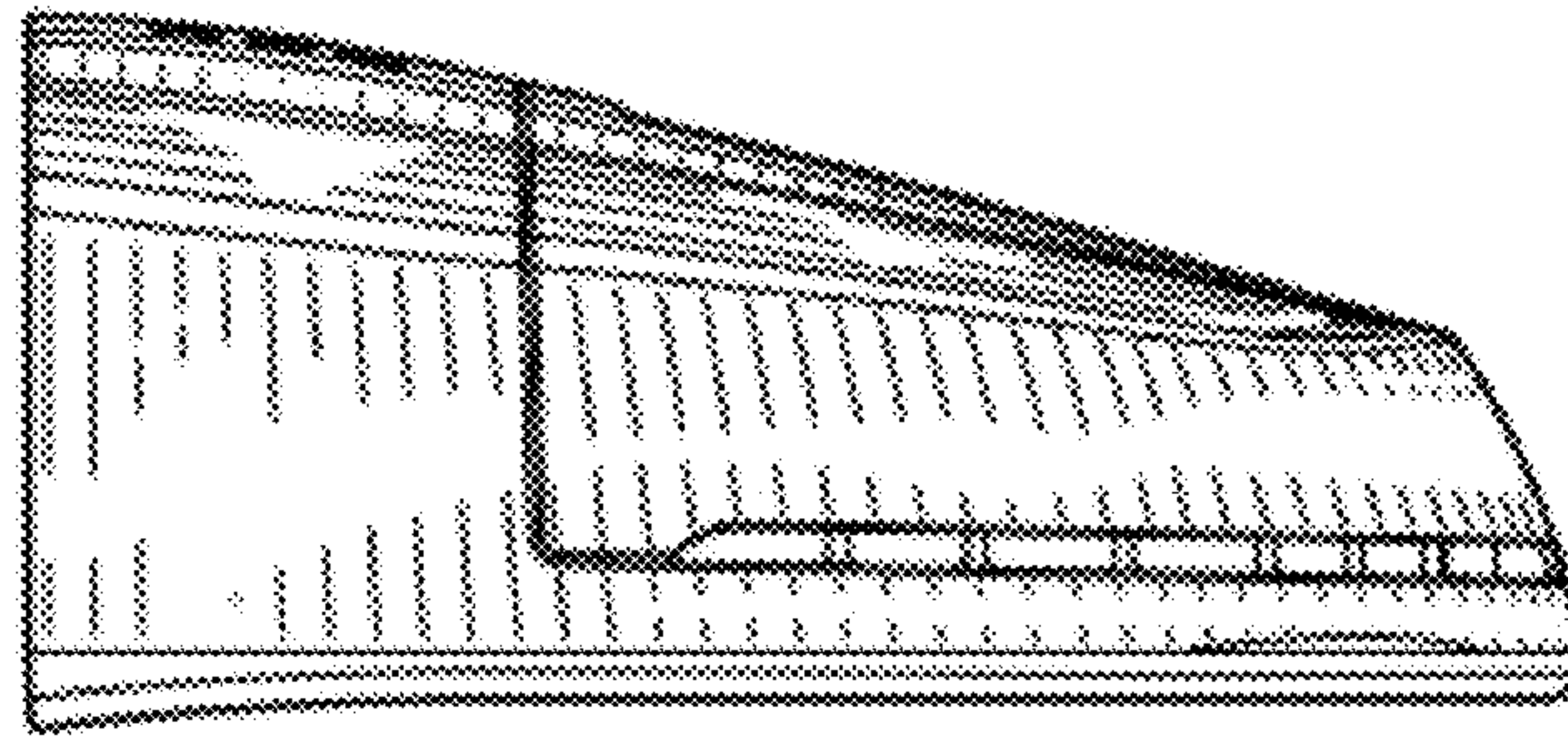


FIG. 4

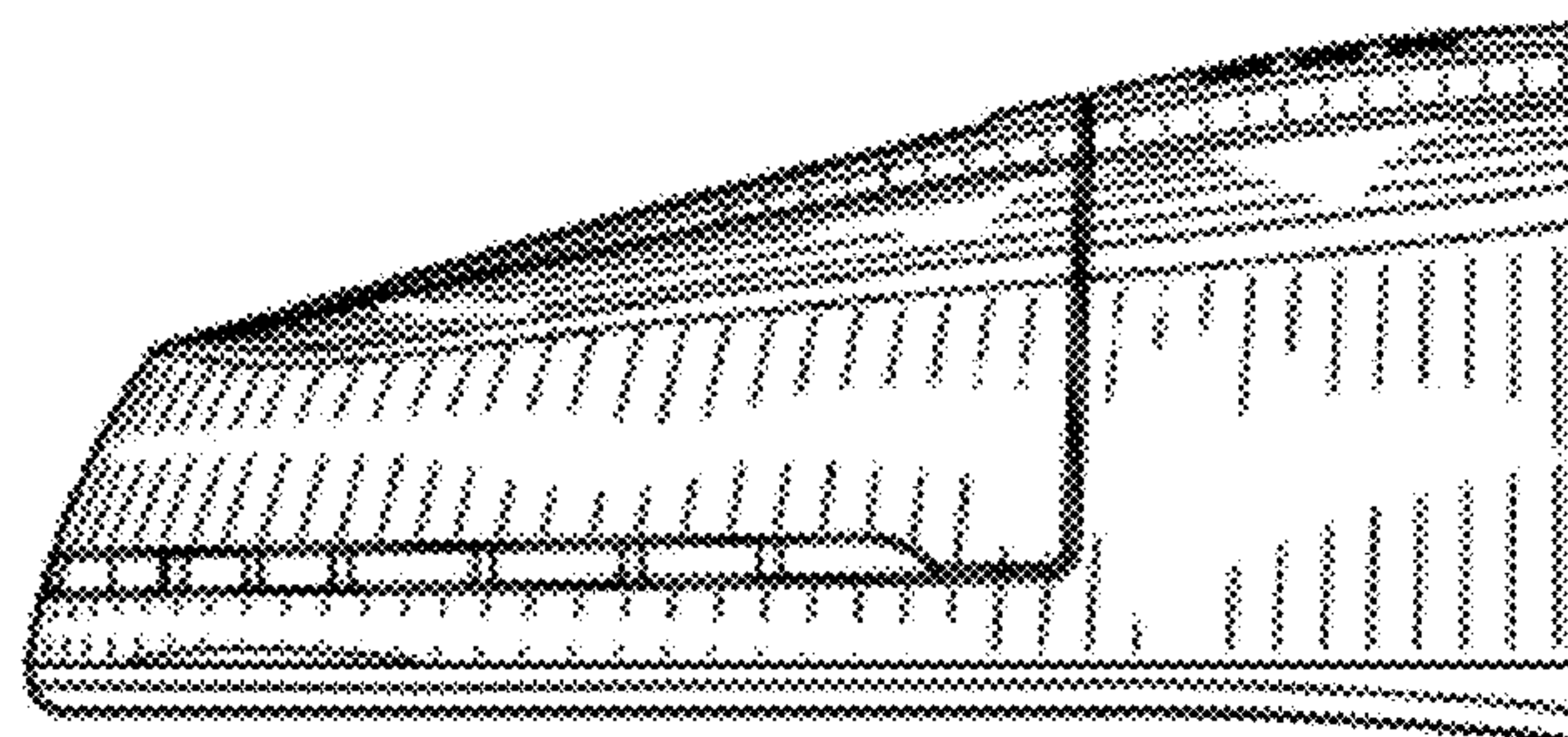


FIG. 5

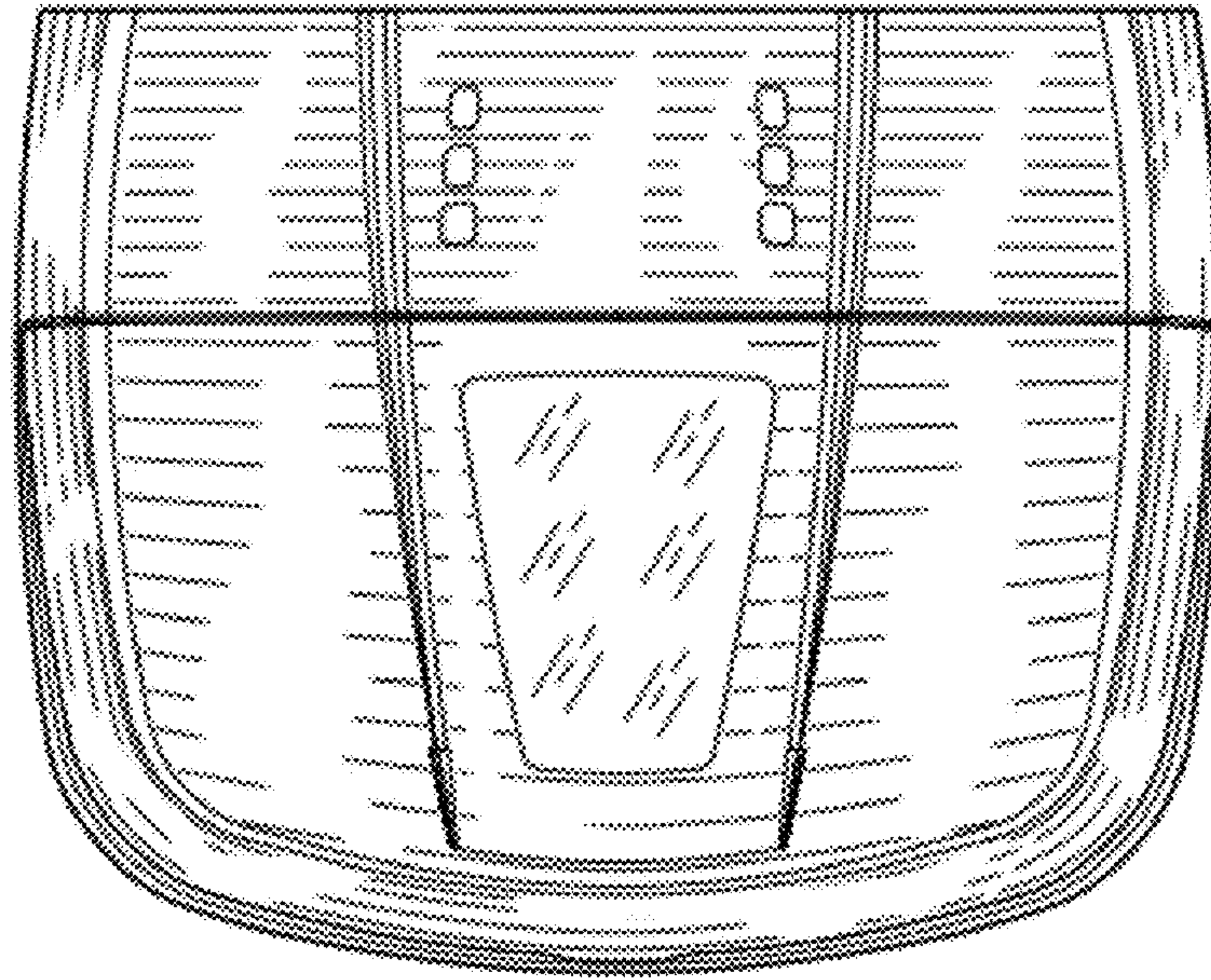


FIG. 6

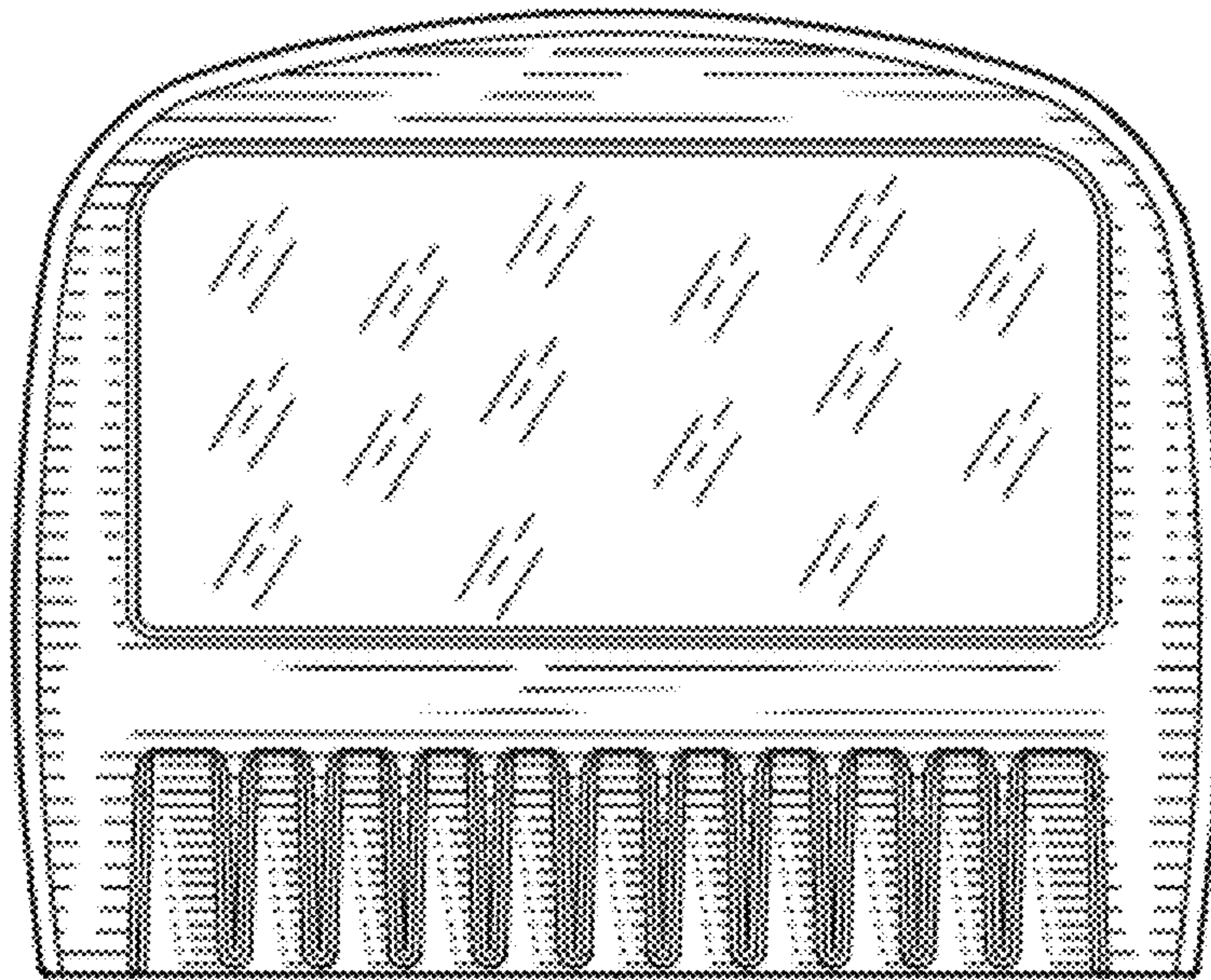


FIG. 7