



US00D676172S

(12) **United States Design Patent**
Podgorschek et al.

(10) **Patent No.:** **US D676,172 S**
(45) **Date of Patent:** **** Feb. 12, 2013**

(54) **LUMINAIRE FOR ROAD LIGHTING**

(75) Inventors: **Michael Podgorschek**, Vienna (AT); **Iris Podgorschek**, Vienna (AT)

(73) Assignee: **Koninklijke Philips Electronics N.V.**, Eindhoven (NL)

(**) Term: **14 Years**

(21) Appl. No.: **29/404,884**

(22) Filed: **Oct. 26, 2011**

(51) **LOC (9) Cl.** **26-05**

(52) **U.S. Cl.** **D26/71; D26/89**

(58) **Field of Classification Search** D26/61,
D26/63, 65, 67-71, 85, 89, 92; 362/147,
362/249.01-249.06, 294, 373, 431
See application file for complete search history.

(56) **References Cited**

U.S. PATENT DOCUMENTS

D178,212 S *	7/1956	Schreckengast	D26/89
D191,062 S *	8/1961	Gross	D26/71
D460,575 S *	7/2002	Tergny et al.	D26/89
D511,020 S *	10/2005	Egawa et al.	D26/89

D524,475 S *	7/2006	Randazzo et al.	D26/71
D551,379 S *	9/2007	Maxik	D26/74
D556,939 S *	12/2007	Gajewski	D26/89
D574,548 S *	8/2008	Wilcox et al.	D26/89
7,637,642 B2 *	12/2009	Kinnune et al.	362/368
7,771,090 B2 *	8/2010	Chang et al.	362/294
D634,465 S *	3/2011	Siefker et al.	D26/71
D640,821 S *	6/2011	Kocks	D26/89
D645,594 S *	9/2011	Grawe	D26/63

* cited by examiner

Primary Examiner — Clare E Heflin

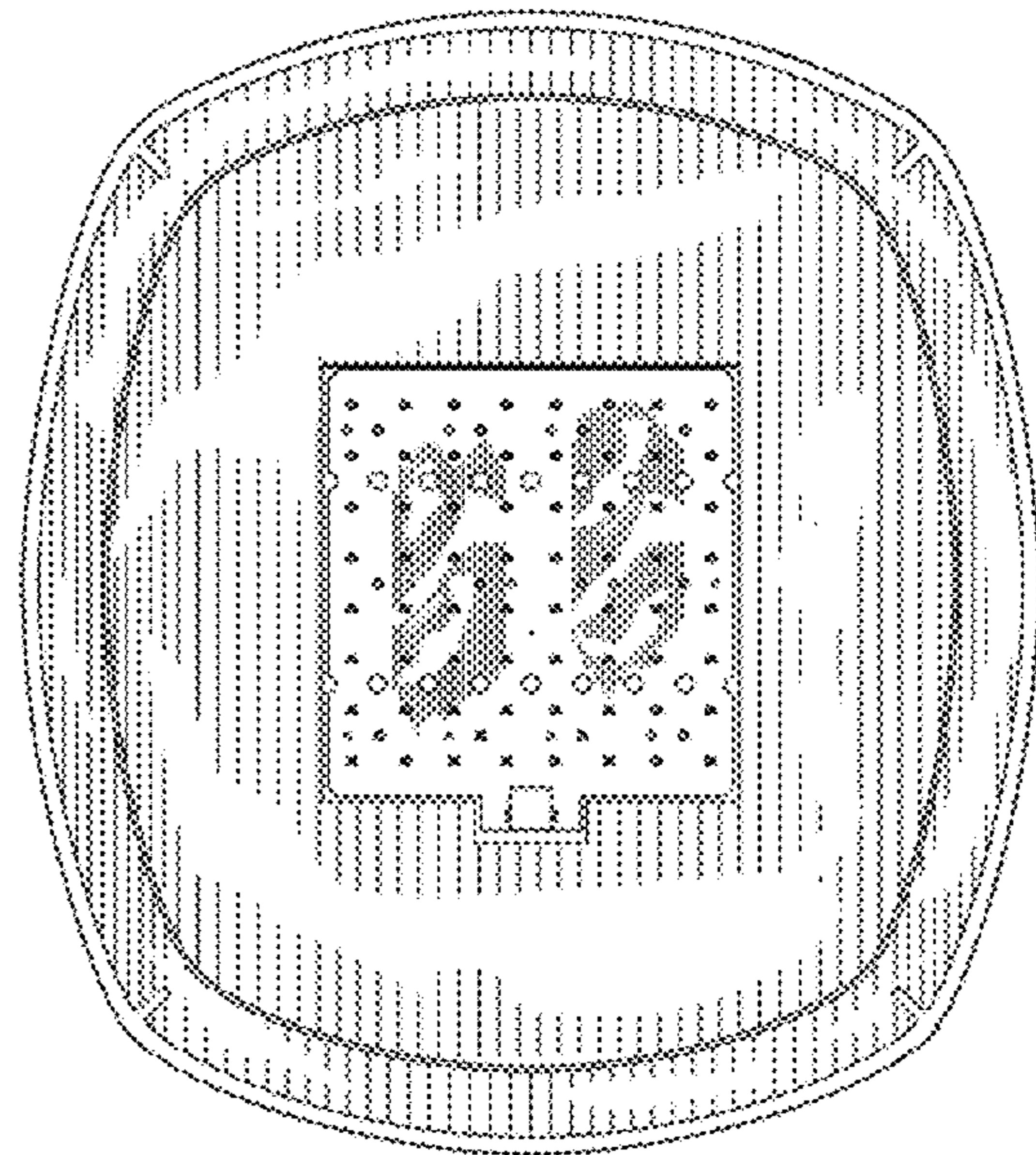
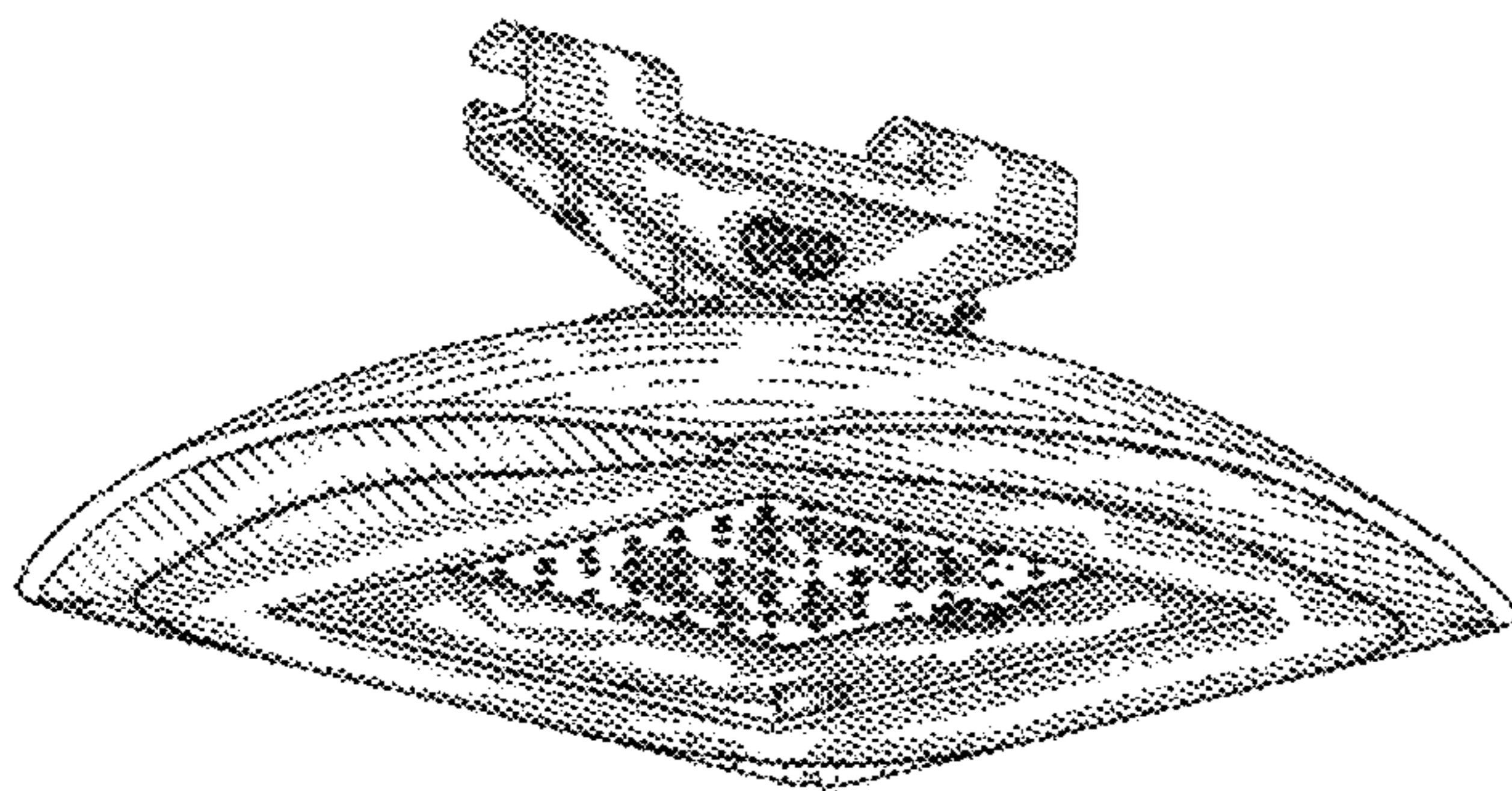
(57) **CLAIM**

The ornamental design for a luminaire for road lighting, as shown.

DESCRIPTION

FIG. 1 is a perspective view showing my design;
FIG. 2 is a front elevational view thereof;
FIG. 3 is a rear elevational view thereof;
FIG. 4 is a right side elevational view thereof;
FIG. 5 is a left side elevational view thereof;
FIG. 6 is a top plan view thereof; and,
FIG. 7 is a bottom plan view thereof.

1 Claim, 5 Drawing Sheets



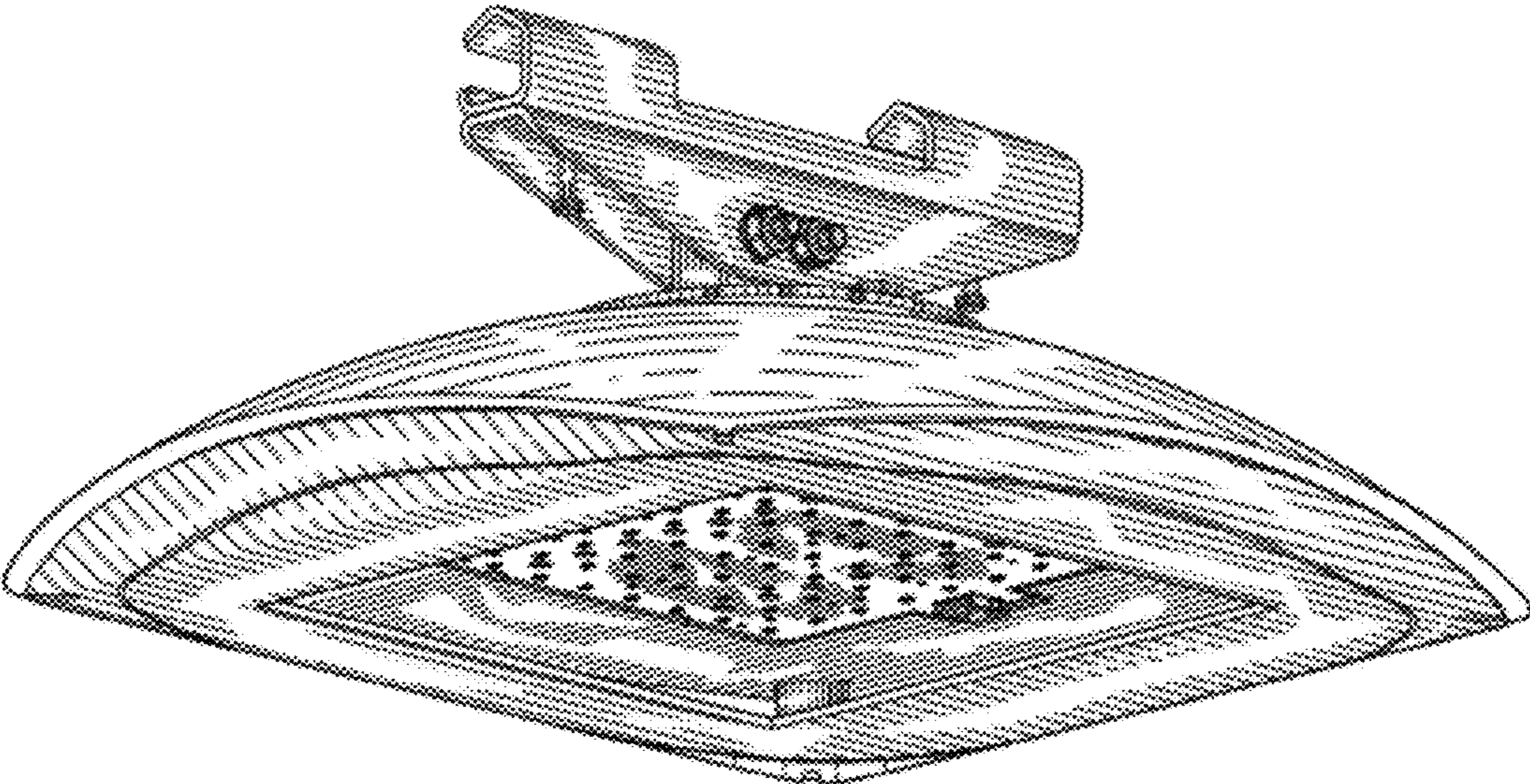


FIG. 1

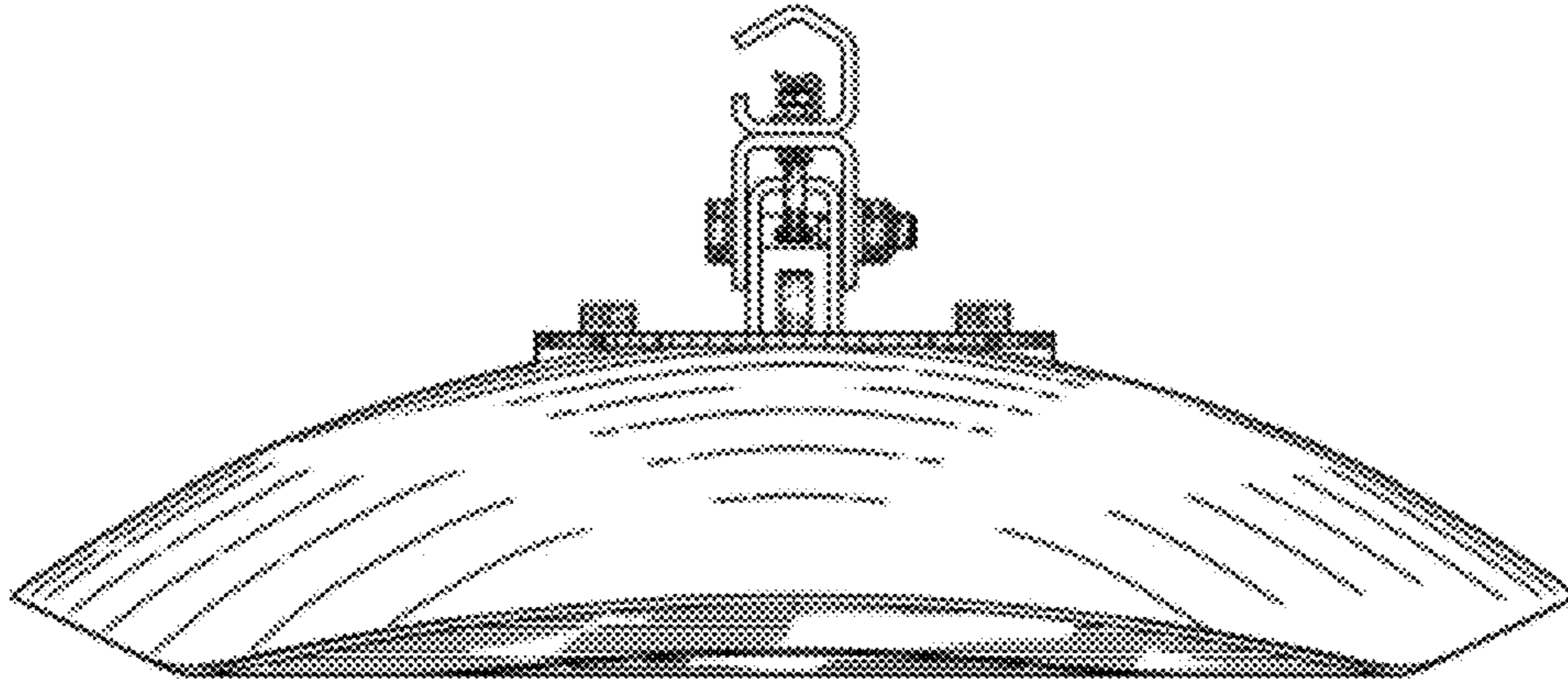


FIG. 2

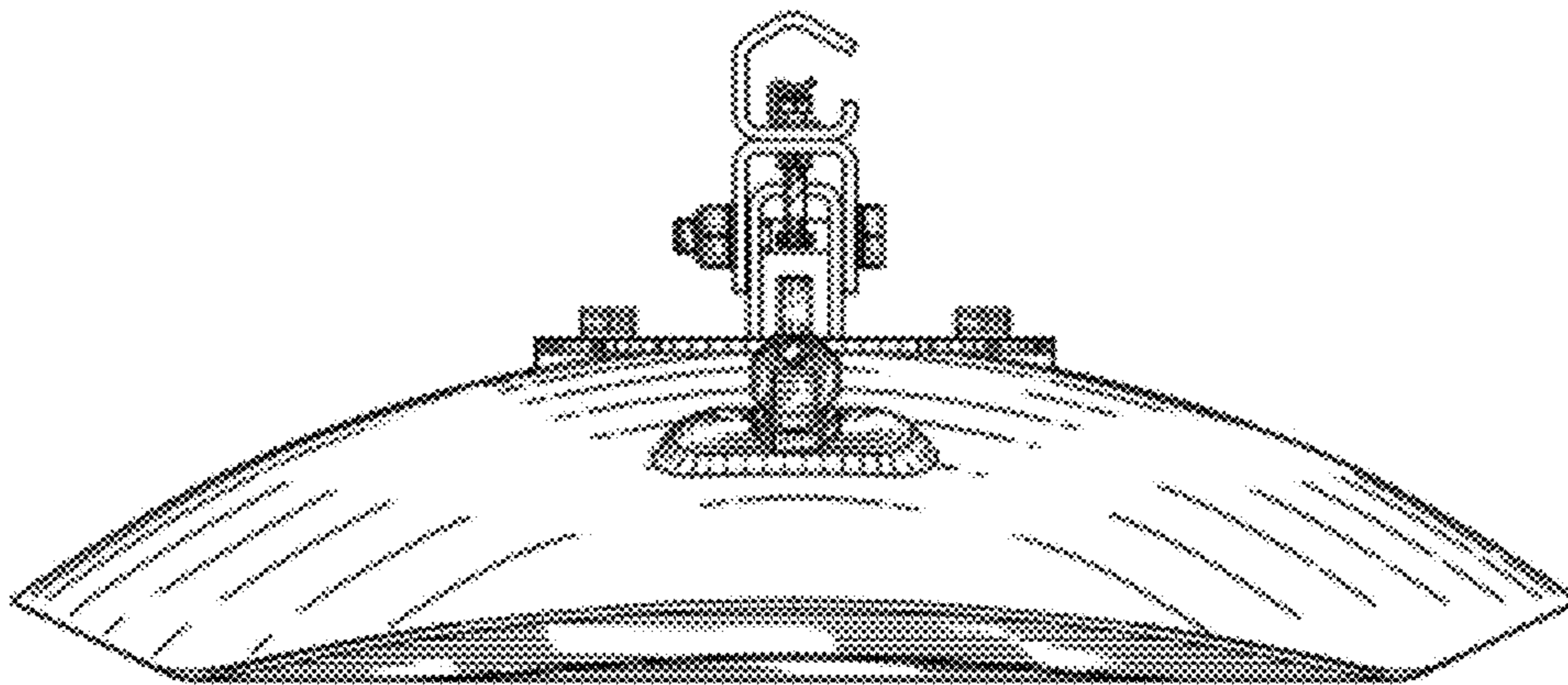


FIG. 3

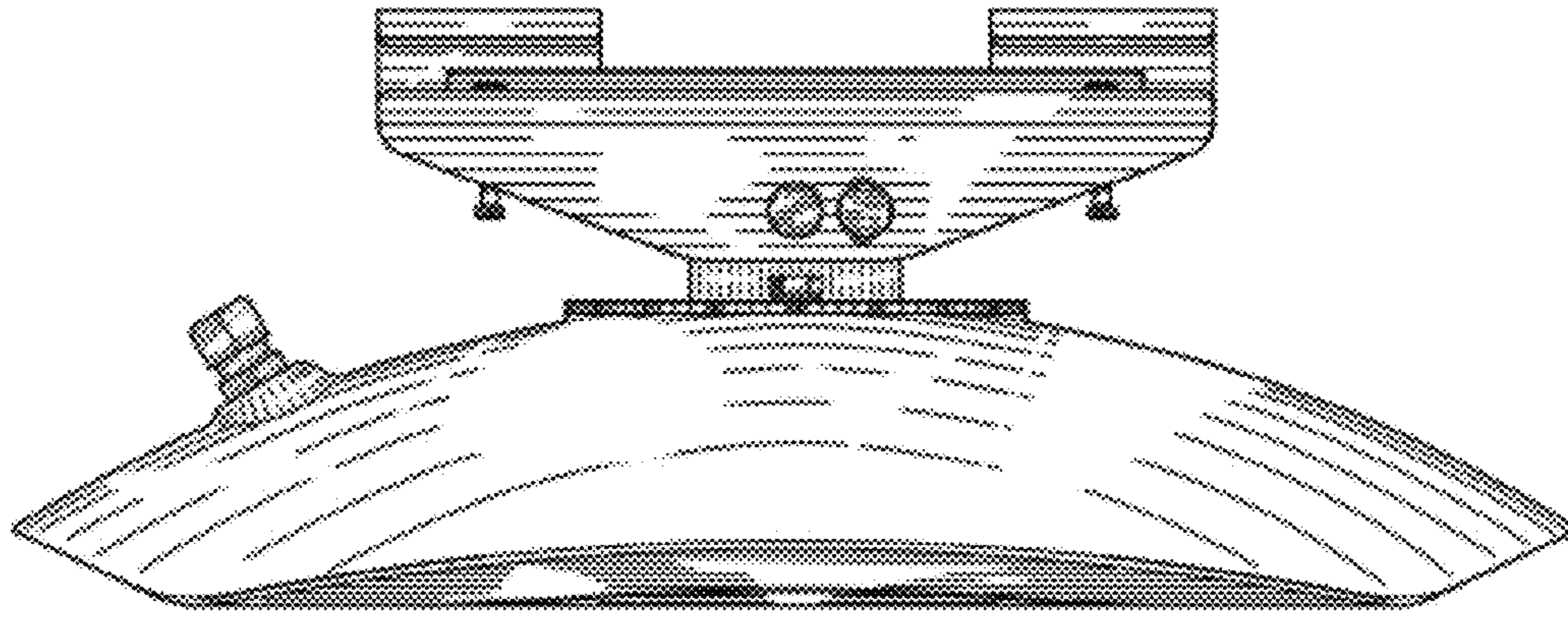


FIG. 4

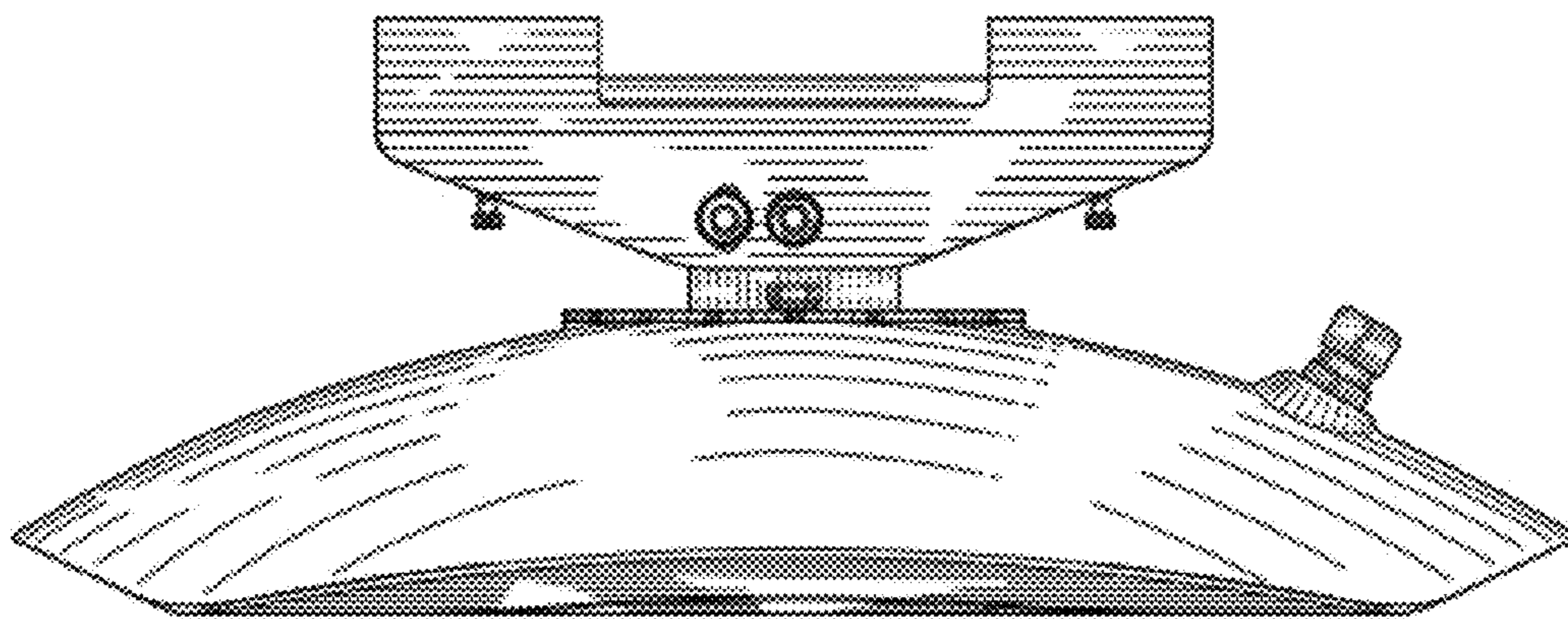


FIG. 5

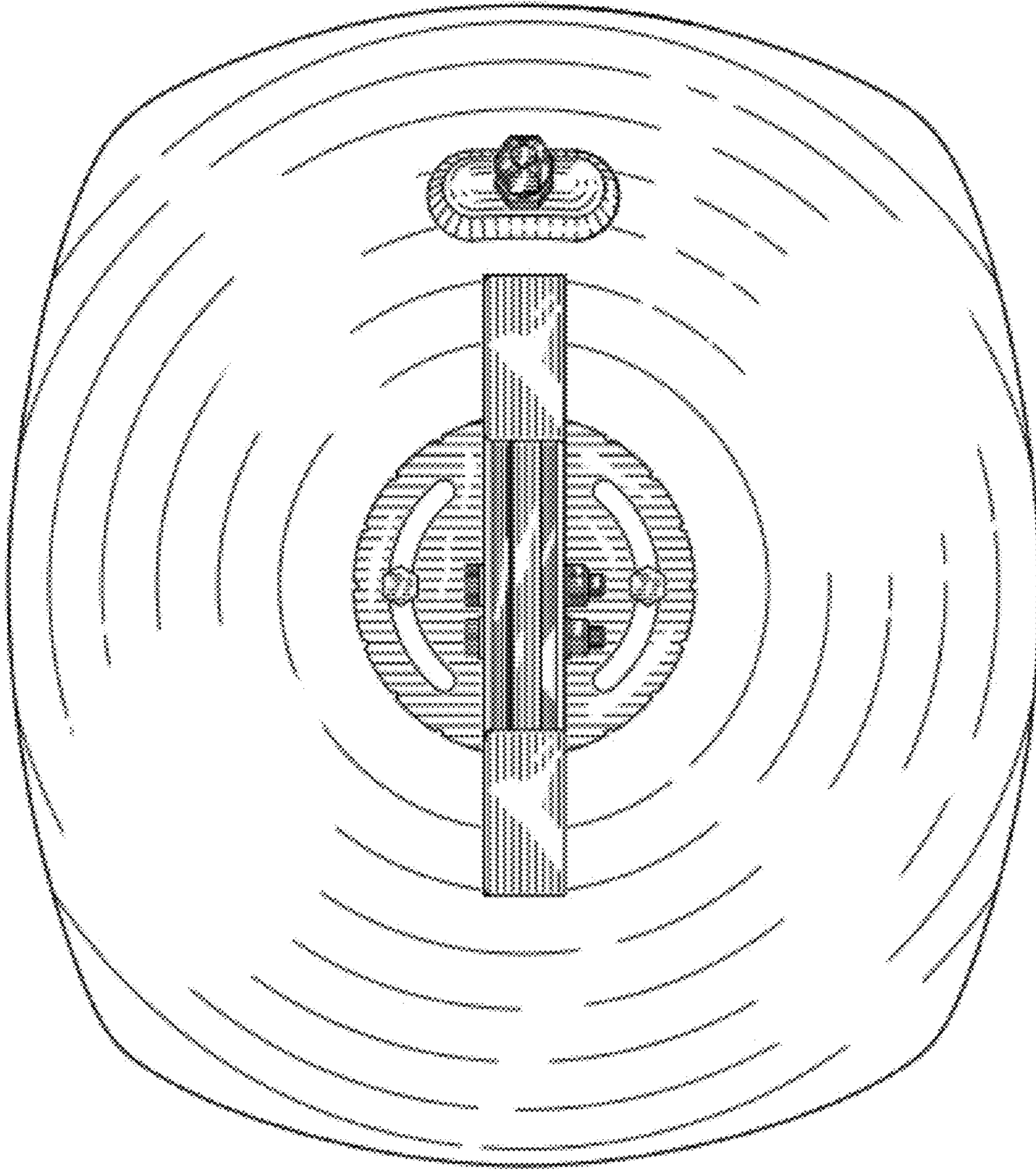


FIG.6

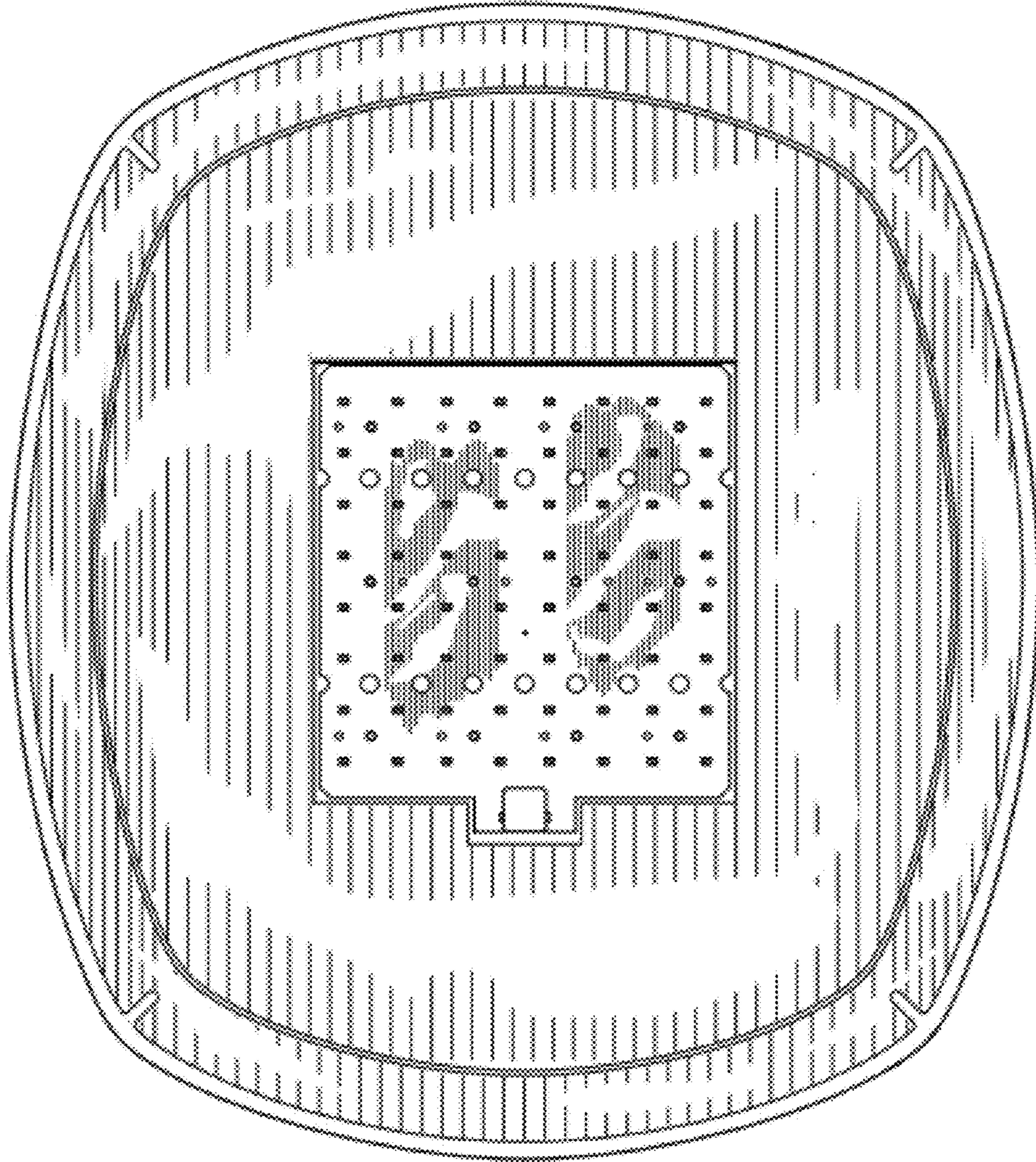


FIG. 7