



US00D676171S

(12) **United States Design Patent**
Boissevain et al.

(10) **Patent No.:** **US D676,171 S**
(45) **Date of Patent:** **** Feb. 12, 2013**

(54) **LIGHT COLUMN**

(75) Inventors: **Christopher James Boissevain**, San Marcos, TX (US); **John William Schach**, Kyle, TX (US); **Joseph Garcia**, San Antonio, TX (US)

(73) Assignee: **Koninklijke Philips Electronics N.V.**, Eindhoven (NL)

(**) Term: **14 Years**

(21) Appl. No.: **29/405,777**

(22) Filed: **Nov. 7, 2011**

(30) **Foreign Application Priority Data**

May 12, 2011 (EM) 001862772-0001

(51) **LOC (9) Cl.** **26-05**

(52) **U.S. Cl.** **D26/68**

(58) **Field of Classification Search** D26/67-71,
D26/85, 92, 104; D25/126; 362/145, 183,
362/431, 231, 268, 292, 297, 298, 300, 307,
362/310

See application file for complete search history.

(56) **References Cited**

U.S. PATENT DOCUMENTS

D290,410	S	*	6/1987	Haggard	D26/68
4,999,749	A	*	3/1991	Dormand	362/153.1
D316,459	S	*	4/1991	Kira	D26/68
D410,553	S	*	6/1999	Compton	D25/126
D438,322	S	*	2/2001	Skradski et al.	D26/68
D438,999	S	*	3/2001	Bossy	D26/68
D443,094	S	*	5/2001	Landefeld	D26/68
D597,695	S	*	8/2009	Dworschak	D26/68
D597,697	S	*	8/2009	Sabernig	D26/68
D610,730	S	*	2/2010	Flaherty et al.	D26/68
7,798,684	B2	*	9/2010	Boissevain	362/431
7,841,734	B2	*	11/2010	Wilcox	362/153
D663,463	S	*	7/2012	Lee et al.	D26/71

* cited by examiner

Primary Examiner — Clare E Heflin

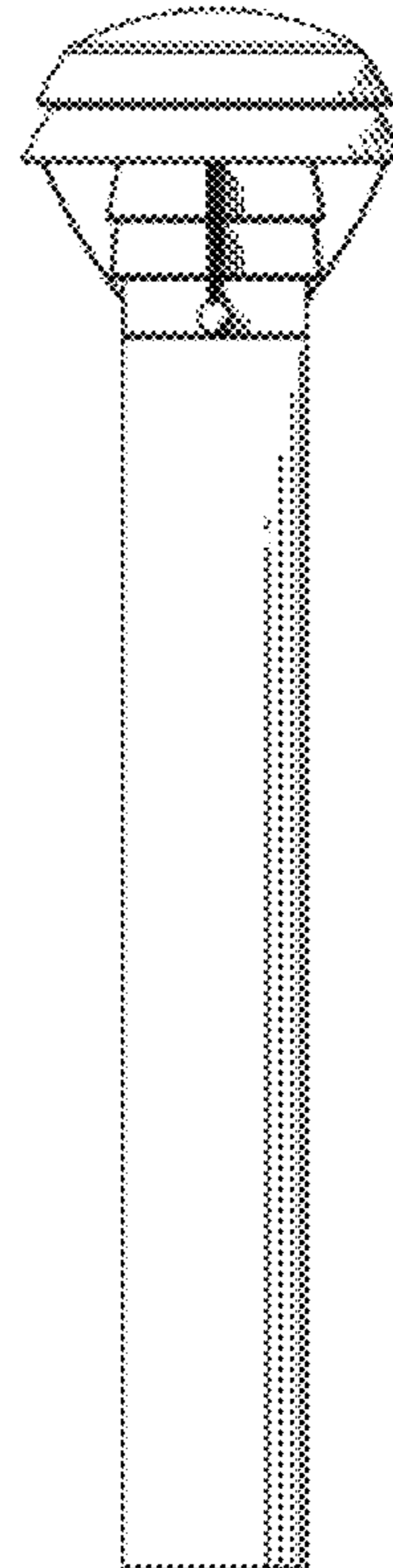
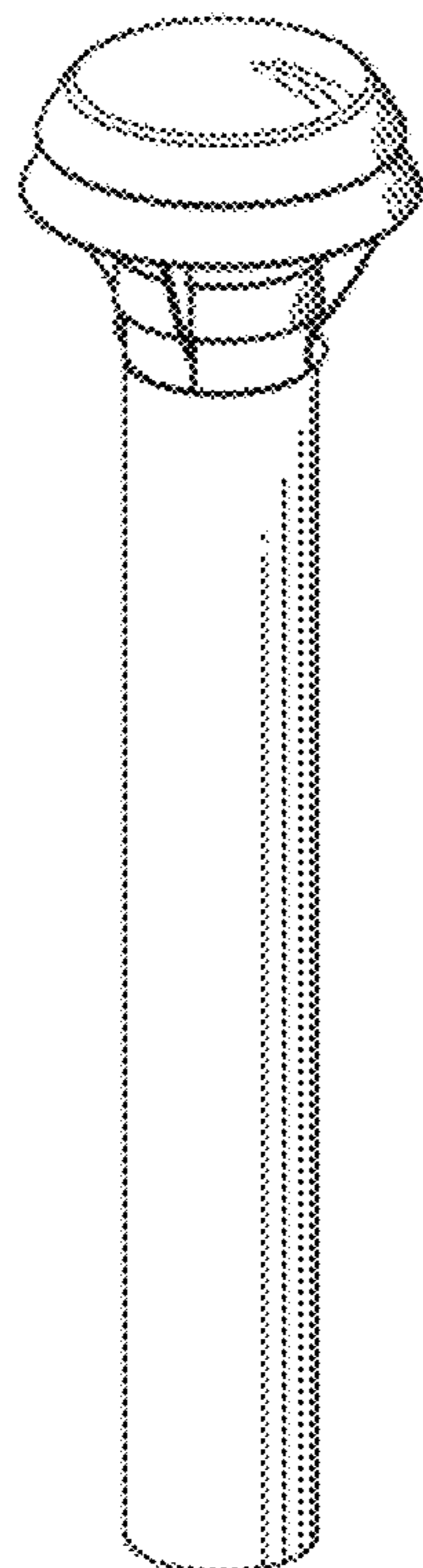
(57) **CLAIM**

The ornamental design for a light column, as shown.

DESCRIPTION

FIG. 1 is a perspective view showing my design;
FIG. 2 is a front elevational view thereof;
FIG. 3 is a rear elevational view thereof;
FIG. 4 is a right side elevational view thereof;
FIG. 5 is a left side elevational view thereof;
FIG. 6 is a top plan view thereof; and,
FIG. 7 is a bottom plan view thereof.

1 Claim, 4 Drawing Sheets



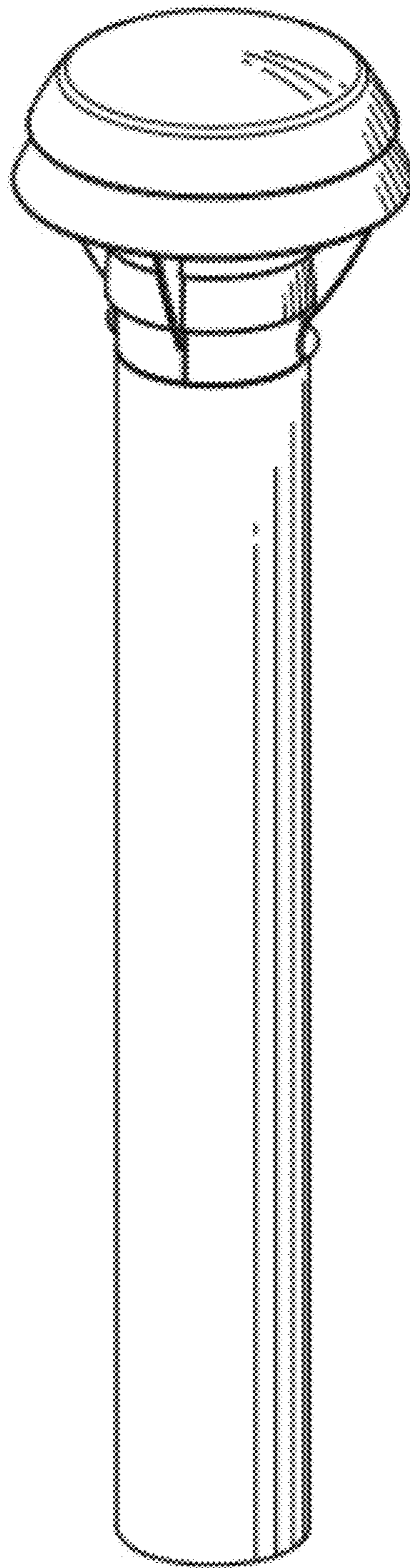


FIG. 1

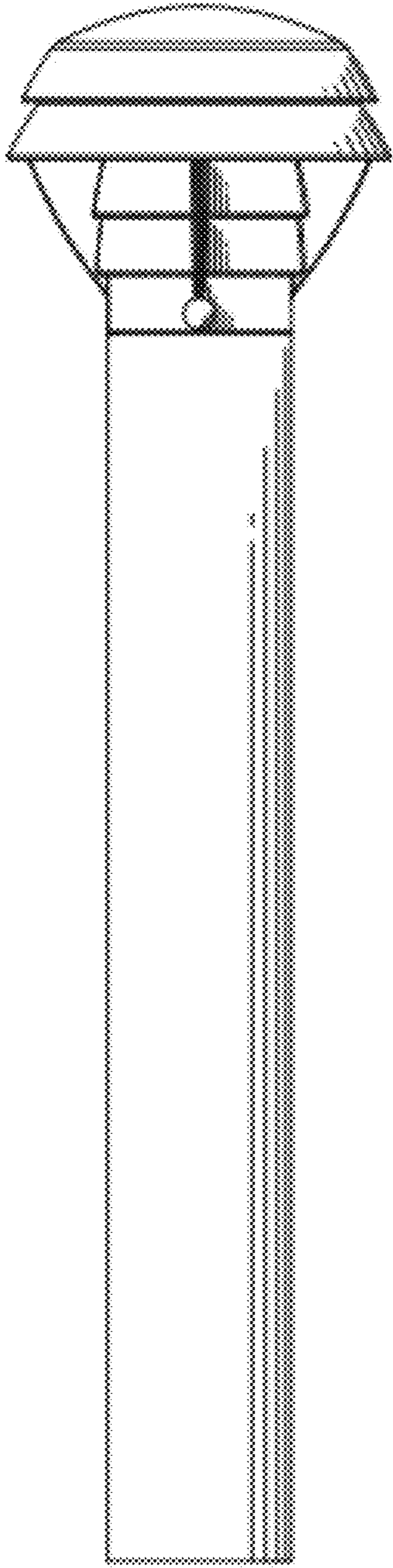


FIG. 2

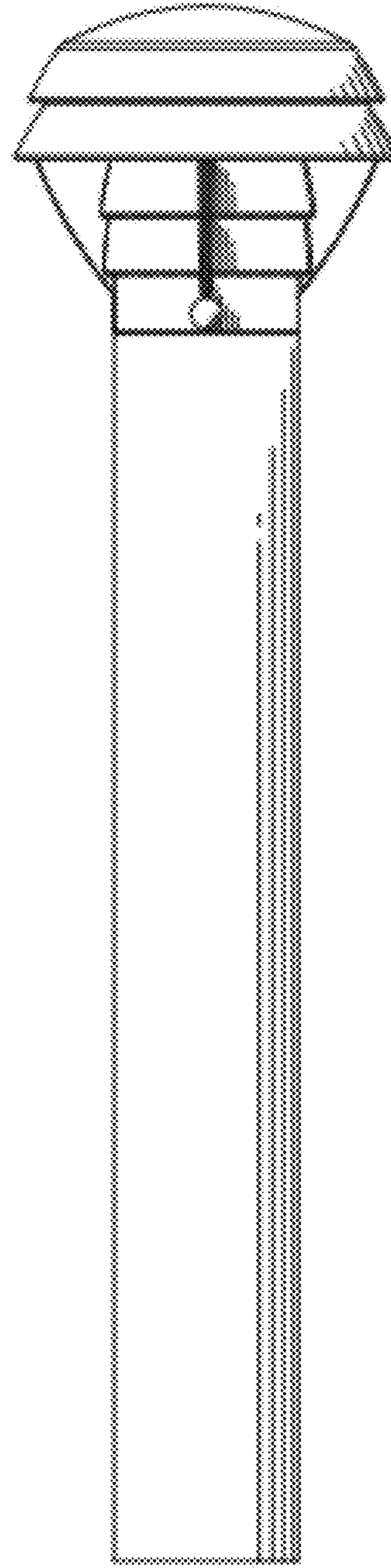


FIG. 3

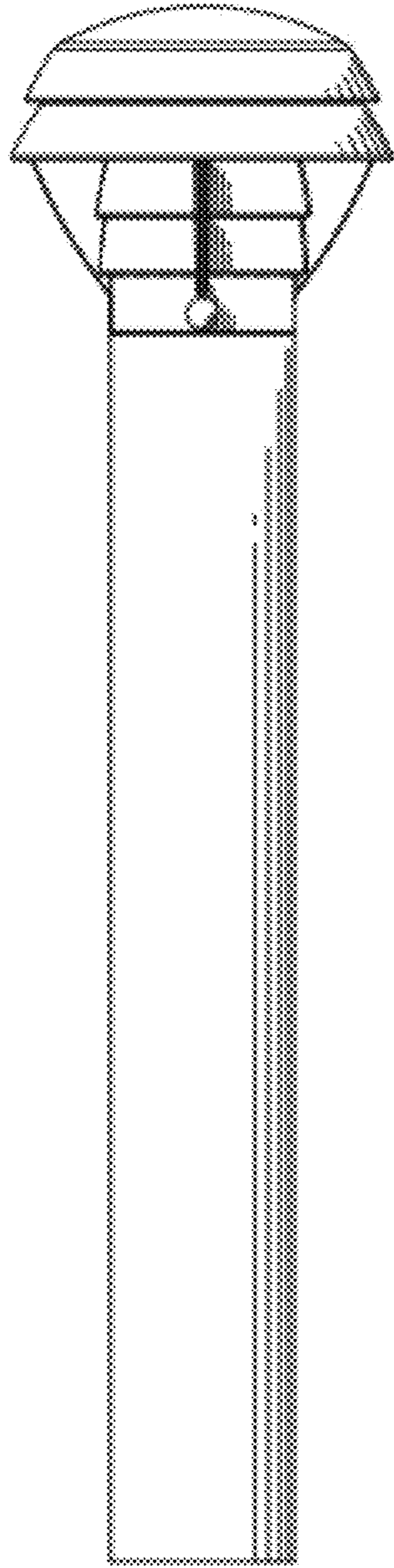


FIG. 4

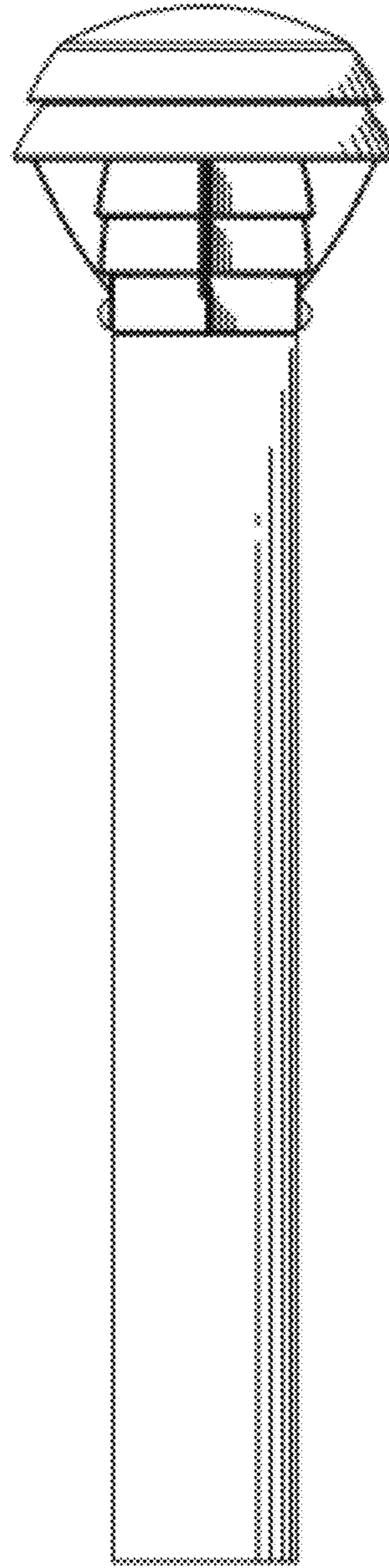


FIG. 5

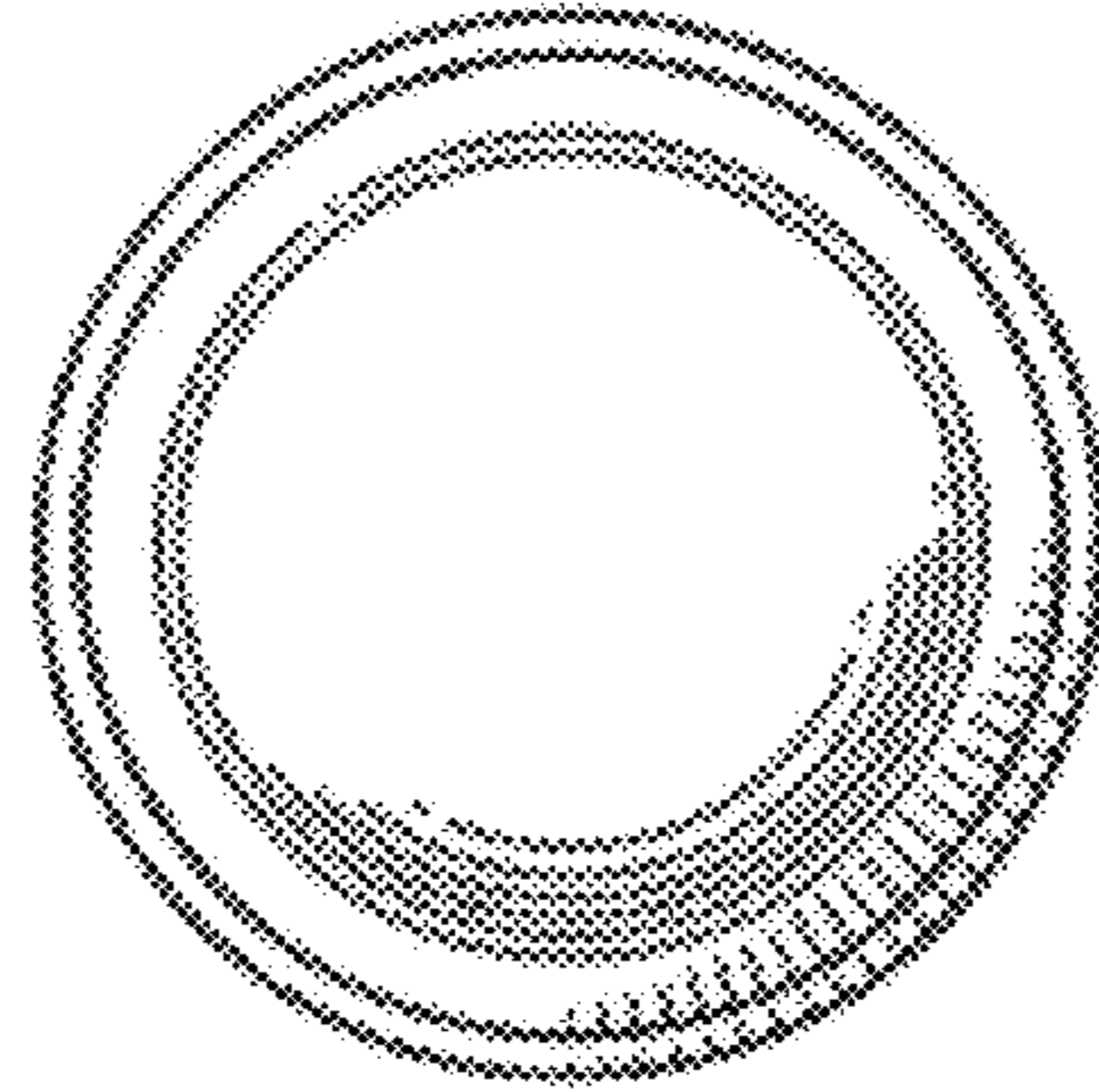


FIG. 6

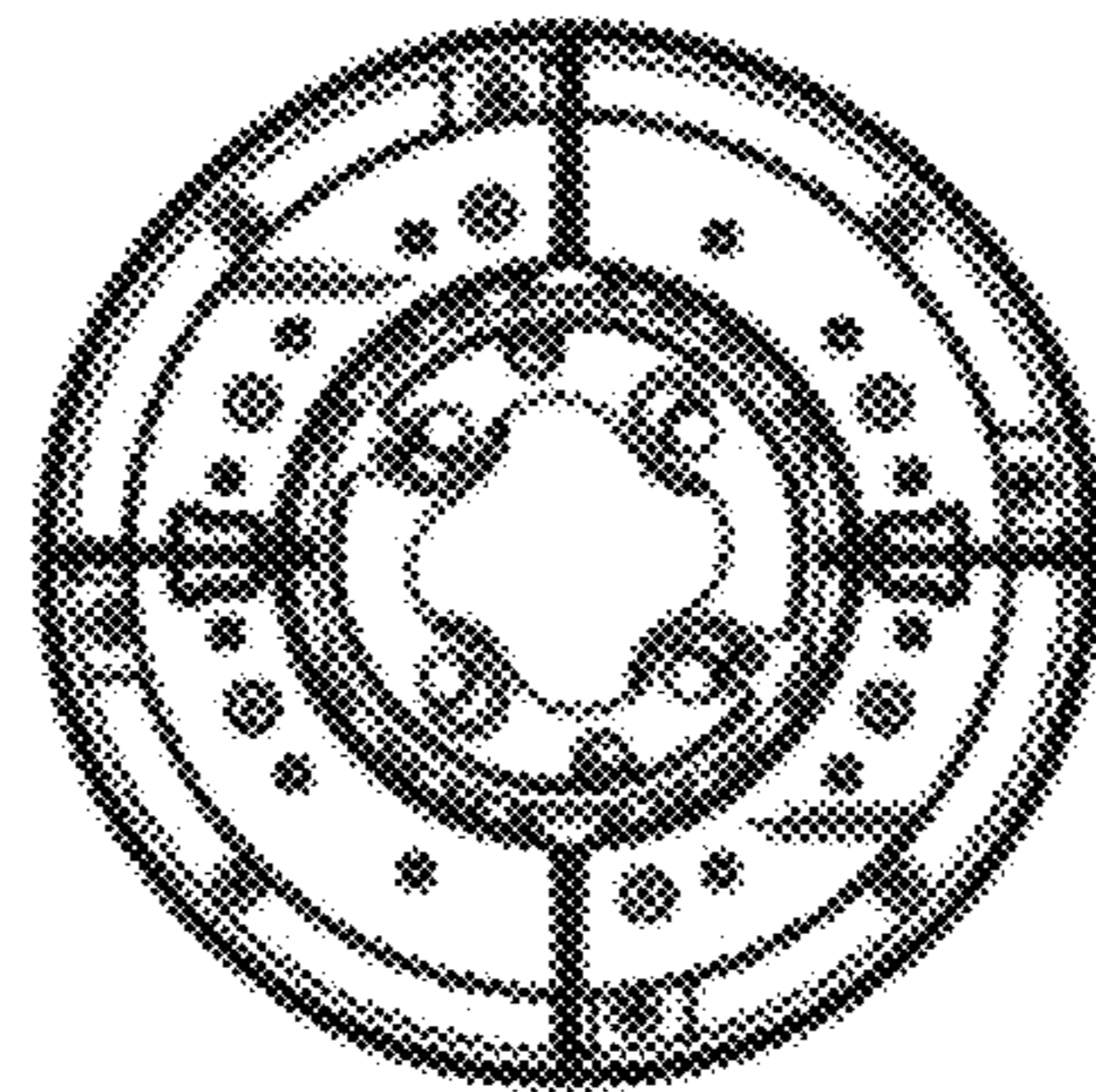


FIG. 7