

US00D676170S

(12) **United States Design Patent**
Feng et al.

(10) **Patent No.:** **US D676,170 S**

(45) **Date of Patent:** **** Feb. 12, 2013**

(54) **PEN LIGHT**

(75) Inventors: **Shao Jian Feng**, Yangjiang (CN); **Chao Jun Ding**, Yangjiang (CN)

(73) Assignee: **Coast Cutlery Company**, Portland, OR (US)

(**) Term: **14 Years**

(21) Appl. No.: **29/419,059**

(22) Filed: **Apr. 24, 2012**

(51) **LOC (9) Cl.** **26-02**

(52) **U.S. Cl.** **D26/38; D26/49**

(58) **Field of Classification Search** D26/37,
D26/38, 46, 49, 50; 362/157, 158, 184, 194,
362/196-208

See application file for complete search history.

(56) **References Cited**

U.S. PATENT DOCUMENTS

D226,824 S *	5/1973	Staub	D24/150
D229,854 S *	1/1974	Bajusz	D26/49
D244,796 S *	6/1977	Staub	D26/49
D310,425 S	9/1990	Sharrah		
D371,214 S *	6/1996	Terry, Sr.	D26/49
D419,254 S *	1/2000	Chiu	D26/49
D419,704 S *	1/2000	Ting	D26/37
D430,321 S	8/2000	Sharrah		
D452,024 S	12/2001	Sharrah		
6,402,340 B1	6/2002	Sharrah et al.		
6,491,409 B1	12/2002	Sharrah et al.		
D468,850 S	1/2003	Sharrah et al.		
D479,888 S	9/2003	Sharrah et al.		
D495,076 S *	8/2004	Mandel	D26/37
6,811,280 B1	11/2004	Sharrah et al.		
D499,499 S *	12/2004	Cetera	D26/37
6,857,758 B1	2/2005	Sharrah et al.		
6,874,908 B2	4/2005	Sharrah et al.		
6,886,960 B2	5/2005	Sharrah et al.		
D507,364 S *	7/2005	Lo	D26/37
D508,748 S *	8/2005	Man	D26/37
D521,164 S	5/2006	Sharrah		
7,083,300 B2	8/2006	Sharrah et al.		
D548,863 S *	8/2007	Shiu	D26/37
D578,236 S	10/2008	Dalton		
D603,541 S *	11/2009	Shiu	D26/49
7,652,216 B2	1/2010	Sharrah et al.		

D612,968 S *	3/2010	Ma	D26/49
D622,428 S *	8/2010	Crawford et al.	D26/37
7,880,100 B2	2/2011	Sharrah et al.		
7,954,978 B2	6/2011	Sharrah et al.		
D649,275 S	11/2011	Crawford et al.		
D655,027 S *	2/2012	Milz et al.	D26/49
2006/0181870 A1	8/2006	Sharrah et al.		
2009/0323344 A1	12/2009	Crawford et al.		

* cited by examiner

Primary Examiner — Ian Simmons

Assistant Examiner — Carissa C Fitts

(74) *Attorney, Agent, or Firm* — Schwabe, Williamson & Wyatt, P.C.

(57) **CLAIM**

I claim an ornamental design for a pen light, as shown and described.

DESCRIPTION

FIG. 1 is a perspective view of an embodiment of the pen light;

FIG. 2 is a different perspective view of the pen light illustrated in FIG. 1;

FIG. 3 is a top view of the pen light illustrated in FIG. 1;

FIG. 4 is a bottom view of the pen light illustrated in FIG. 1;

FIG. 5 is a right side view of the pen light illustrated in FIG. 1, the left side view being a mirror image of the right side view;

FIG. 6 is an enlarged front view of the pen light illustrated in FIG. 1;

FIG. 7 is an enlarged rear view of the pen light illustrated in FIG. 1;

FIG. 8 is a perspective view of another embodiment of the pen light;

FIG. 9 is a different perspective view of the pen light illustrated in FIG. 8;

FIG. 10 is a top view of the pen light illustrated in FIG. 8;

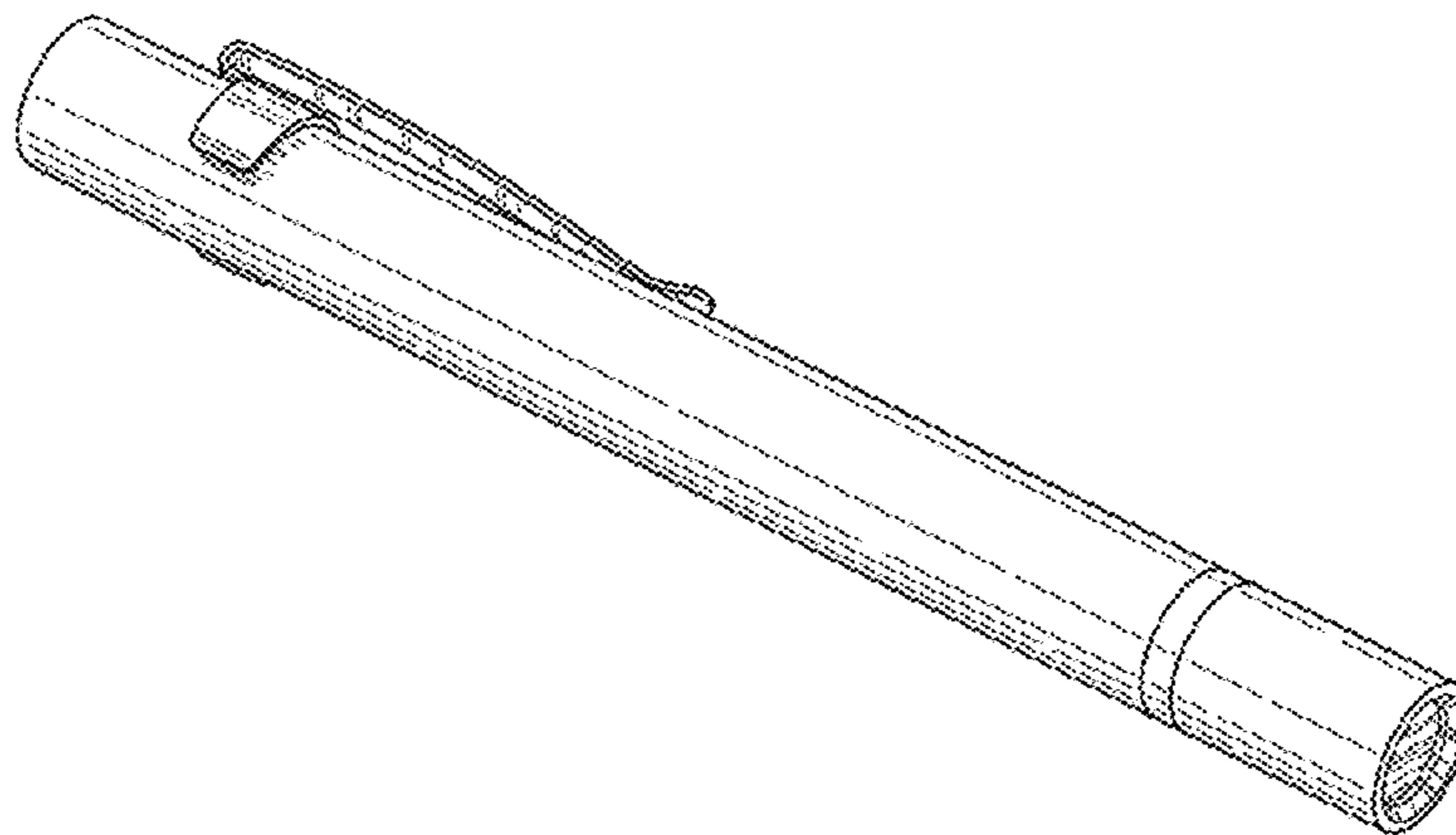
FIG. 11 is a bottom view of the pen light illustrated in FIG. 8;

FIG. 12 is a right side view of the pen light illustrated in FIG. 8, the left side view being a mirror image of the right side view;

FIG. 13 is an enlarged front view of the pen light illustrated in FIG. 8; and,

FIG. 14 is an enlarged rear view of the pen light illustrated in FIG. 8.

1 Claim, 8 Drawing Sheets



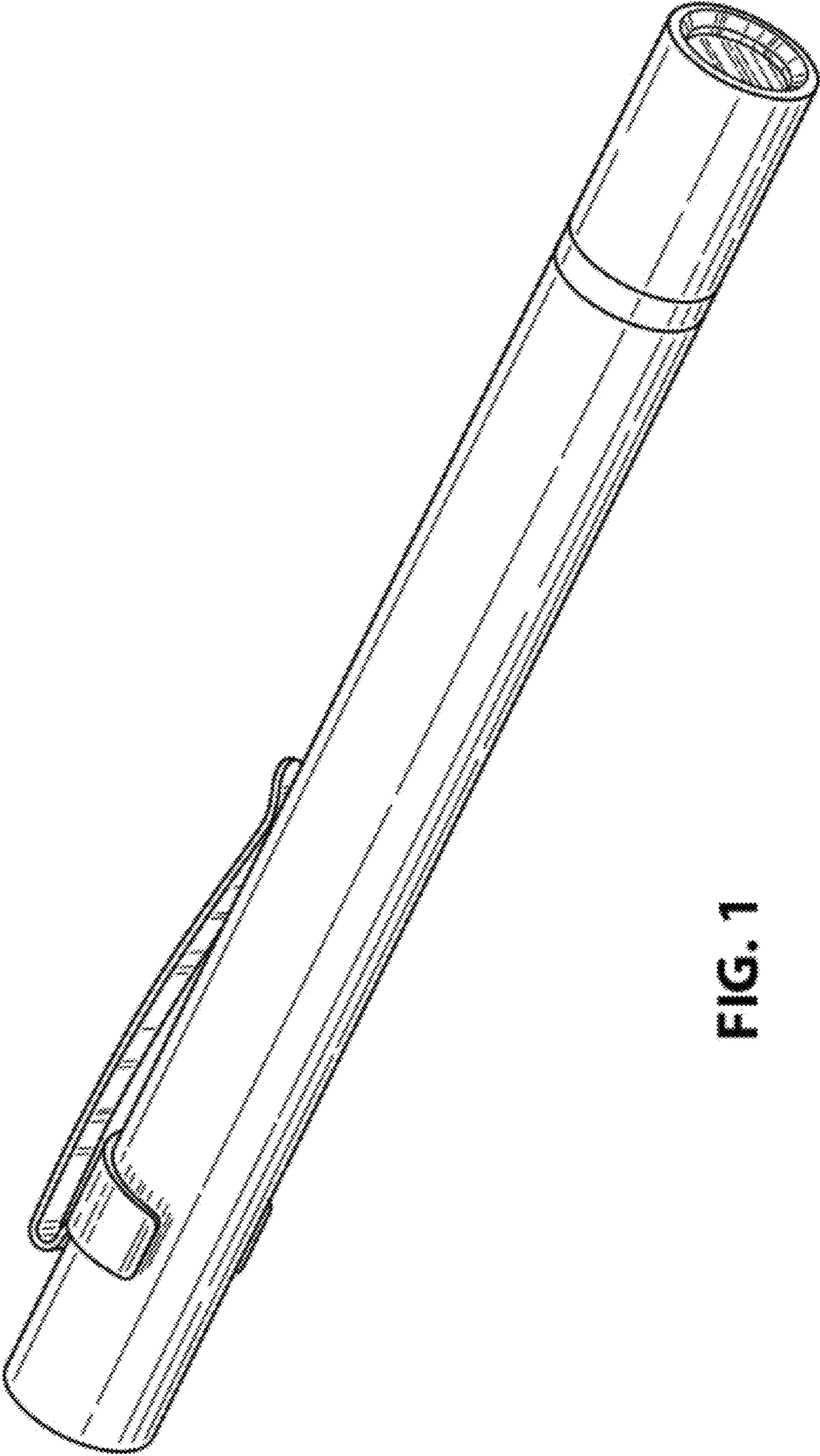


FIG. 1

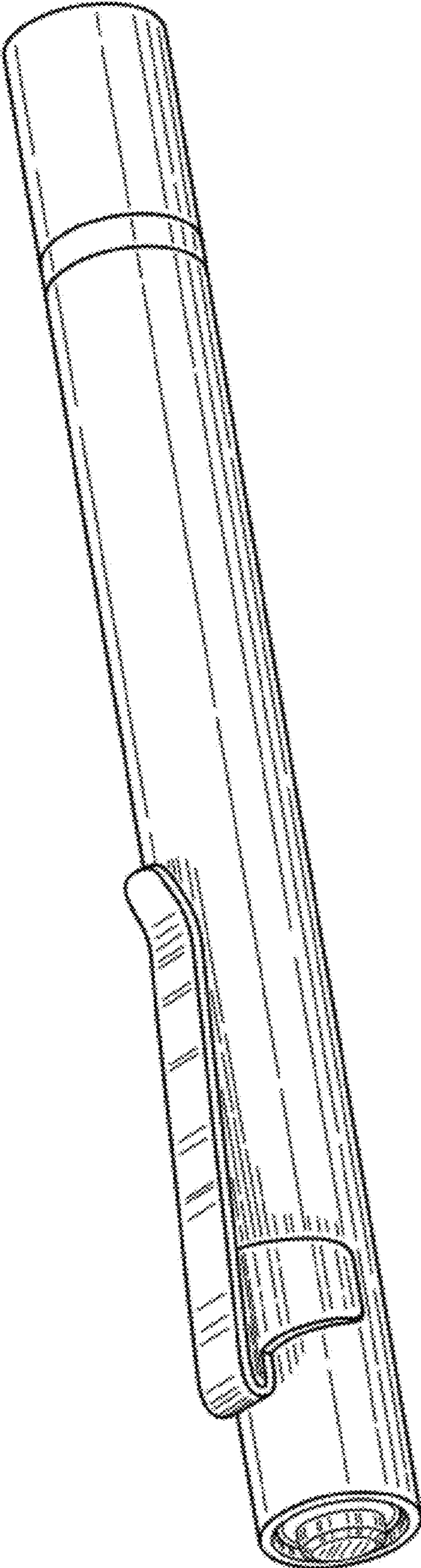


FIG. 2

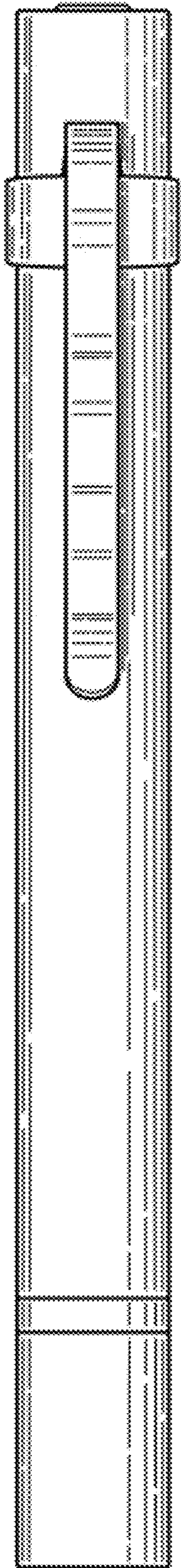


FIG. 3

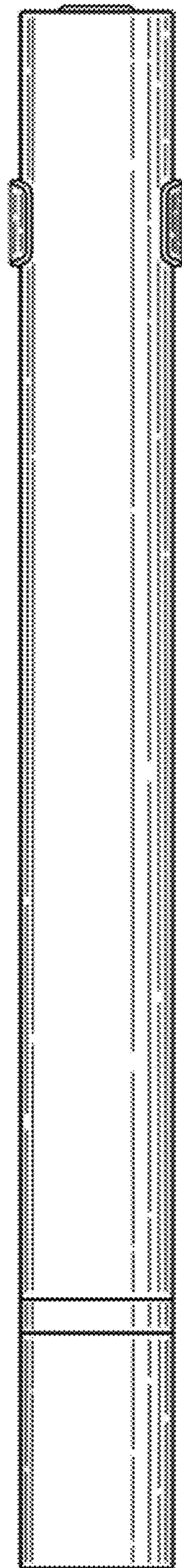


FIG. 4

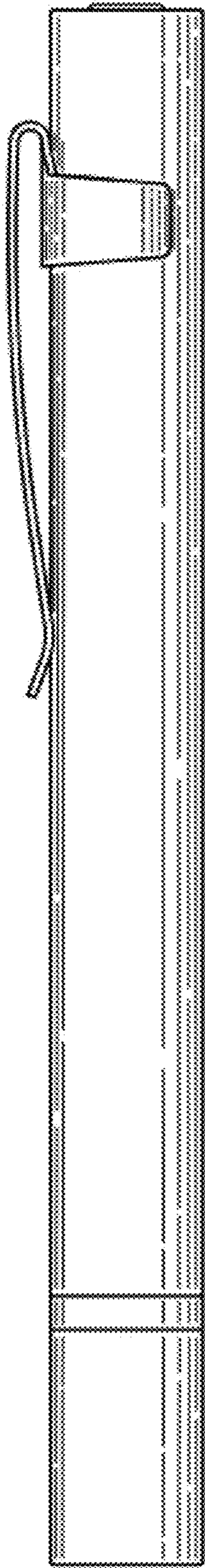


FIG. 5

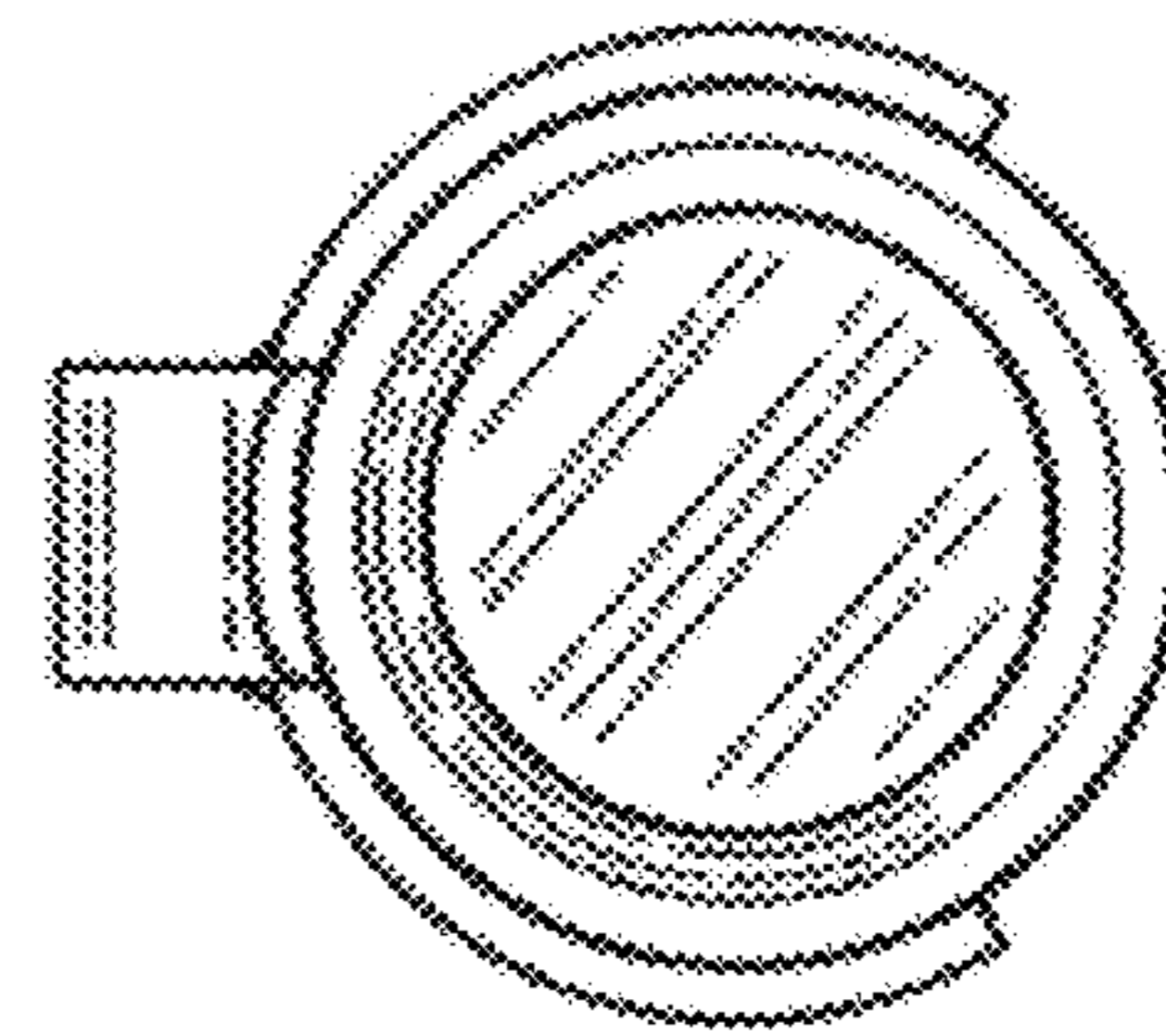


FIG. 6

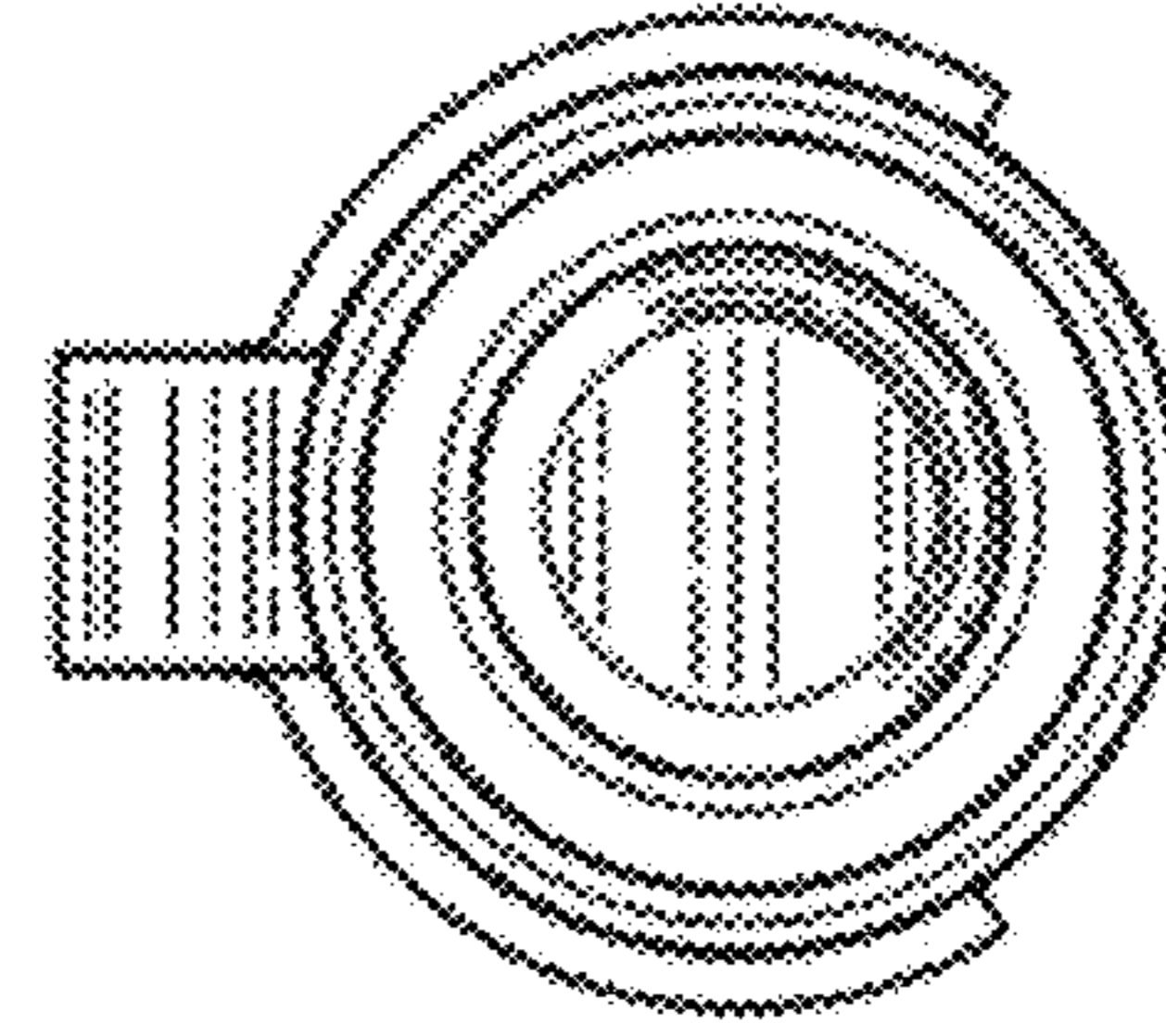


FIG. 7

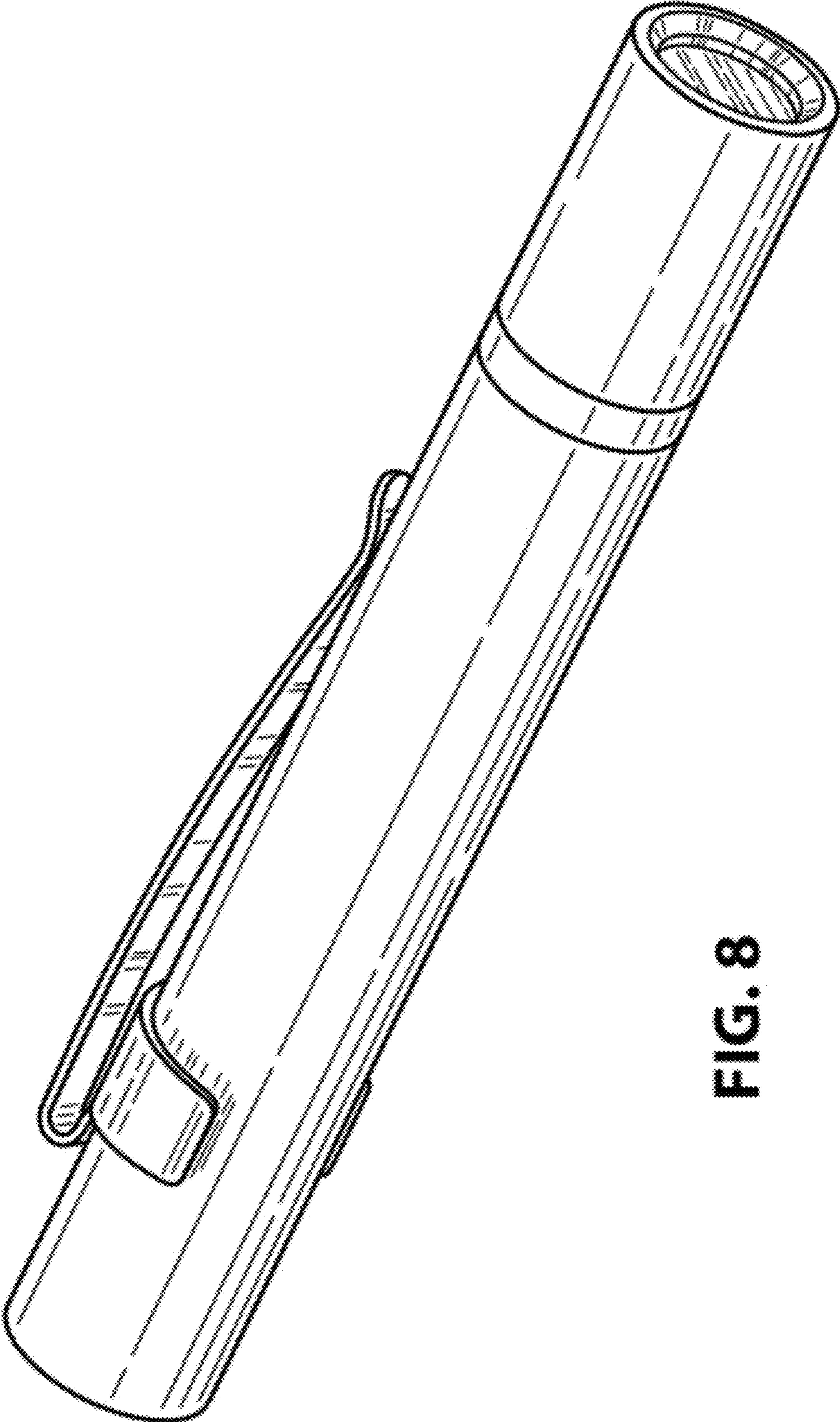


FIG. 8

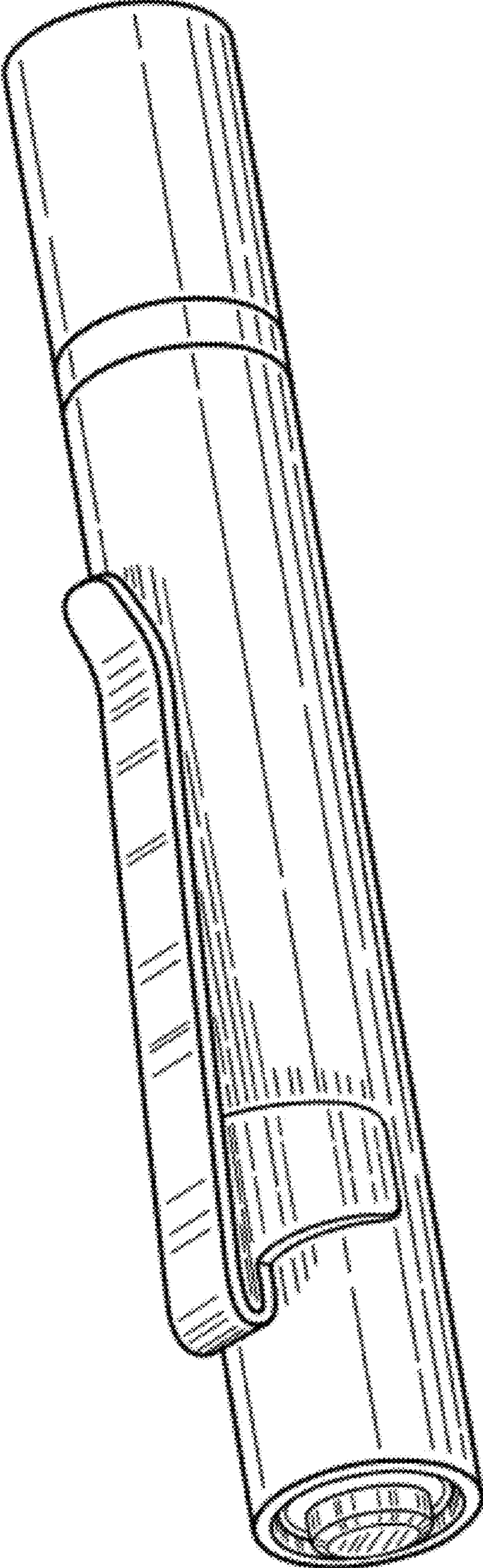


FIG. 9

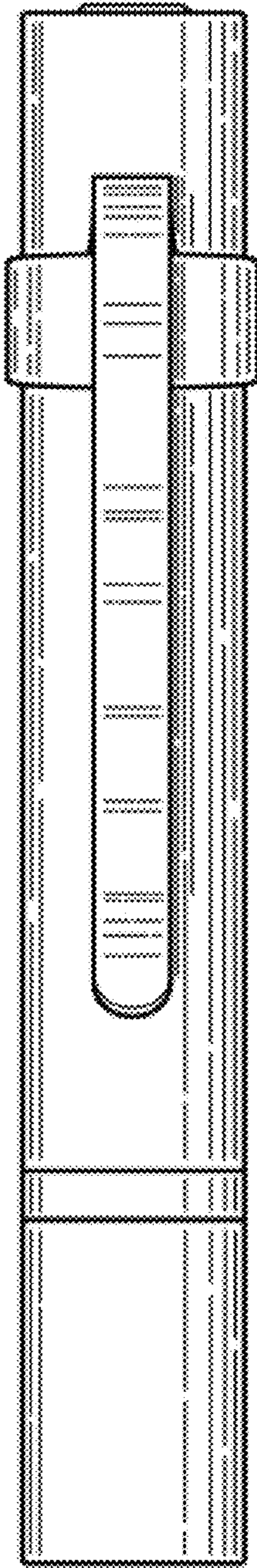


FIG. 10

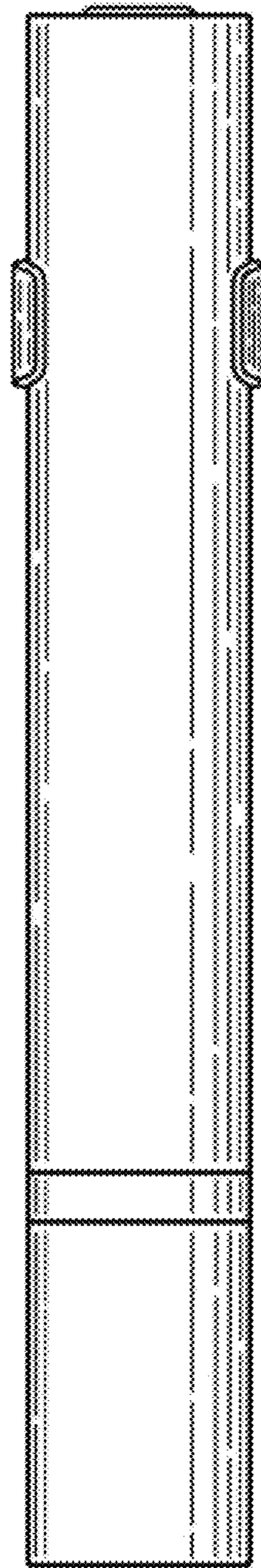


FIG. 11

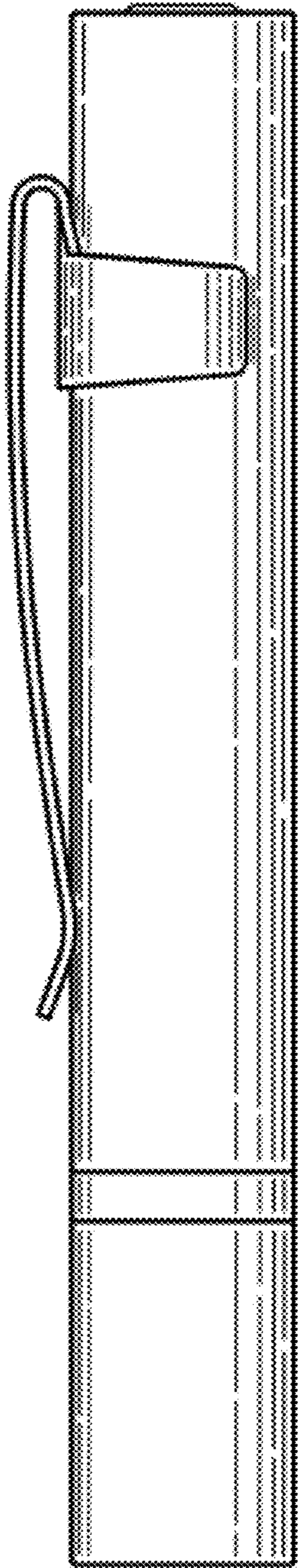


FIG. 12

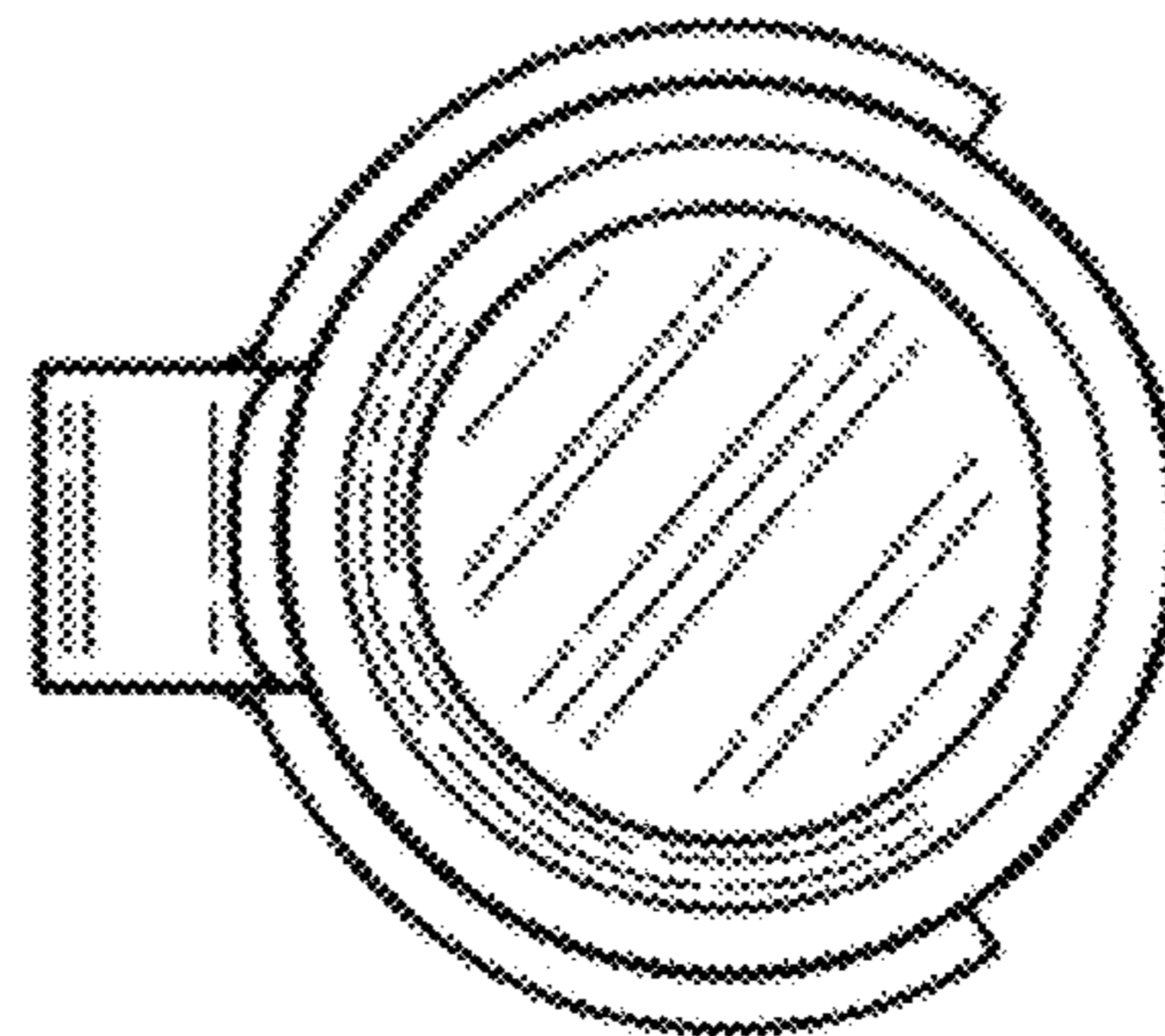


FIG. 13

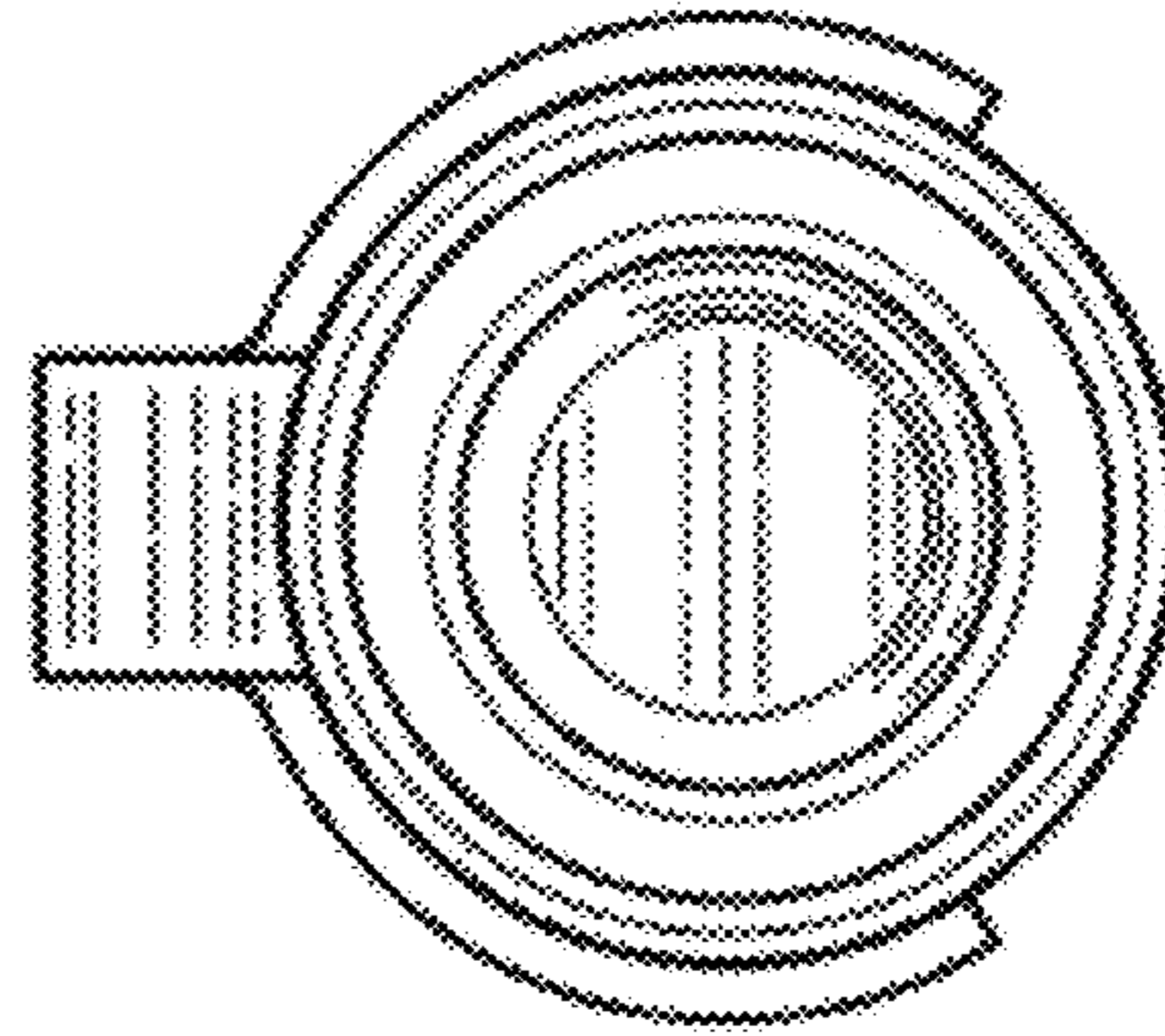


FIG. 14