



US00D676168S

(12) **United States Design Patent**
Lai

(10) **Patent No.:** **US D676,168 S**

(45) **Date of Patent:** **** Feb. 12, 2013**

(54) **EXTERIOR SURFACE CONFIGURATION OF
VEHICULAR HEADLIGHT**

(75) Inventor: **Ching-Tsung Lai**, Tainan (TW)

(73) Assignee: **Litek Enterprise Co., Ltd.**, Tainan
(TW)

(**) Term: **14 Years**

(21) Appl. No.: **29/427,112**

(22) Filed: **Jul. 13, 2012**

(51) **LOC (9) Cl.** **26-06**

(52) **U.S. Cl.** **D26/28**

(58) **Field of Classification Search** D26/28-36;
362/459-468, 475-478, 485-487

See application file for complete search history.

(56) **References Cited**

U.S. PATENT DOCUMENTS

D536,113	S	*	1/2007	Pfeiffer	D26/28
D537,180	S	*	2/2007	Hsu	D26/28
D556,349	S	*	11/2007	Golden et al.	D26/28
D561,358	S	*	2/2008	Tachibana	D26/28

* cited by examiner

Primary Examiner — Marcus Jackson

(74) *Attorney, Agent, or Firm* — Muncy, Geissler, Olds & Lowe, PLLC

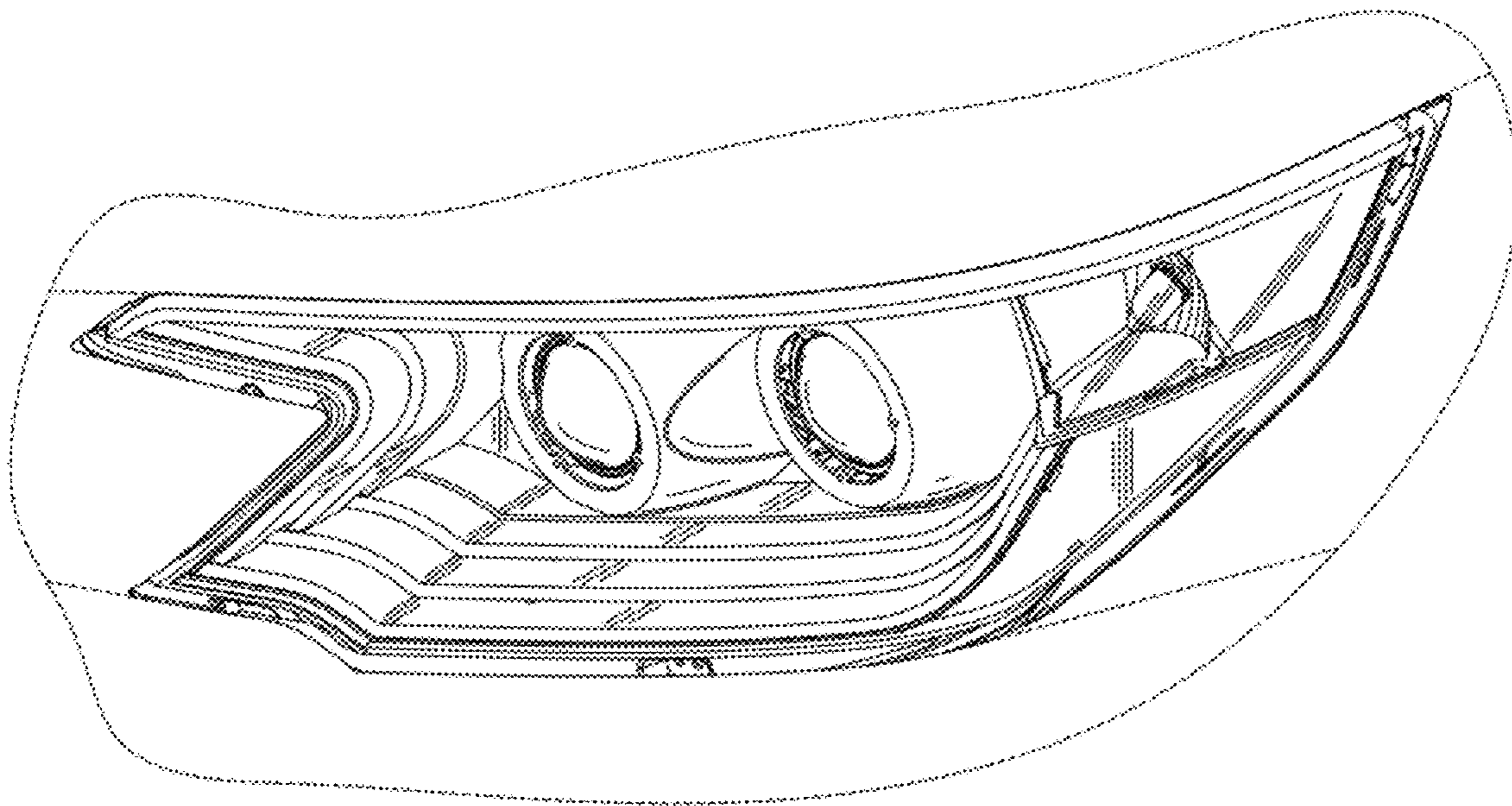
(57) **CLAIM**

I claim, the ornamental design for an exterior surface configuration of a vehicular headlight, as shown and described.

DESCRIPTION

FIG. 1 is a perspective view of an exterior surface configuration of a vehicular headlight showing my present design; FIG. 2 is a front view thereof; FIG. 3 is a right view thereof; and, FIG. 4 is a top plan view thereof.

1 Claim, 4 Drawing Sheets



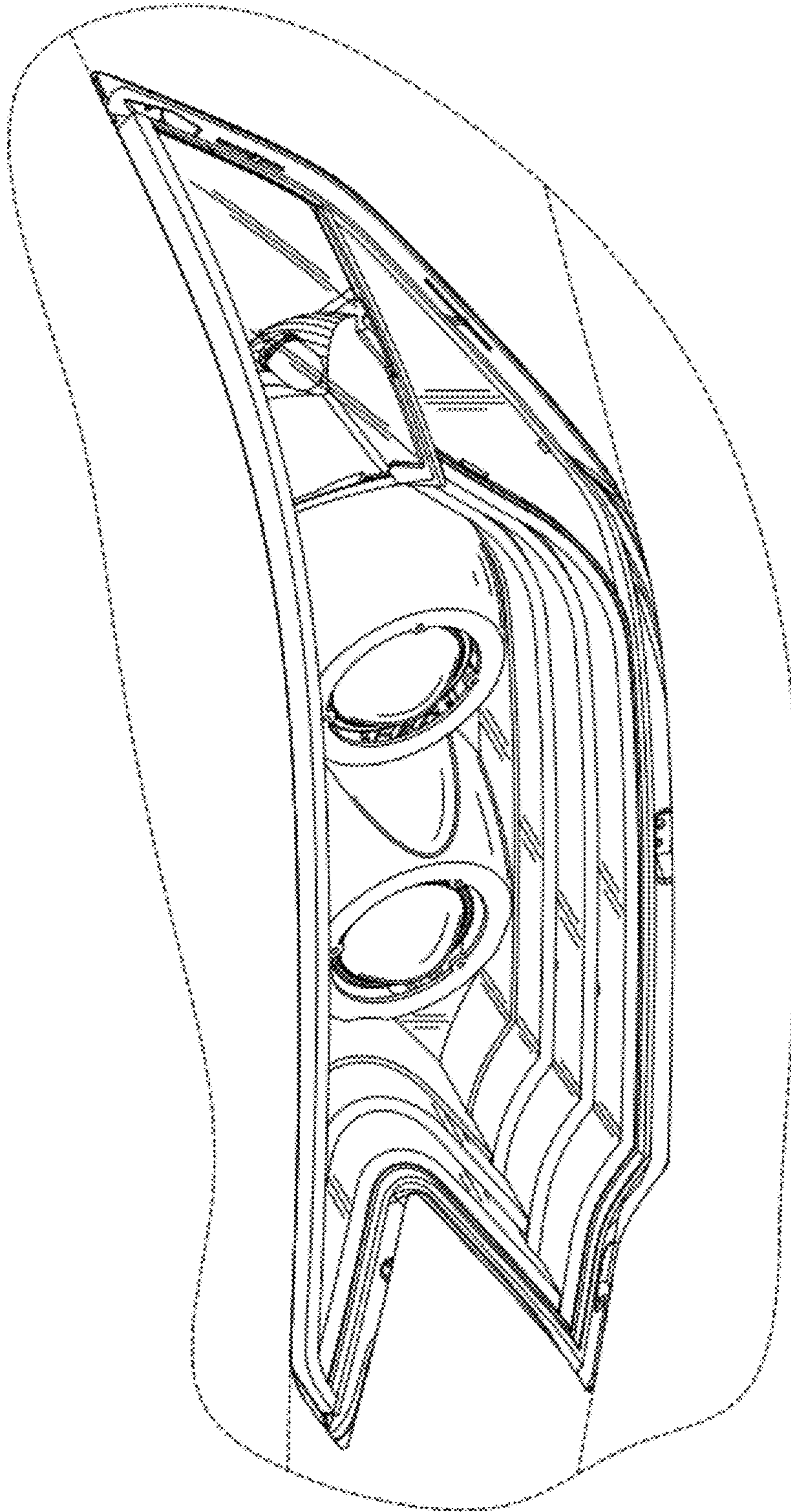


FIG. 1

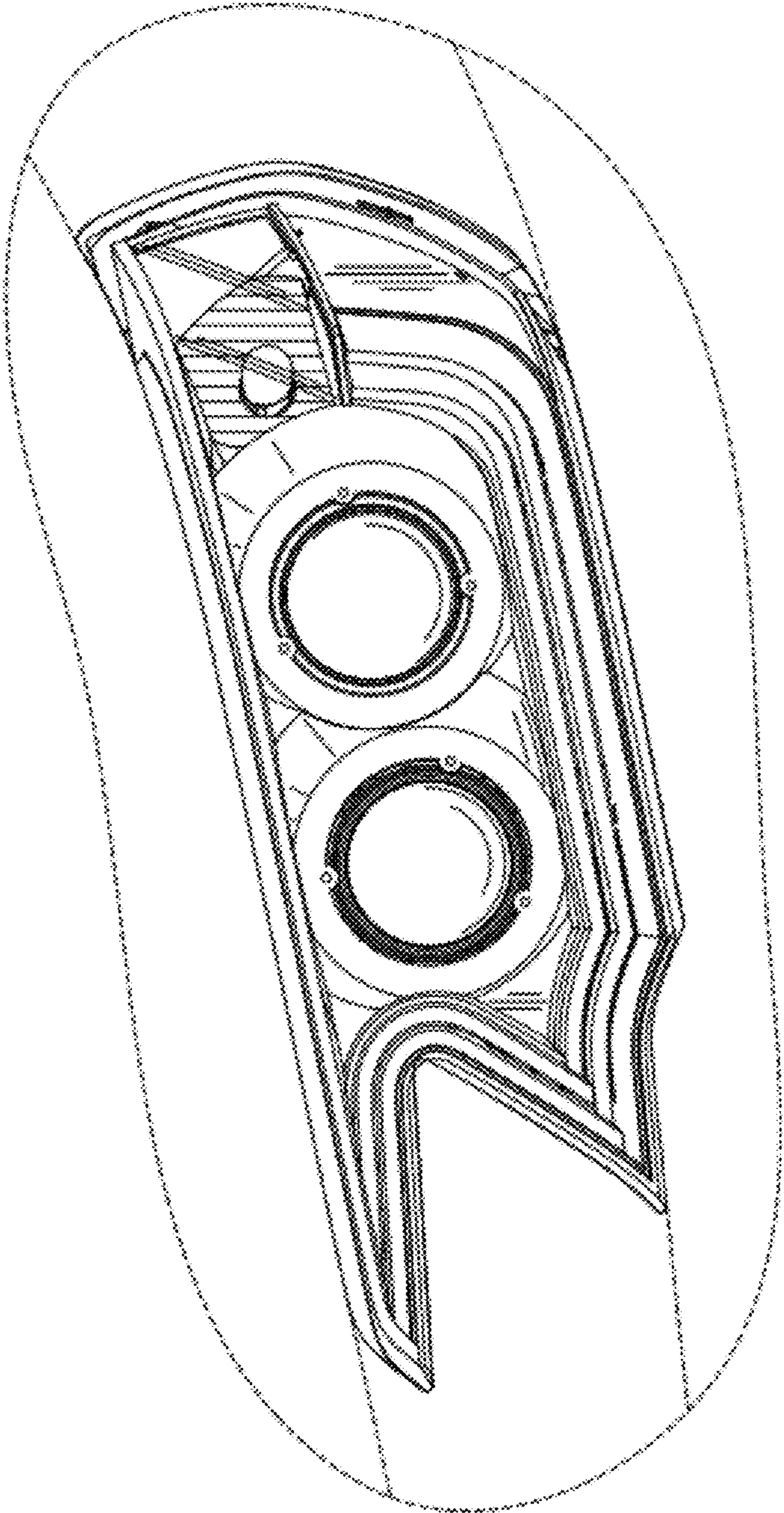


FIG. 2

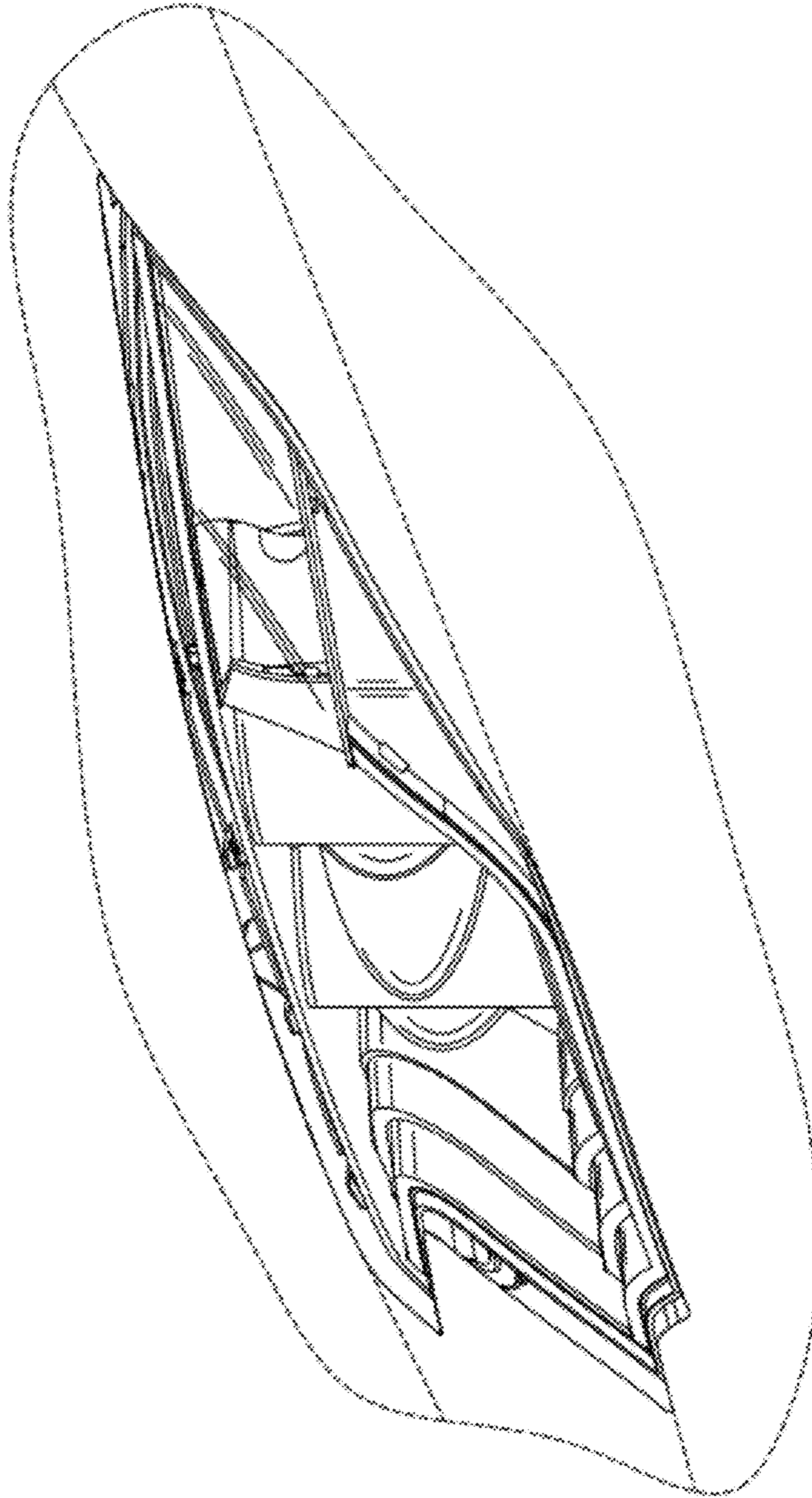


FIG. 3

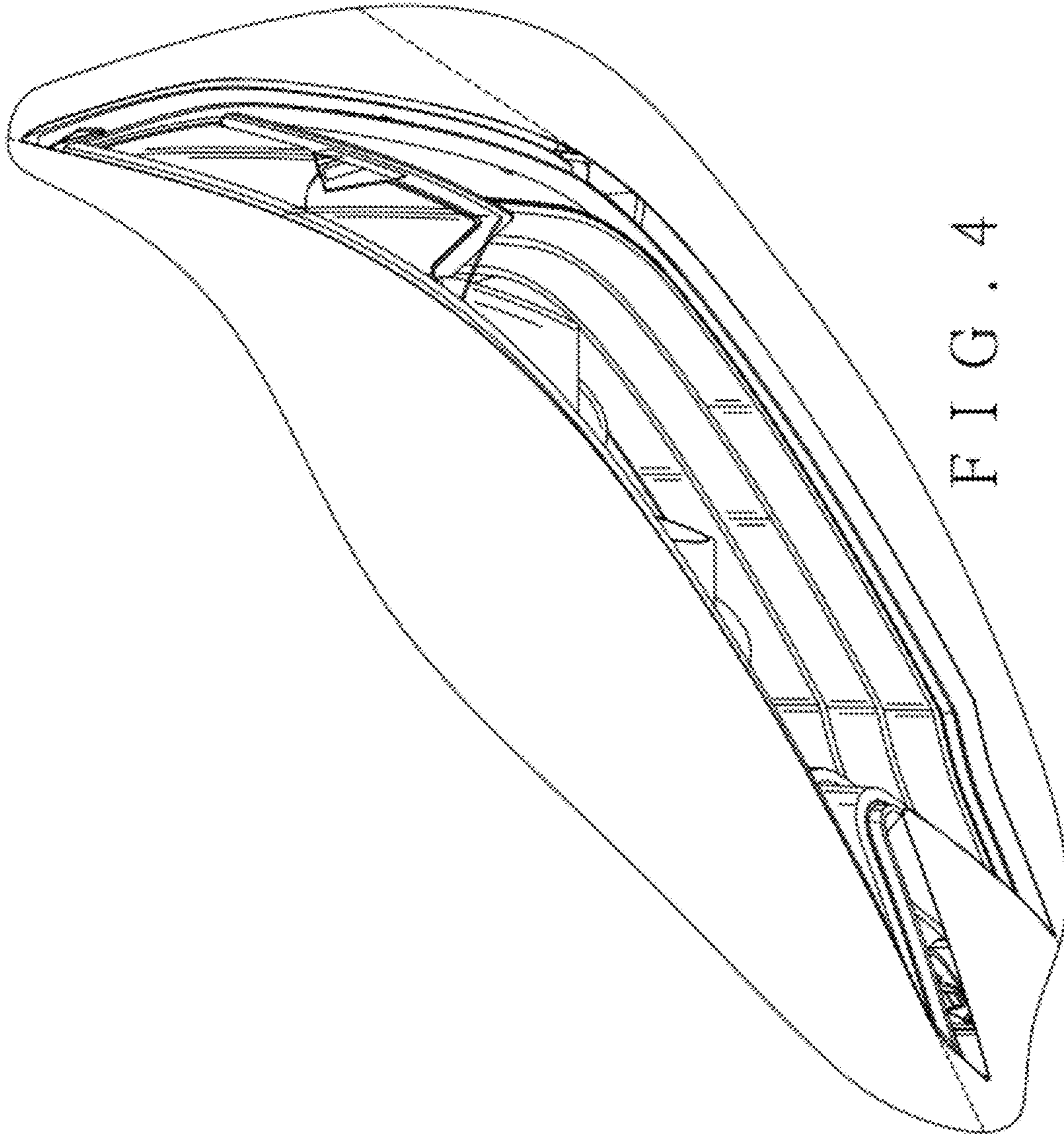


FIG. 4