



US00D676164S

(12) **United States Design Patent**  
**Tada et al.**

(10) **Patent No.:** **US D676,164 S**  
(45) **Date of Patent:** **\*\* Feb. 12, 2013**

(54) **FRONT COMBINATION LAMP FOR AN AUTOMOBILE**

(75) Inventors: **Hiroyuki Tada**, Nagoya (JP); **Masayuki Yamaji**, Miyoshi (JP); **Syouta Asano**, Toyota (JP)

(73) Assignee: **Toyota Jidosha Kabushiki Kaisha**, Toyota-shi (JP)

(\*\*) Term: **14 Years**

(21) Appl. No.: **29/424,057**

(22) Filed: **Jun. 7, 2012**

(30) **Foreign Application Priority Data**

Mar. 9, 2012 (JP) ..... 2012-005399

(51) **LOC (9) Cl.** ..... **26-06**

(52) **U.S. Cl.** ..... **D26/28**

(58) **Field of Classification Search** ..... D26/26-36;  
362/459-468, 475-478, 485-487

See application file for complete search history.

(56) **References Cited**

**U.S. PATENT DOCUMENTS**

D528,681 S *	9/2006	Nakahara	.....	D26/28
D528,685 S *	9/2006	Yoshida	.....	D26/28
D544,114 S *	6/2007	Ohta	.....	D26/28
D544,614 S *	6/2007	Markefka	.....	D26/28
D549,857 S *	8/2007	Lin	.....	D26/28
D556,349 S *	11/2007	Golden et al.	.....	D26/28
D561,358 S *	2/2008	Tachibana	.....	D26/28

**OTHER PUBLICATIONS**

AutoCone.com; FunCargo; Mfg.: Toyota; <http://autoc-onejp/toyota/funcargo/photo/2/> 2004.

Yunyusa no subete 2007; Kangoo; Mfg.: Renault; Publisher: San-eishobo Publishing Co., Ltd.; May 6, 2007.

Yunyusa no subete 2007; Peugeot 1007; Mfg.: Renault; Publisher: San-eishobo Publishing Co., Ltd.; May 6, 2007.

\* cited by examiner

*Primary Examiner* — Marcus Jackson

(74) *Attorney, Agent, or Firm* — Finnegan, Henderson, Farabow, Garrett & Dunner, LLP

(57) **CLAIM**

The ornamental design for a front combination lamp for an automobile, as shown and described.

**DESCRIPTION**

FIG. 1 is a perspective view of a front combination lamp for an automobile showing our new design;

FIG. 2 is a front view thereof;

FIG. 3 is a rear view thereof;

FIG. 4 is a right side elevation view thereof;

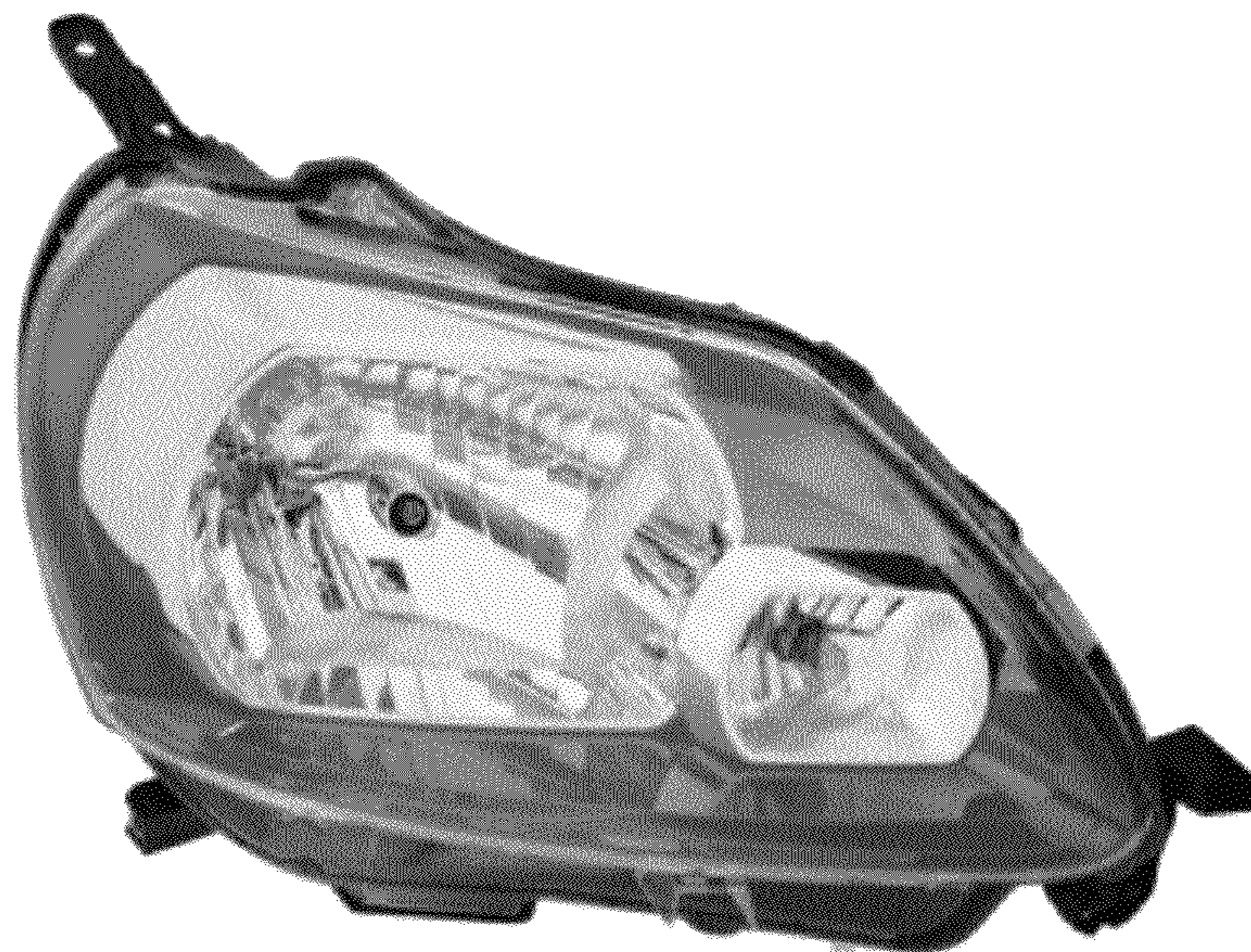
FIG. 5 is a left side elevation view thereof;

FIG. 6 is a top plan view thereof; and,

FIG. 7 is a bottom view thereof.

Our design includes a mirror image of the embodiment depicted.

**1 Claim, 4 Drawing Sheets**





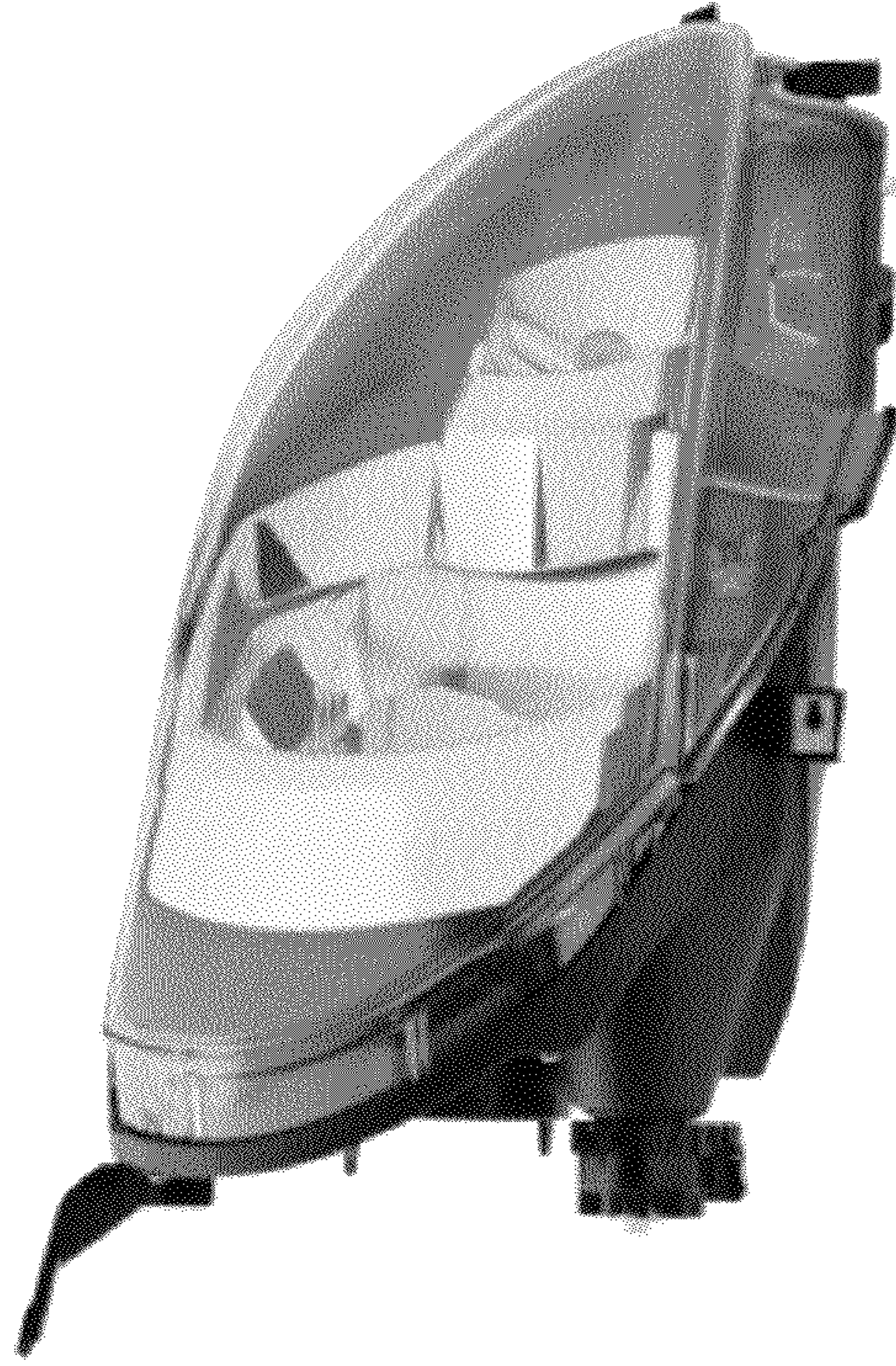
**FIG. 1**



**FIG. 3**



**FIG. 2**



**FIG. 5**



**FIG. 4**



**FIG. 7**



**FIG. 6**