



US00D676163S

(12) **United States Design Patent**
Tanaka

(10) **Patent No.:** **US D676,163 S**

(45) **Date of Patent:** **** Feb. 12, 2013**

(54) **COMBINATION LAMP FOR AN AUTOMOBILE**

(75) Inventor: **Daisuke Tanaka**, Hino (JP)

(73) Assignee: **Toyota Jidosha Kabushiki Kaisha** (JP)

(**) Term: **14 Years**

(21) Appl. No.: **29/423,410**

(22) Filed: **May 31, 2012**

(51) **LOC (9) Cl.** **26-06**

(52) **U.S. Cl.** **D26/28**

(58) **Field of Classification Search** D26/28-36;
362/459-468, 475-478, 485-487

See application file for complete search history.

(56) **References Cited**

U.S. PATENT DOCUMENTS

D550,380 S *	9/2007	Lin et al.	D26/28
D552,769 S *	10/2007	Leclercq	D26/28
D565,211 S *	3/2008	Haller et al.	D26/28
D602,616 S *	10/2009	Okamura et al.	D26/28

OTHER PUBLICATIONS

Toyota, Toyota Etios Liva, <http://www.toyotabharat.com/>, available at least as early as Apr. 25, 2012.

Suzuki, Suzuki Alto, Netcarshow.com, http://www.netcarshow.com/suzuki/2009-alto/800x600/wallpaper_07.htm, available at least as early as 2009.

* cited by examiner

Primary Examiner — Marcus Jackson

(74) *Attorney, Agent, or Firm* — SAIDMAN DesignLaw Group

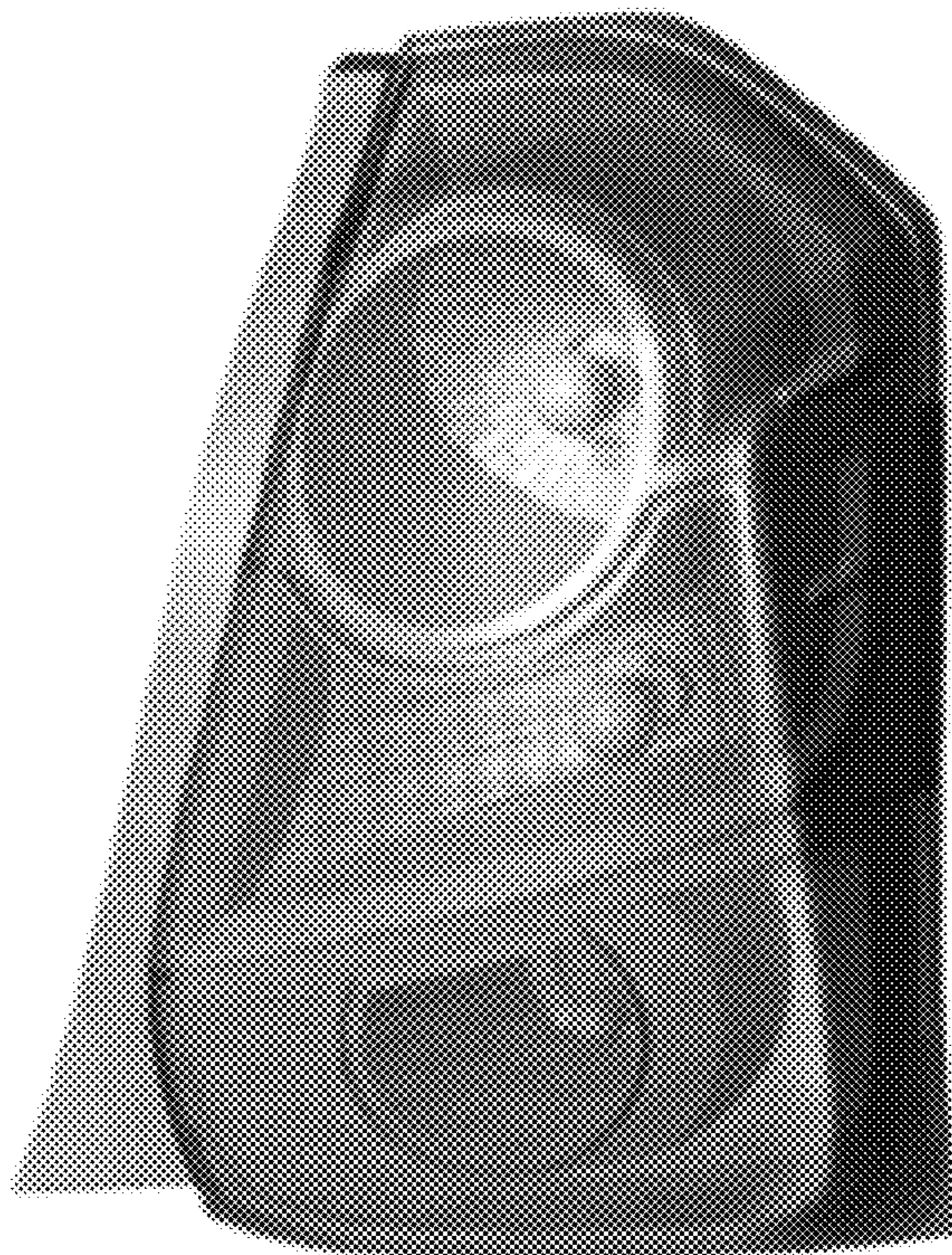
(57) **CLAIM**

The ornamental design for a combination lamp for an automobile, as shown and described.

DESCRIPTION

FIG. 1 is a perspective view of a combination lamp for an automobile showing our new design; FIG. 2 is a front view thereof; FIG. 3 is a rear view thereof; FIG. 4 is a top view thereof; FIG. 5 is a bottom view thereof; FIG. 6 is a left side view thereof; and, FIG. 7 is a right side view thereof.

1 Claim, 2 Drawing Sheets



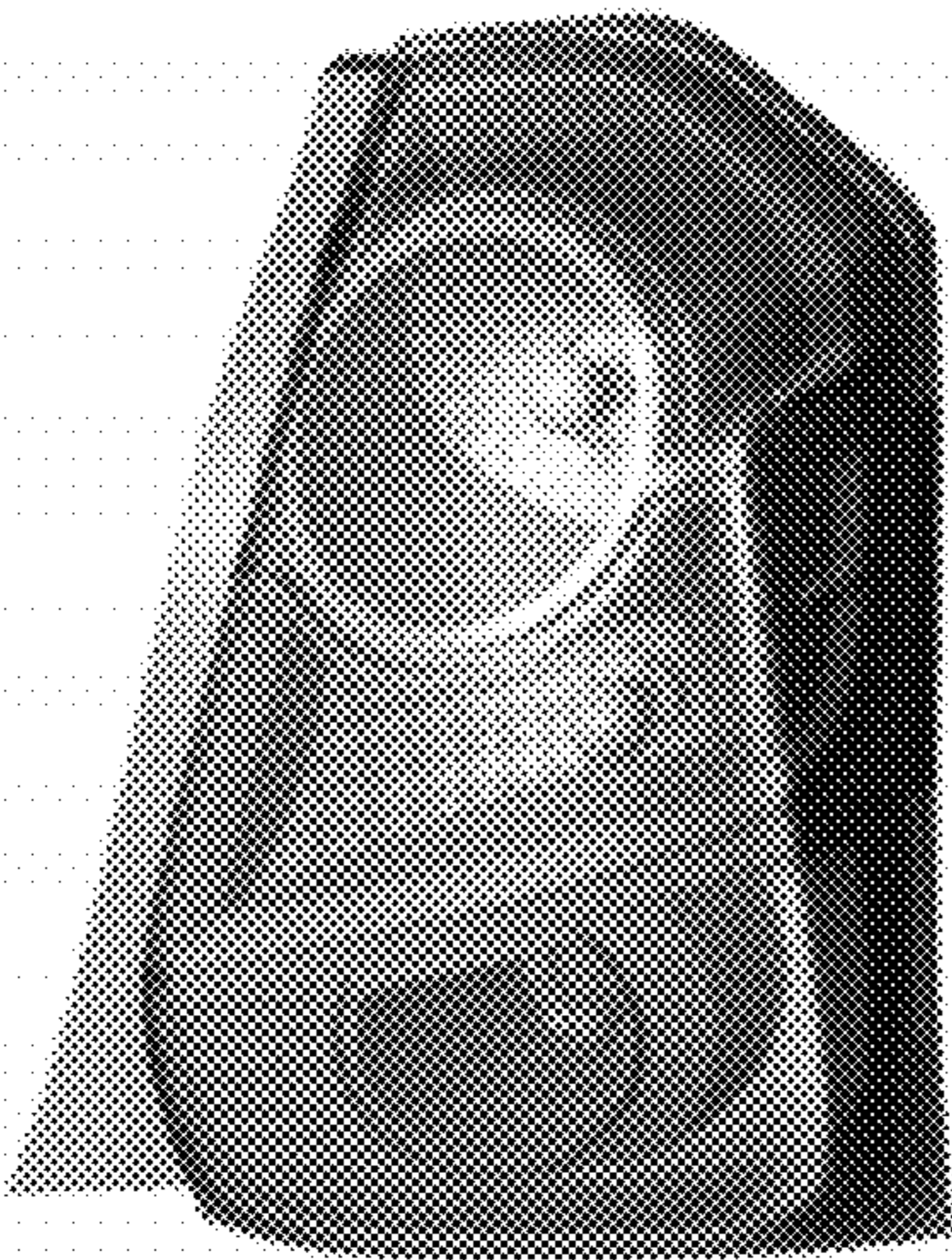


FIG. 1

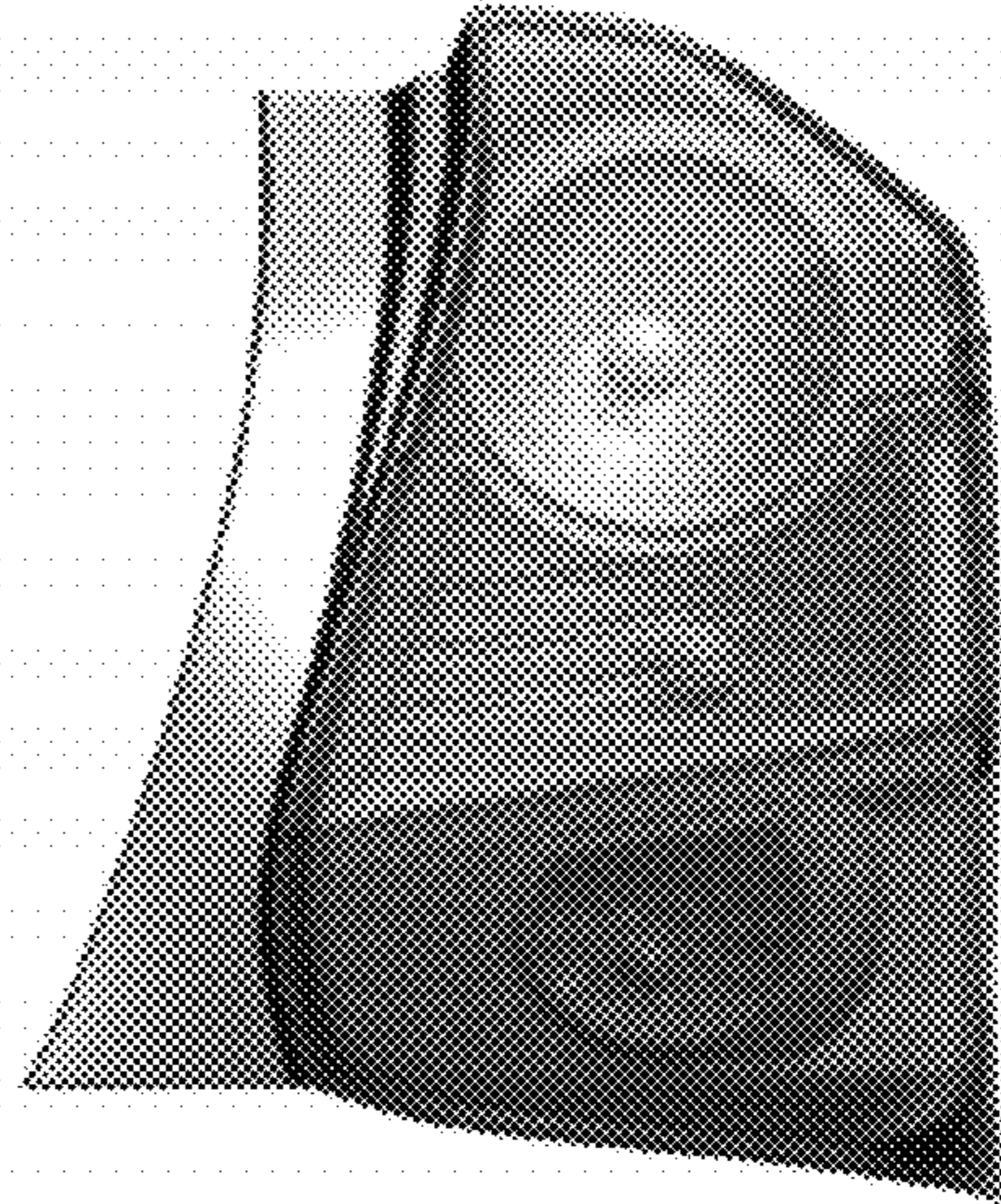


FIG. 2

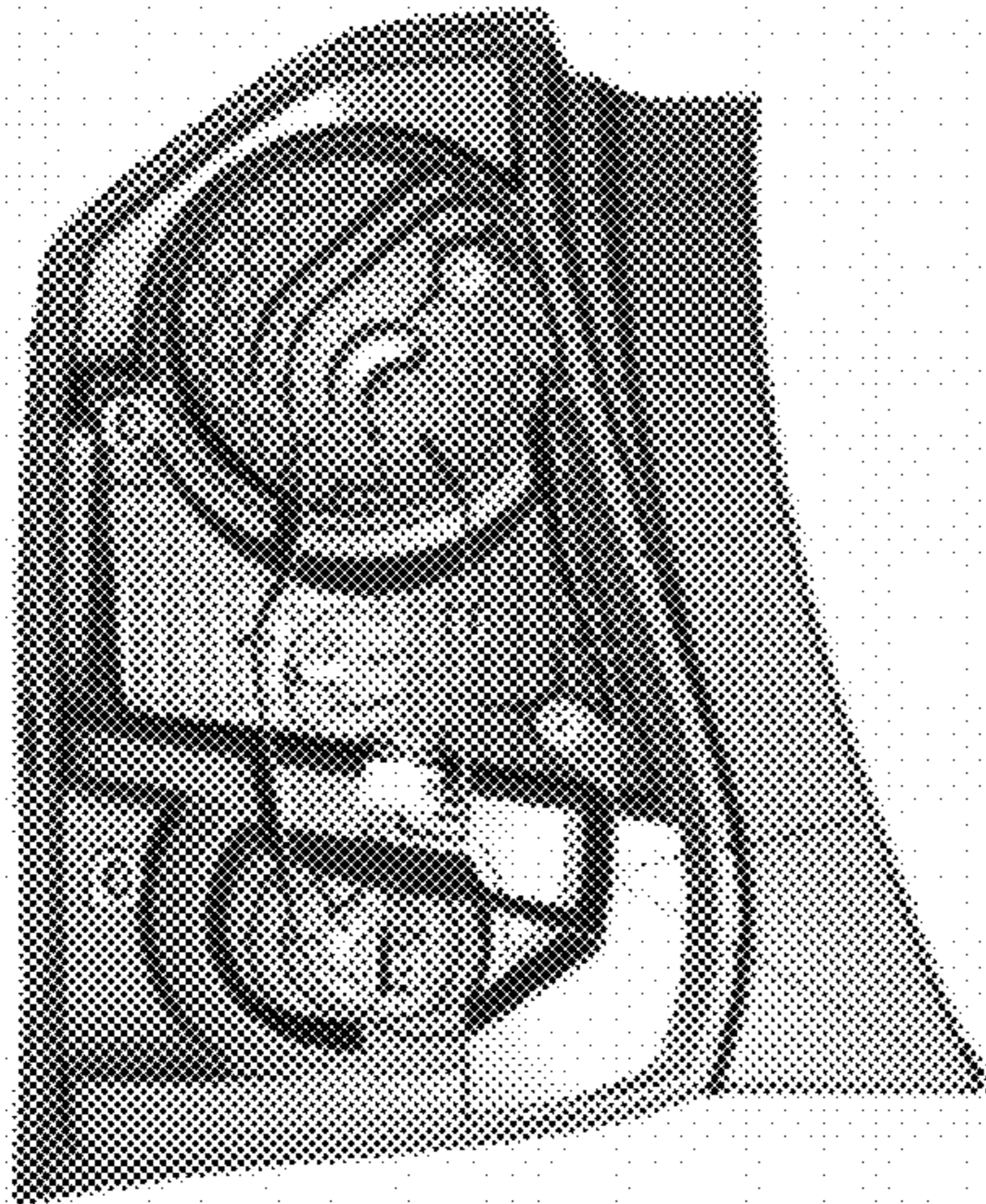


FIG. 3

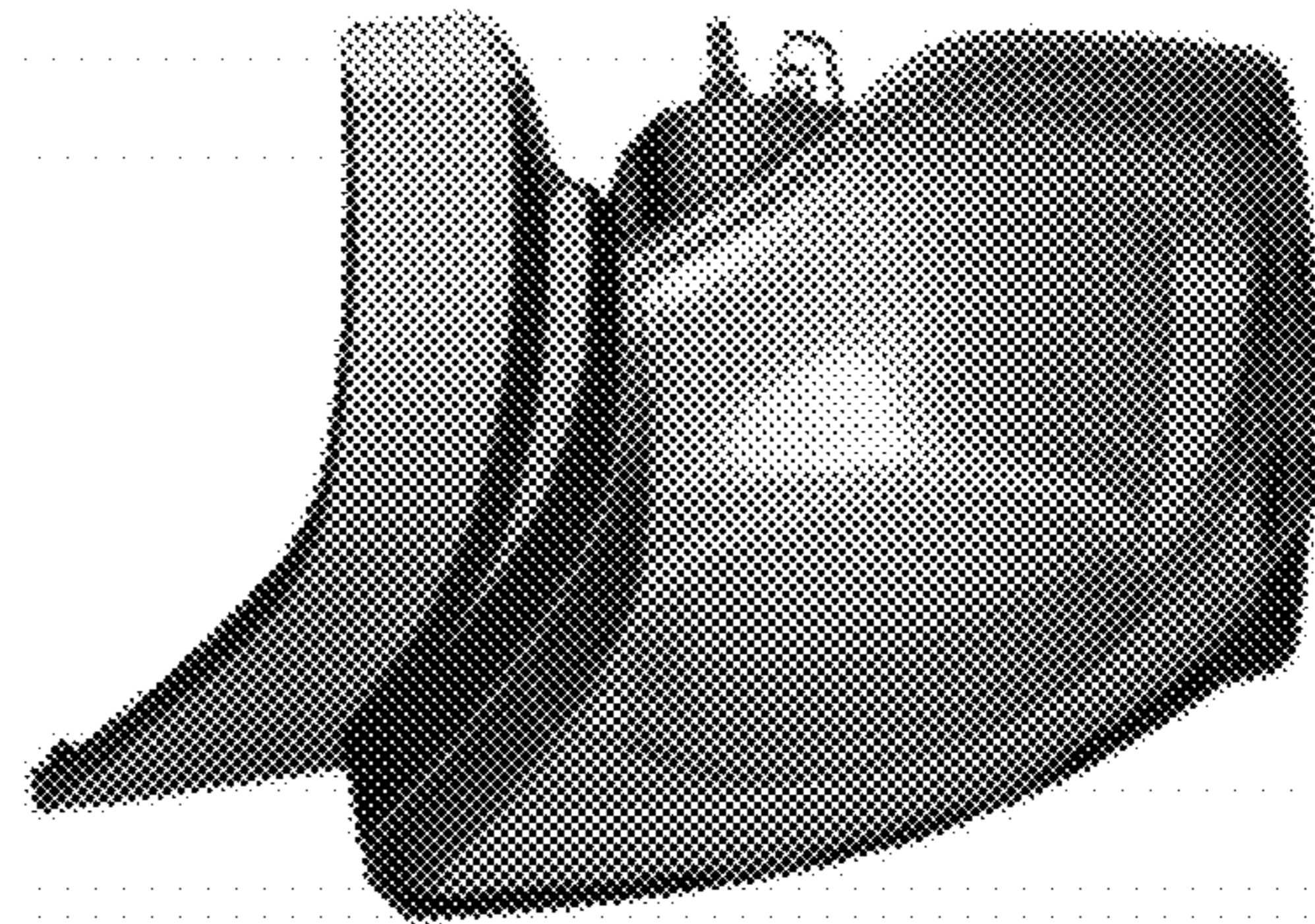


FIG. 4

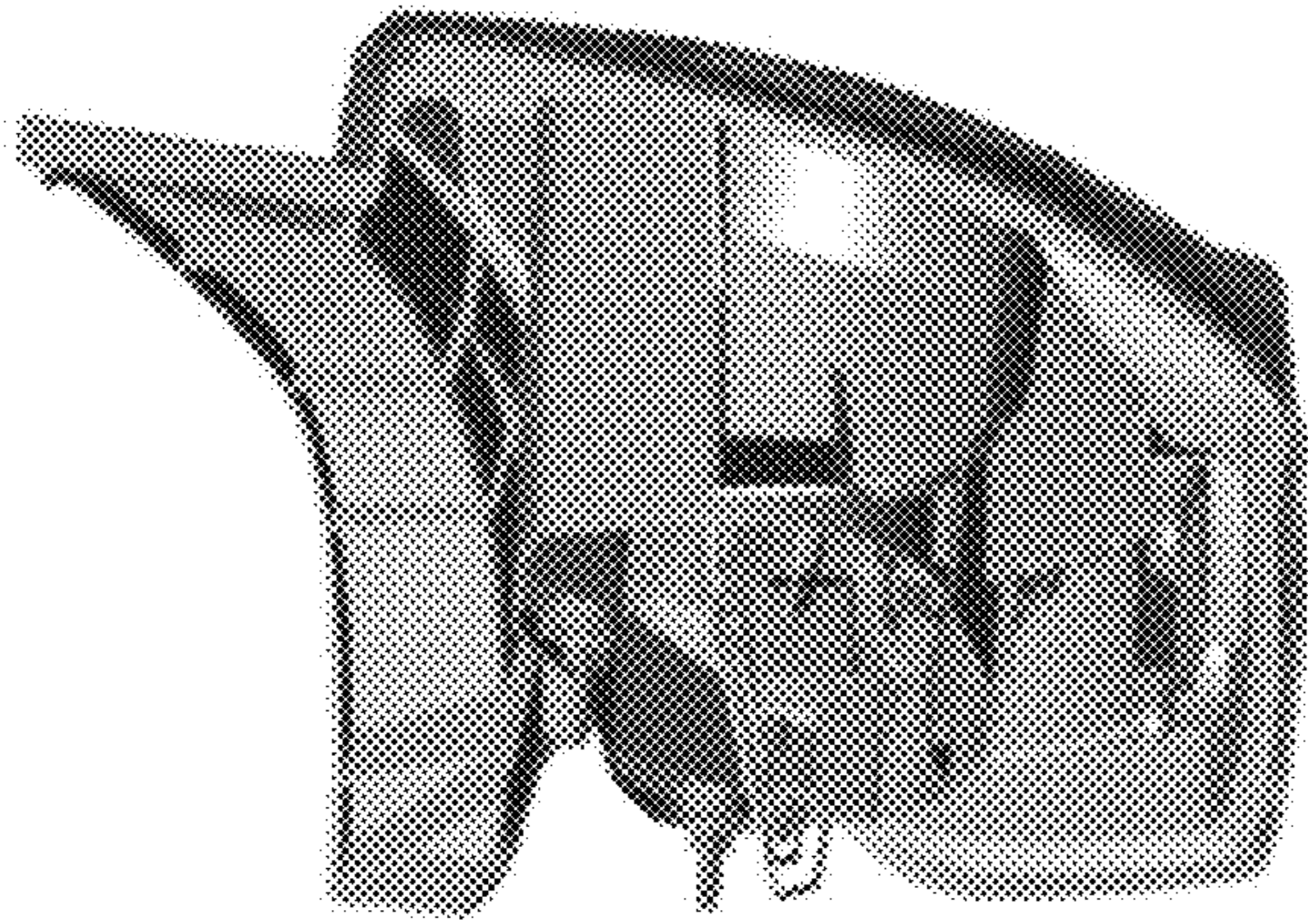


FIG. 5

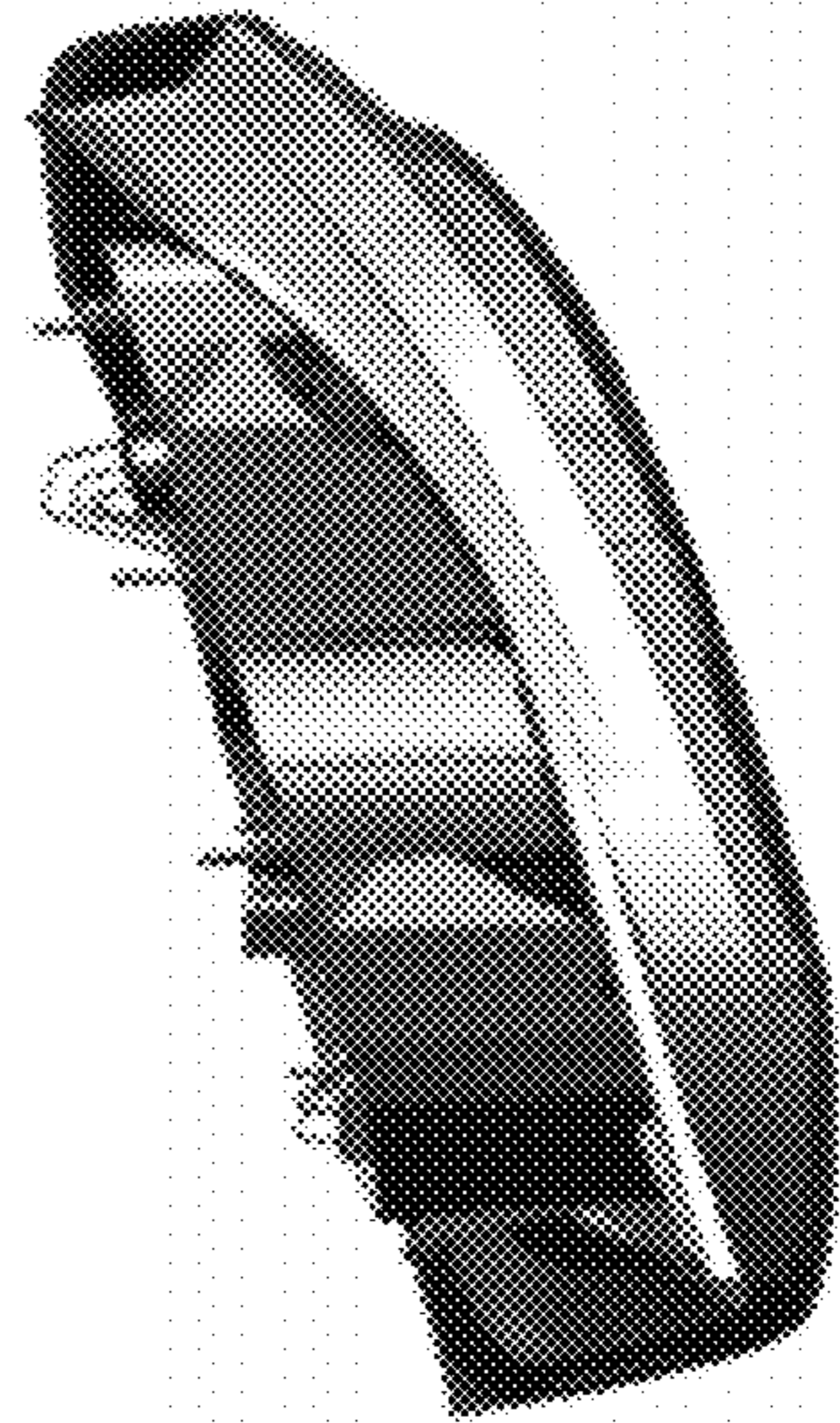


FIG. 6

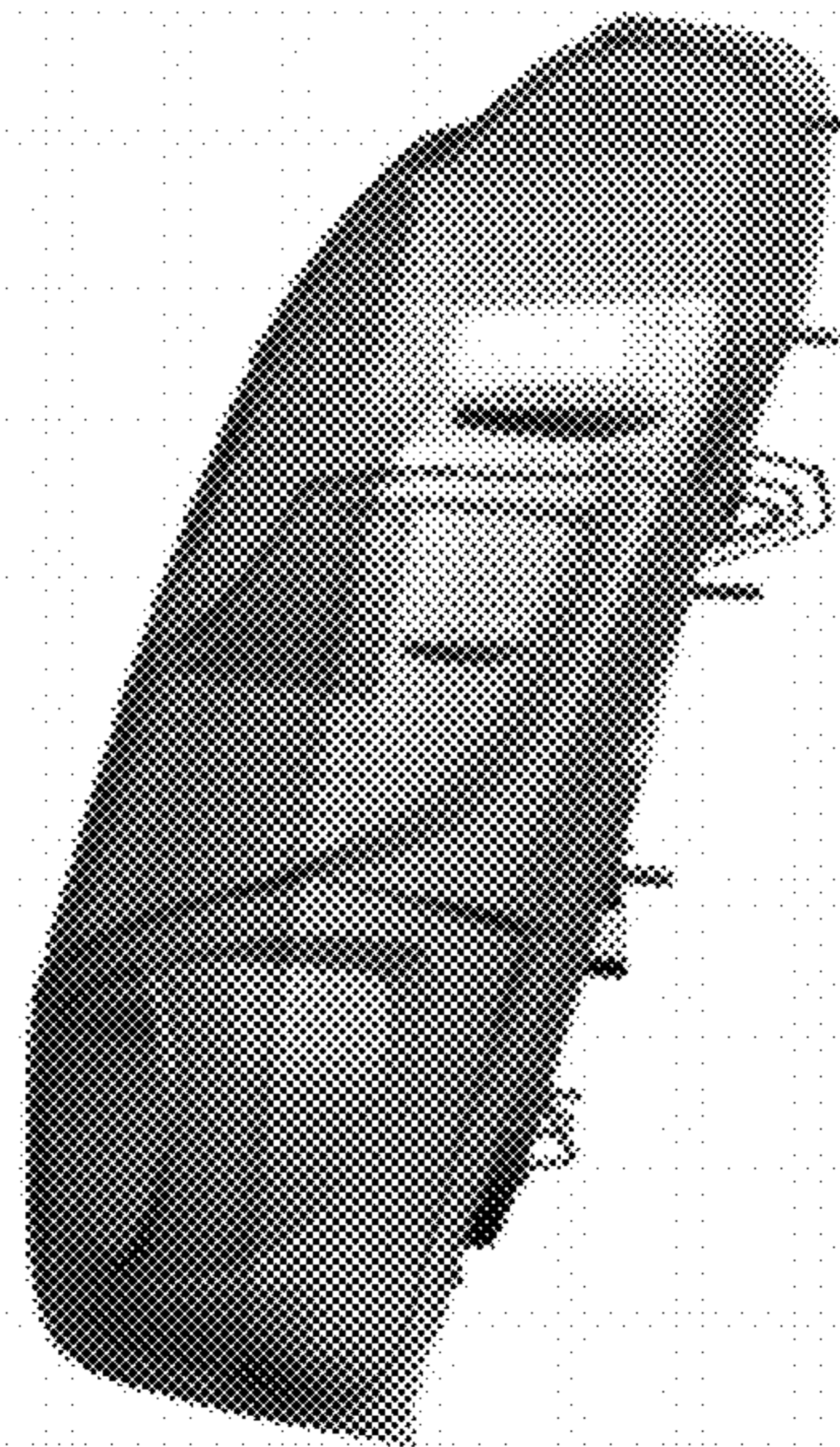


FIG. 7