



US00D676160S

(12) **United States Design Patent**
Stephens

(10) **Patent No.:** **US D676,160 S**

(45) **Date of Patent:** **** Feb. 12, 2013**

(54) **TIKI TORCH WITH HANDLED SNUFFER**

(76) Inventor: **Mikki M. Stephens**, Sugarland, TX
(US)

(**) Term: **14 Years**

(21) Appl. No.: **29/404,411**

(22) Filed: **Oct. 20, 2011**

(51) **LOC (9) Cl.** **26-02**

(52) **U.S. Cl.** **D26/8**

(58) **Field of Classification Search** D26/8,
D26/114-116; 431/320, 343, 350, 146, 345
See application file for complete search history.

(56) **References Cited**

U.S. PATENT DOCUMENTS

1,822,652	A	9/1931	Gluckert	
3,606,609	A	9/1971	Lipper et al.	
3,775,037	A	11/1973	Sande	
4,477,247	A	10/1984	Kumasaka	
5,205,730	A *	4/1993	Capdeville	431/320
D435,123	S *	12/2000	Lu	D26/8
D450,140	S *	11/2001	Donley	D26/8
D456,916	S *	5/2002	Carter	D26/8
D456,917	S	5/2002	Kumar	
D464,447	S *	10/2002	Yeh	D26/8
6,514,070	B2	2/2003	Lu	
D487,522	S *	3/2004	Lu	D26/8
D487,808	S *	3/2004	Lu	D26/8

7,156,653 B1 1/2007 DeMars
D548,371 S * 8/2007 Kleist et al. D26/8
2001/0053504 A1* 12/2001 Lu 431/152

* cited by examiner

Primary Examiner — T. Chase Nelson

Assistant Examiner — Ania Aman

(74) *Attorney, Agent, or Firm* — Montgomery Patent & Design LLC; Robert C. Montgomery

(57) **CLAIM**

The ornamental design for a tiki torch with handled snuffer, as shown and described.

DESCRIPTION

FIG. 1 is an environmental perspective view of a tiki torch with handled snuffer, showing my new design;

FIG. 2 is a side perspective view of the tiki torch with handled snuffer;

FIG. 3 is a front view thereof with a rear view being a mirror image;

FIG. 4 is a left side view thereof;

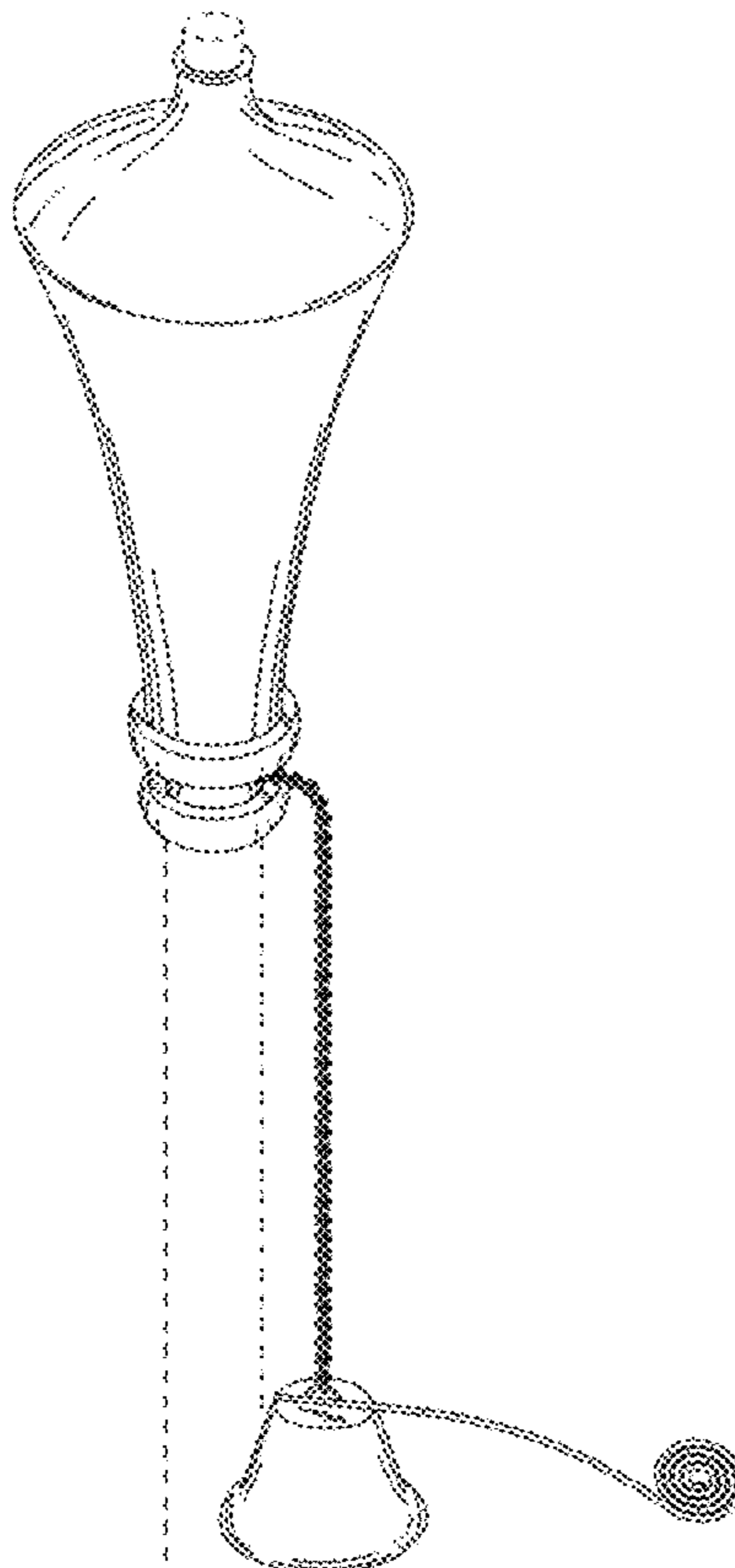
FIG. 5 is a right side view thereof;

FIG. 6 is top view thereof; and,

FIG. 7 is a bottom view thereof.

The broken line showing in FIG. 1 is for the purpose of illustrating environment and forms no part of the claimed design.

1 Claim, 6 Drawing Sheets



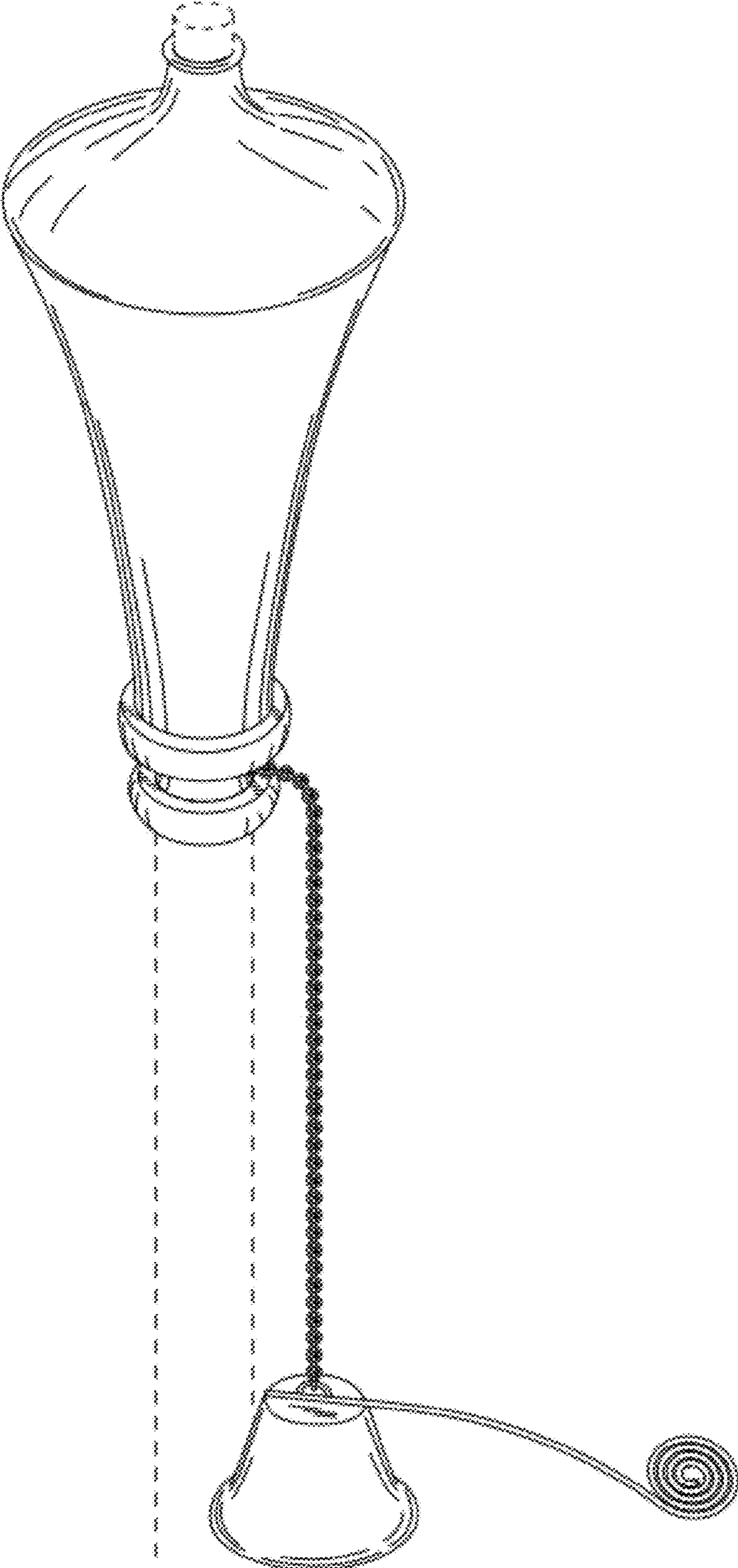


Fig. 1

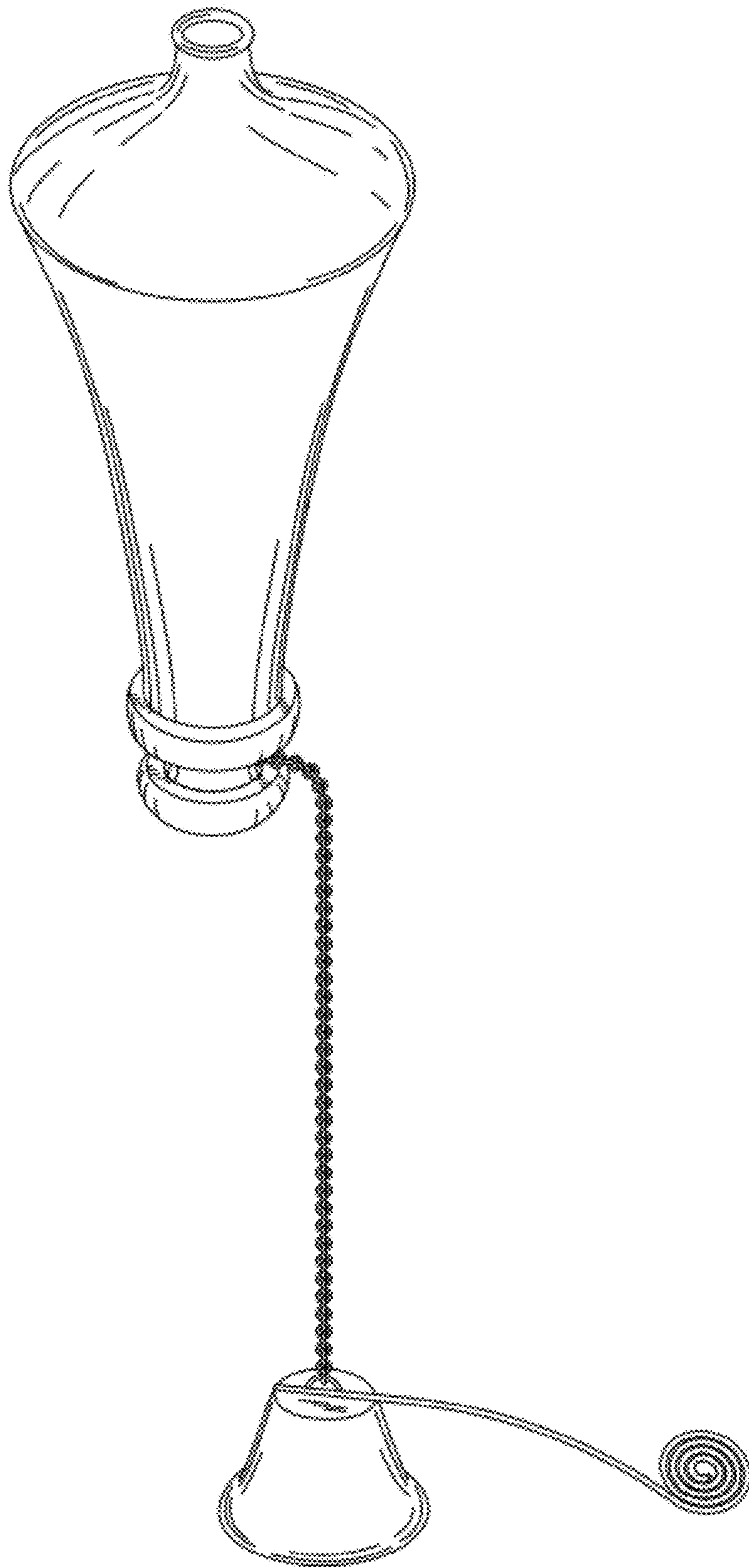


Fig. 2

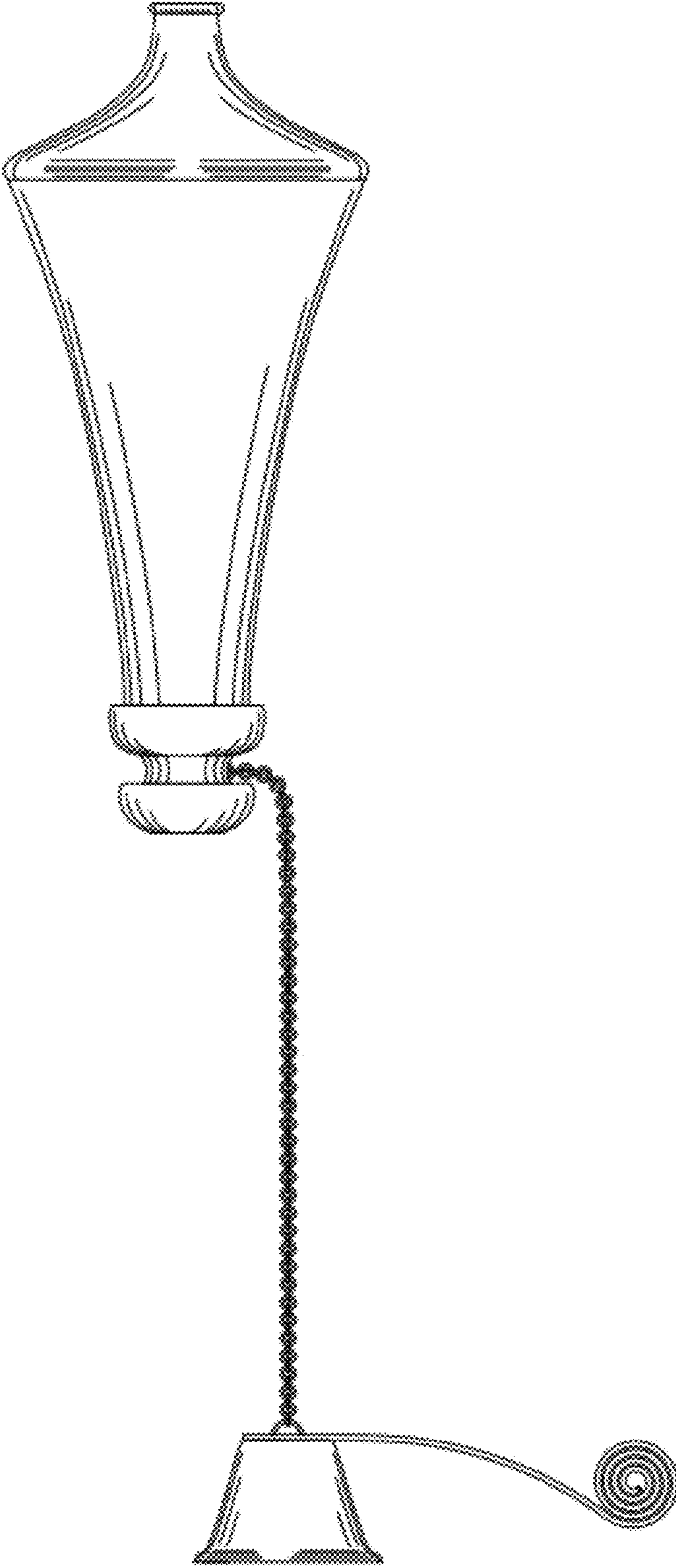


Fig. 3

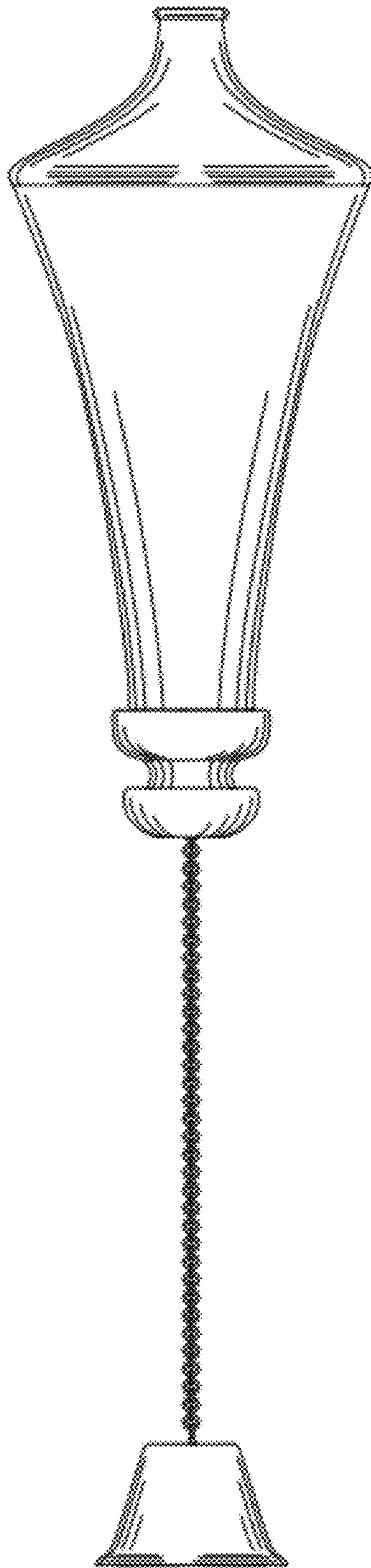


Fig. 4

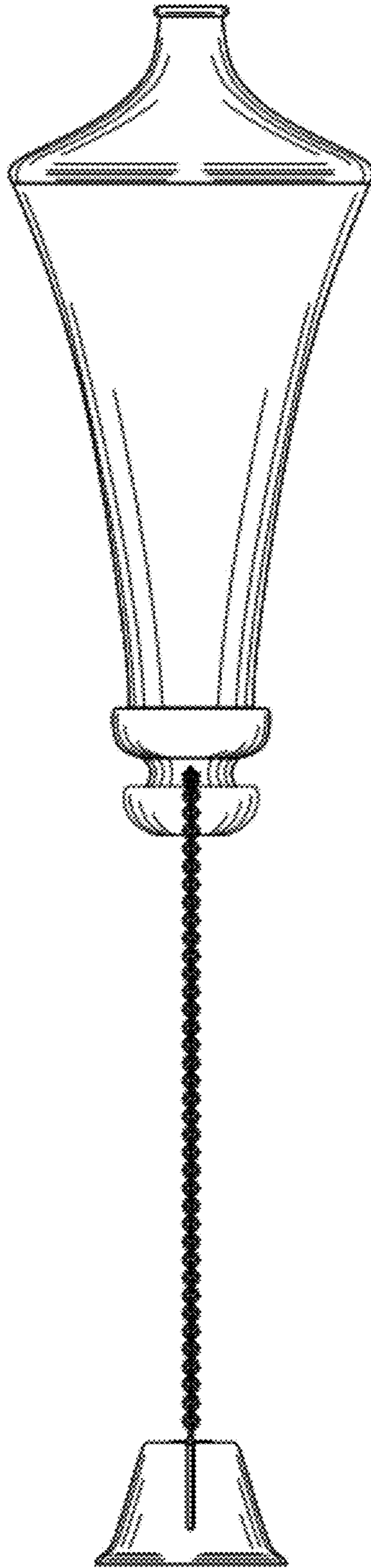


Fig. 5

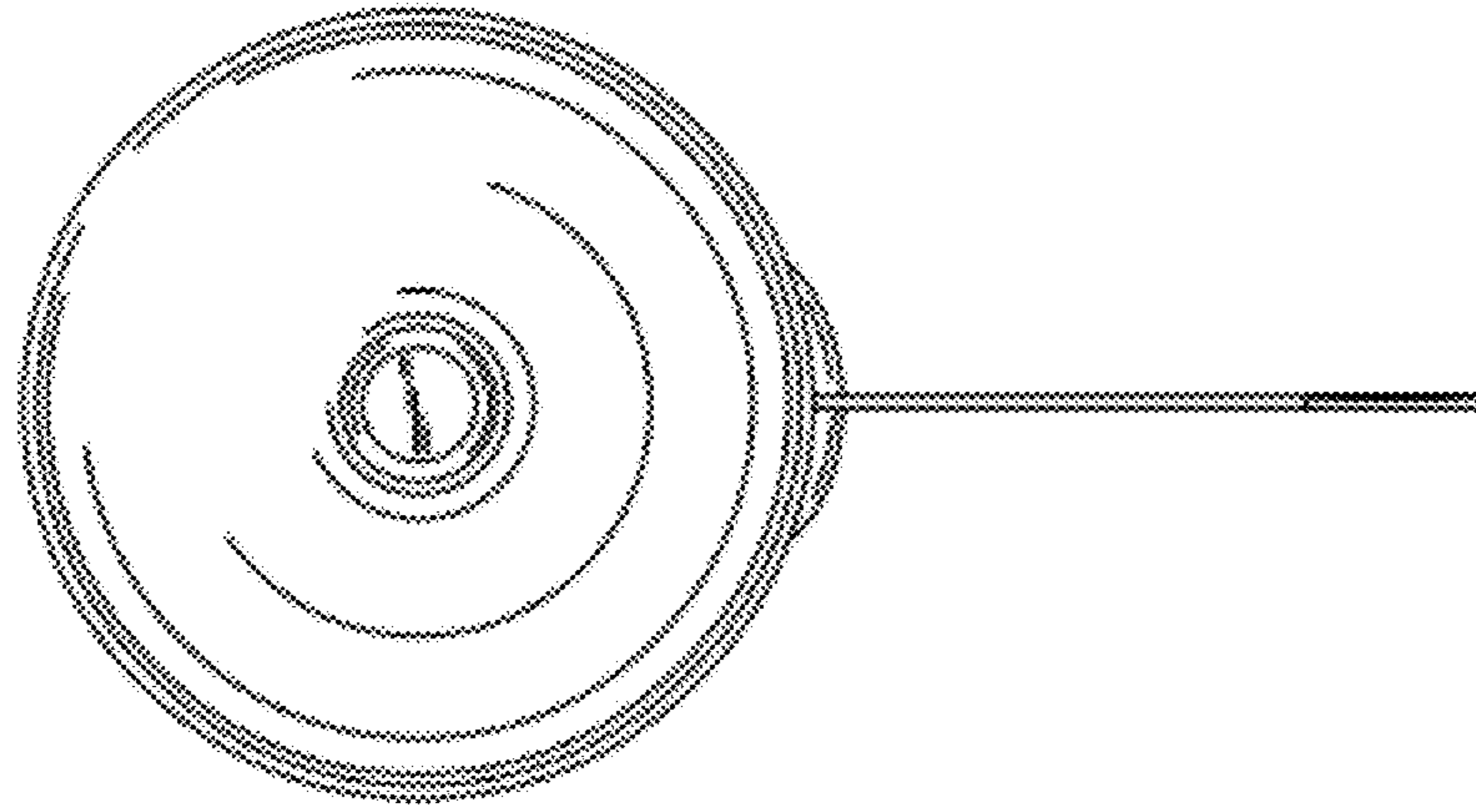


Fig. 6

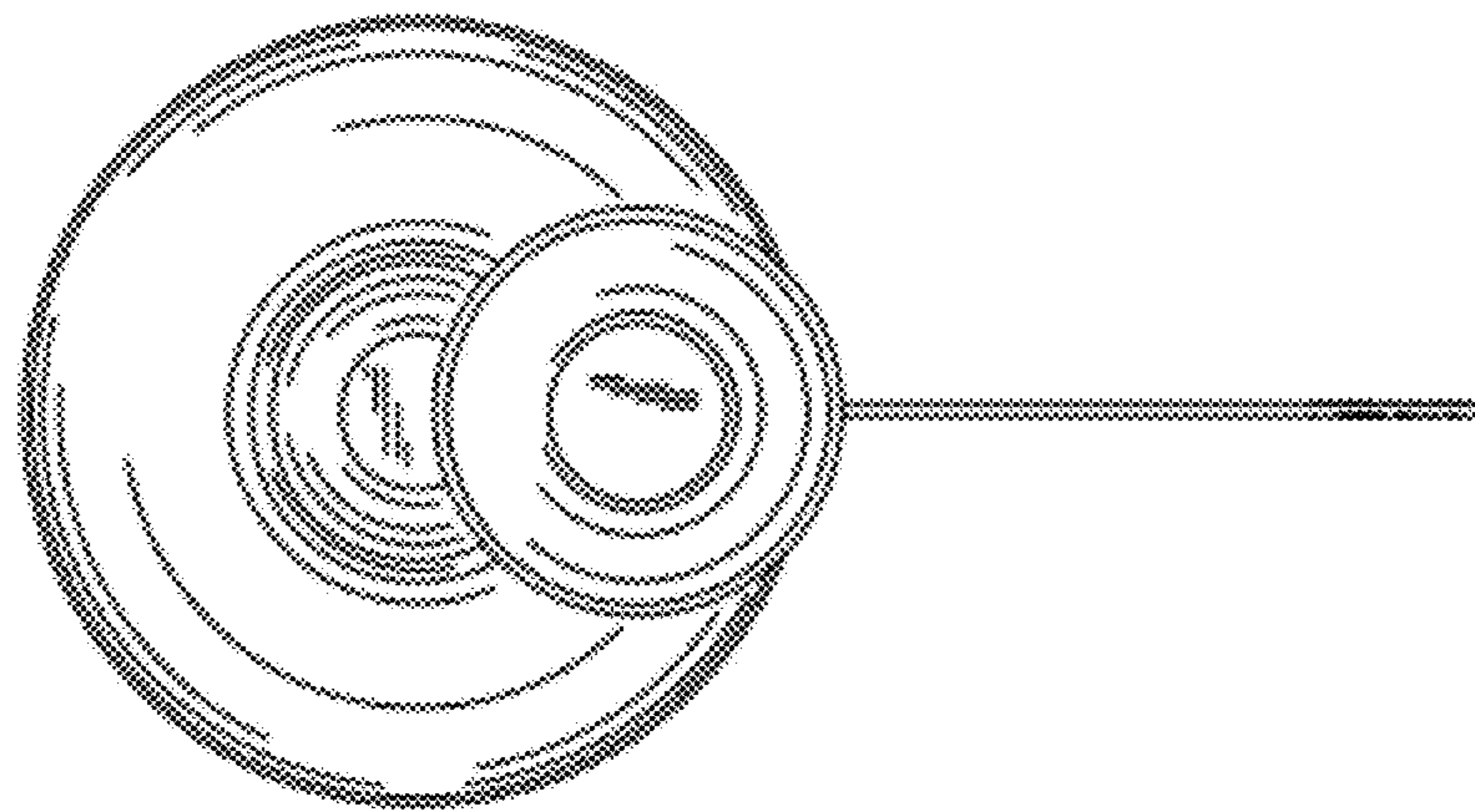


Fig. 7