



US00D676159S

(12) **United States Design Patent**  
**Le et al.**

(10) **Patent No.:** **US D676,159 S**  
(45) **Date of Patent:** **\*\* Feb. 12, 2013**

- (54) **LAMP**
- (75) Inventors: **Long Larry Le**, Morrisville, NC (US);  
**Curt Progl**, Raleigh, NC (US); **William L. Dungan**, Cary, NC (US)
- (73) Assignee: **Cree, Inc.**, Durham, NC (US)
- (\*\*) Term: **14 Years**
- (21) Appl. No.: **29/401,648**
- (22) Filed: **Sep. 14, 2011**

D623,776	S	*	9/2010	Moon et al.	.....	D26/2
D624,669	S	*	9/2010	Tsai	.....	D26/2
D627,491	S	*	11/2010	Wang et al.	.....	D26/2
D629,534	S	*	12/2010	Song	.....	D26/2
D629,926	S	*	12/2010	Chen et al.	.....	D26/2
D629,927	S	*	12/2010	Chen et al.	.....	D26/2
D630,776	S	*	1/2011	Wang et al.	.....	D26/2
D634,031	S	*	3/2011	de Visser et al.	.....	D26/2
D634,452	S	*	3/2011	de Visser	.....	D26/2
D636,902	S	*	4/2011	Pei et al.	.....	D26/2
D647,222	S	*	10/2011	Le et al.	.....	D26/2
2005/0174780	A1	*	8/2005	Park	.....	362/294
2010/0026158	A1	*	2/2010	Wu	.....	313/46
2010/0091487	A1	*	4/2010	Shin	.....	362/235
2010/0164348	A1	*	7/2010	Huang et al.	.....	313/46

**Related U.S. Application Data**

- (62) Division of application No. 29/375,590, filed on Sep. 24, 2010, now Pat. No. Des. 647,222.
- (51) **LOC (9) Cl.** ..... **26-04**
- (52) **U.S. Cl.** ..... **D26/2**
- (58) **Field of Classification Search** ..... D26/1-4;  
313/313, 315, 316, 317, 318, 493; 315/52,  
315/53, 56, 57, 58

See application file for complete search history.

(56) **References Cited**

**U.S. PATENT DOCUMENTS**

D538,951	S	*	3/2007	Maxik et al.	.....	D26/2
D546,980	S	*	7/2007	Lo	.....	D26/2
D560,285	S	*	1/2008	Byers	.....	D25/68
D560,286	S	*	1/2008	Maxik et al.	.....	D26/2
D570,504	S	*	6/2008	Maxik et al.	.....	D26/2
D570,505	S	*	6/2008	Maxik et al.	.....	D26/2
D581,556	S	*	11/2008	To et al.	.....	D26/2
D581,583	S	*	11/2008	Peng	.....	D26/135
D590,523	S	*	4/2009	Takahashi	.....	
D597,704	S	*	8/2009	Peng	.....	D26/118
D600,850	S	*	9/2009	Maxik et al.	.....	D26/113
D613,887	S	*	4/2010	Lee et al.	.....	D26/2
D617,475	S	*	6/2010	Hiraga et al.	.....	D26/2
D623,774	S	*	9/2010	Tsai	.....	D26/2

**OTHER PUBLICATIONS**

Cree, Inc., Taiwanese Application No. 100306145, Office Action, Jul. 5, 2012.

\* cited by examiner

*Primary Examiner* — Marcus Jackson

(74) *Attorney, Agent, or Firm* — Steven B. Phillips; Moore & Van Allen PLLC

(57) **CLAIM**

We claim the ornamental design for a lamp, as shown and described.

**DESCRIPTION**

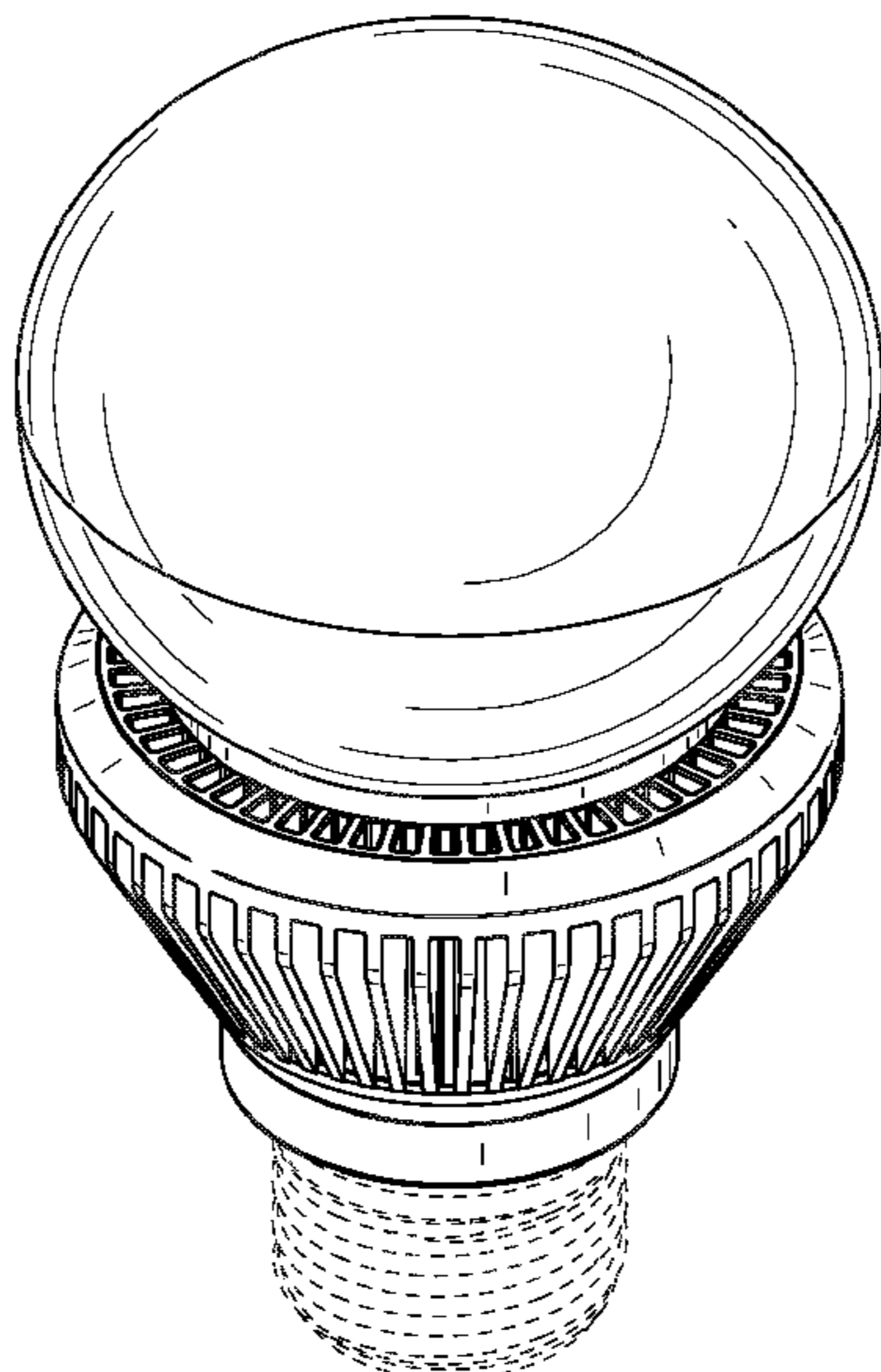
FIG. 1 is a side view showing a third embodiment of our new design for a lamp. Only one side view is shown since all sides are the same.

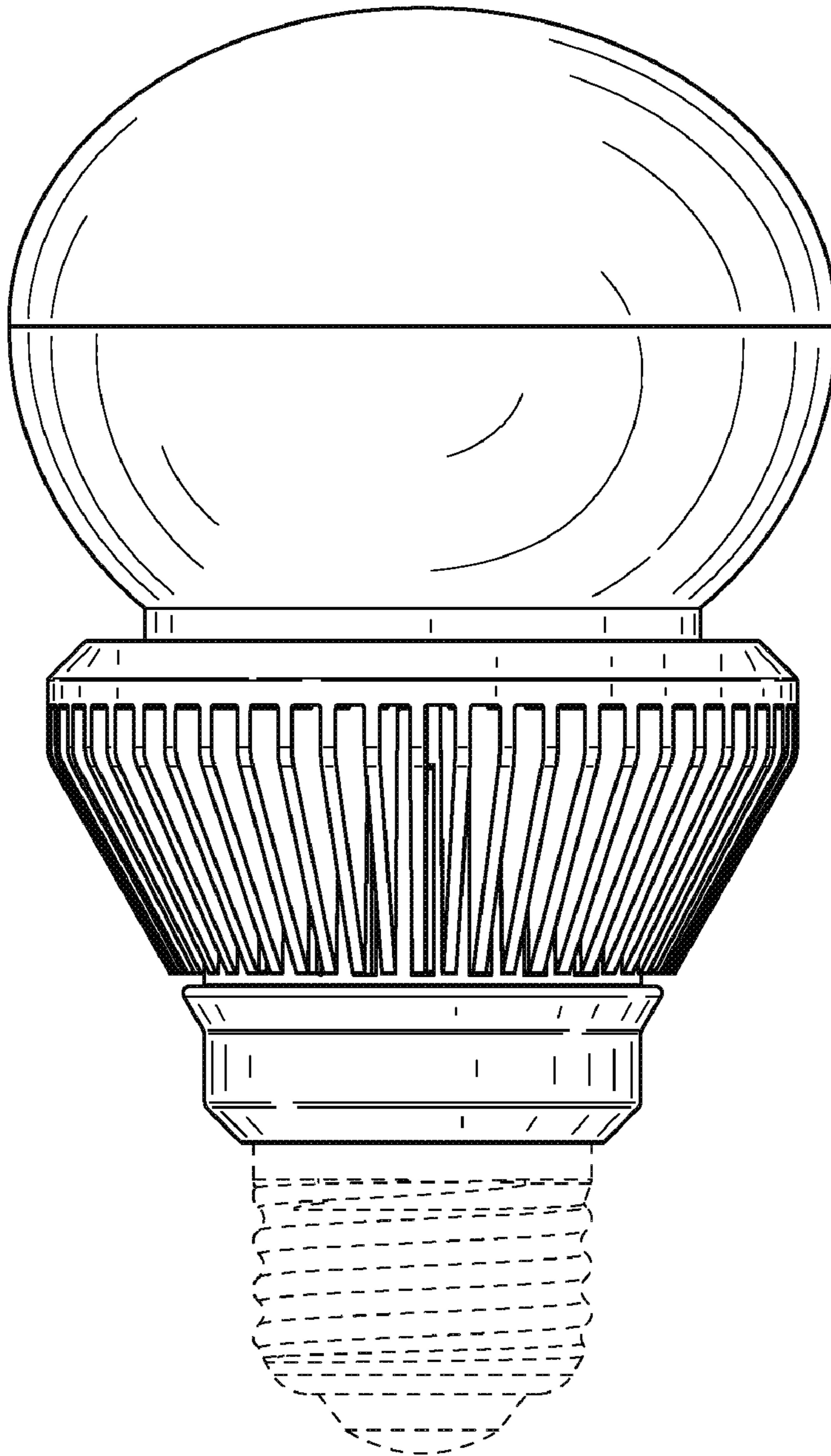
FIG. 2 is a top view of the third embodiment of our new design shown in FIG. 1.

FIG. 3 is a bottom view of the third embodiment of our new design shown in FIG. 1; and,

FIG. 4 is a perspective view of the third embodiment of our new design as shown in FIG. 1.

**1 Claim, 3 Drawing Sheets**





**FIG. 1**

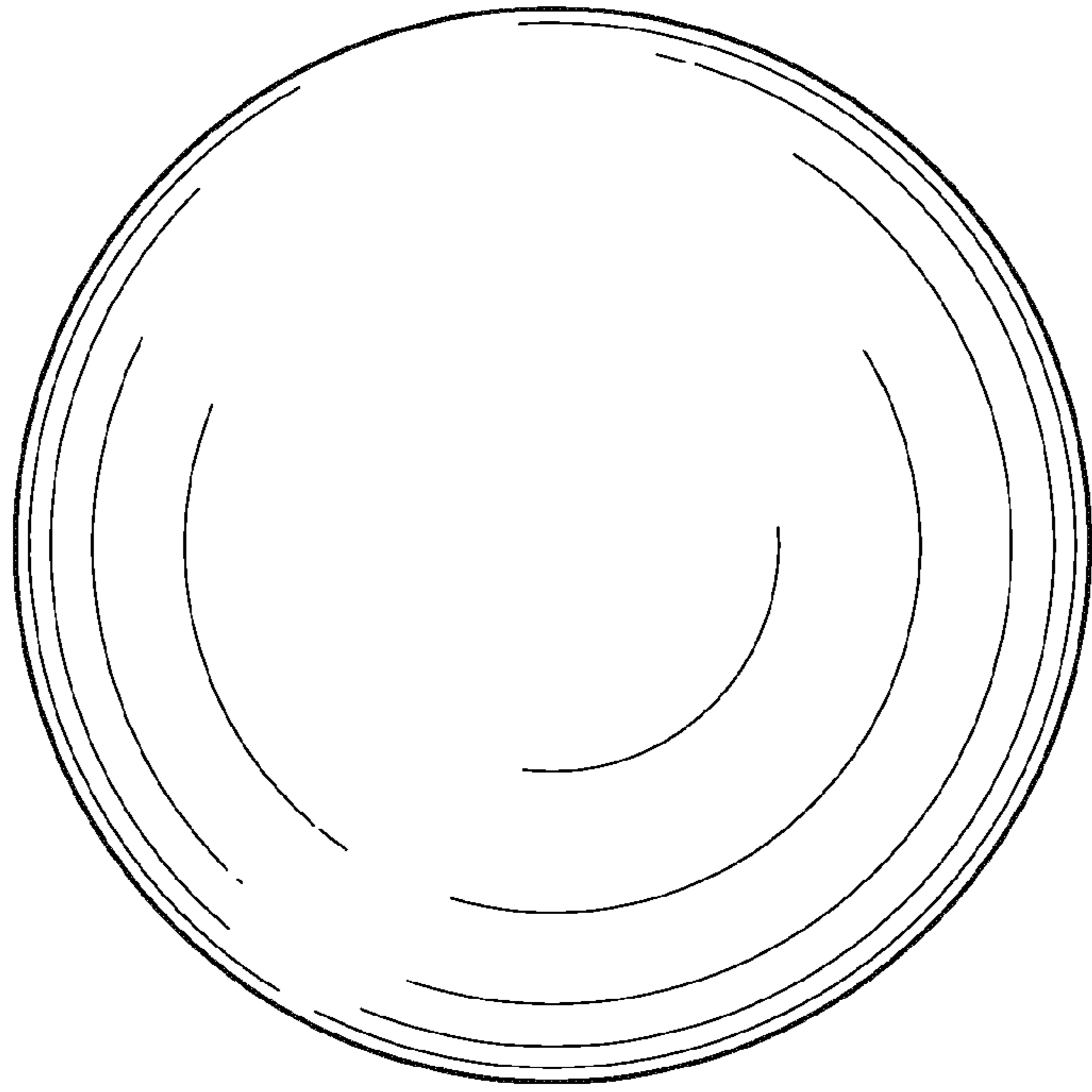


FIG. 2

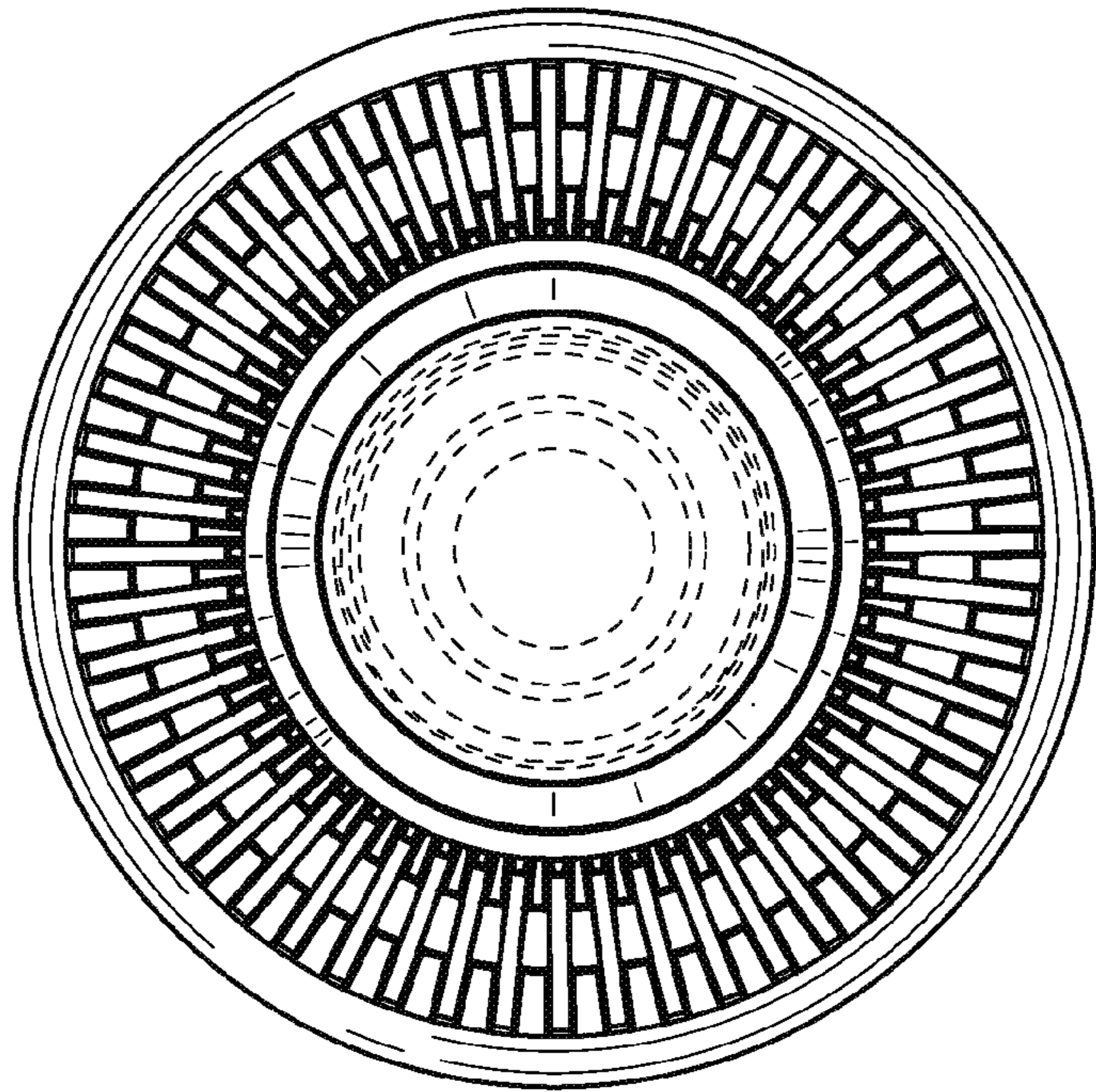


FIG. 3



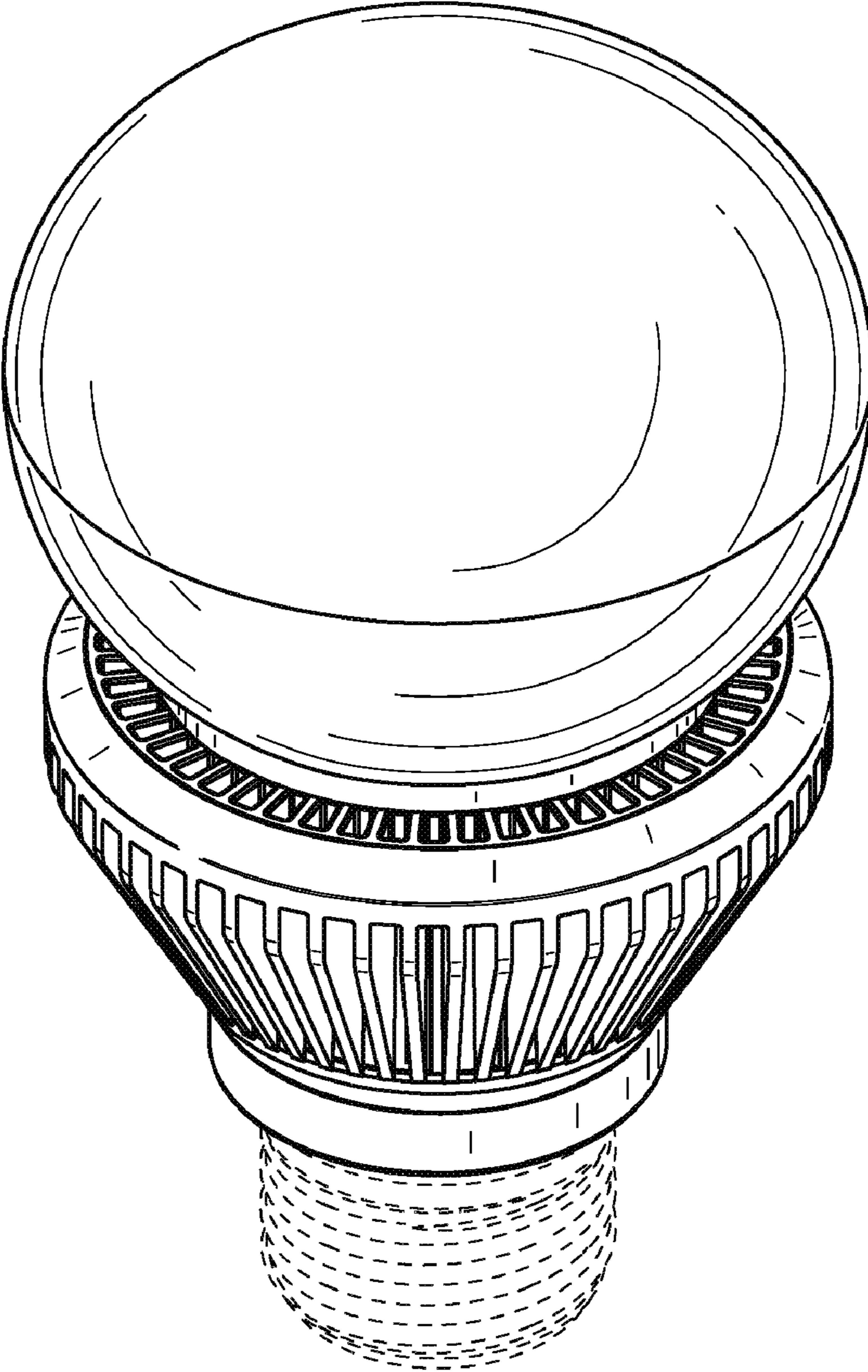


FIG. 4