

US00D676158S

(12) **United States Design Patent**
Johnston

(10) **Patent No.:** **US D676,158 S**
(45) **Date of Patent:** **** Feb. 12, 2013**

- (54) **HOLLOW WALL BASE**
- (75) Inventor: **Curtis F. Johnston**, Auburn, OH (US)
- (73) Assignee: **Johnsonite Inc.**, Chagrin Falls, OH (US)
- (**) Term: **14 Years**
- (21) Appl. No.: **29/429,132**
- (22) Filed: **Aug. 7, 2012**

6,457,287	B1	10/2002	Wilcox	
D483,883	S	12/2003	Glatz	
D483,884	S	12/2003	Glatz	
6,786,016	B1 *	9/2004	Wood	52/290
D500,149	S *	12/2004	Glatz	D25/136
D500,869	S *	1/2005	Glatz	D25/136
D514,236	S *	1/2006	Glatz	D25/136
D579,583	S *	10/2008	Chaney et al.	D25/124
D579,584	S *	10/2008	Chaney	D25/124
2005/0055936	A1	3/2005	Murphy, Jr.	

Related U.S. Application Data

- (63) Continuation of application No. 12/148,082, filed on Apr. 15, 2008, now Pat. No. 8,245,468, which is a continuation-in-part of application No. 11/174,832, filed on Jul. 5, 2005, now abandoned.
- (51) **LOC (9) Cl.** **25-01**
- (52) **U.S. Cl.** **D25/124; D25/136**
- (58) **Field of Classification Search** D25/136, D25/124; 52/290, 287.1, 220.7; 439/120; 264/150, 168, 171.12, 171.13
See application file for complete search history.

FOREIGN PATENT DOCUMENTS

WO WO 02/066764 A2 8/2002

* cited by examiner

Primary Examiner — Doris Clark

(74) *Attorney, Agent, or Firm* — D. Peter Hochberg; Sean F. Mellino; Daniel J. Smola

(57) **CLAIM**

The ornamental design for a hollow wall base, as shown and described.

DESCRIPTION

FIG. 1 is a perspective view of the hollow wall base according to the invention;

FIG. 2 is a top view of the hollow wall base, as shown in FIG. 1;

FIG. 3 is a front view of the hollow wall base as shown in FIG. 1;

FIG. 4 is a side view of the hollow wall base as shown in FIG. 1;

FIG. 5 is a rear view of the hollow wall base as shown in FIG. 1;

FIG. 6 is a side view of the hollow wall base as shown in FIG. 1, shown from the opposite side of that shown in FIG. 4; and, FIG. 7 is a bottom view of the hollow wall base as shown in FIG. 1.

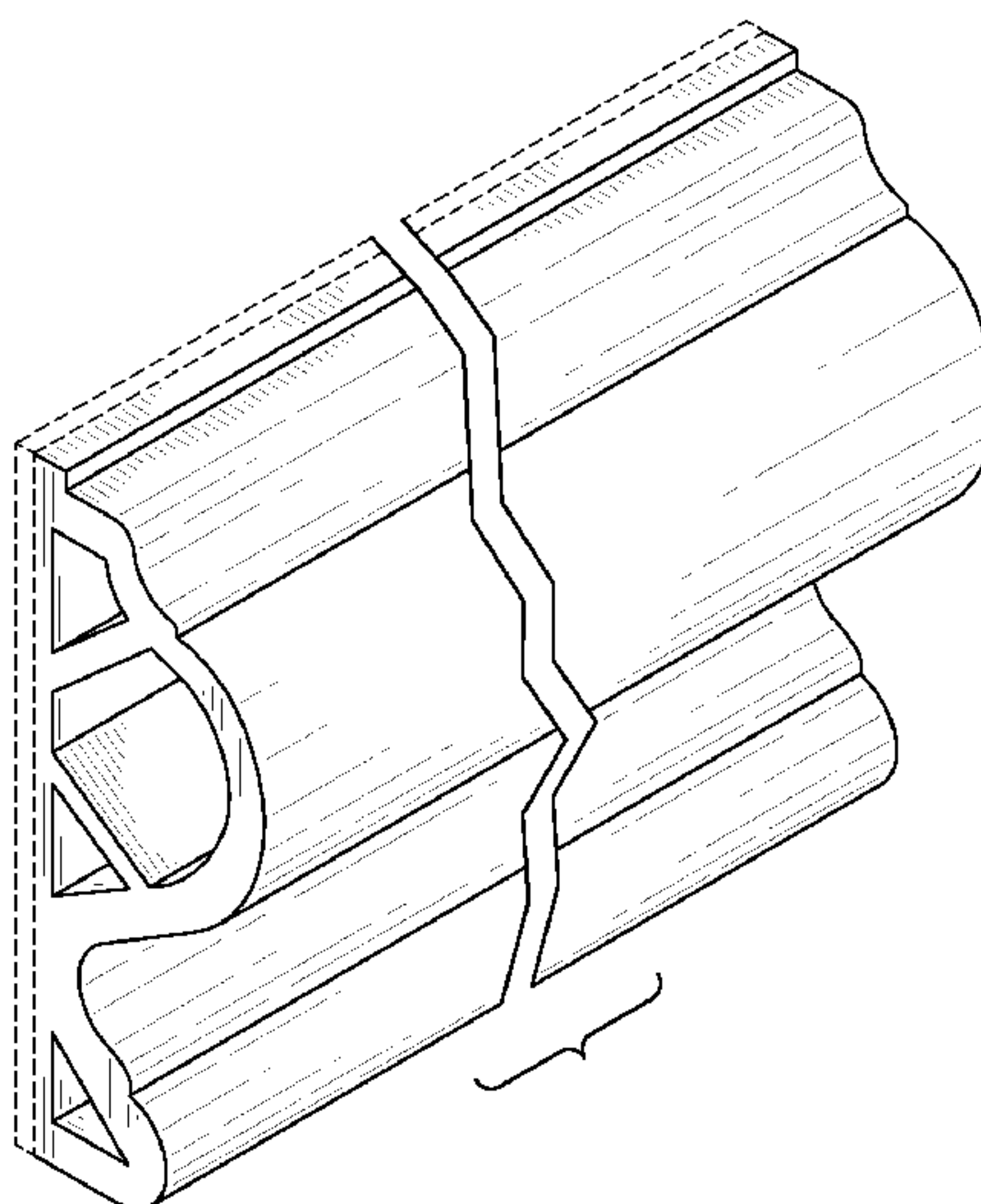
The broken away ends indicate that the hollow wall base has no specific length and the broken lines form no part of the claimed design.

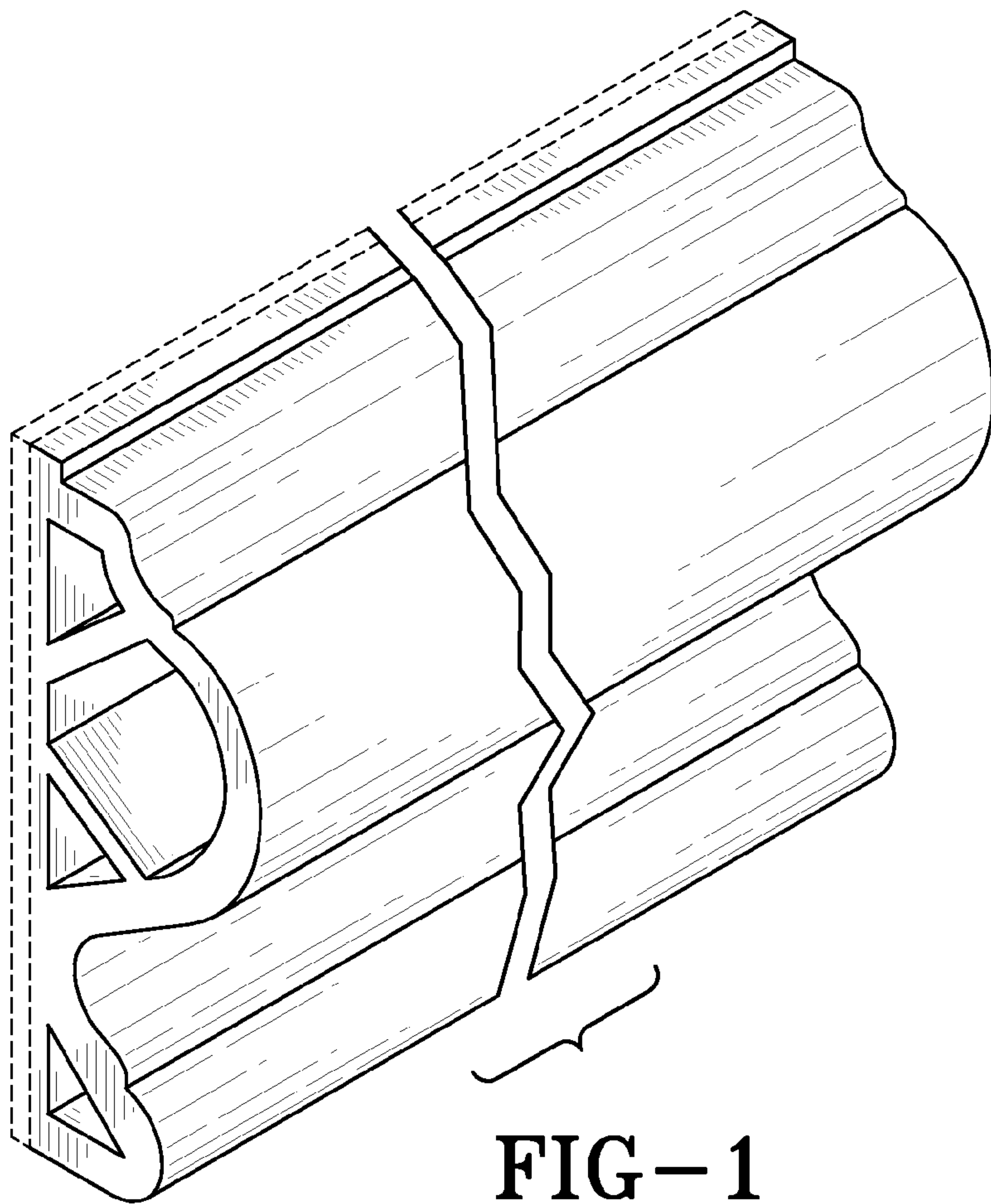
1 Claim, 3 Drawing Sheets

(56) **References Cited**

U.S. PATENT DOCUMENTS

1,981,239	A *	11/1934	Manske	52/220.7
2,000,243	A *	5/1935	Manske	52/220.7
3,676,974	A	7/1972	Daly	
3,899,859	A	8/1975	Smith	
3,975,467	A	8/1976	Beck	
4,037,900	A	7/1977	Schmidger	
4,642,957	A	2/1987	Edwards	
4,663,906	A	5/1987	Weinar	
5,336,849	A *	8/1994	Whitney	174/72 C
5,357,053	A	10/1994	Manaras	
5,598,681	A	2/1997	DiGianni	
5,752,356	A	5/1998	Miklavic	
5,901,514	A	5/1999	Wolfe	
5,979,132	A	11/1999	Margarit	
6,189,276	B1 *	2/2001	Pinto et al.	52/288.1
6,191,363	B1	2/2001	Samuels	
6,202,380	B1	3/2001	Trutwin	
6,216,406	B1	4/2001	Hauser	





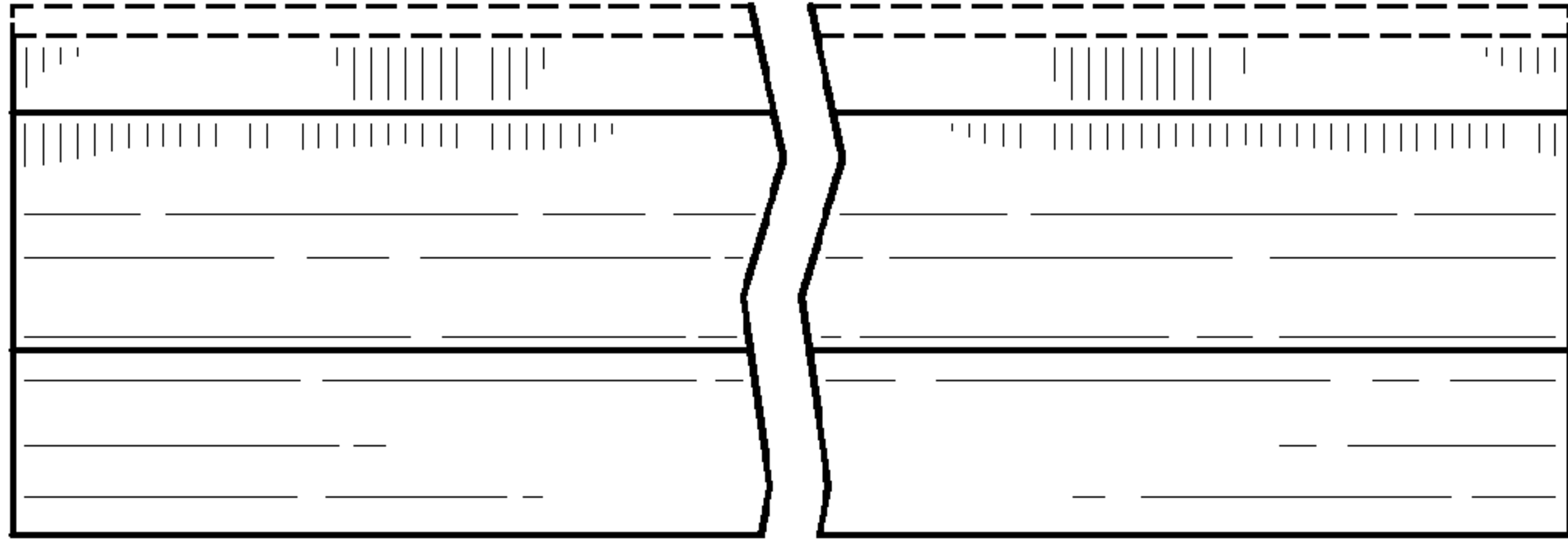


FIG-2

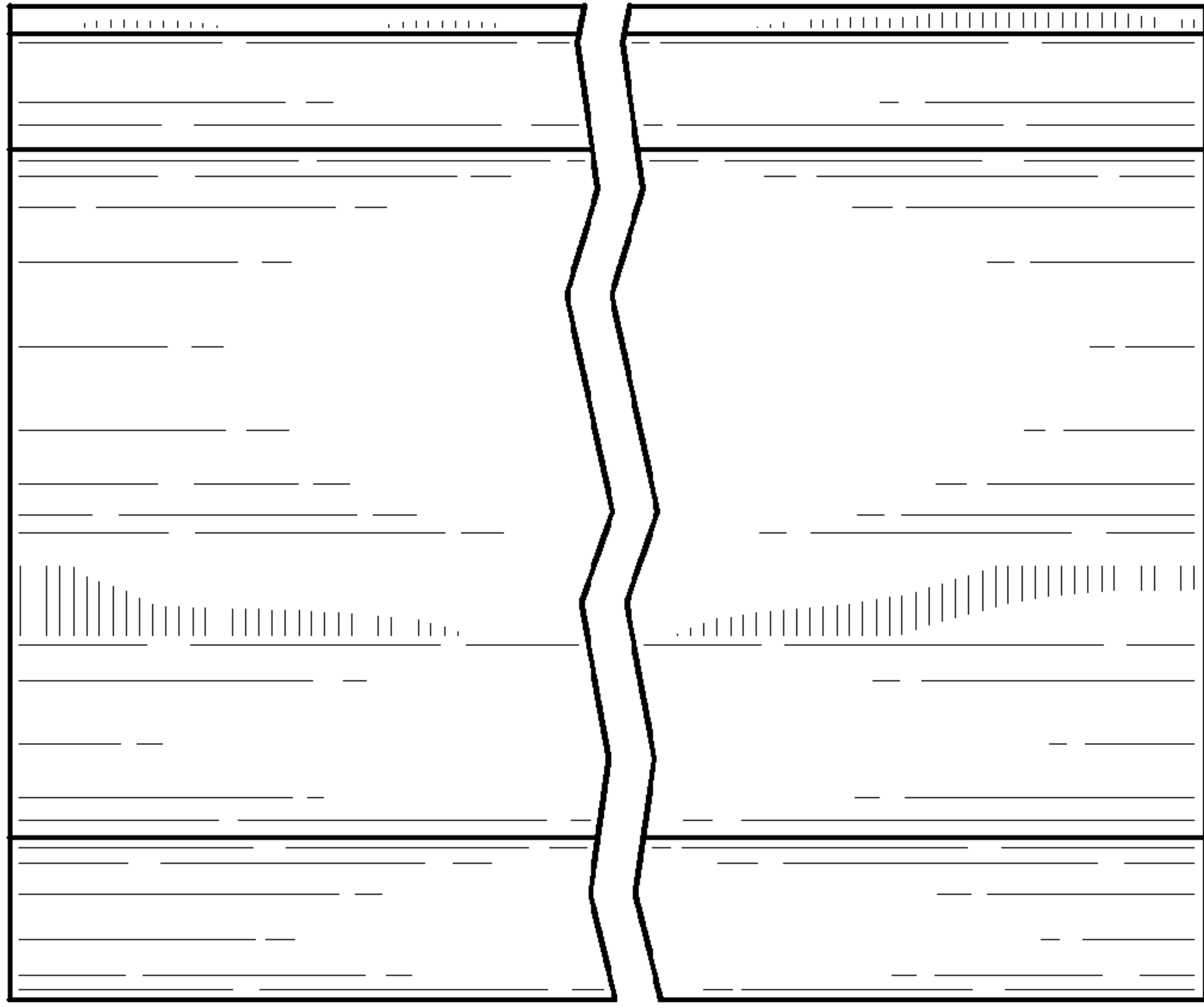


FIG-3

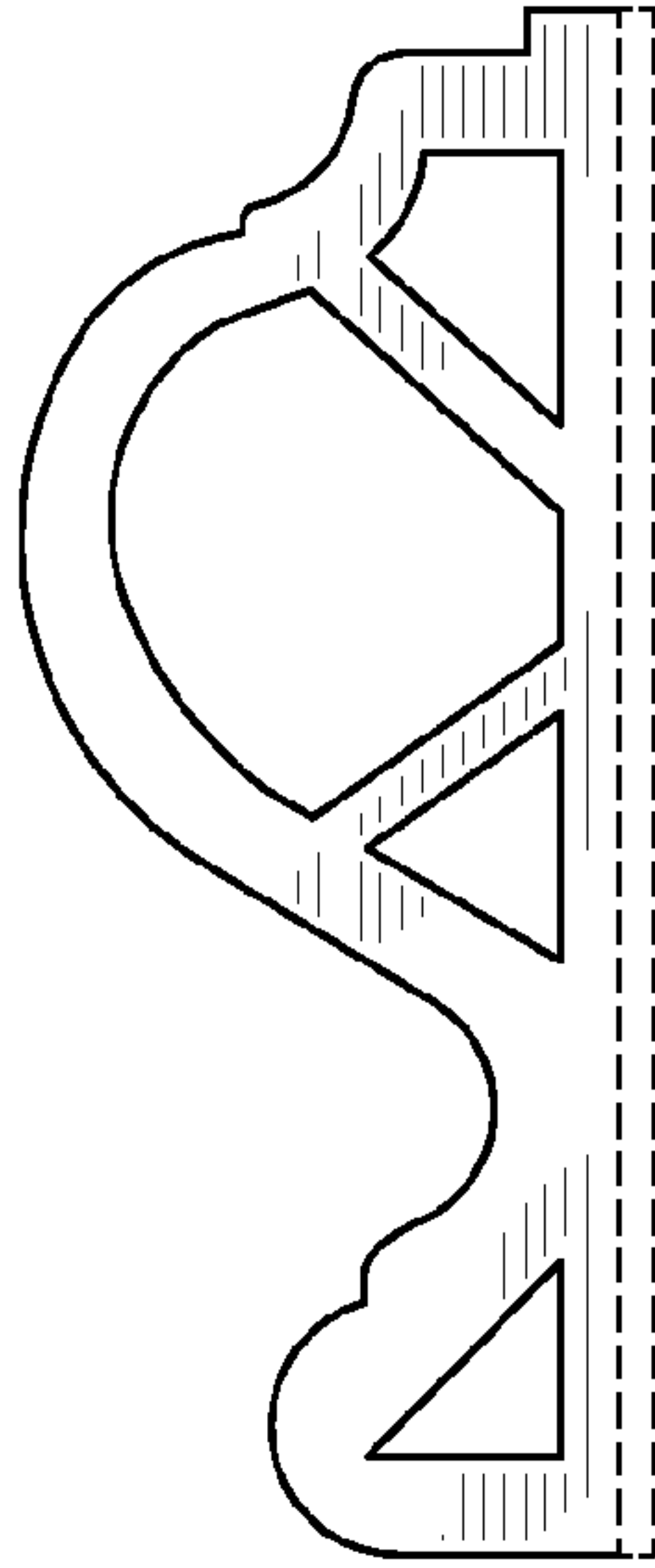


FIG-4

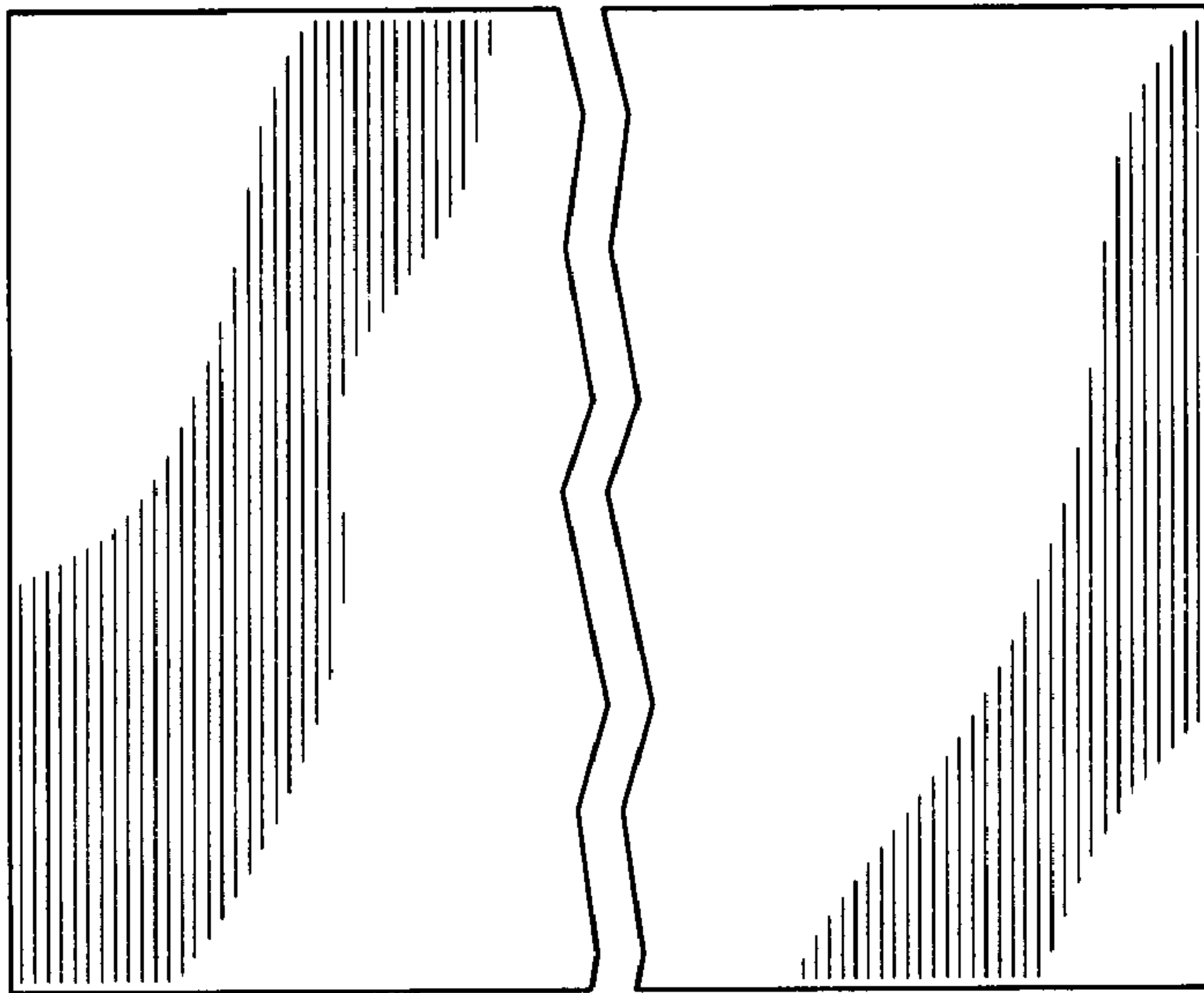


FIG-5

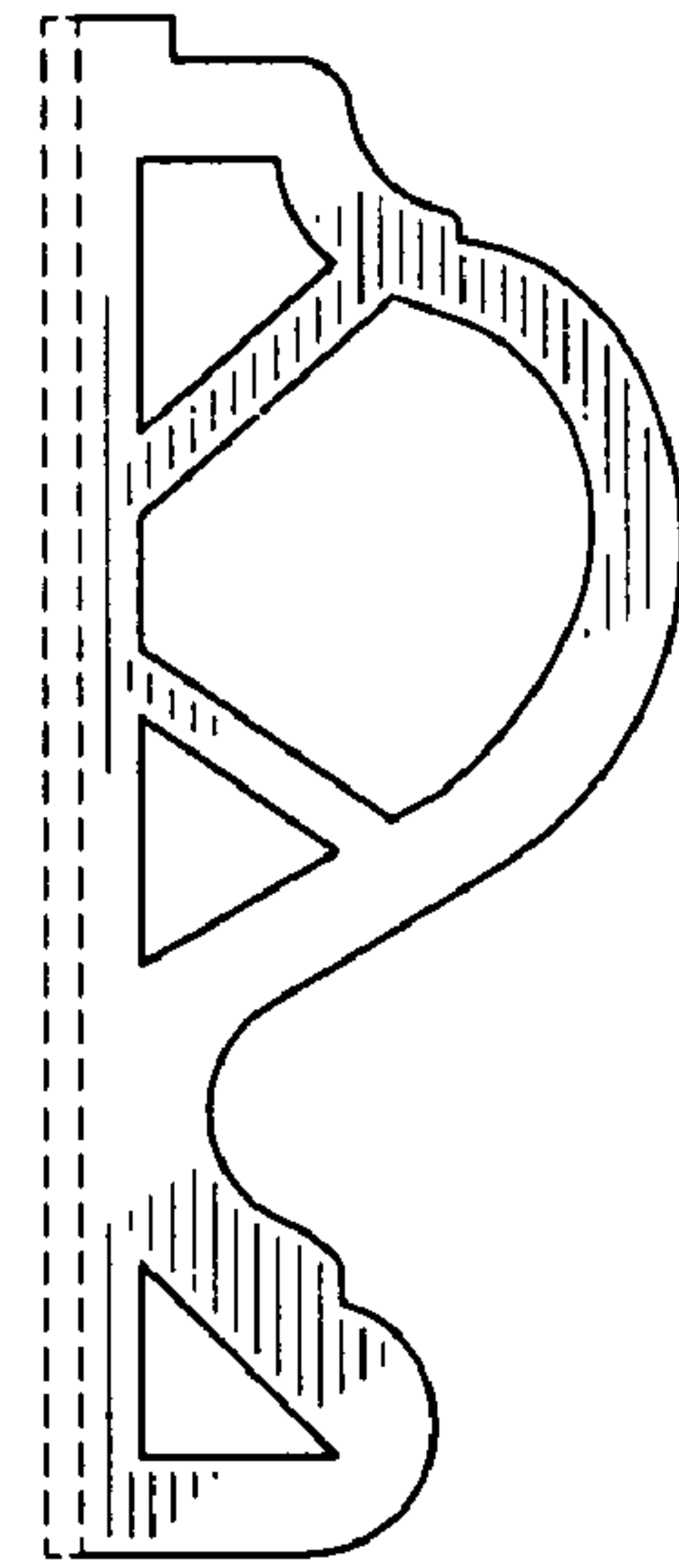


FIG-6

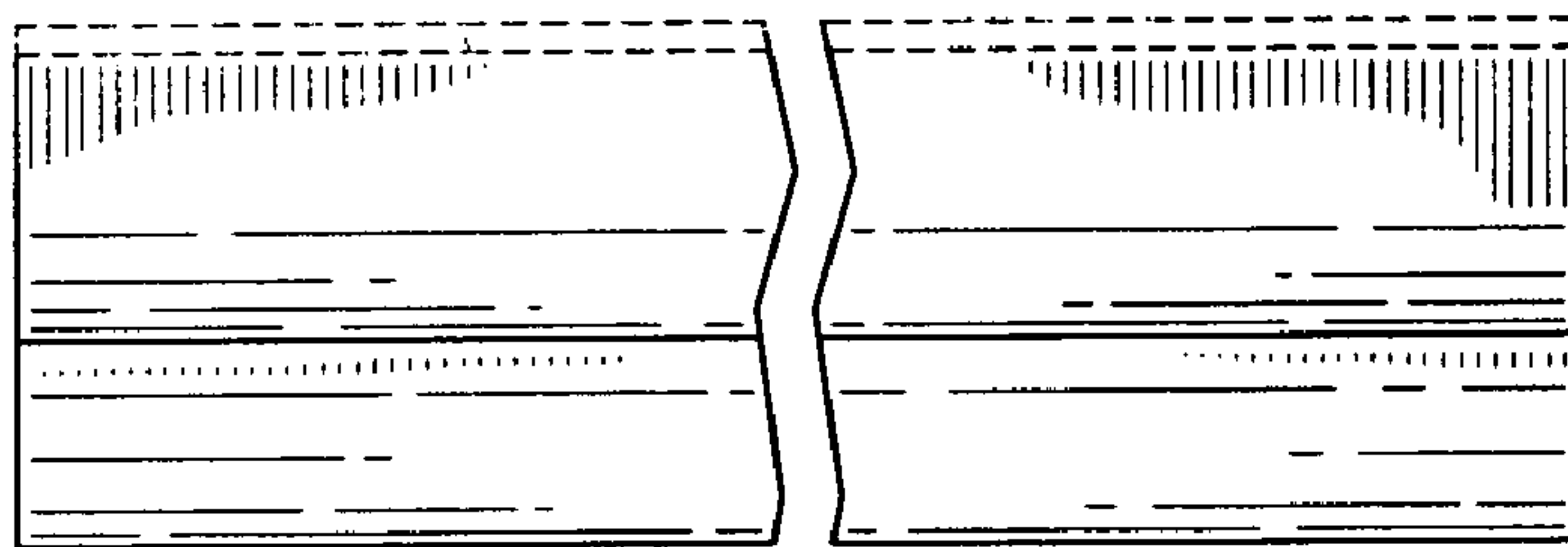


FIG-7