



US00D676150S

(12) **United States Design Patent**
Thornton

(10) **Patent No.:** **US D676,150 S**
(45) **Date of Patent:** **** Feb. 12, 2013**

(54) **STRUCTURAL MEMBER**

(76) Inventor: **Patrick Thornton**, Oak Flats (AU)

(**) Term: **14 Years**

(21) Appl. No.: **29/417,127**

(22) Filed: **Mar. 30, 2012**

Related U.S. Application Data

(62) Division of application No. 29/359,259, filed on Apr. 7, 2010, now Pat. No. Des. 660,458.

(30) **Foreign Application Priority Data**

Apr. 6, 2010 (AU) 201011202

(51) **LOC (9) Cl.** **25-01**

(52) **U.S. Cl.** **D25/102**

(58) **Field of Classification Search** D25/138,
D25/38, 164, 119, 102; D8/1; 52/233
See application file for complete search history.

(56) **References Cited**

U.S. PATENT DOCUMENTS

1,813,455	A	8/1929	Lawton	
3,189,950	A *	6/1965	Johnson	52/233
3,381,428	A *	5/1968	Sillman	52/233
3,552,079	A *	1/1971	Mortensen	52/592.6
3,908,322	A *	9/1975	Shoaf	52/92.1
4,279,108	A *	7/1981	Collister, Jr	52/233
4,344,263	A *	8/1982	Farmont	52/233
4,463,532	A	8/1984	Faw	
4,599,837	A *	7/1986	Wrightman	52/233
4,901,489	A *	2/1990	Garber	52/233
5,020,289	A *	6/1991	Wrightman	52/233
5,058,343	A	10/1991	Nipko	
5,325,645	A *	7/1994	Wrightman	52/233
D379,244	S *	5/1997	Wiebe	D25/164
5,782,046	A *	7/1998	Karlsson	52/233
6,199,332	B1 *	3/2001	Ellson	52/233
6,363,672	B1	4/2002	Baker	
D459,488	S	6/2002	Thornton	
D459,493	S	6/2002	Thornton	
D462,788	S	9/2002	Thornton	
D475,144	S	5/2003	Thornton	

7,318,299	B2	1/2008	Chambers
D569,880	S	5/2008	Ugarte
D571,380	S	6/2008	Ugarte
D574,519	S	8/2008	Hubbell
D575,879	S	8/2008	Wrightman et al.
7,854,098	B2	12/2010	Stanhope

FOREIGN PATENT DOCUMENTS

AU	144458	10/1999
AU	144245	11/1999
AU	150489	8/2001
AU	156224	2/2003
AU	158523	4/2004
AU	327160	6/2009
AU	327161	6/2009
AU	327162	6/2009
AU	327173	6/2009
AU	327275	6/2009
FR	2556030	6/1985
WO	2009094696	8/2009

* cited by examiner

Primary Examiner — T. Chase Nelson

Assistant Examiner — Michelle E Wilson

(74) *Attorney, Agent, or Firm* — Dowell & Dowell, PC

(57) **CLAIM**

The ornamental design for a structural member, as shown and described.

DESCRIPTION

FIG. 1 is a front right perspective view of a structural member showing my new design;
 FIG. 2 is a front left perspective view thereof;
 FIG. 3 is a rear left perspective view thereof;
 FIG. 4 is a rear right perspective view thereof;
 FIG. 5 is a top plan view thereof;
 FIG. 6 is a bottom plan view thereof;
 FIG. 7 is a left side view thereof;
 FIG. 8 is a right side view thereof;
 FIG. 9 is a front elevation view thereof;
 FIG. 10 is a rear elevation view thereof;
 FIG. 11 is a cross sectional view thereof taken along line 11-11 of FIG. 8;
 FIG. 12 is a front right perspective view of an alternate embodiment of a structural member showing my new design;

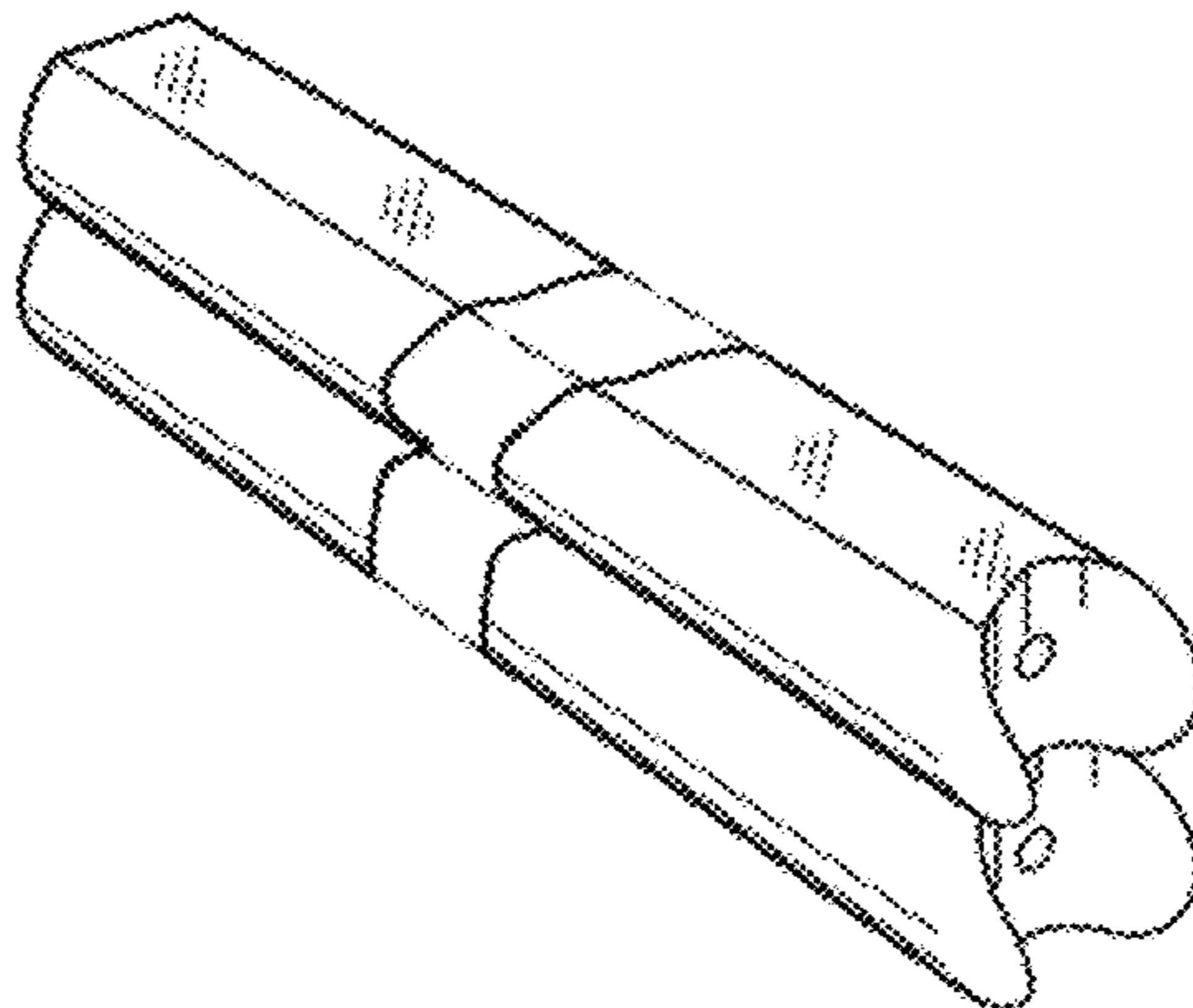


FIG. 13 is a front left perspective view of the alternate embodiment;

FIG. 14 is a rear left perspective view of the alternate embodiment;

FIG. 15 is a rear right perspective view of the alternate embodiment;

FIG. 16 is a top plan view of the alternate embodiment;

FIG. 17 is a bottom plan view of the alternate embodiment;

FIG. 18 is a left side view of the alternate embodiment;

FIG. 19 is a right side view of the alternate embodiment;

FIG. 20 is a front elevation view of the alternate embodiment;
FIG. 21 is a rear elevation view of the alternate embodiment;
and,

FIG. 22 is a cross sectional view taken along line 22-22 of FIG. 19.

The structural member is shown broken away to indicate that any portion of the article beyond what is shown forms no part of the claimed design.

1 Claim, 6 Drawing Sheets

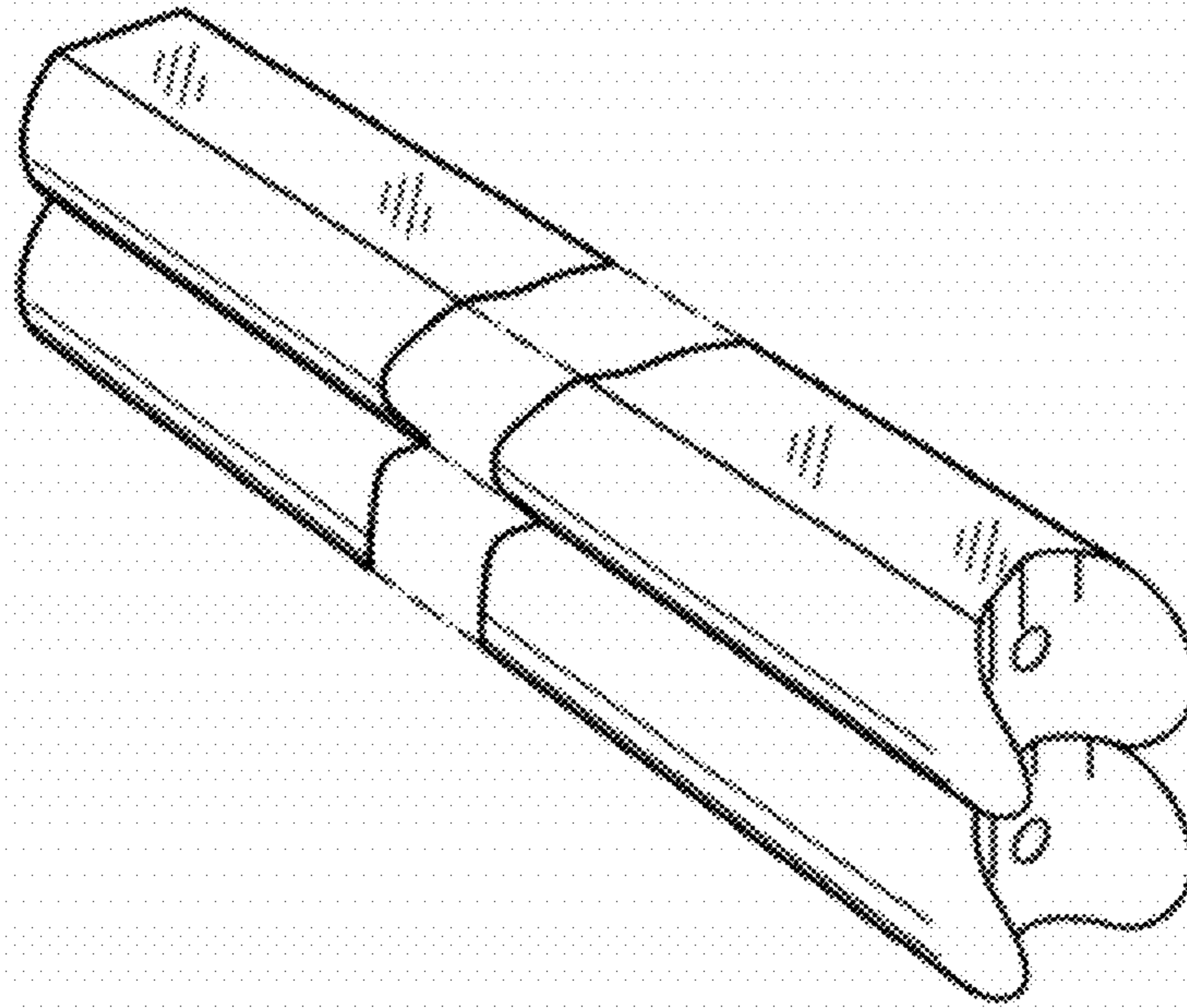


FIGURE 1

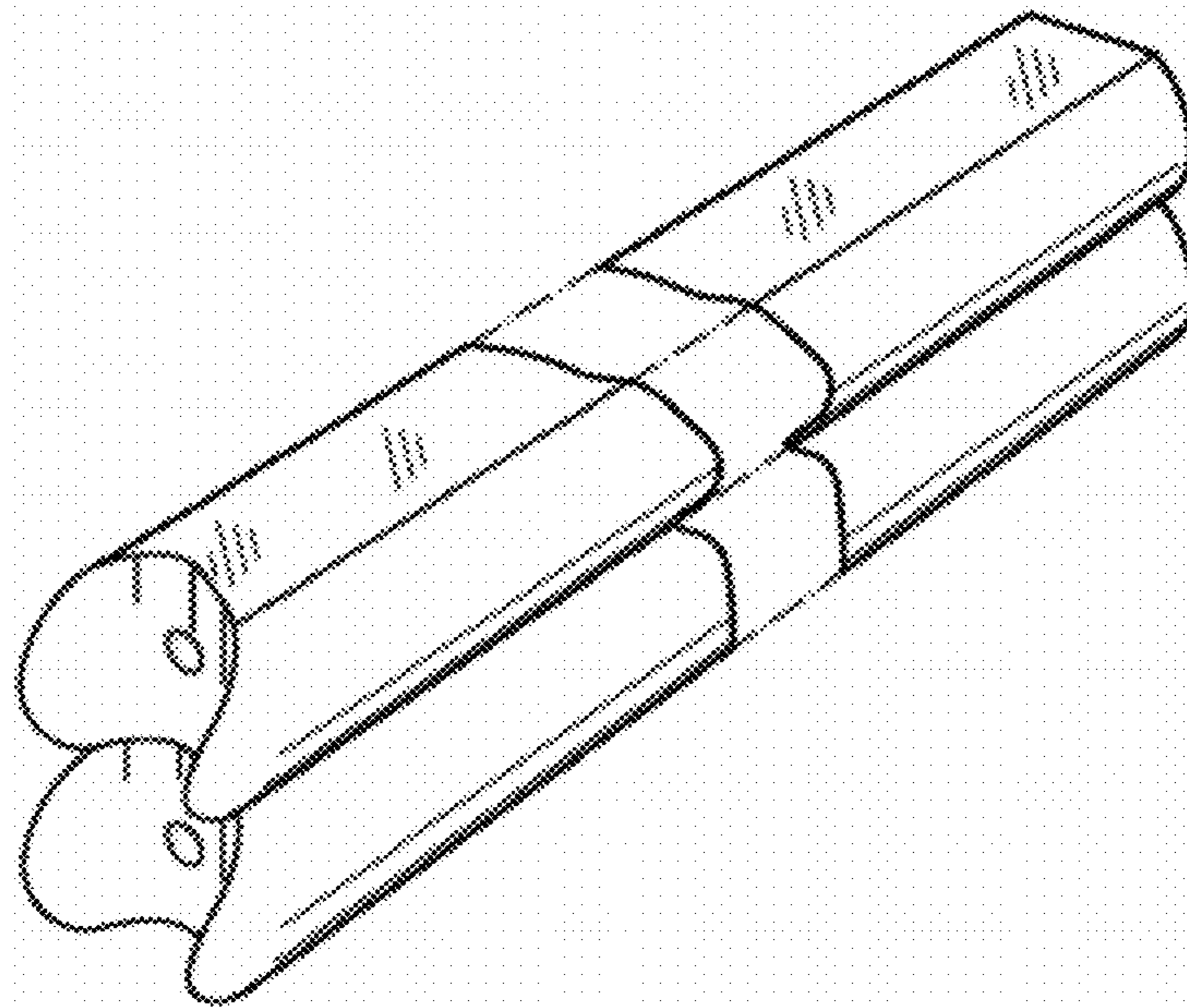


FIGURE 2

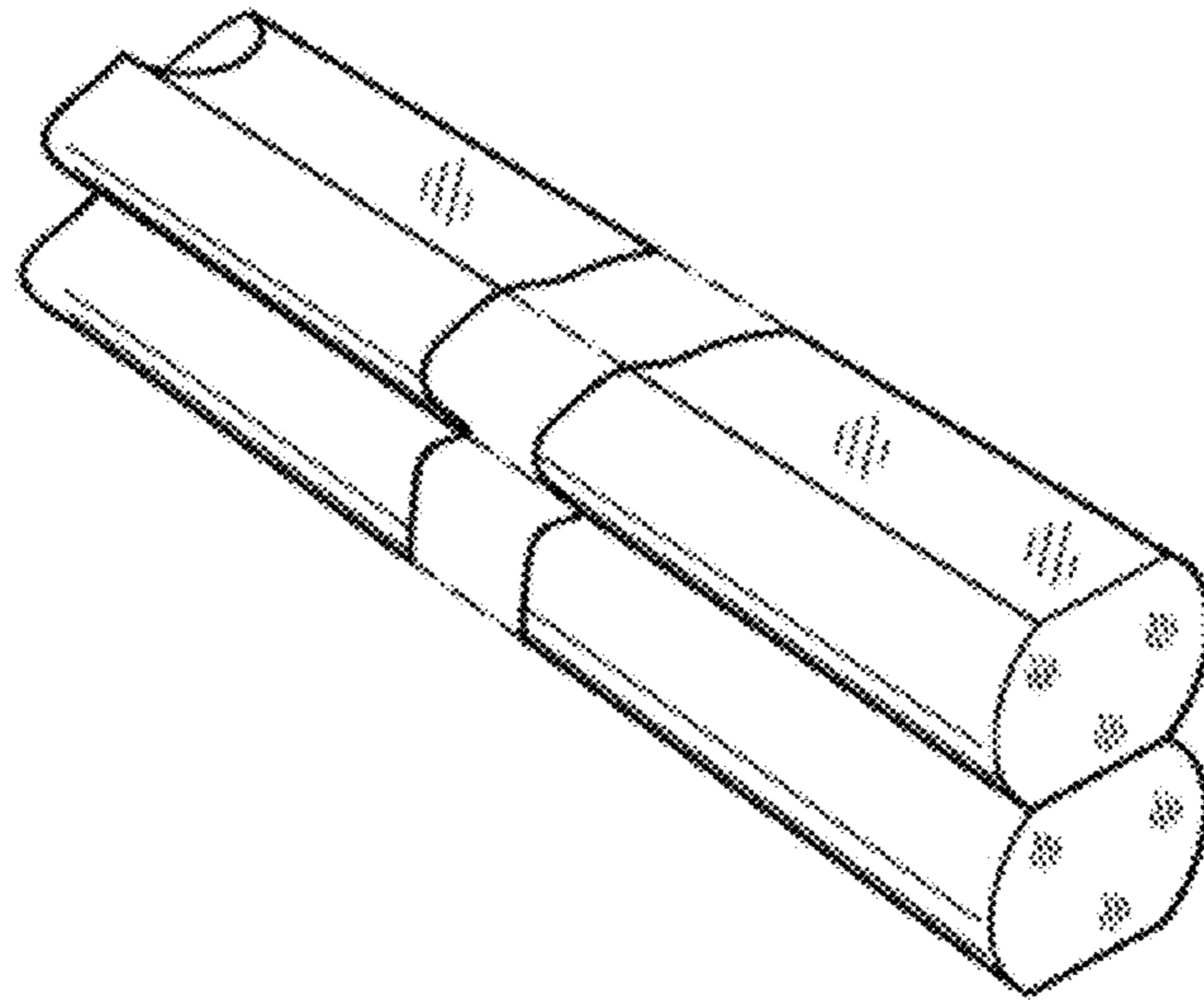


FIGURE 3

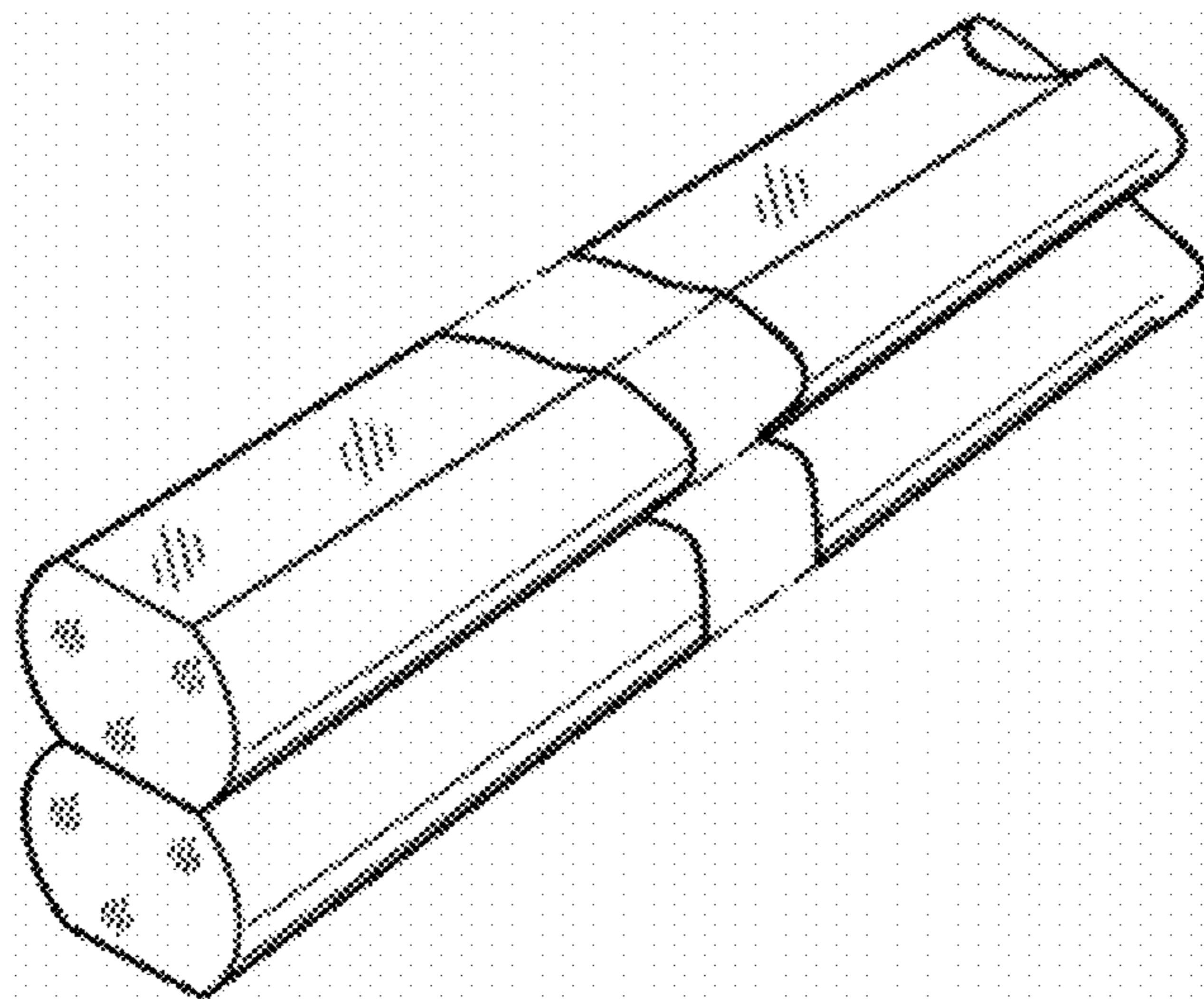


FIGURE 4

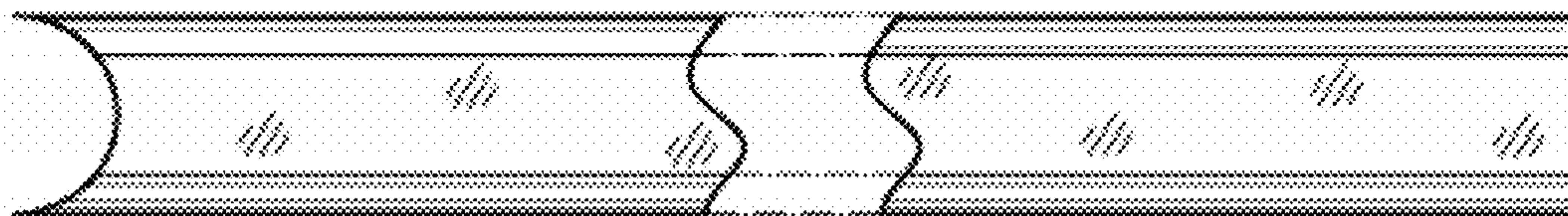


FIGURE 5

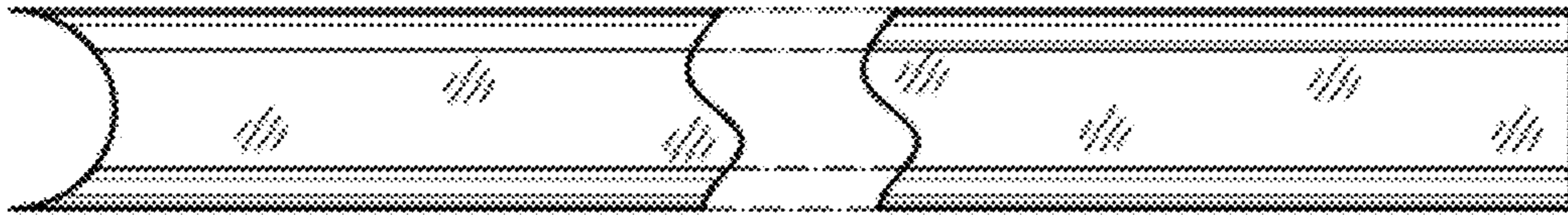


FIGURE 6

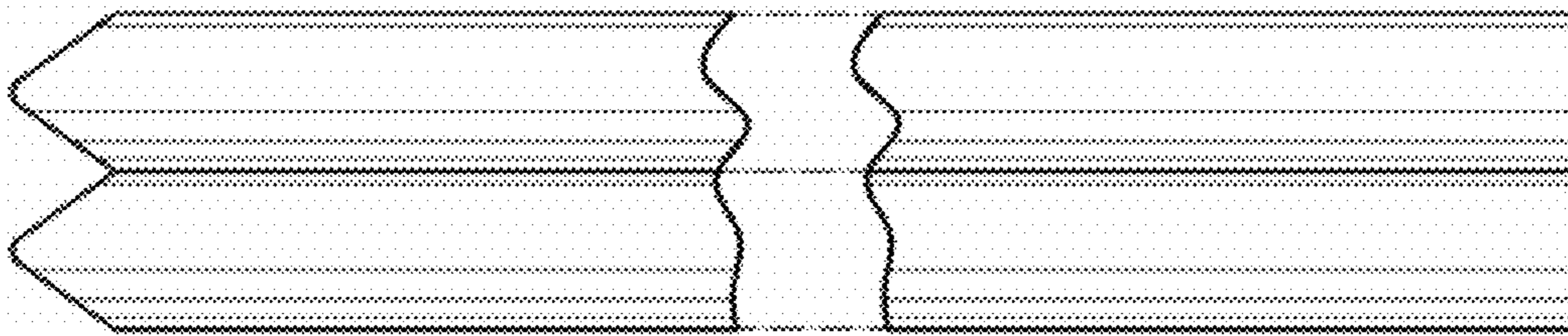


FIGURE 7

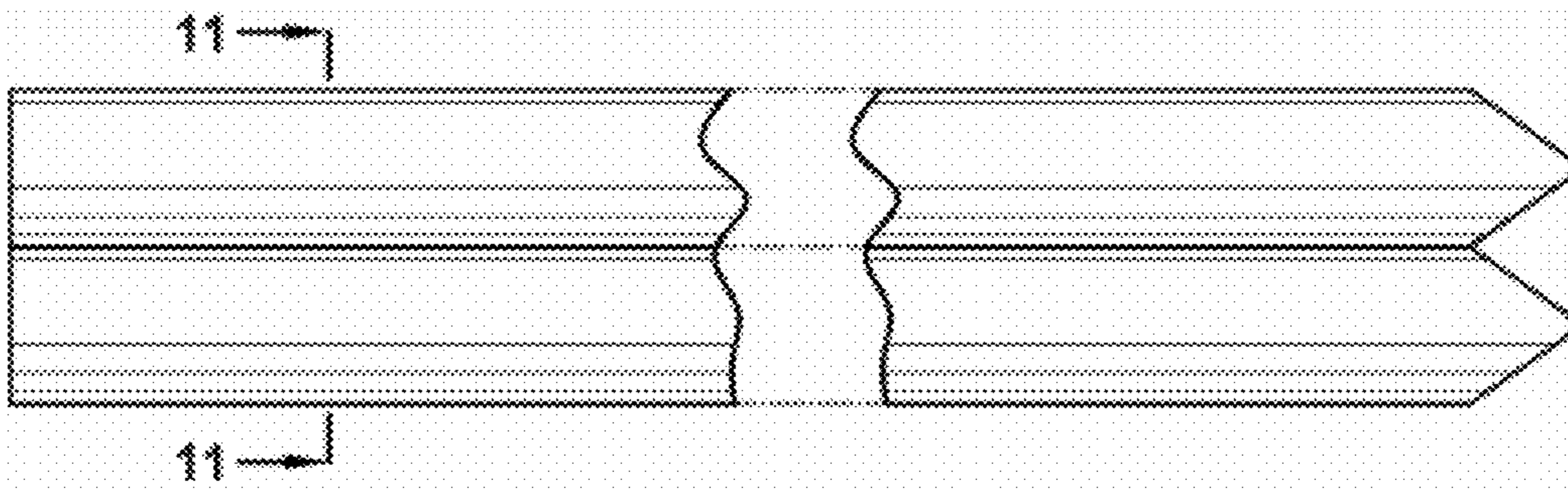


FIGURE 8

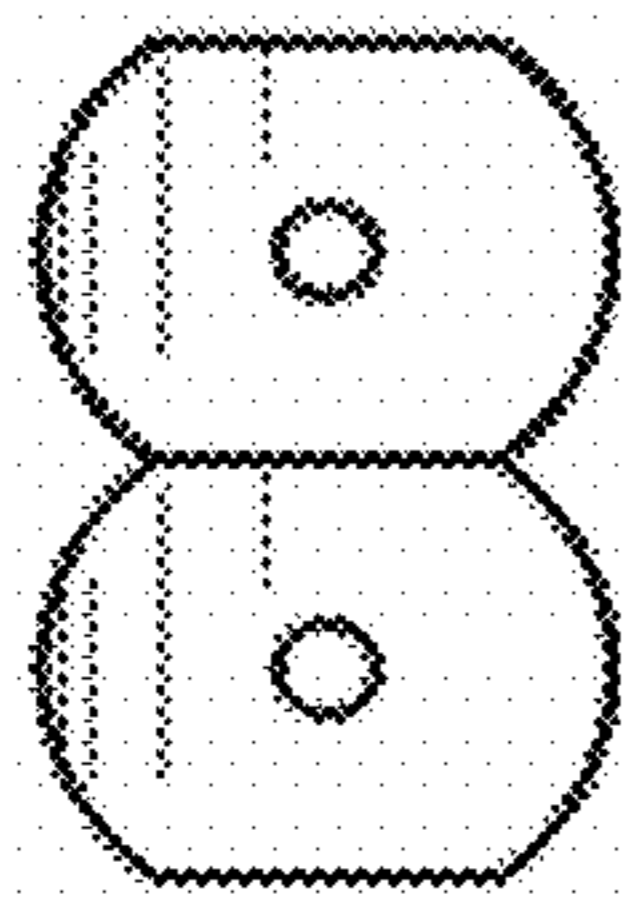


FIGURE 9

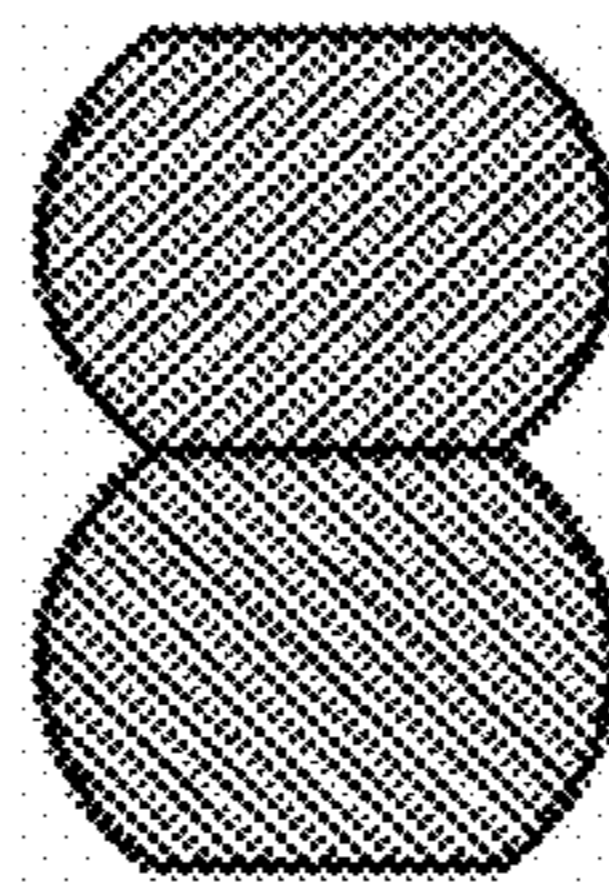


FIGURE 11

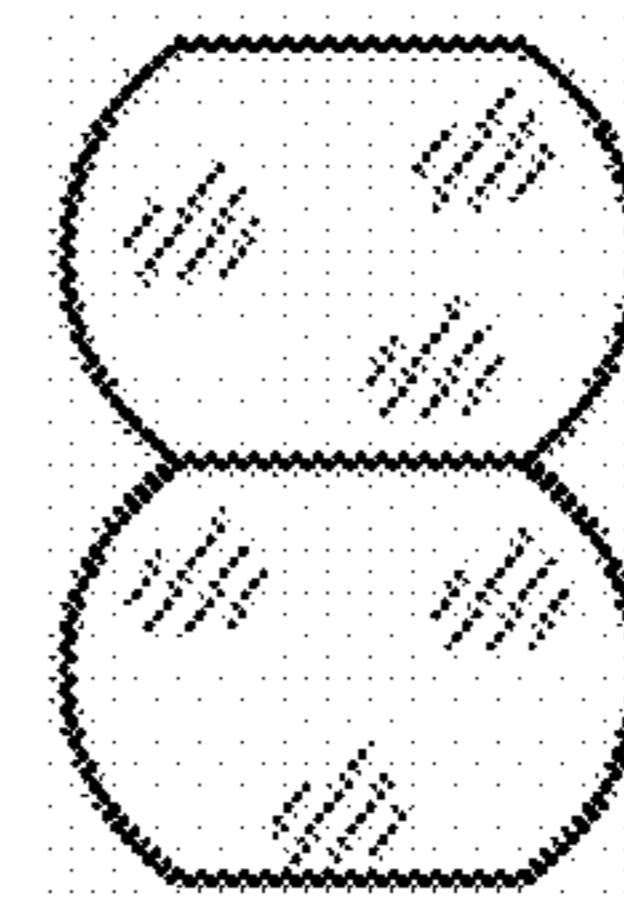


FIGURE 10

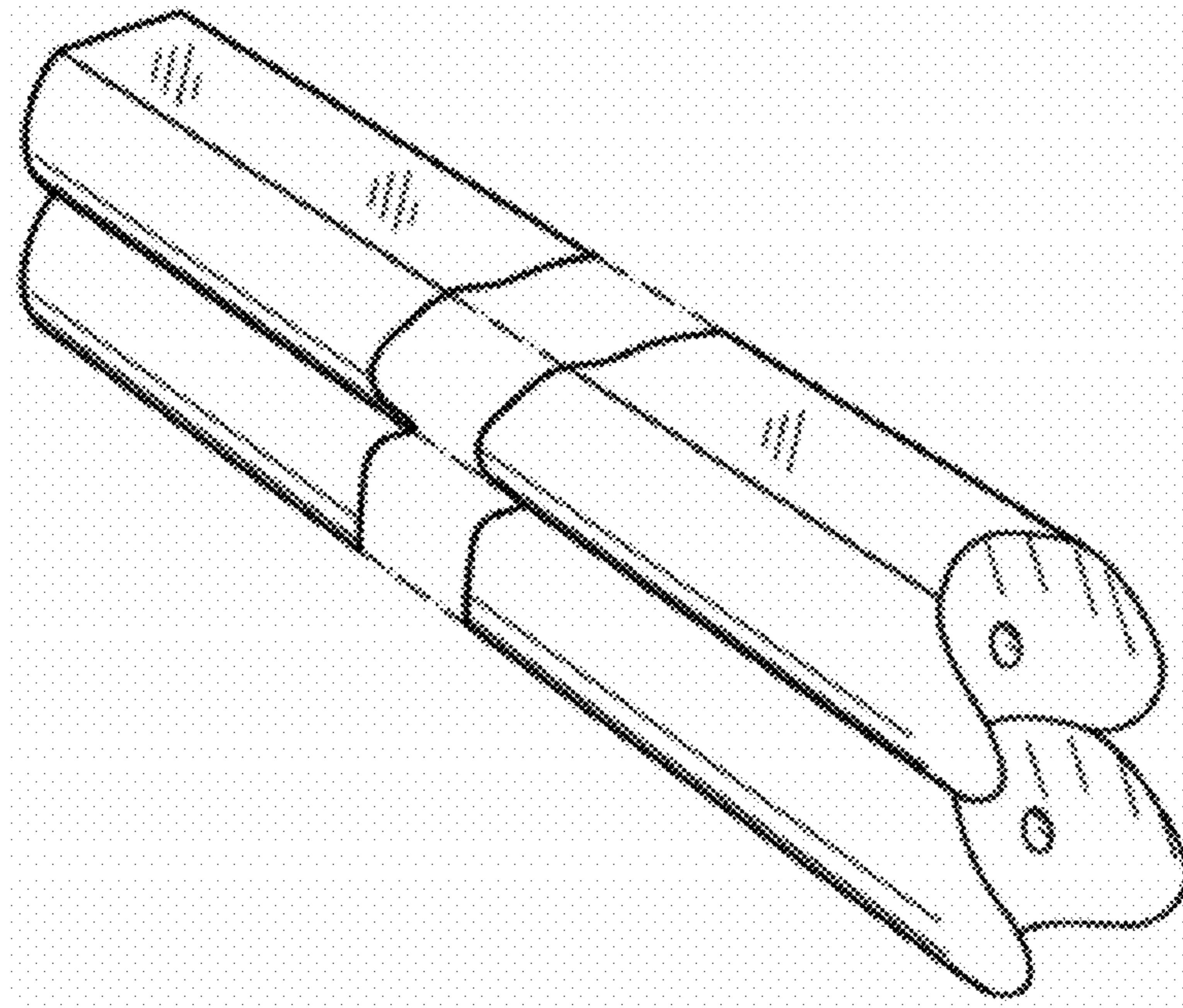


FIGURE 12

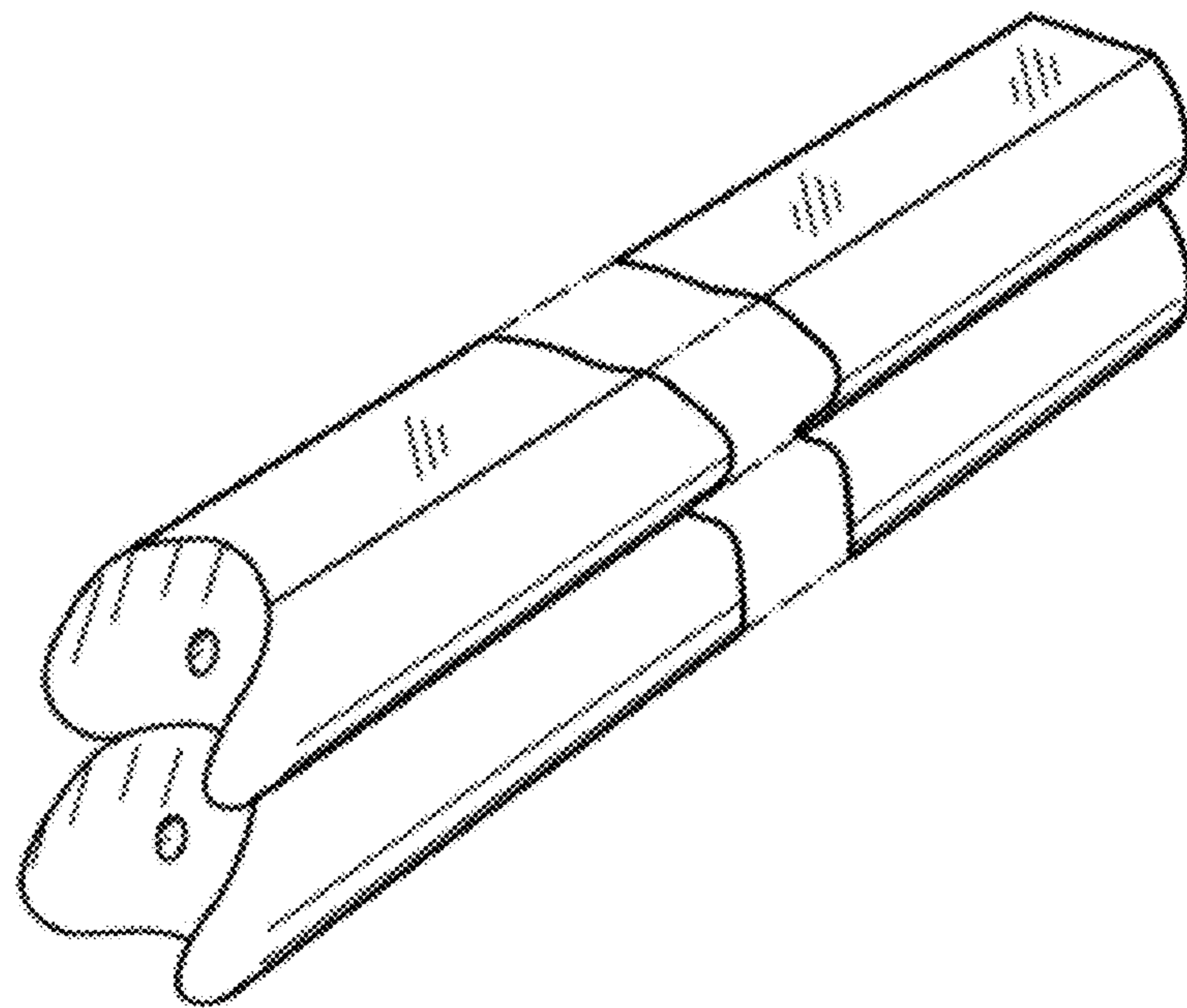


FIGURE 13

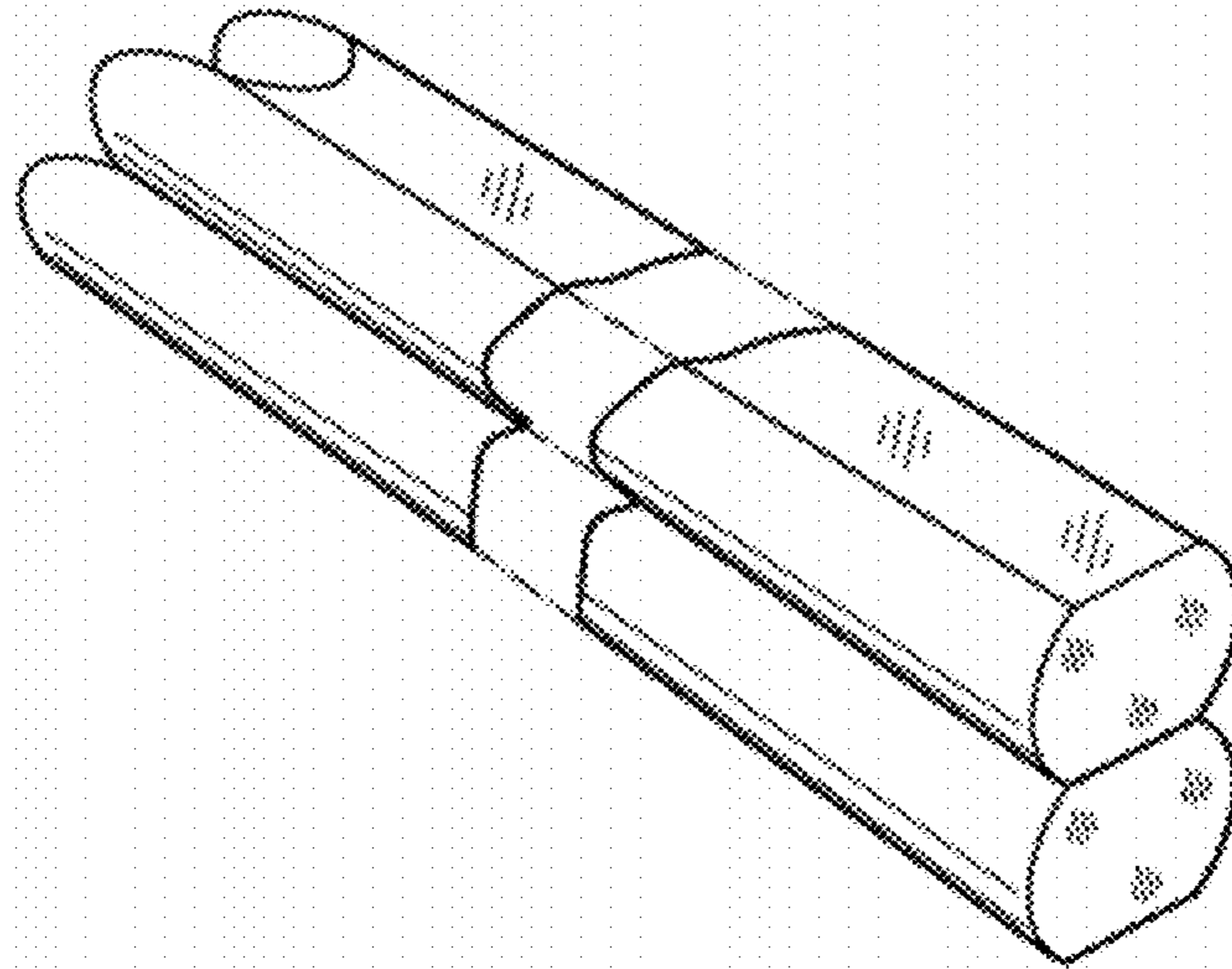


FIGURE 14

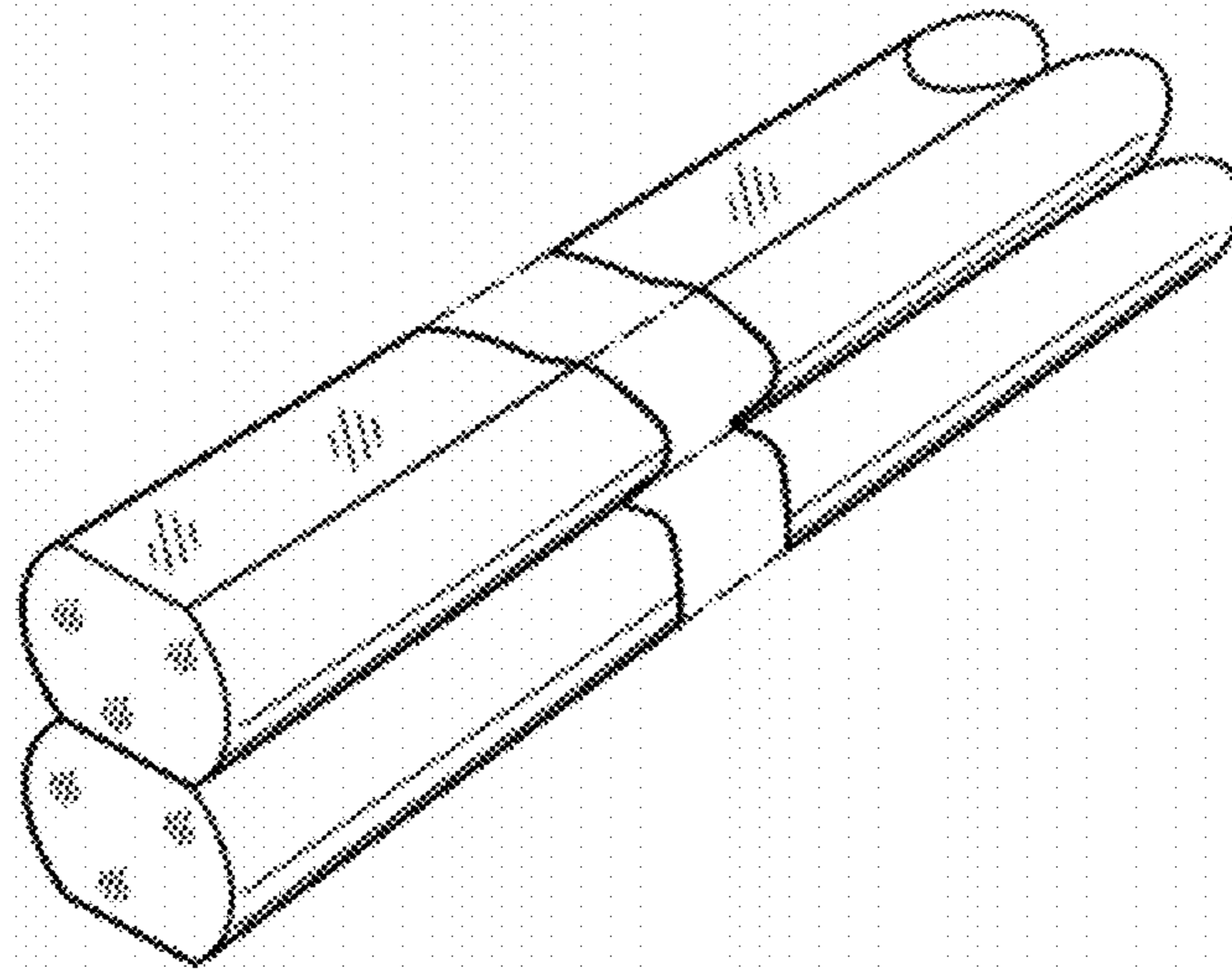


FIGURE 15



FIGURE 16



FIGURE 17

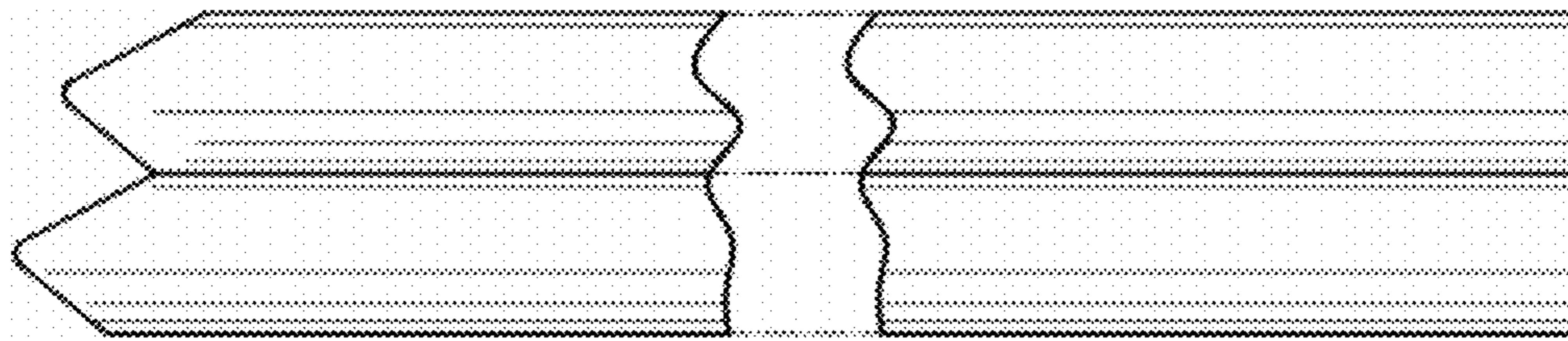


FIGURE 18

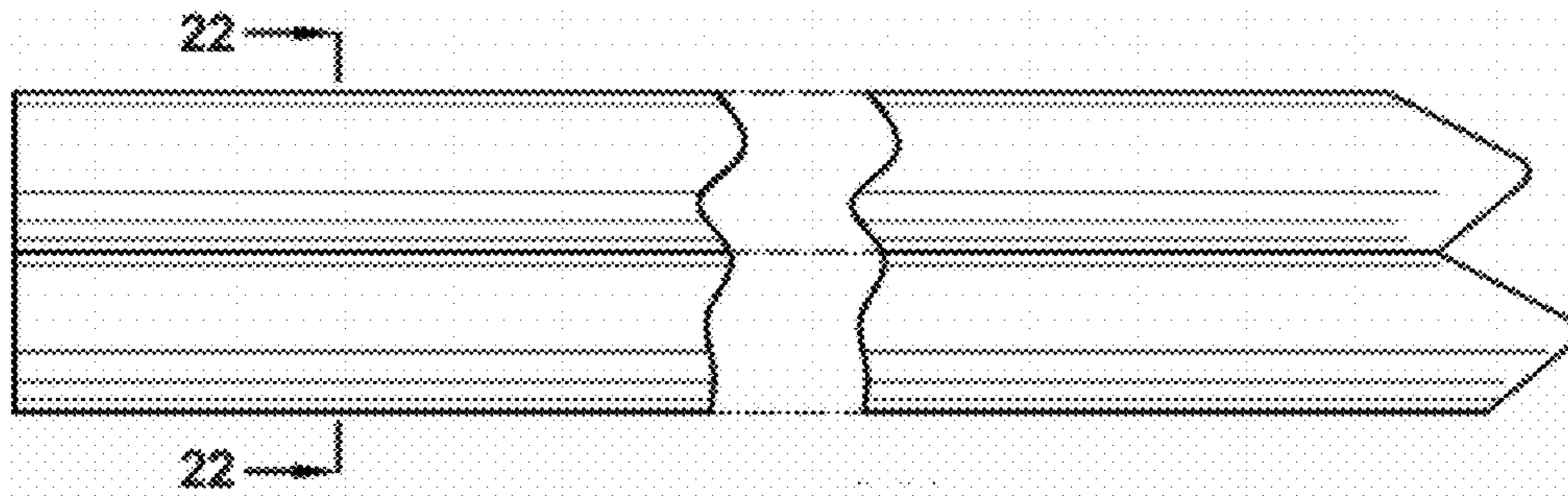


FIGURE 19

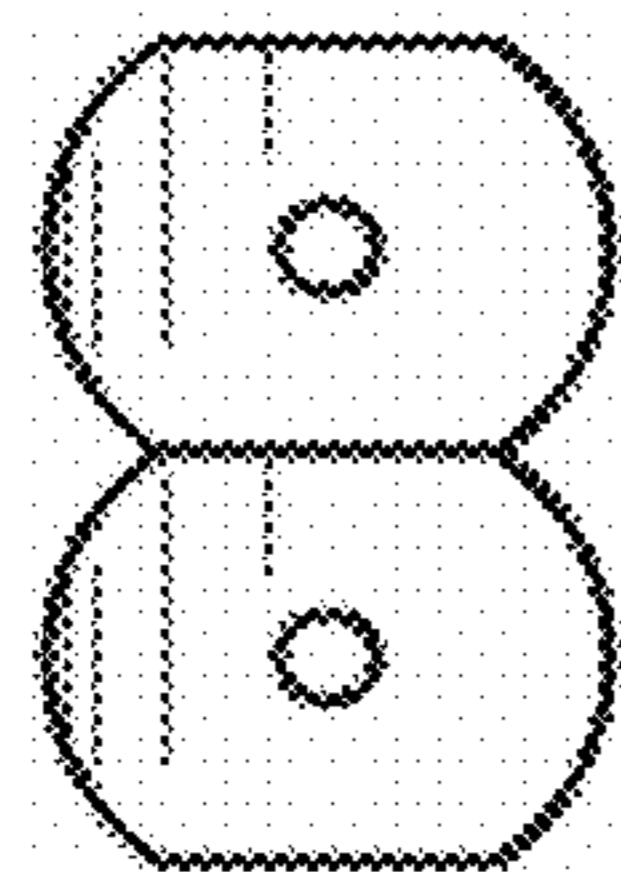


FIGURE 20

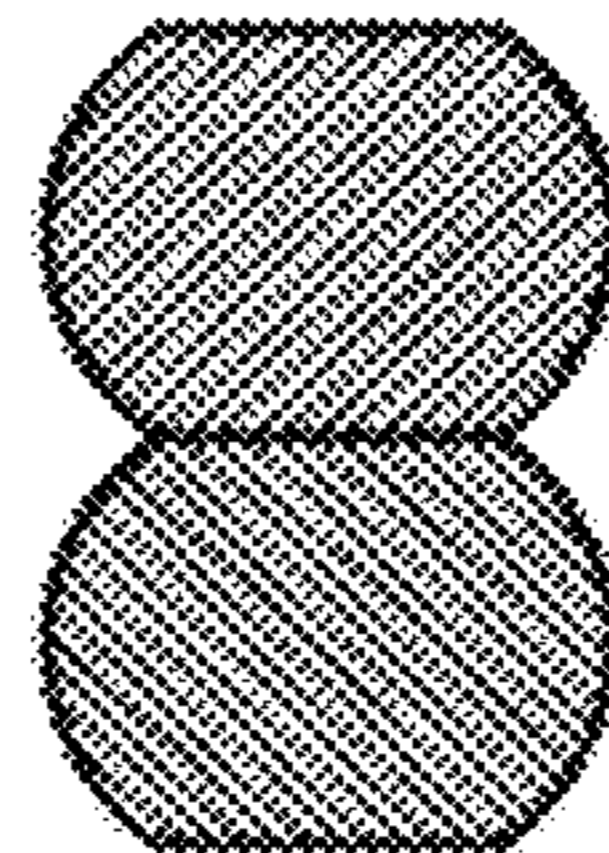


FIGURE 22

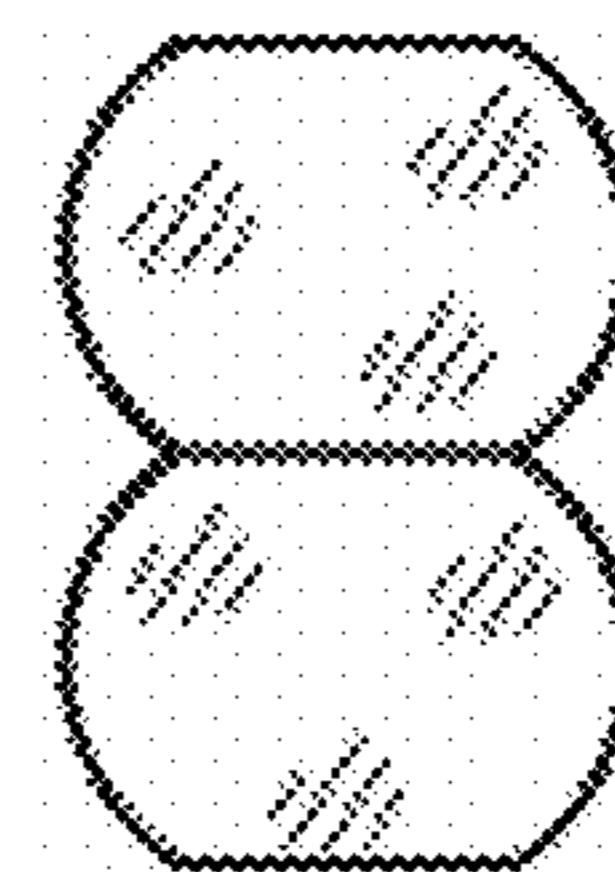


FIGURE 21