



US00D676145S

(12) **United States Design Patent**
Kouge et al.

(10) **Patent No.:** **US D676,145 S**
(45) **Date of Patent:** **** Feb. 12, 2013**

(54) **CHIP FOR BIOCHEMICAL EXAMINATION**

FOREIGN PATENT DOCUMENTS

(75) Inventors: **Masahiro Kouge**, Ehime (JP);
Kazuyoshi Mori, Ehime (JP)

JP	D1332499	6/2008
JP	D1332500	6/2008
JP	D1332501	6/2008
JP	D1332502	6/2008
JP	D1345448	12/2008

(73) Assignee: **Panasonic Corporation**, Osaka (JP)

* cited by examiner

(**) Term: **14 Years**

Primary Examiner — Anhdao Doan

(21) Appl. No.: **29/415,082**

(74) *Attorney, Agent, or Firm* — Brinks Hofer Gilson & Lione

(22) Filed: **Mar. 7, 2012**

(30) **Foreign Application Priority Data**

(57) **CLAIM**

Oct. 20, 2011 (JP) 2011-024083

We claim the ornamental design for a chip for biochemical examination, as shown and described.

(51) **LOC (9) Cl.** **24-01**

DESCRIPTION

(52) **U.S. Cl.** **D24/225**

(58) **Field of Classification Search** D24/216–217,
D24/219, 223–226, 227, 229–231, 232, 107,
D24/121–123; D10/81; 422/408, 430, 500,
422/502, 503, 68.1; 436/163, 164, 169
See application file for complete search history.

FIG. 1 is a front perspective view of a chip for biochemical examination of the present invention;
FIG. 2 is a rear perspective view thereof;
FIG. 3 is a front view thereof;
FIG. 4 is a rear view thereof;
FIG. 5 is a first side view thereof;
FIG. 6 is a second side view thereof;
FIG. 7 is a top view thereof;
FIG. 8 is a bottom view thereof;
FIG. 9 is a rear perspective view thereof with the cover removed;
FIG. 10 is a rear view thereof with the cover removed;
FIG. 11 is a cross-section view taken along the line 11-11' of FIG. 4 with the internal parts being omitted;
FIG. 12 is a cross-section view taken along the line 12-12 of FIG. 4 with the internal parts being omitted;
FIG. 13 is a cross-section view taken along the line 13-13 of FIG. 4 with the internal parts being omitted; and,
FIG. 14 is a cross-section view taken along the line 14-14 of FIG. 4 with the internal parts being omitted.

(56) **References Cited**

U.S. PATENT DOCUMENTS

D243,543	S *	3/1977	Fadler et al.	D24/216
D252,157	S *	6/1979	Kronish et al.	D24/226
D351,913	S *	10/1994	Hieb et al.	D24/223
5,731,212	A *	3/1998	Gavin et al.	436/526
5,912,134	A *	6/1999	Shartle	435/7.24
D435,112	S *	12/2000	Kumar et al.	D24/224
6,926,864	B2 *	8/2005	Peeters et al.	422/68.1
D530,021	S *	10/2006	Muraca	D24/226
D595,860	S	7/2009	Yokogawa et al.		
D596,310	S	7/2009	Yokogawa et al.		
D621,060	S *	8/2010	Handique	D24/225
8,101,428	B2 *	1/2012	Zhou et al.	436/180
D655,423	S *	3/2012	Nielsen et al.	D24/216
8,202,491	B2 *	6/2012	Masters et al.	422/503
2009/0130719	A1 *	5/2009	Handique	435/91.2

1 Claim, 14 Drawing Sheets

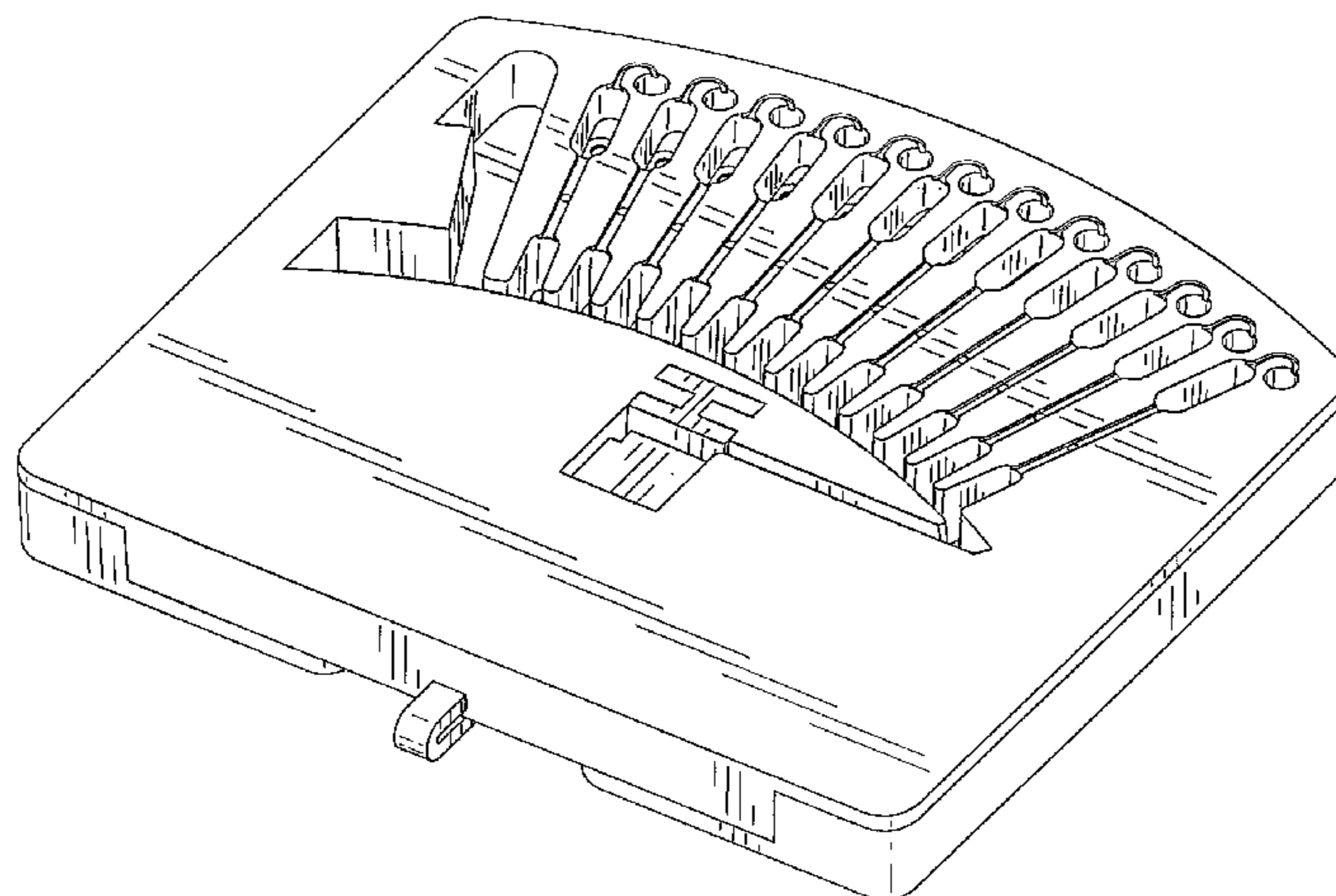


FIG. 1

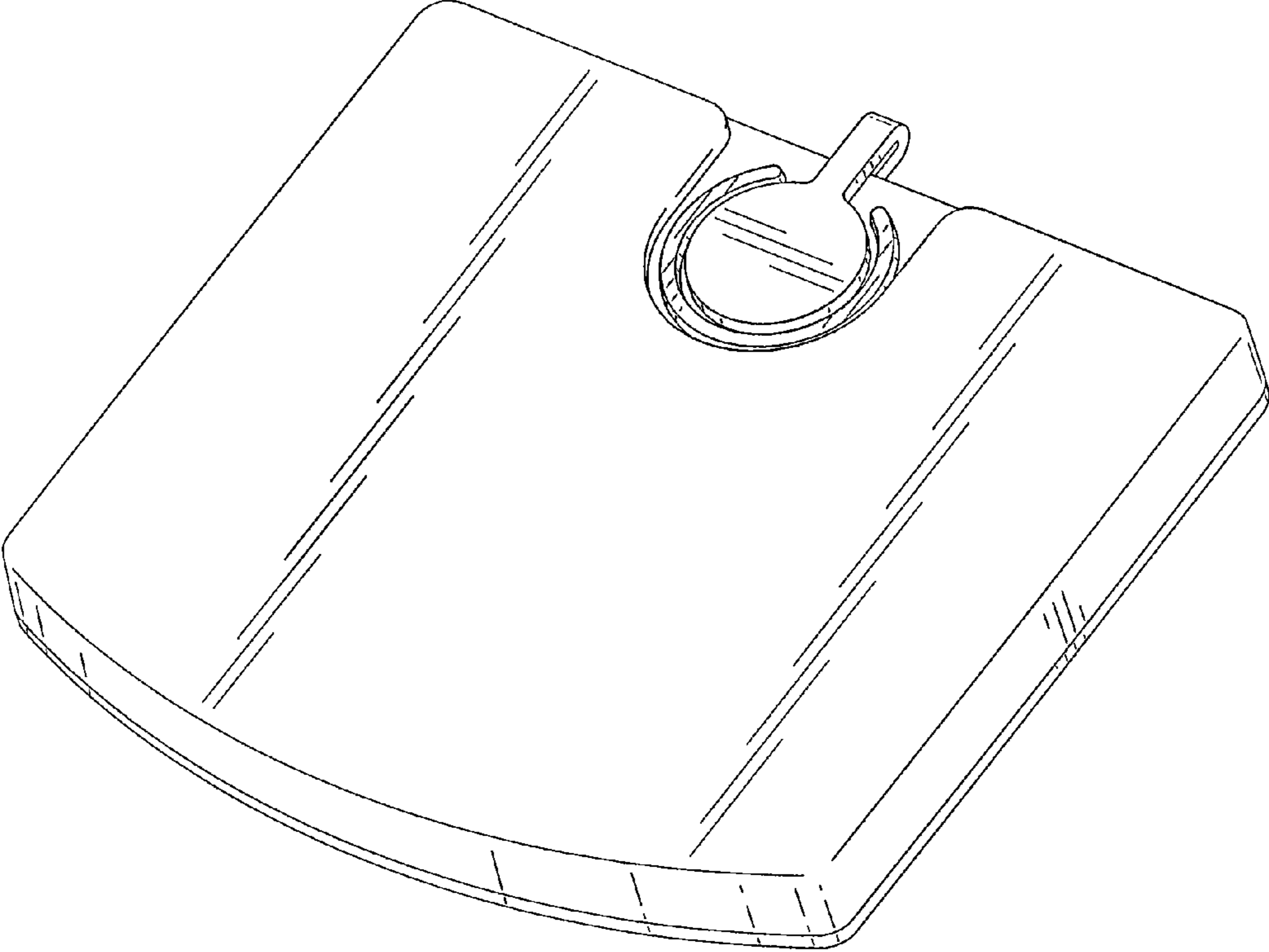


FIG. 2

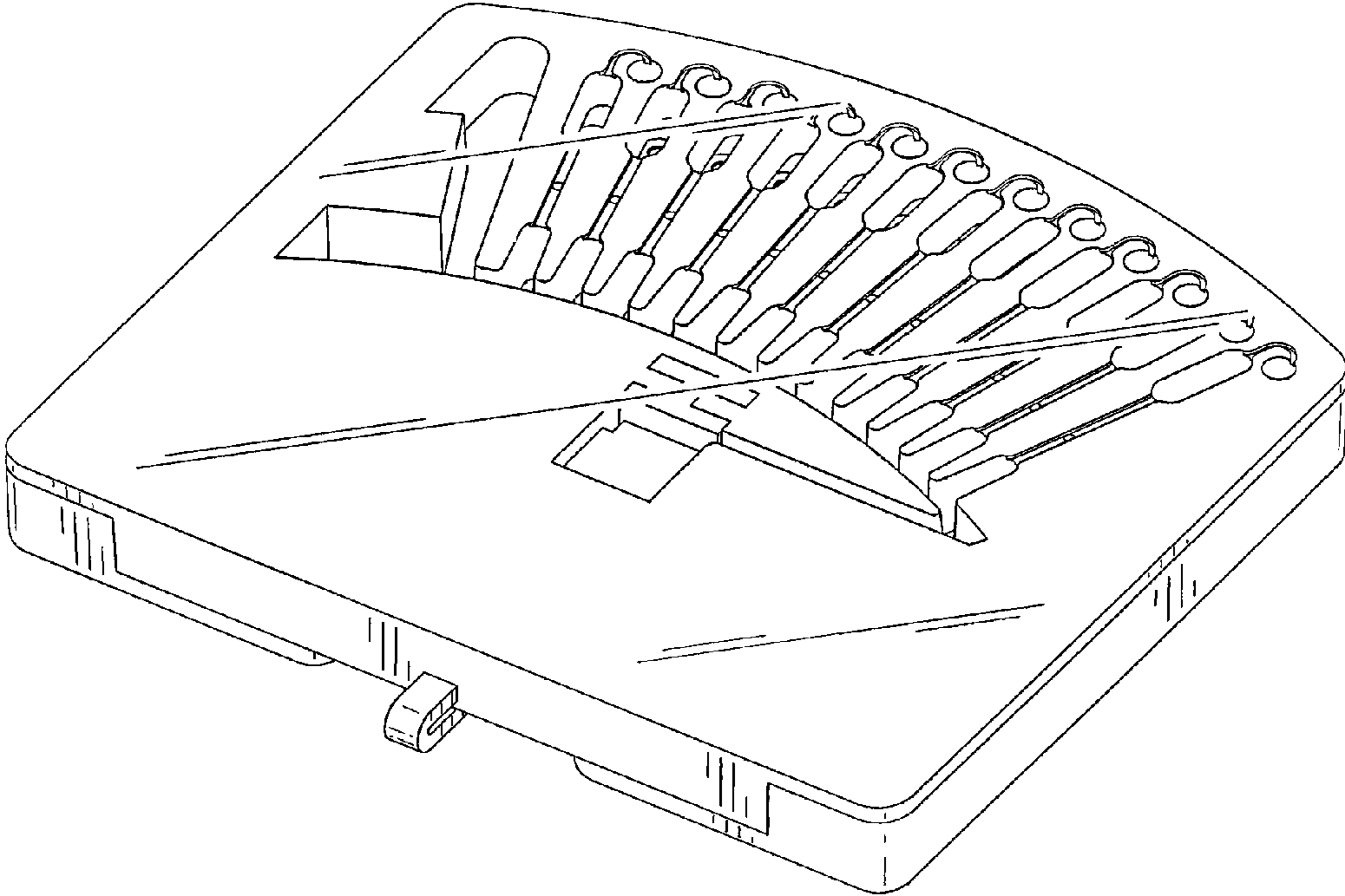


FIG. 3

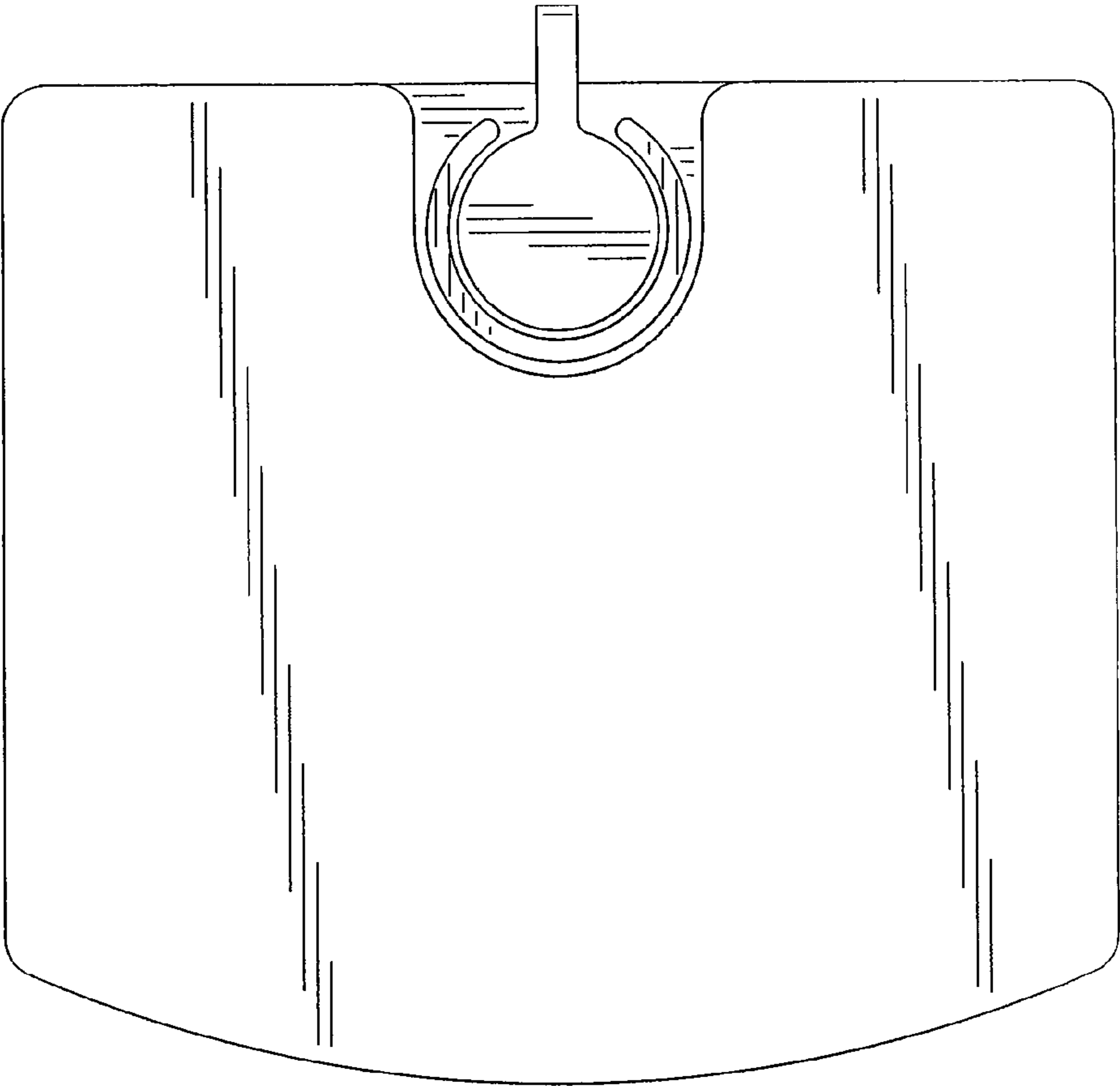


FIG. 4

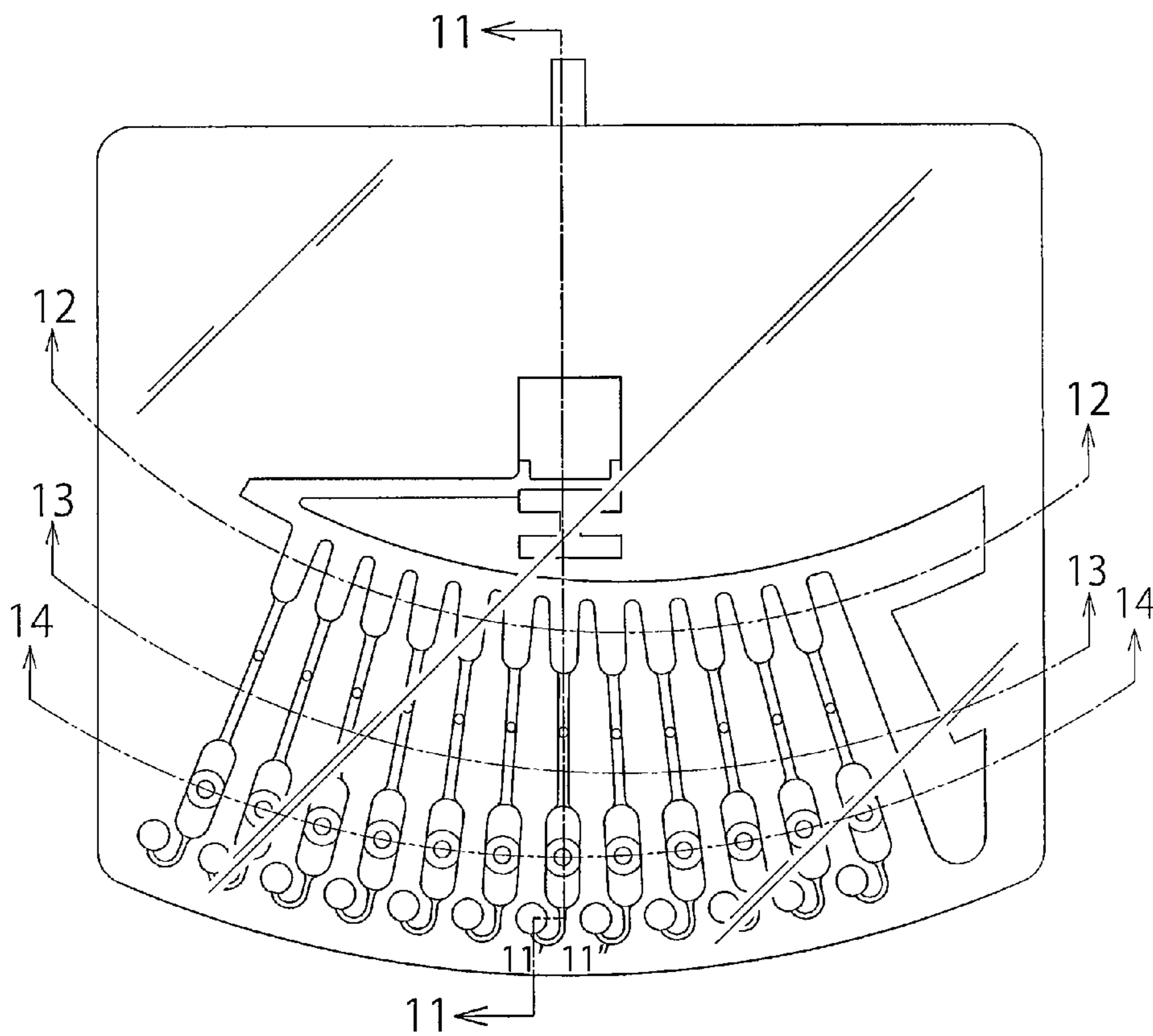


FIG. 5

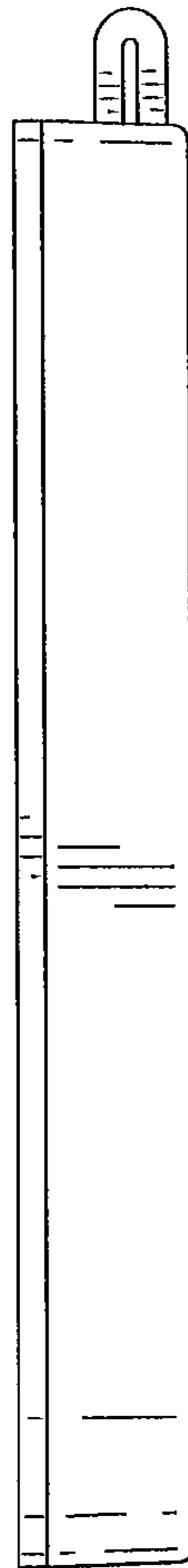


FIG. 6

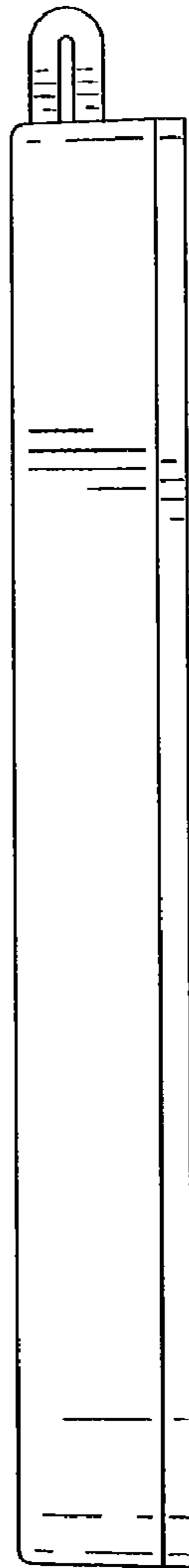


FIG. 7

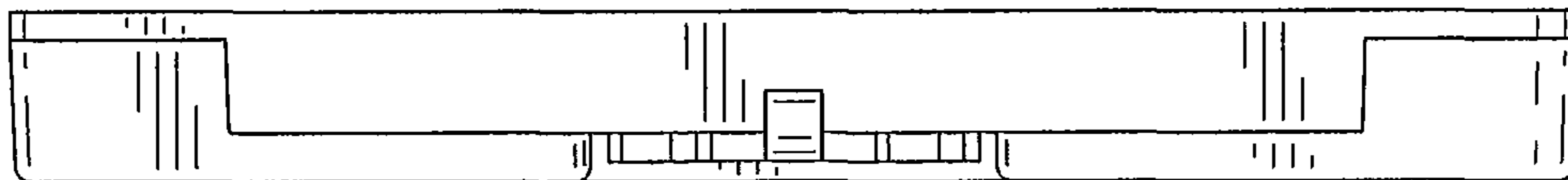


FIG. 8

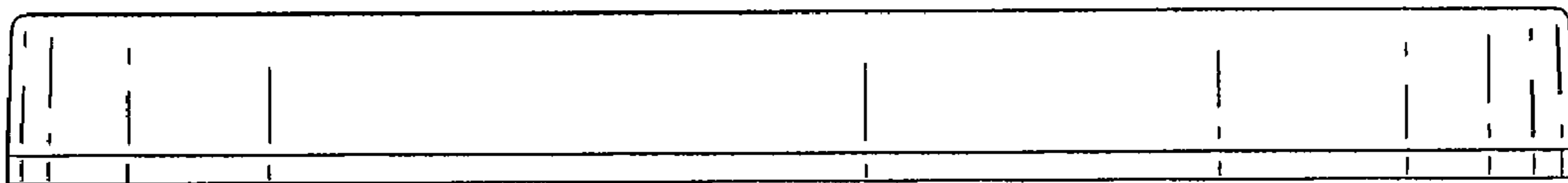


FIG. 9

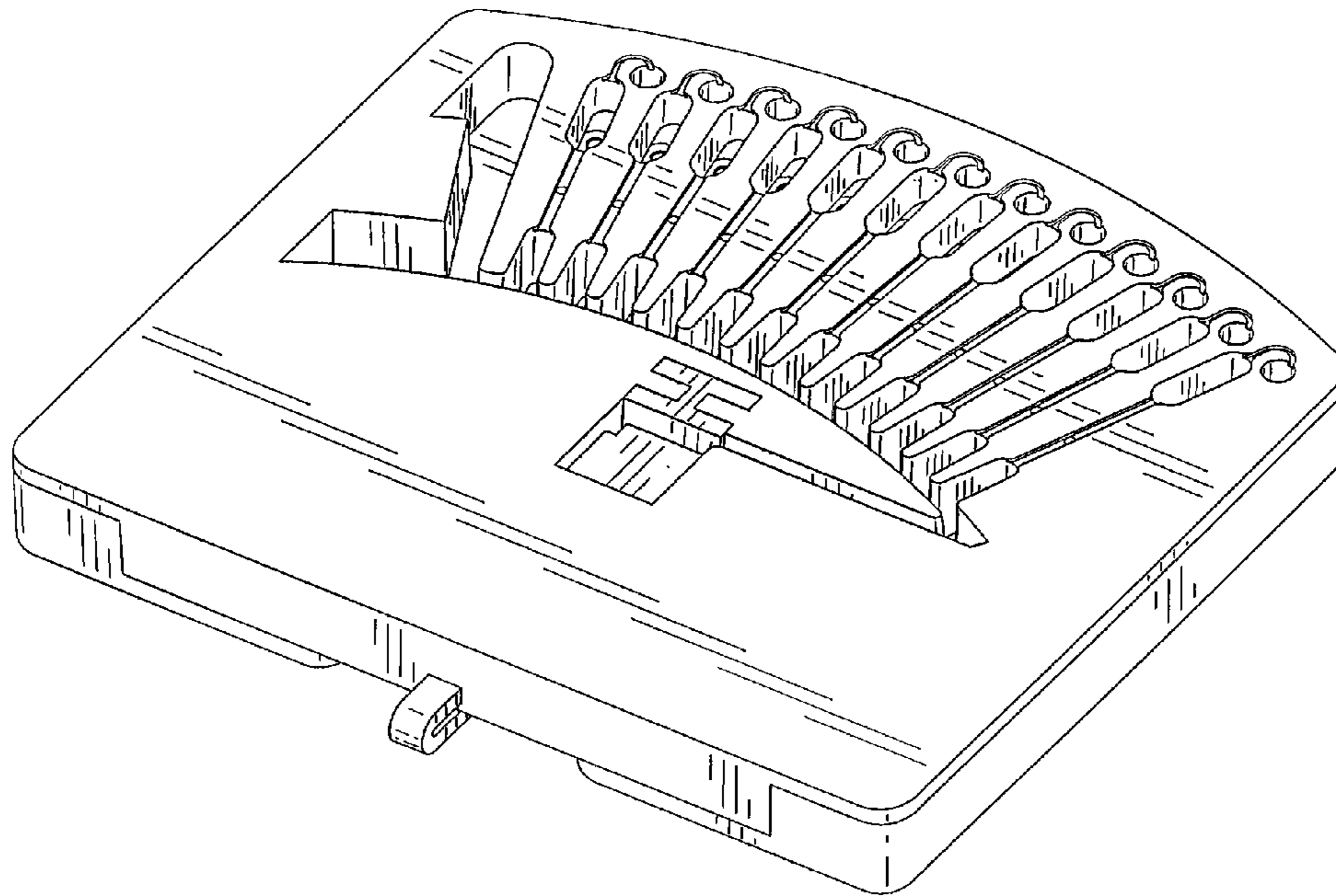


FIG. 10

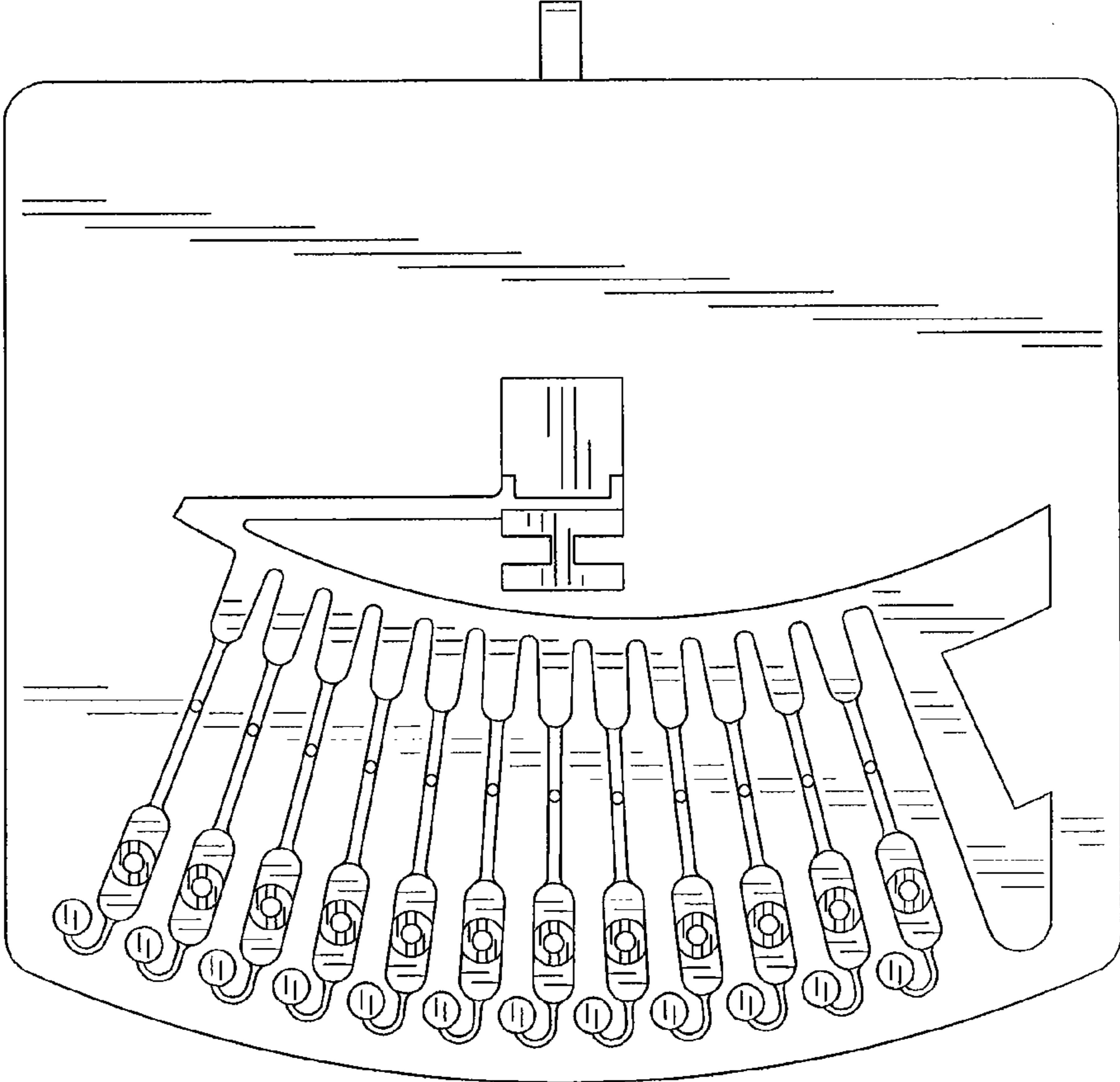


FIG. 11

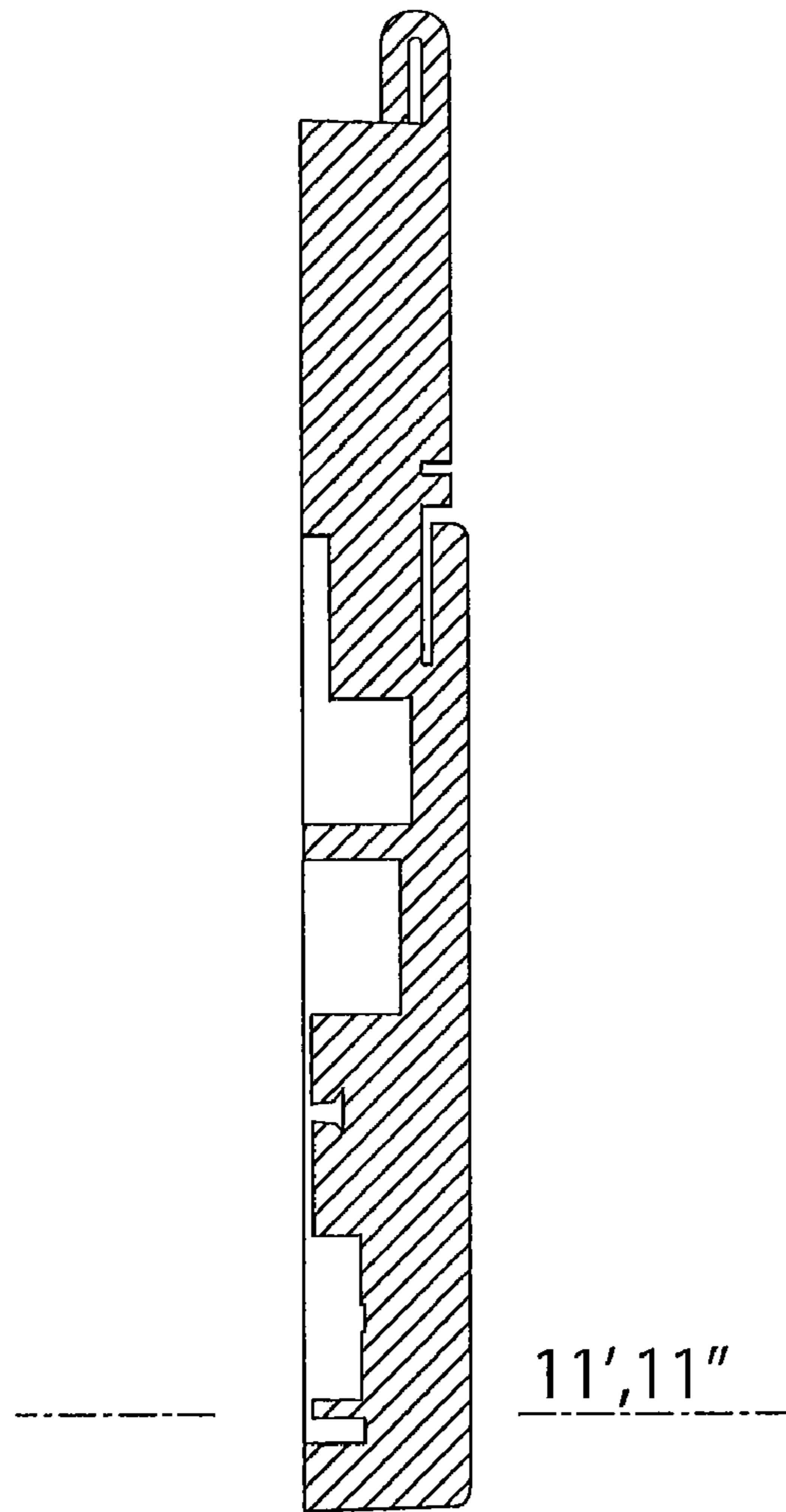


FIG. 12

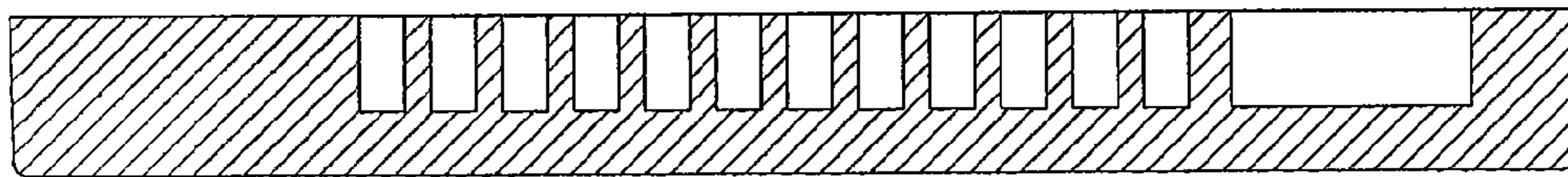


FIG. 13



FIG. 14

