



US00D676143S

(12) **United States Design Patent**
Liu et al.

(10) **Patent No.:** **US D676,143 S**
(45) **Date of Patent:** **** Feb. 12, 2013**

(54) **BIOCHEMICAL ANALYZER SYSTEM**

(75) Inventors: **Dongdong Liu**, Shenzhen (CN); **Lijuan He**, Shenzhen (CN); **Xiang Zhou**, Shenzhen (CN)

(73) Assignee: **Shenzhen Mindray Bio-Medical Electronics Co., Ltd.**, Shenzhen (CN)

(**) Term: **14 Years**

(21) Appl. No.: **29/429,140**

(22) Filed: **Aug. 7, 2012**

Related U.S. Application Data

(62) Division of application No. 29/367,366, filed on Aug. 6, 2010, now Pat. No. Des. 669,189.

(30) **Foreign Application Priority Data**

Feb. 10, 2010 (CN) 2010 3 0110147
Feb. 10, 2010 (CN) 2010 3 0110148

(51) **LOC (9) Cl.** **24-01**

(52) **U.S. Cl.** **D24/216**

(58) **Field of Classification Search** D24/216,
D24/217, 219, 223–226, 231, 232, 107, 169,
D24/186; D10/81; 422/500, 547, 62–65,
422/67; 435/287.1, 287.3; 436/43, 45, 47
See application file for complete search history.

(56) **References Cited**

U.S. PATENT DOCUMENTS

4,459,265 A * 7/1984 Berglund 422/64
D346,027 S * 4/1994 Kobayashi D24/186

D354,354 S * 1/1995 Yamashita et al. D24/186
D399,964 S * 10/1998 Katayama et al. D24/186
5,863,506 A * 1/1999 Farren 422/82.03
D406,901 S * 3/1999 Ditterline et al. D24/232
D474,416 S * 5/2003 Oonuma et al. D10/81
D560,131 S * 1/2008 Hu D10/81
D645,367 S * 9/2011 Hayashi et al. D10/81

* cited by examiner

Primary Examiner — Anhdao Doan

(74) *Attorney, Agent, or Firm* — Kory D. Christensen; Stoel Rives LLP

(57) **CLAIM**

The ornamental design for a biochemical analyzer system, as shown and described.

DESCRIPTION

FIG. 1 is a perspective view of a biochemical analyzer system showing our new design;

FIG. 2 is a front elevation view thereof;

FIG. 3 is a rear elevation view thereof;

FIG. 4 is a top plan view thereof;

FIG. 5 is a right side elevation view thereof;

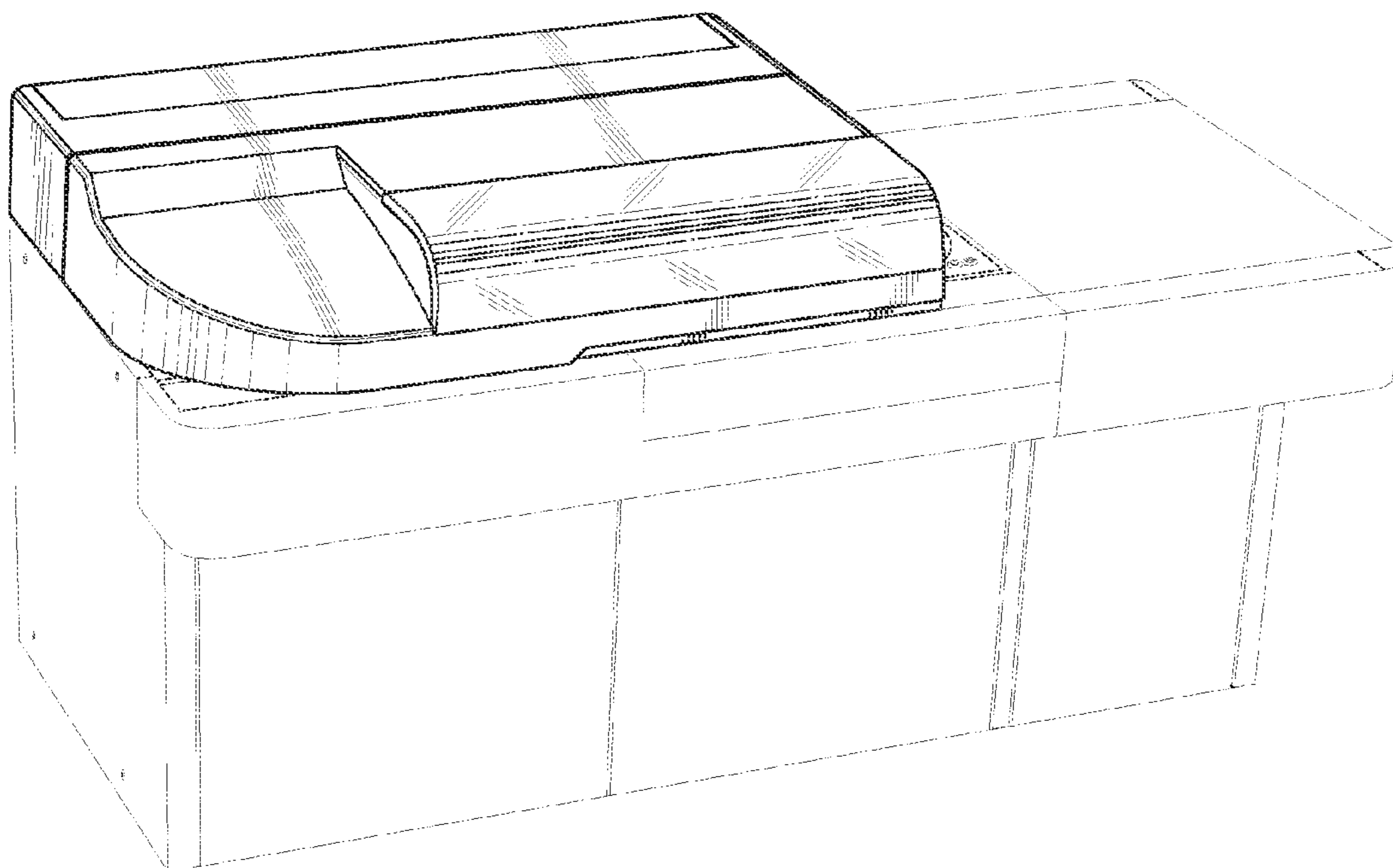
FIG. 6 is a left side elevation view thereof;

FIG. 7 is a front perspective view thereof in a first open state; and,

FIG. 8 is a rear perspective view thereof in a second open state.

The broken lines immediately adjacent the shaded areas represent the bounds of the claimed design, while all other broken lines are directed to environment and are for illustrative purposes only; the broken lines form no part of the claimed design.

1 Claim, 4 Drawing Sheets



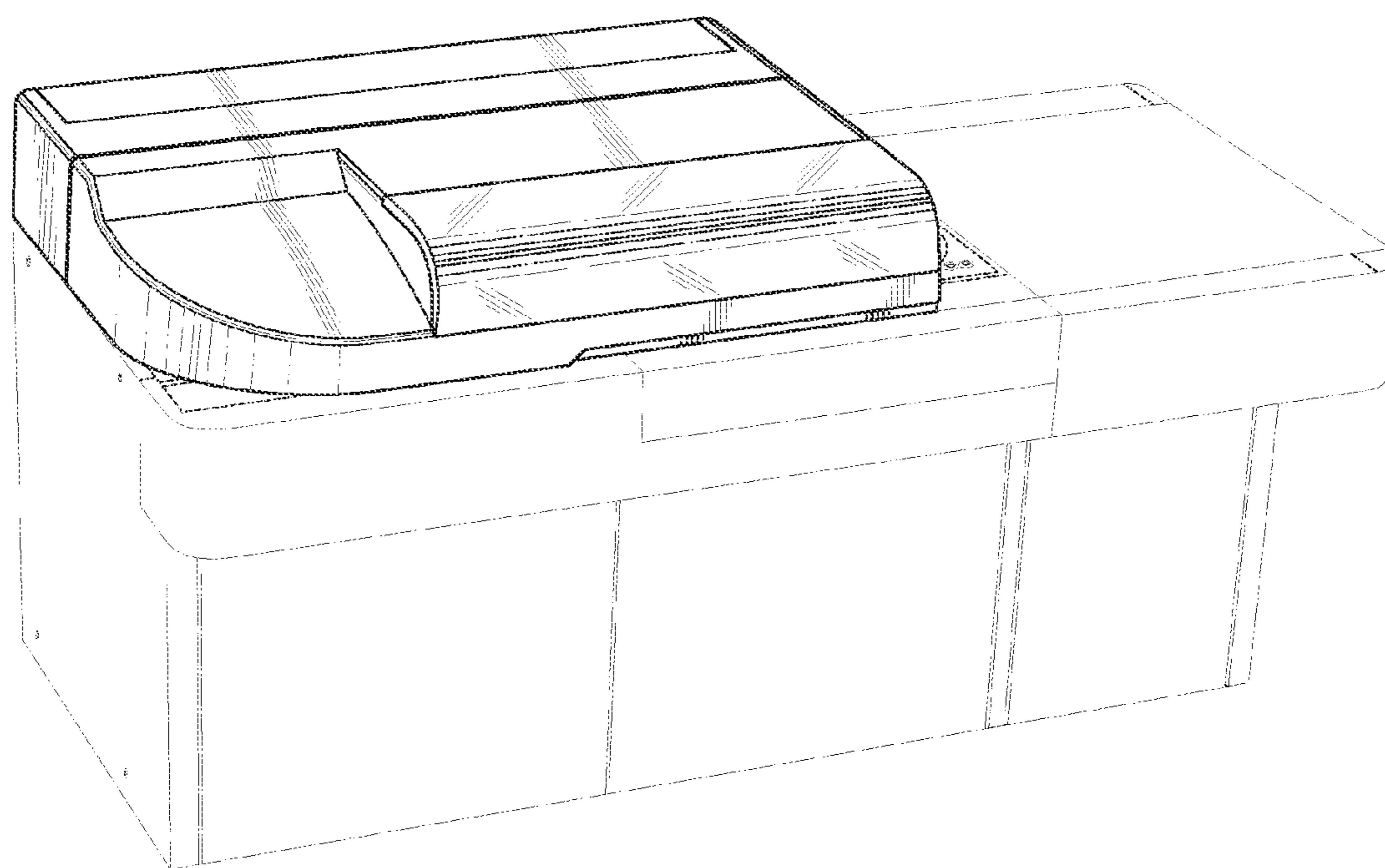


FIG. 1

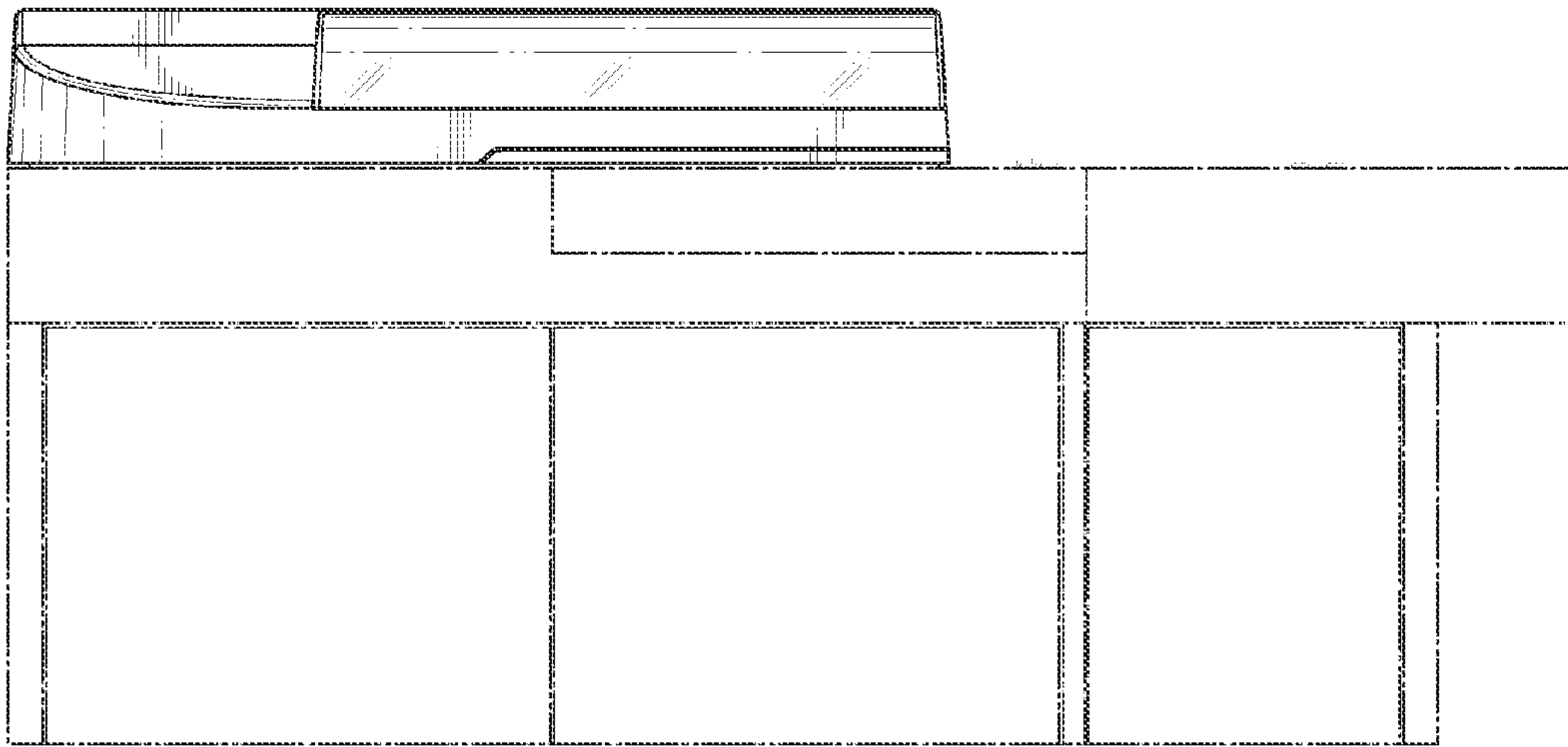


FIG. 2

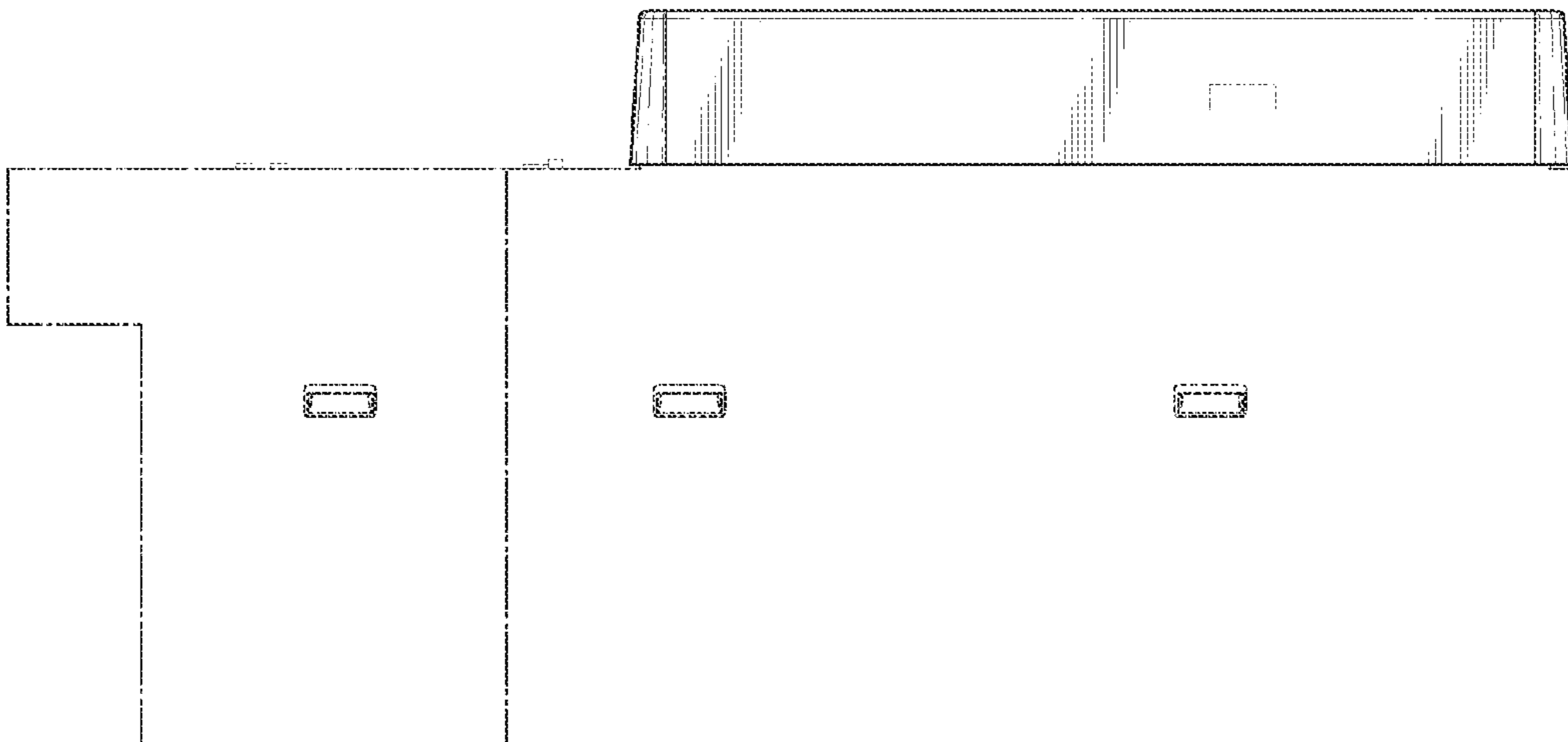


FIG. 3

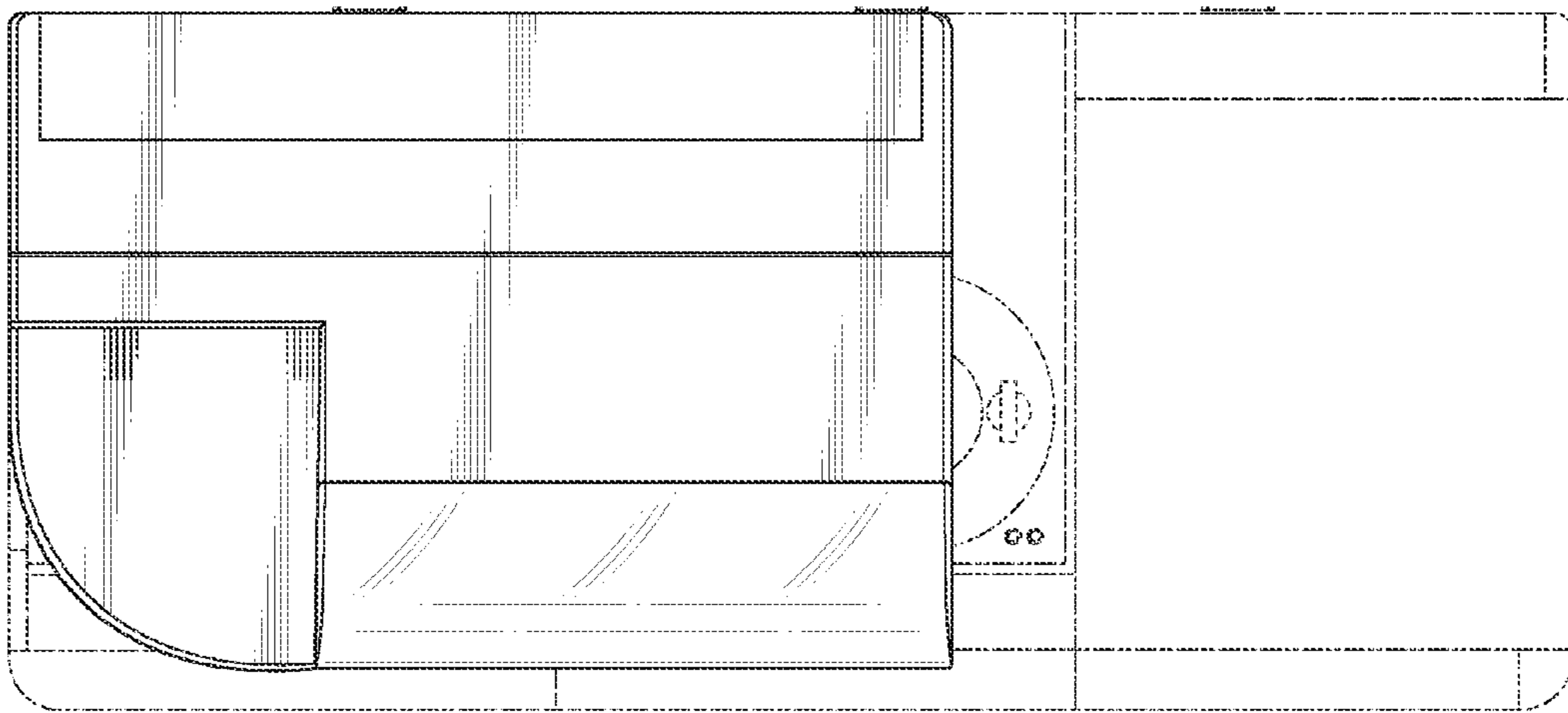


FIG. 4

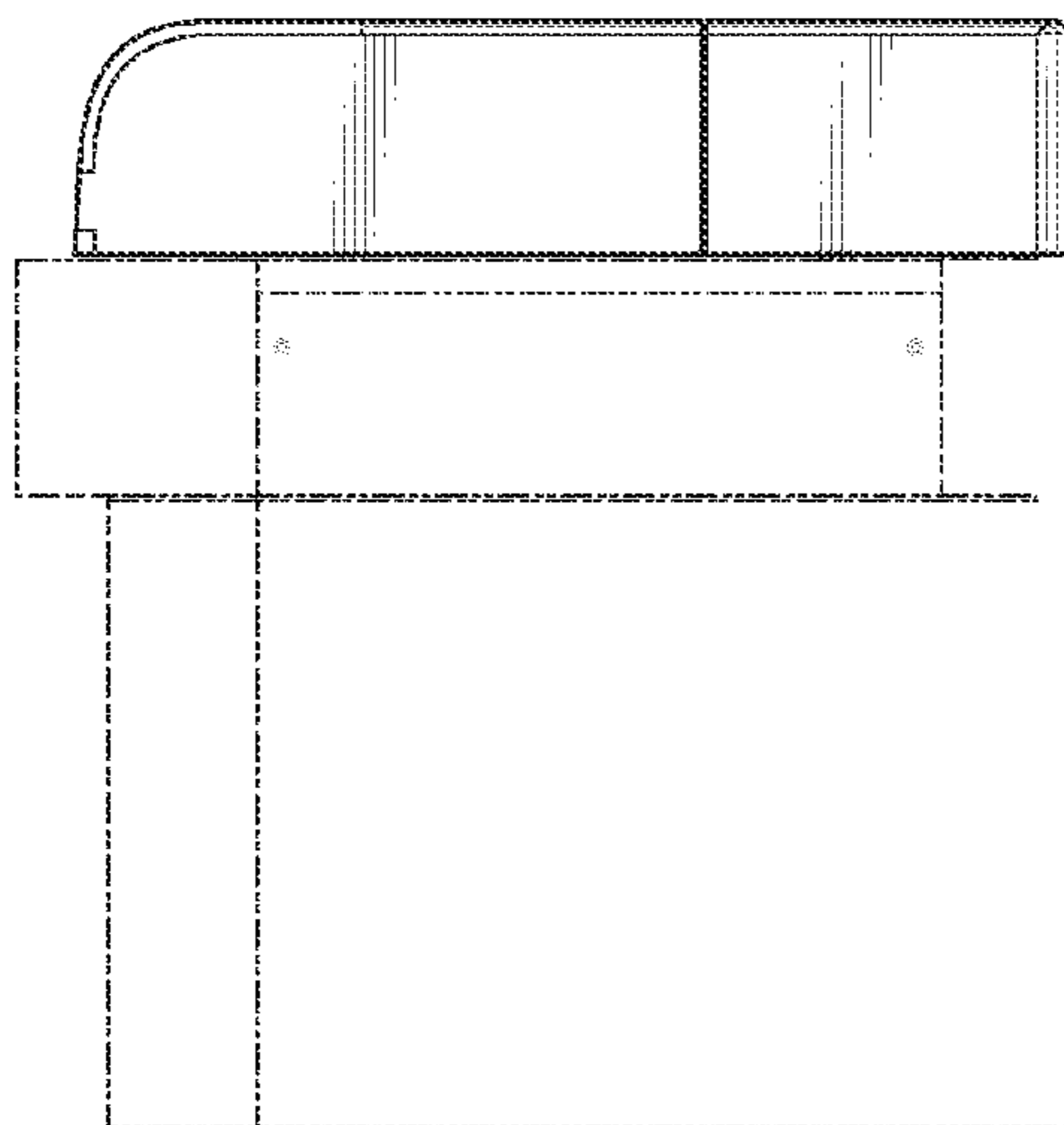


FIG. 5

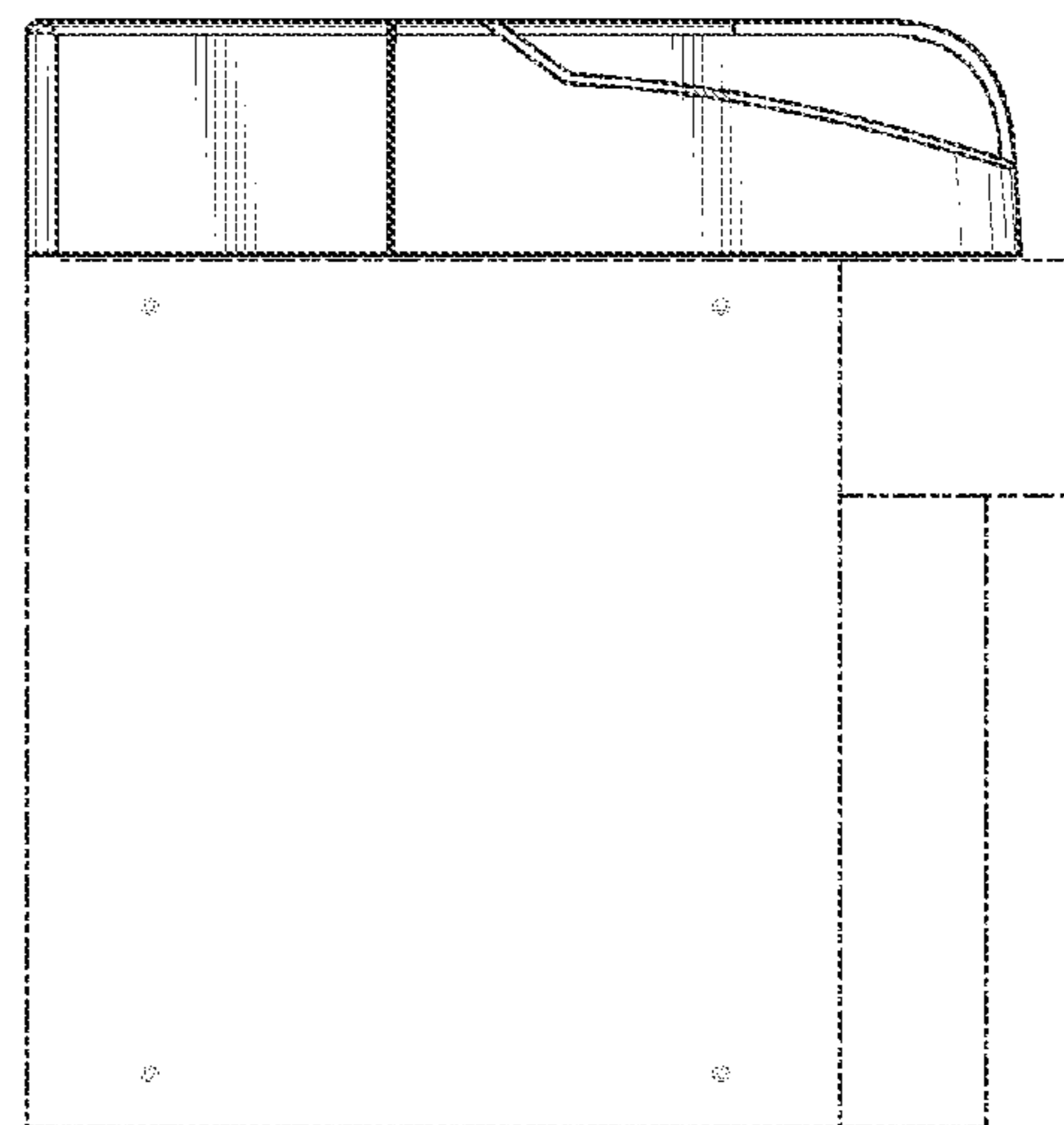


FIG. 6

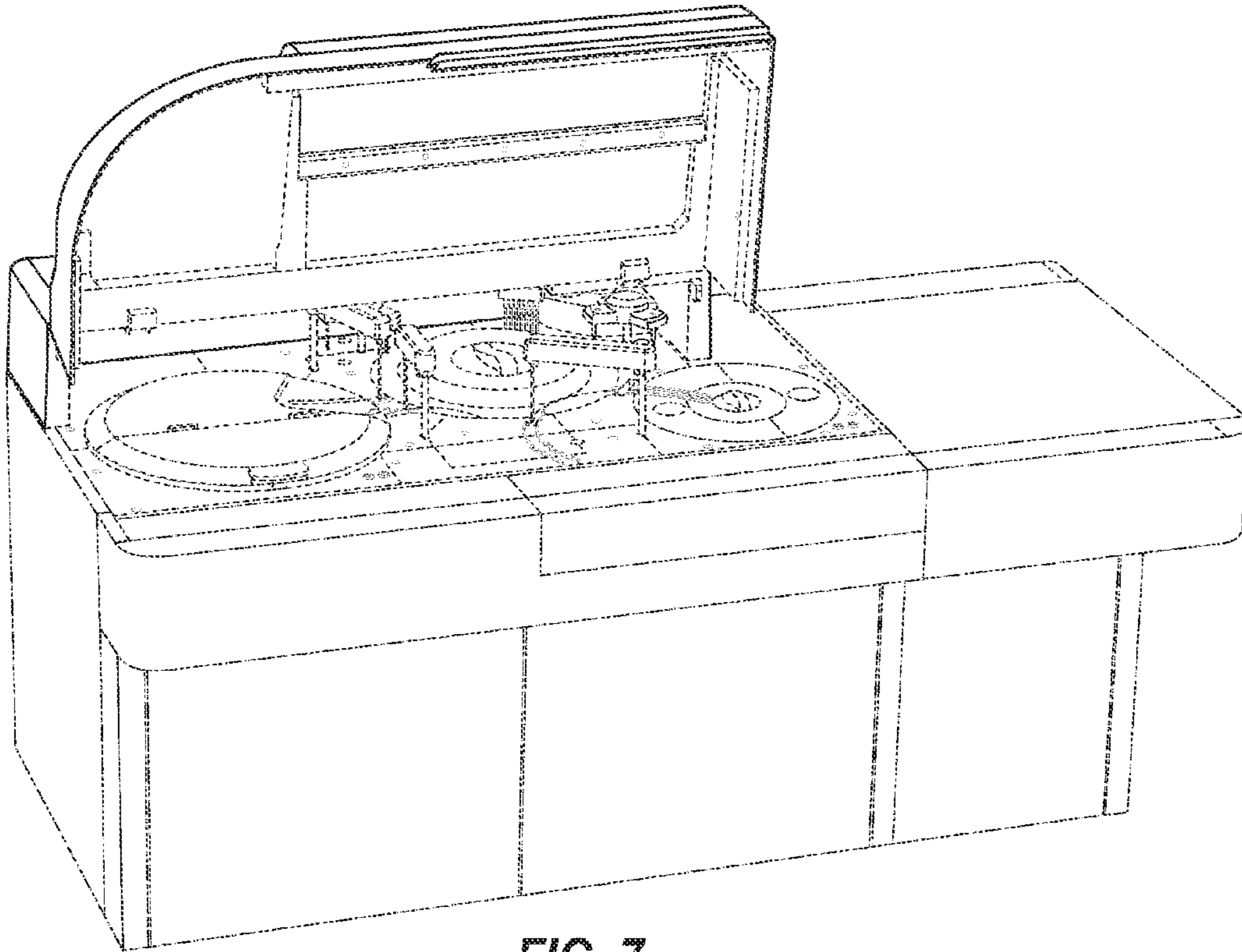


FIG. 7

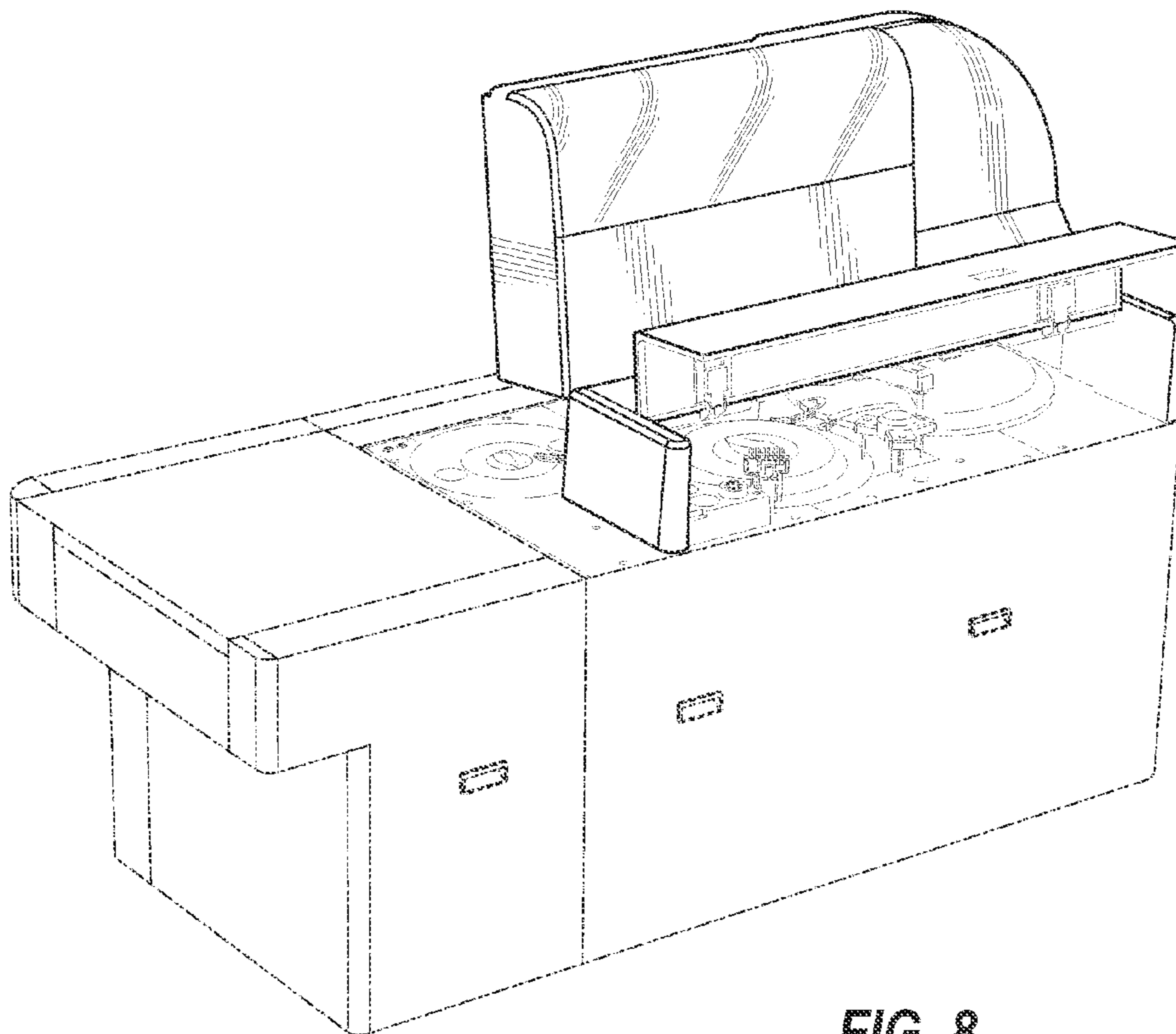


FIG. 8