



US00D676141S

(12) **United States Design Patent**
Wu

(10) **Patent No.:** **US D676,141 S**
(45) **Date of Patent:** **** Feb. 12, 2013**

(54) **MASSAGER**

(76) Inventor: **Dong-Her Wu**, Chang Hua Hsien (TW)

(**) Term: **14 Years**

(21) Appl. No.: **29/411,407**

(22) Filed: **Jan. 20, 2012**

(51) **LOC (9) Cl.** **28-03**

(52) **U.S. Cl.** **D24/215**

(58) **Field of Classification Search** D24/200,
D24/211–215, 141; 601/27, 28, 33, 40, 46,
601/47, 48, 63, 80, 99, 104, 112, 113, 114,
601/119, 122, 125, 129, 134, 135, 137, DIG. 12,
601/DIG. 13, DIG. 14, DIG. 15, DIG. 16,
601/DIG. 17

See application file for complete search history.

(56) **References Cited**

U.S. PATENT DOCUMENTS

D92,995	S	*	8/1934	Andis	D24/214
D205,747	S	*	9/1966	Myers	D24/214
3,542,941	A	*	11/1970	Menzel	174/562
D331,288	S	*	11/1992	Yuen	D24/214
D366,703	S	*	1/1996	Huen	D24/214
D531,733	S	*	11/2006	Burout et al.	D24/215
D576,285	S	*	9/2008	Kennedy	D24/209

D648,441	S	*	11/2011	Rivero	D24/200
D649,657	S	*	11/2011	Petersen et al.	D24/215
2010/0145242	A1	*	6/2010	Tsai	601/108

* cited by examiner

Primary Examiner — Sandra Snapp

(74) *Attorney, Agent, or Firm* — Jackson IPG PLLC

(57) **CLAIM**

I claim the ornamental design for a massager, as shown and described.

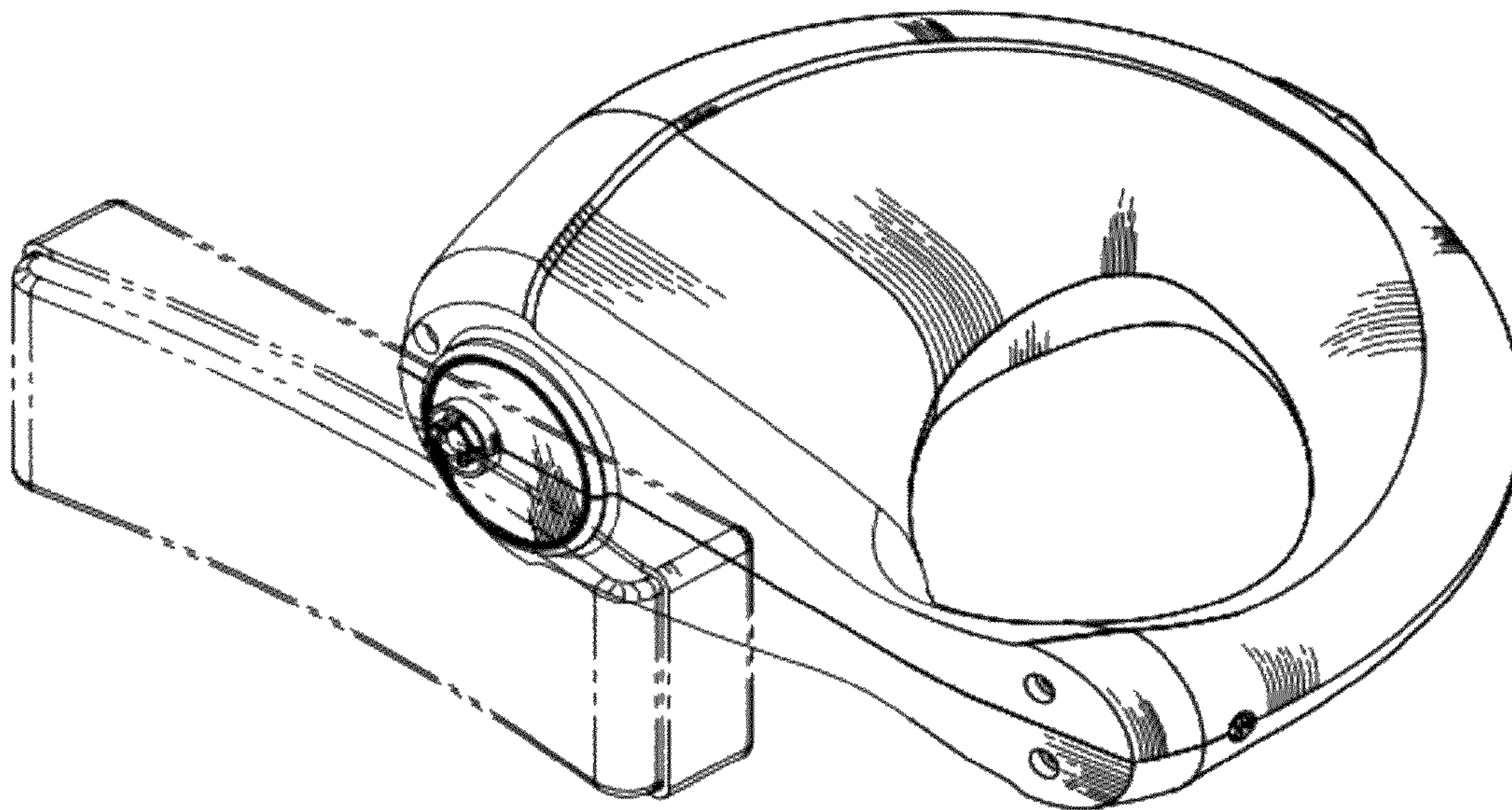
DESCRIPTION

FIG. 1 is a rear elevation view thereof.
FIG. 2 is a front elevation view thereof.
FIG. 3 is a left side view thereof.
FIG. 4 is a right side view thereof.
FIG. 5 is a top plan view thereof.
FIG. 6 is a bottom plan view thereof; and,
FIG. 7 is a perspective view of a massager showing my new design.

FIG. 8 shows the present invention in condition of use; and,
FIG. 9 shows the present invention in another condition of use.

The broken line showing of environmental structure is for illustrative purposes only and forms no part of the claimed design.

1 Claim, 6 Drawing Sheets



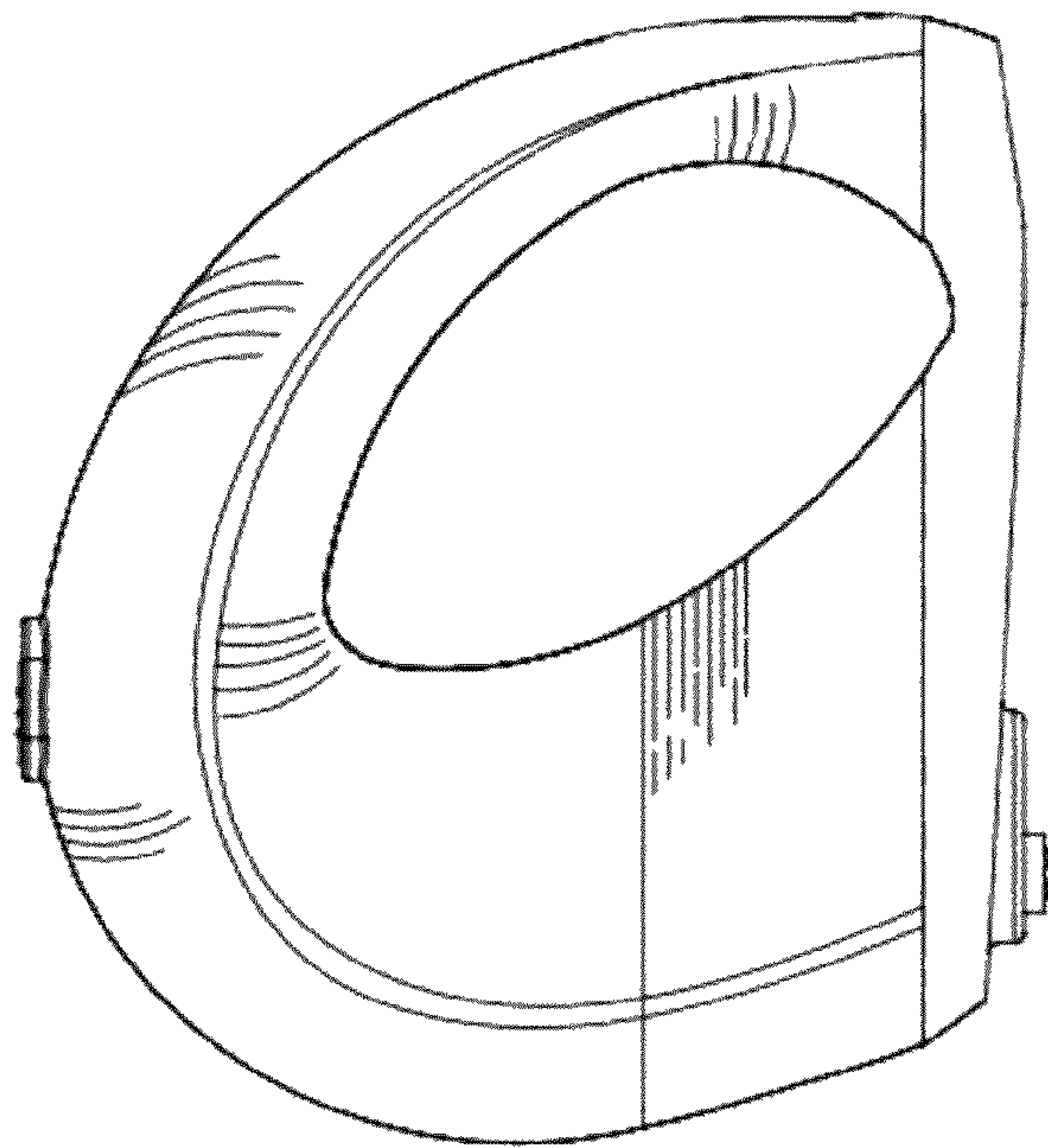


Fig. 2

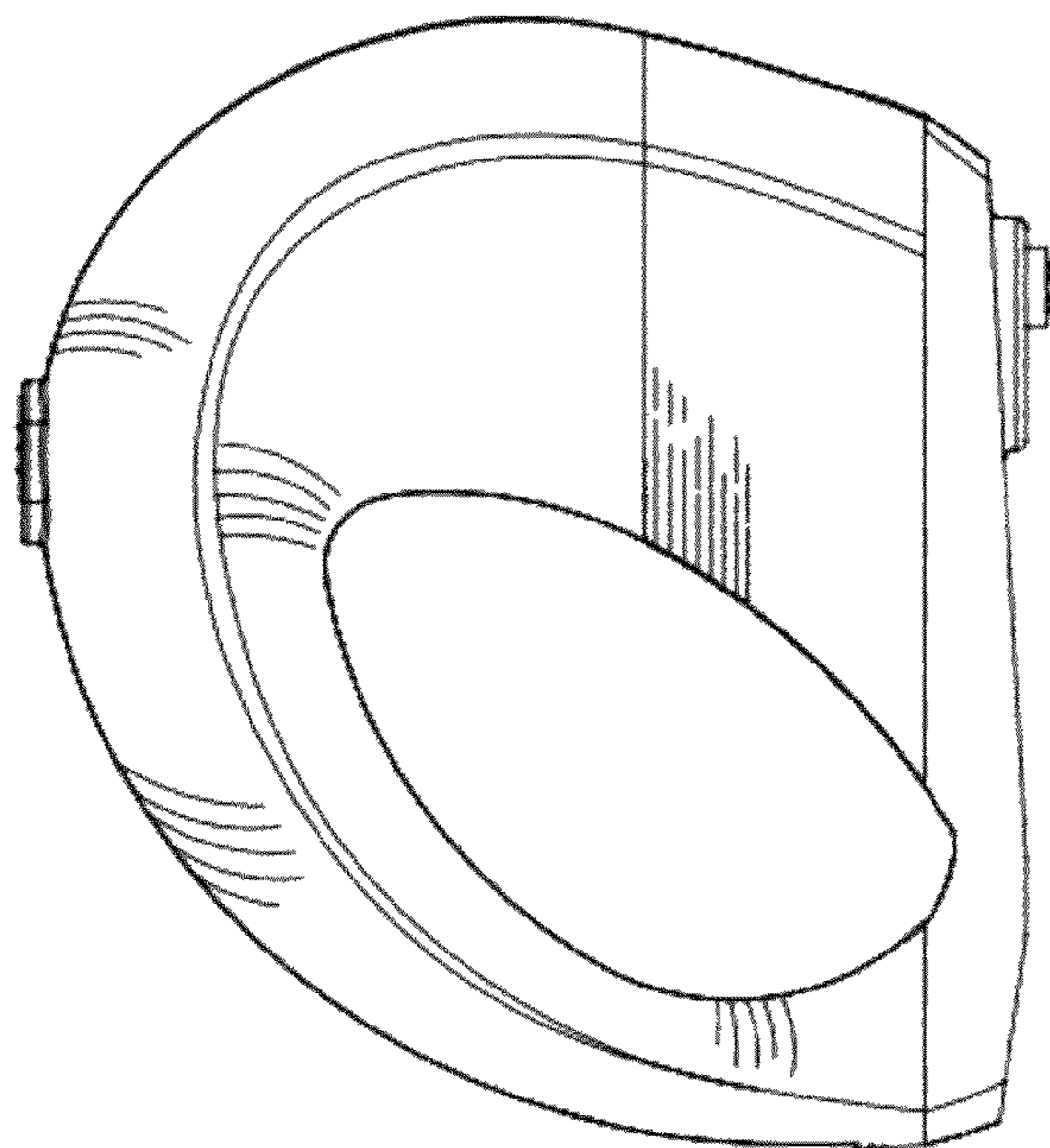


Fig. 1

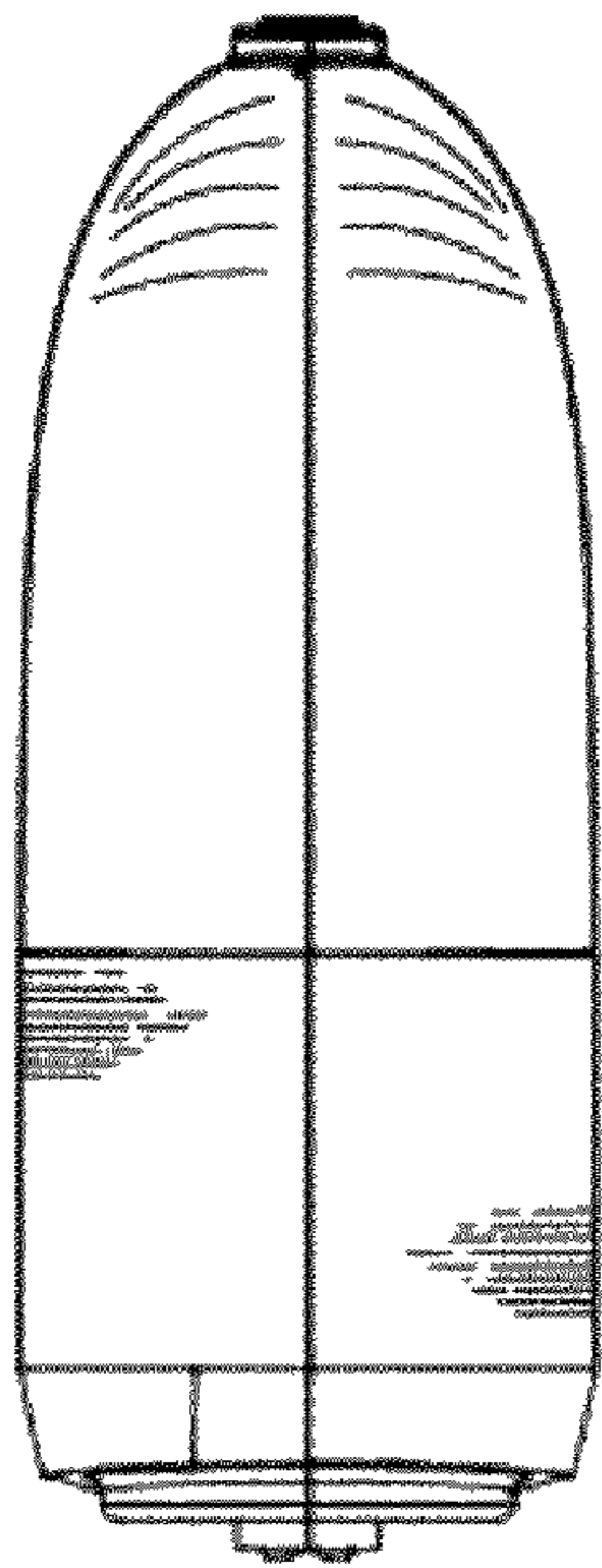


Fig. 3

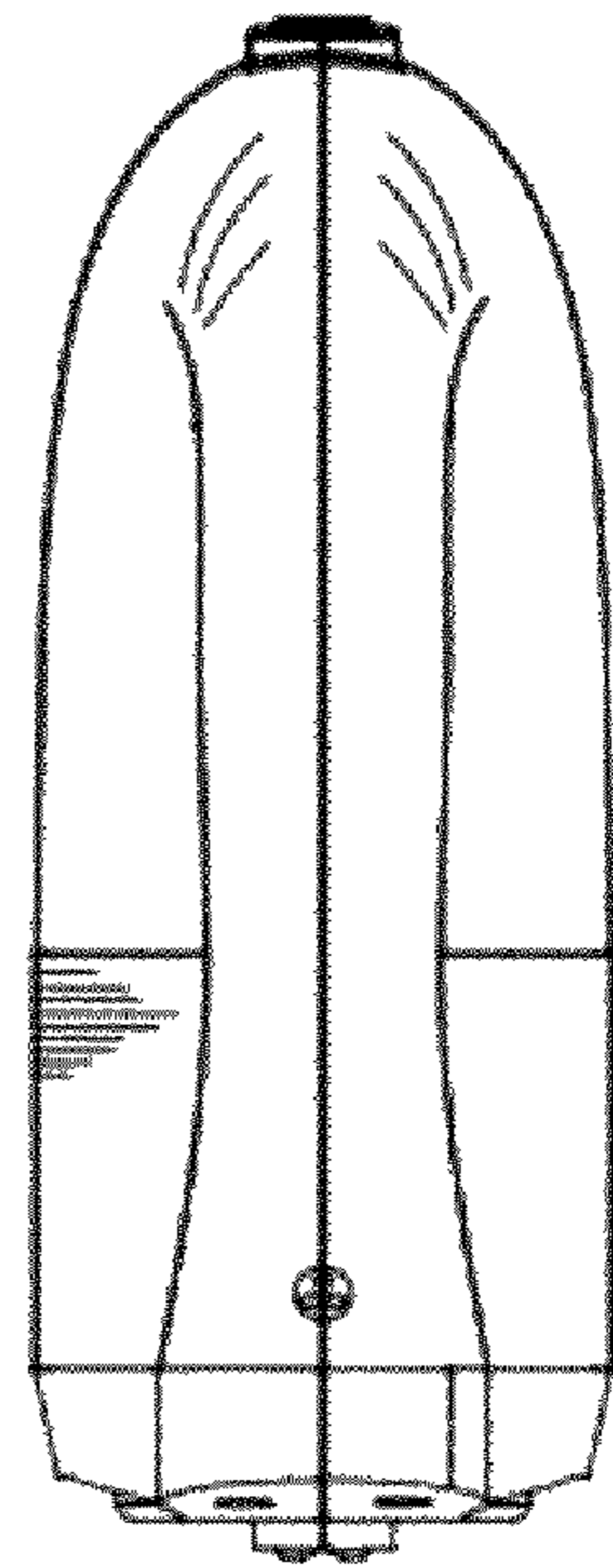


Fig. 4

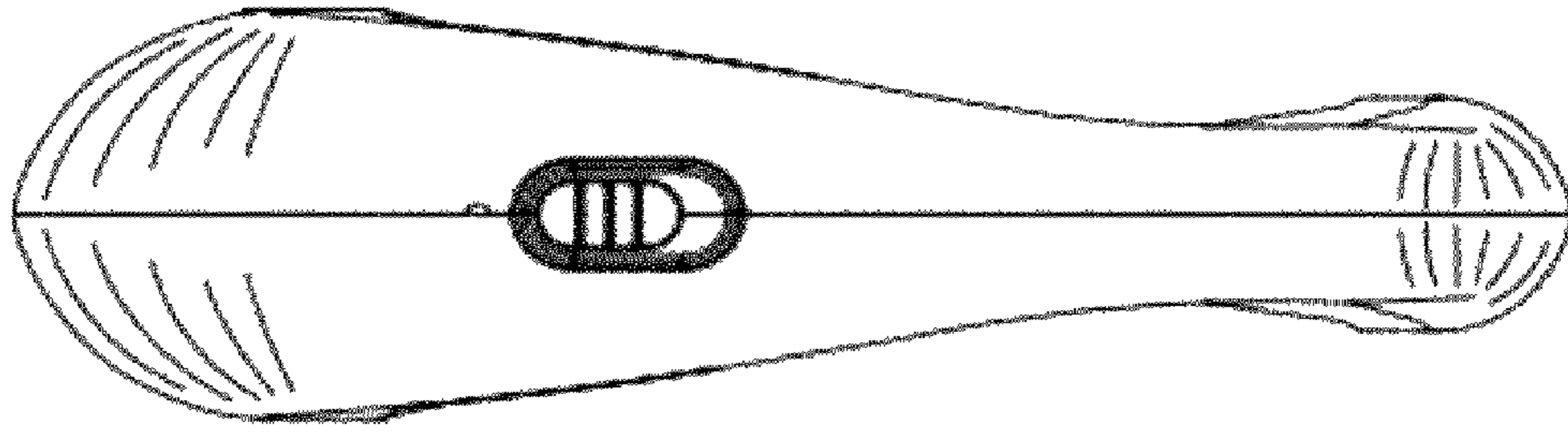


Fig. 5

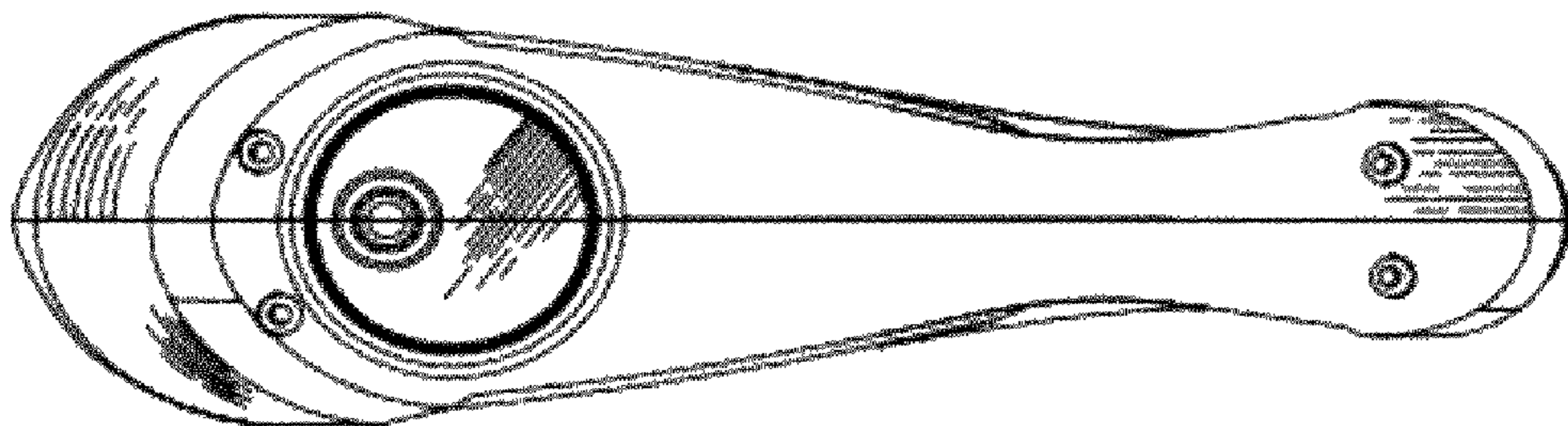


Fig. 6

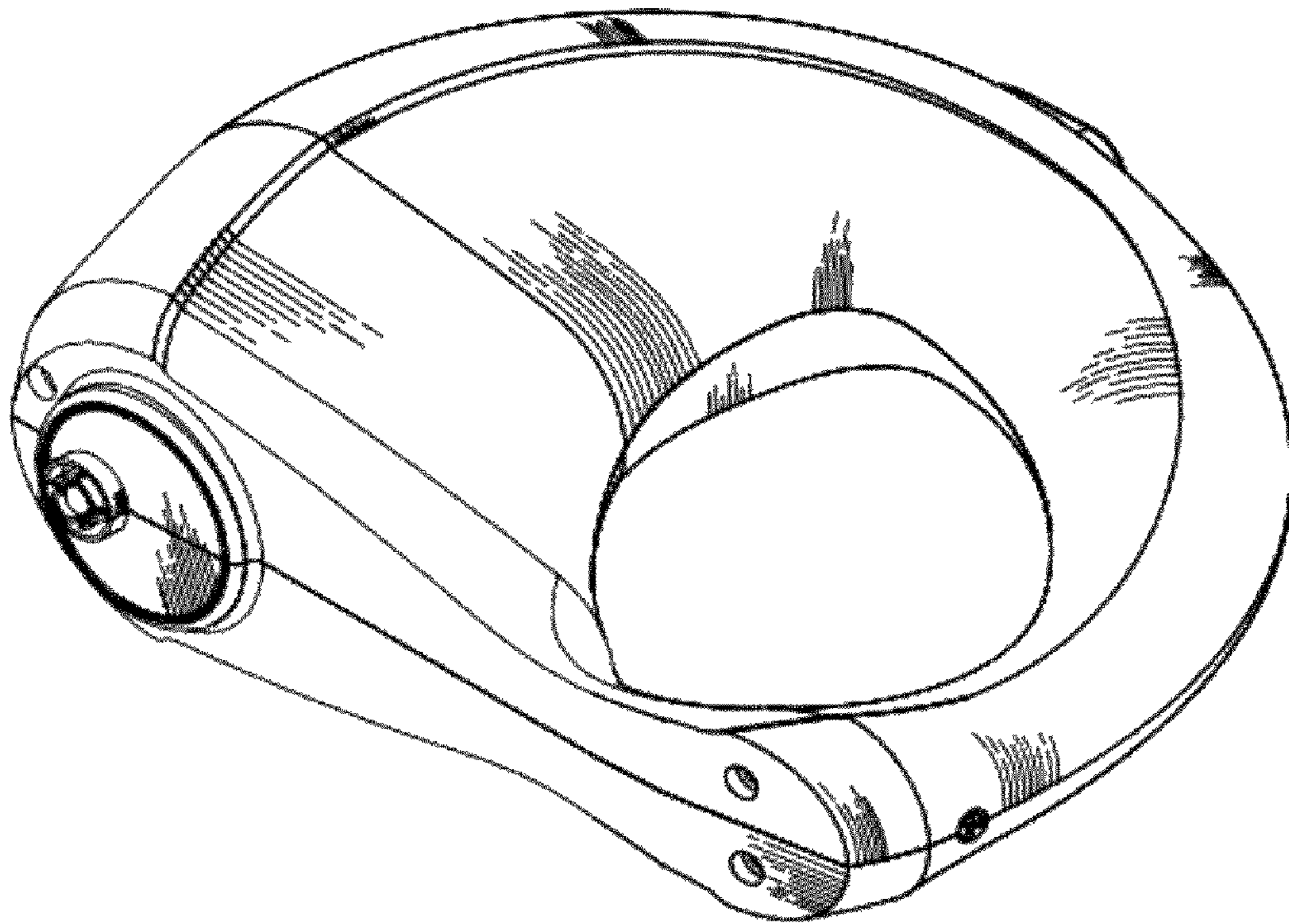


Fig. 7

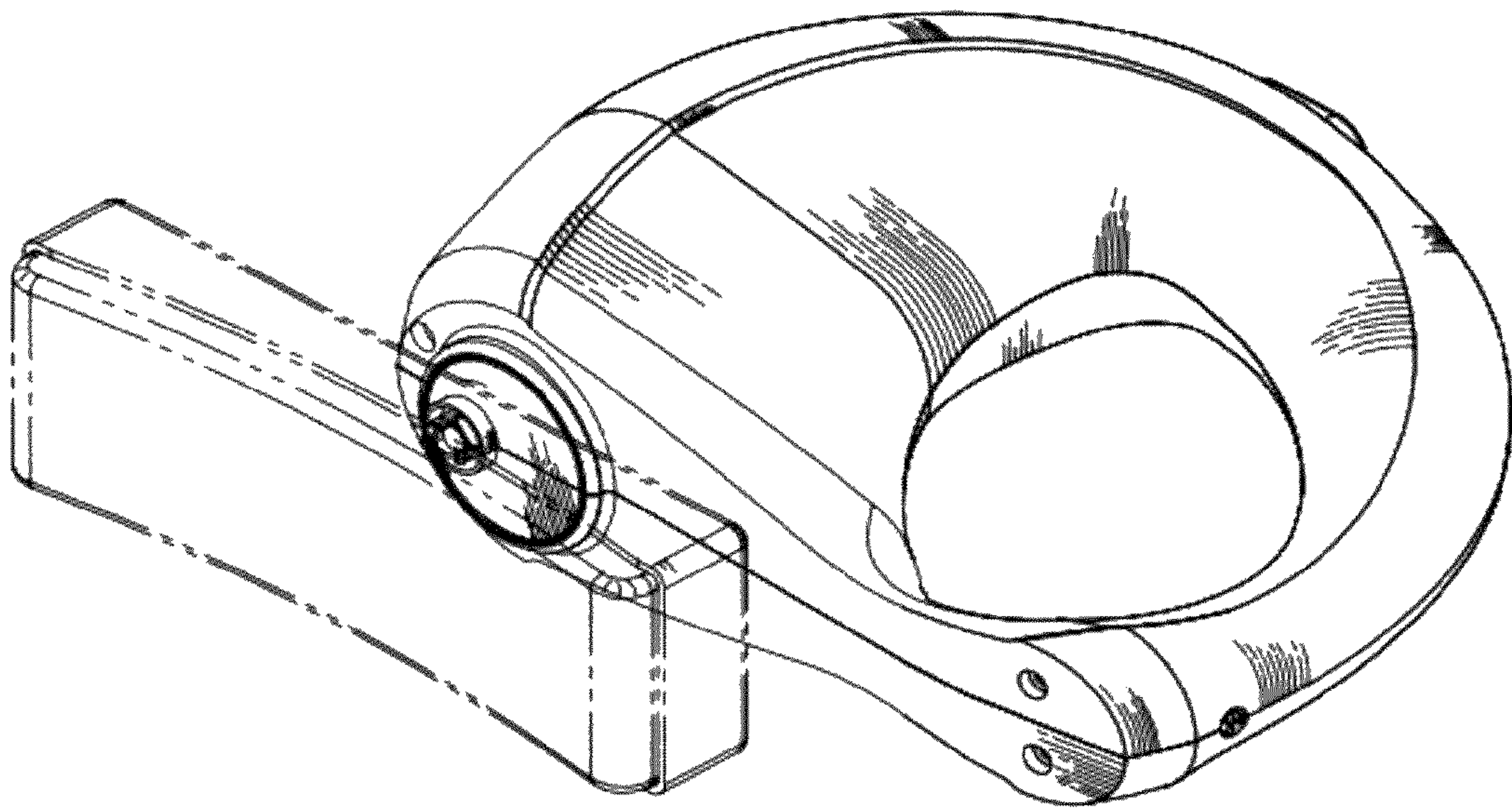


Fig. 8

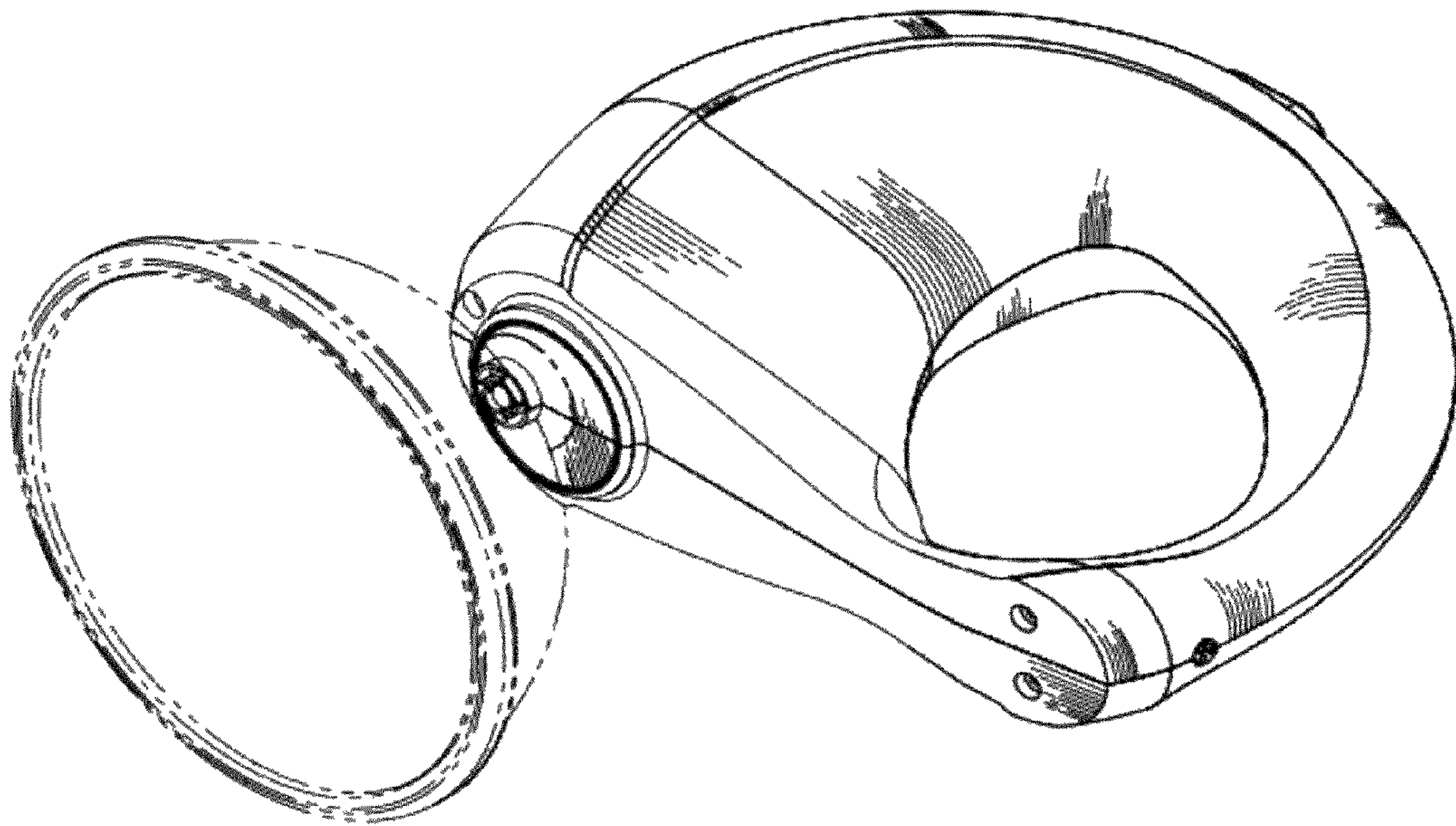


Fig. 9