



US00D676135S

(12) **United States Design Patent**  
**Massad**

(10) **Patent No.:** **US D676,135 S**  
(45) **Date of Patent:** **\*\* Feb. 12, 2013**

(54) **PIN RECEIVER PLATE FOR A JAW  
RELATION RECORDING DEVICE**

(76) Inventor: **Joseph J. Massad**, Tulsa, OK (US)

(\*\*) Term: **14 Years**

(21) Appl. No.: **29/382,848**

(22) Filed: **Jan. 7, 2011**

5,989,023	A	11/1999	Summer et al.	
6,106,285	A	8/2000	Kwak	
6,152,730	A	11/2000	Wildman	
7,721,741	B2 *	5/2010	Thornton	433/37
D630,754	S *	1/2011	Massad	D24/181
D630,755	S *	1/2011	Massad	D24/181
7,955,077	B2 *	6/2011	Shindo et al.	433/68
D647,206	S *	10/2011	Massad	D24/181
8,070,489	B2 *	12/2011	Massad	433/71
2005/0112523	A1	5/2005	Massad	
2006/0172254	A1	8/2006	Shindo et al.	
2007/0231774	A1 *	10/2007	Massad	433/213

**Related U.S. Application Data**

(63) Continuation-in-part of application No. 11/754,009, filed on May 25, 2007, now abandoned, which is a continuation-in-part of application No. 11/247,840, filed on Oct. 11, 2005, now abandoned.

(51) **LOC (9) Cl.** ..... **24-02**

(52) **U.S. Cl.** ..... **D24/181**

(58) **Field of Classification Search** ..... D24/152,  
D24/176, 180-181; 433/68-69, 71, 213-214  
See application file for complete search history.

(56) **References Cited**

**U.S. PATENT DOCUMENTS**

1,976,153	A *	10/1934	Voigt	D24/181
2,183,512	A	12/1939	Brenner	
2,245,288	A	6/1941	Moylan	
2,255,267	A *	9/1941	Moran	433/69
2,389,063	A	11/1945	Lang	
2,481,203	A	9/1949	Nicole	
2,562,106	A	7/1951	Leathers	
2,863,216	A	12/1958	Lichtman et al.	
3,813,780	A	6/1974	Dragan	
4,055,896	A	11/1977	Corbett	
4,286,947	A	9/1981	Daiberl	
4,304,551	A	12/1981	Kawasaki	
4,522,591	A	6/1985	Braun et al.	
4,964,769	A	10/1990	Hass	
4,981,437	A	1/1991	Wilcox	
5,007,830	A	4/1991	Joffe	
5,186,624	A	2/1993	Gottleben	
5,188,529	A	2/1993	Luth	
5,336,087	A	8/1994	Vogel et al.	
5,722,828	A	3/1998	Halstrom	
5,971,756	A	10/1999	Fjelstad	

**FOREIGN PATENT DOCUMENTS**

EP 0950384 10/1999

**OTHER PUBLICATIONS**

Massad, JJ, Connelly ME, Rudd KD, and Cagna DR: Occlusal Device for Diagnostic Evaluation of Maxillomandibular Relationships in Edentulous Patients: A Clinical Technique. Journal of Prosthetic Dentistry 91:586-590, 2004.

\* cited by examiner

*Primary Examiner* — Wan Laymon

(74) *Attorney, Agent, or Firm* — Head, Johnson & Kachigian, P.C.

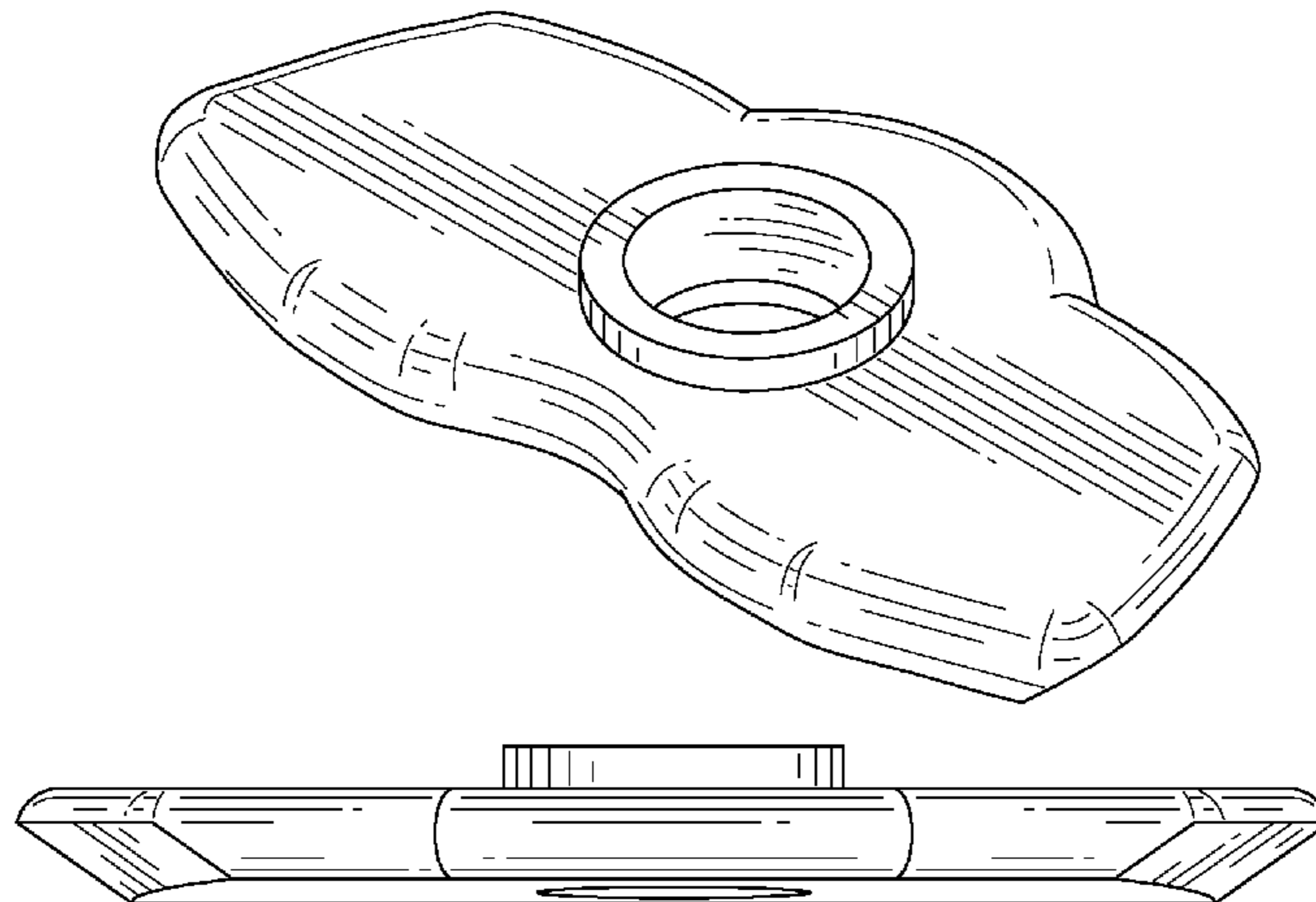
(57) **CLAIM**

The ornamental design for a pin receiver plate for a jaw relation recording device, as shown and described.

**DESCRIPTION**

FIG. 1 is a top perspective view a pin receiver plate for a jaw relation recording device showing my new design;  
FIG. 2 is a top view of FIG. 1;  
FIG. 3 is a bottom view of FIG. 1;  
FIG. 4 is a front view of FIG. 1;  
FIG. 5 is a rear view of FIG. 1;  
FIG. 6 is a side view of FIG. 1; and,  
FIG. 7 is a cross-sectional view along line 7-7 of the pin receiver plate for a jaw relation recording device shown in FIG. 2.

**1 Claim, 3 Drawing Sheets**



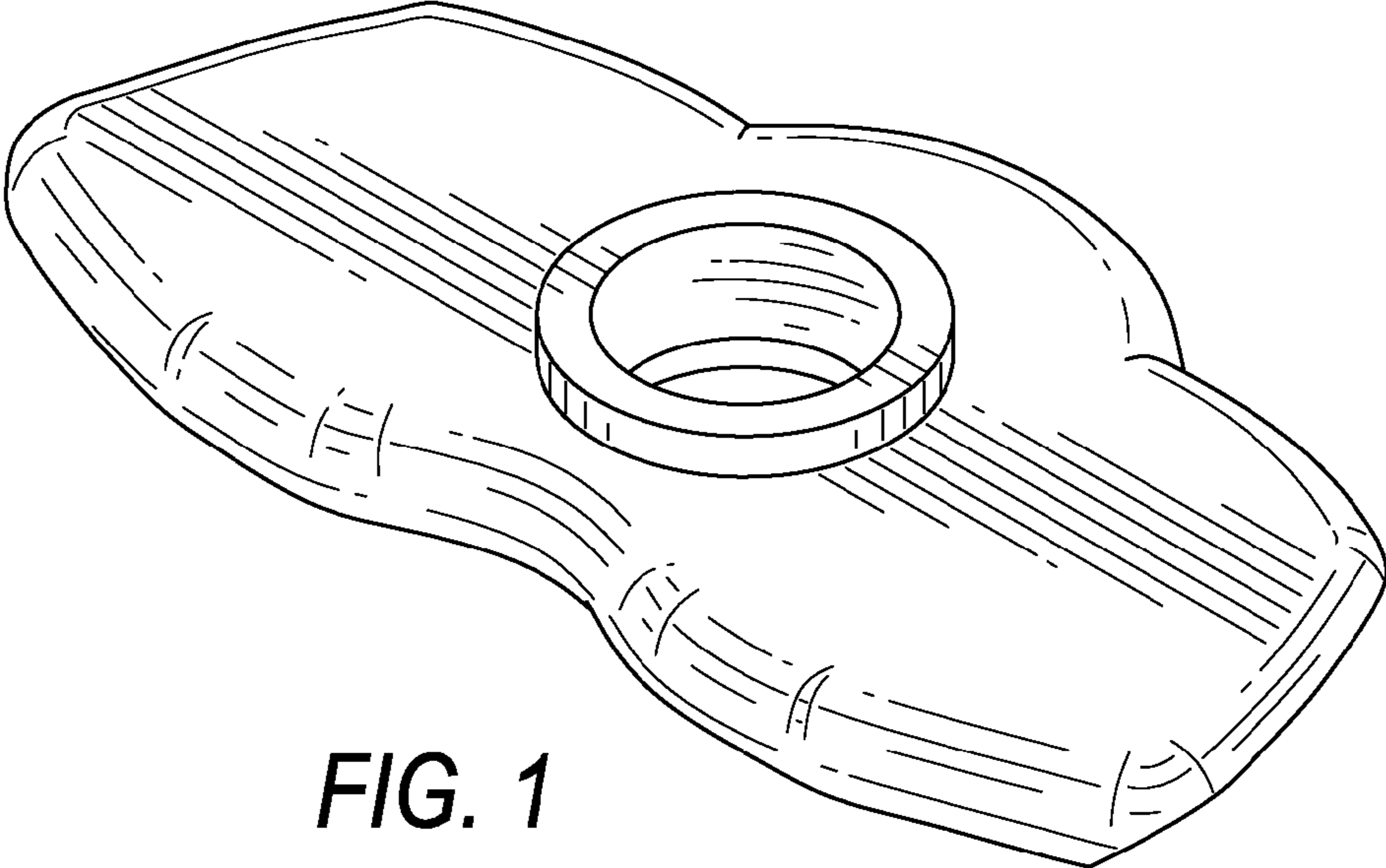


FIG. 1

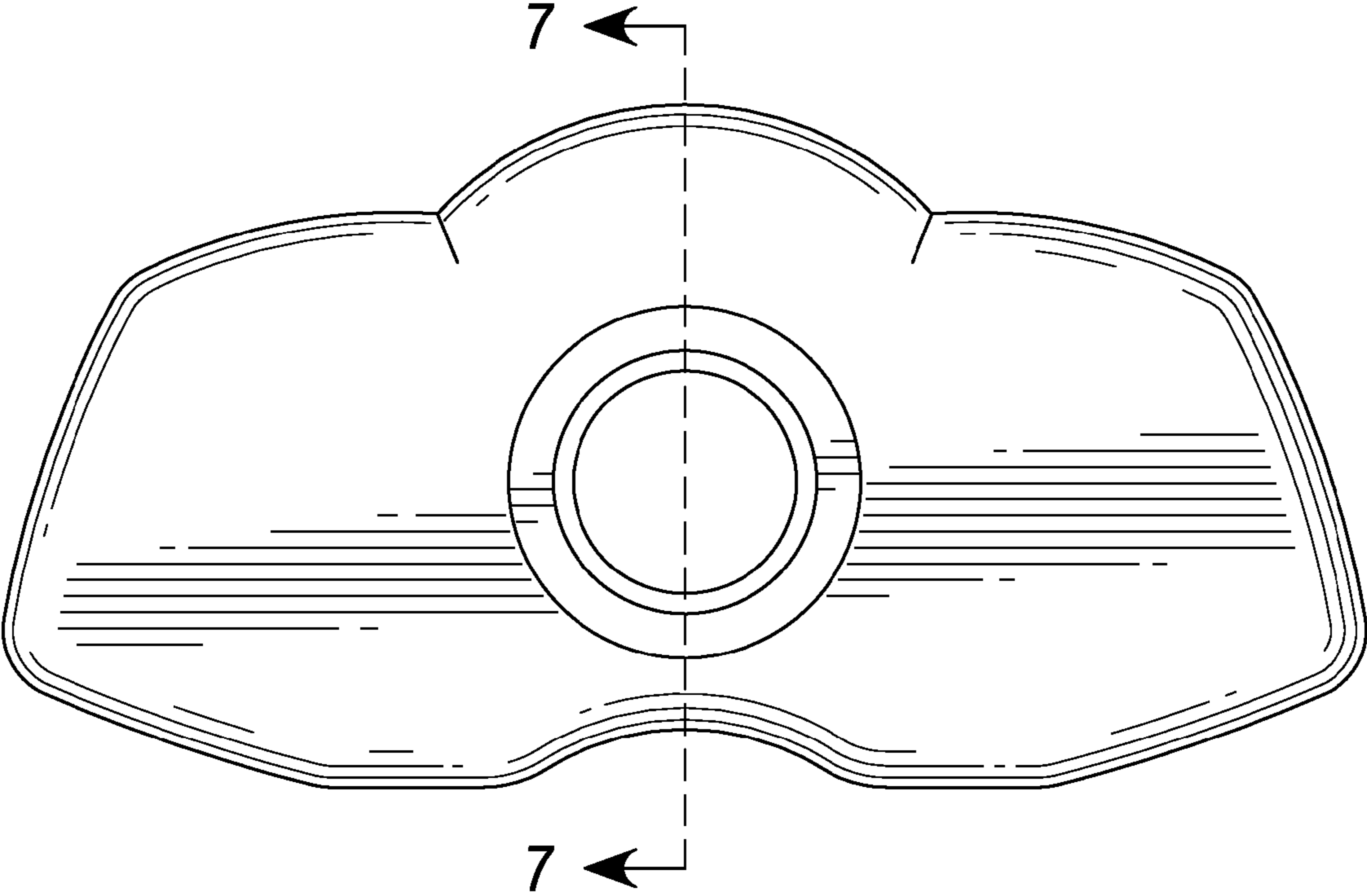
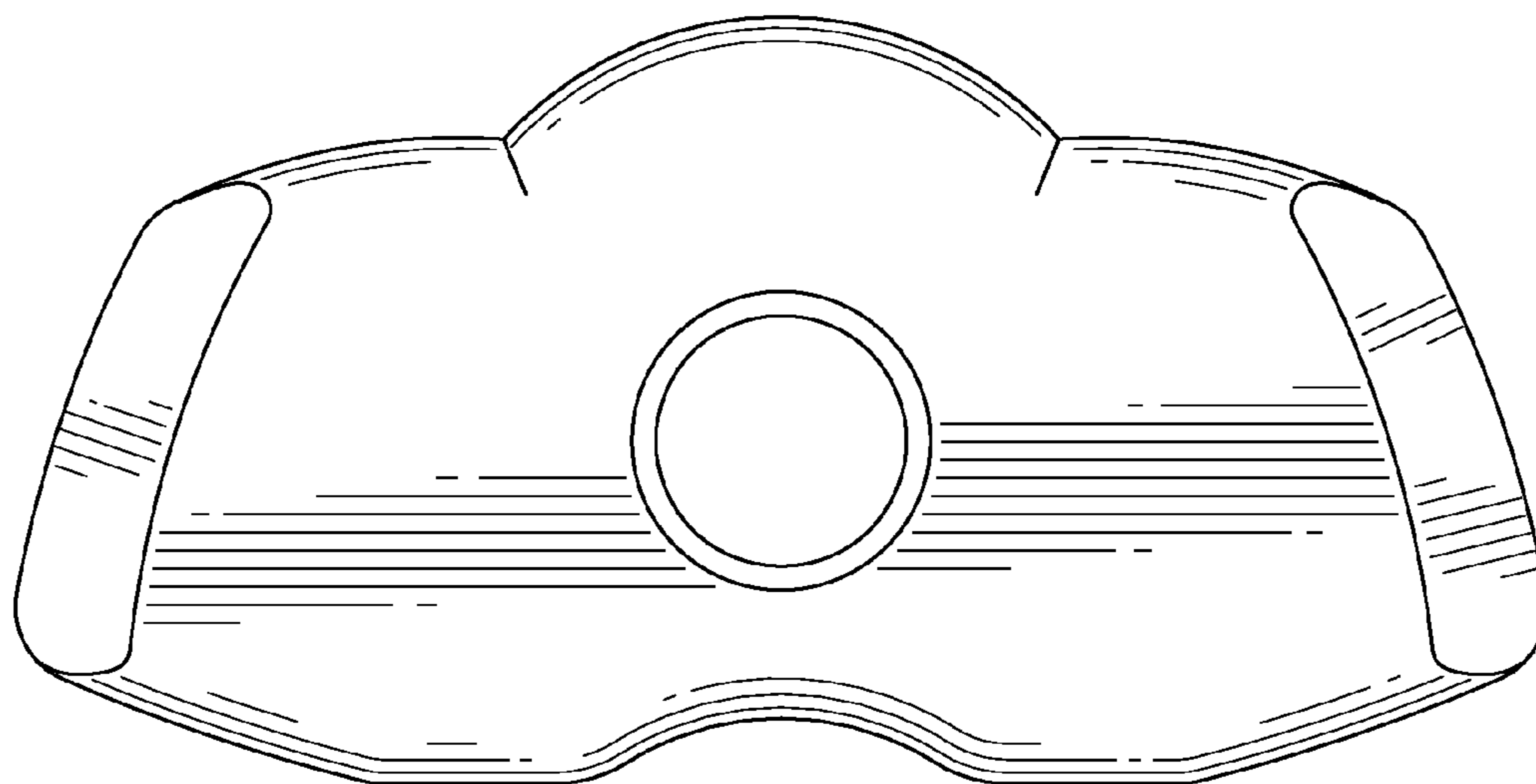
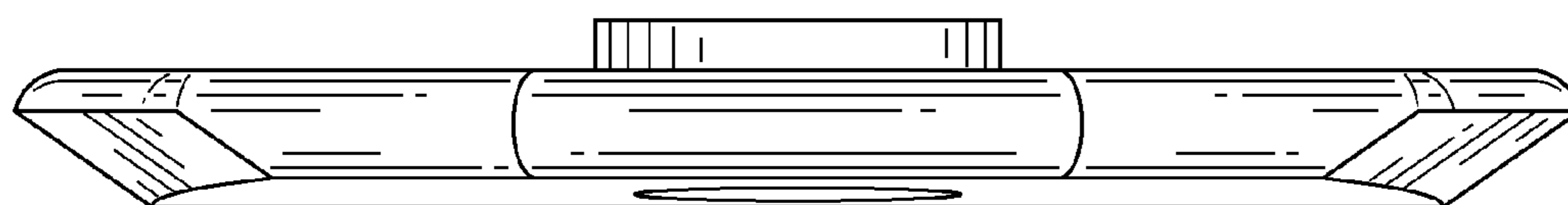


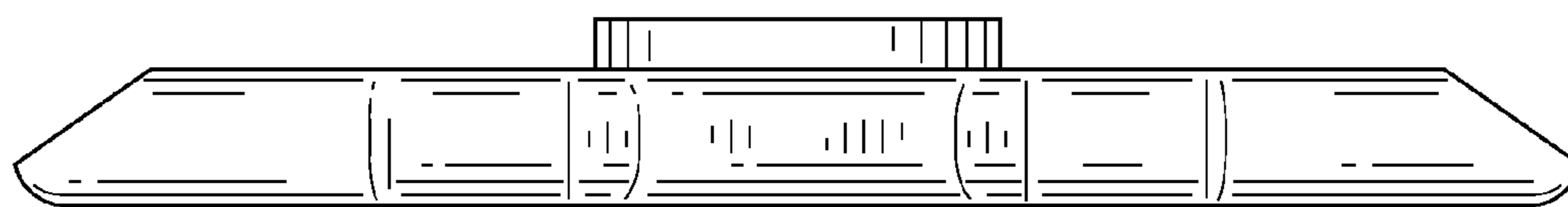
FIG. 2



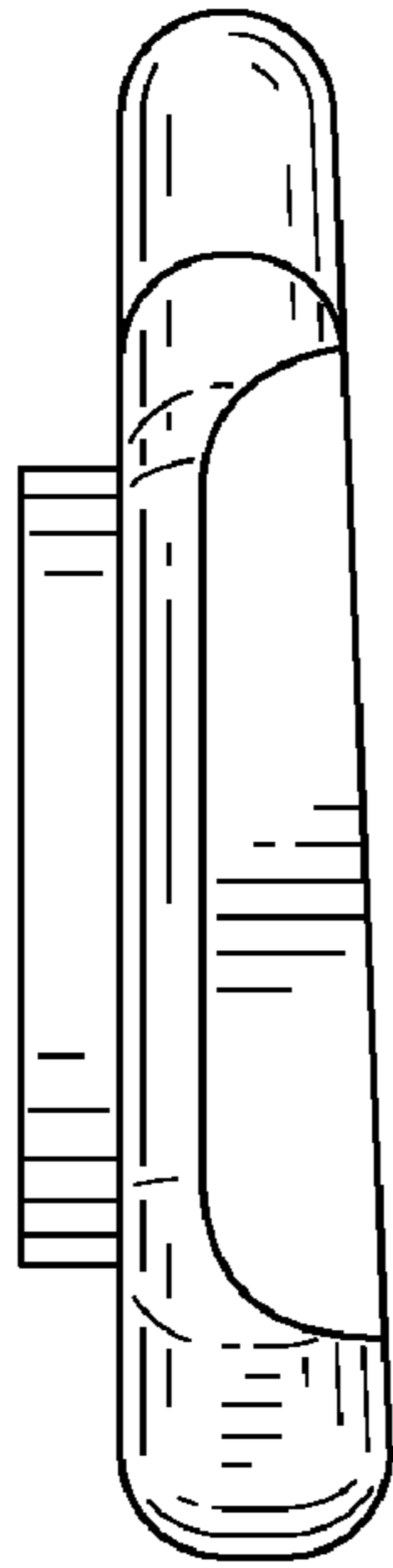
*FIG. 3*



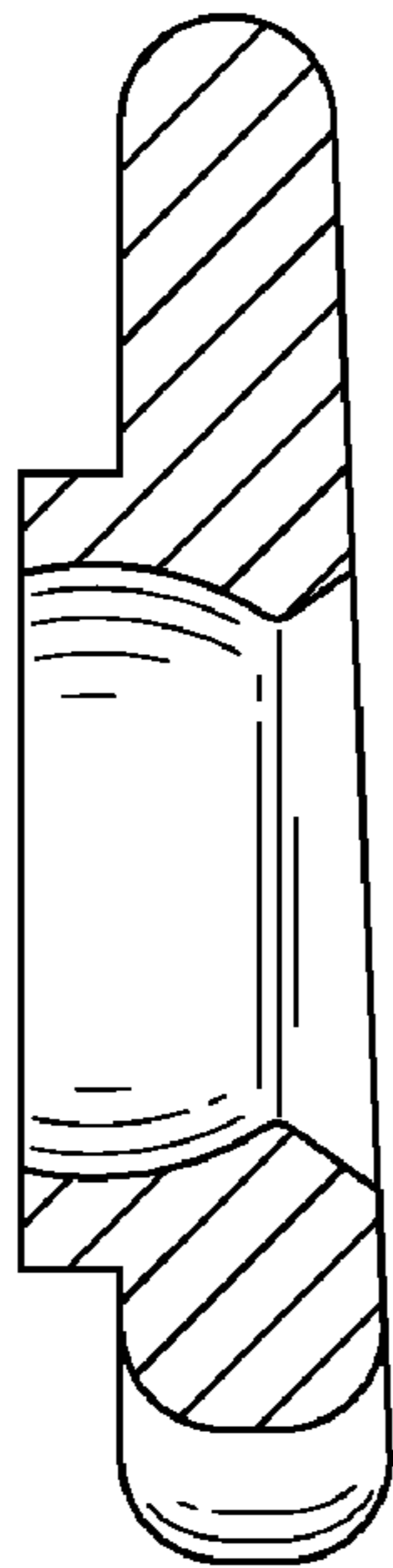
*FIG. 4*



*FIG. 5*



**FIG. 6**



**FIG. 7**