

US00D676134S

(12) **United States Design Patent**
Sævareid et al.

(10) **Patent No.:** **US D676,134 S**

(45) **Date of Patent:** **** Feb. 12, 2013**

(54) **CONTROL PAD**

(75) Inventors: **Harald Sævareid**, Stavanger (NO);
Mathias Molden, Stavanger (NO)

(73) Assignee: **Laerdal Medical AS**, Stavanger (NO)

(**) Term: **14 Years**

(21) Appl. No.: **29/402,050**

(22) Filed: **Sep. 20, 2011**

(30) **Foreign Application Priority Data**

Apr. 1, 2011 (EM) I 598984801

(51) **LOC (9) Cl.** **24-01**

(52) **U.S. Cl.** **D24/167**

(58) **Field of Classification Search** D24/165–168,
D24/107, 186, 187; D10/46, 78, 98; 600/301,
600/382, 384, 481, 483, 485, 500–504, 508,
600/509, 587; D14/138 R, 341

See application file for complete search history.

(56) **References Cited**

U.S. PATENT DOCUMENTS

D324,570 S * 3/1992 Arioka et al. D24/165
D429,336 S * 8/2000 Francis et al. D24/167
D437,058 S * 1/2001 Gozani D24/186
D484,497 S * 12/2003 Alviar et al. D14/240
D526,063 S * 8/2006 Widener et al. D24/186

D582,043 S * 12/2008 Koike et al. D24/165
D598,113 S * 8/2009 Flaction et al. D24/187
D606,659 S * 12/2009 Kiani et al. D24/186
D608,451 S * 1/2010 Hanoun D24/186
D616,993 S * 6/2010 Muis et al. D24/186
D634,319 S * 3/2011 Andre et al. D14/341
D634,431 S * 3/2011 Severe et al. D24/167
D659,836 S * 5/2012 Bensch et al. D24/167

* cited by examiner

Primary Examiner — Anhdao Doan

(74) *Attorney, Agent, or Firm* — Wong, Cabello, Lutsch,
Rutherford & Brucculeri, LLP

(57) **CLAIM**

The ornamental design for a control pad, as shown and described.

DESCRIPTION

FIG. 1 is a front perspective view, from the lower right corner, of a control pad showing our new design.

FIG. 2 is a back perspective view, from the upper left corner, thereof.

FIG. 3 is a front view thereof.

FIG. 4 is a back view thereof.

FIG. 5 is a left side view thereof.

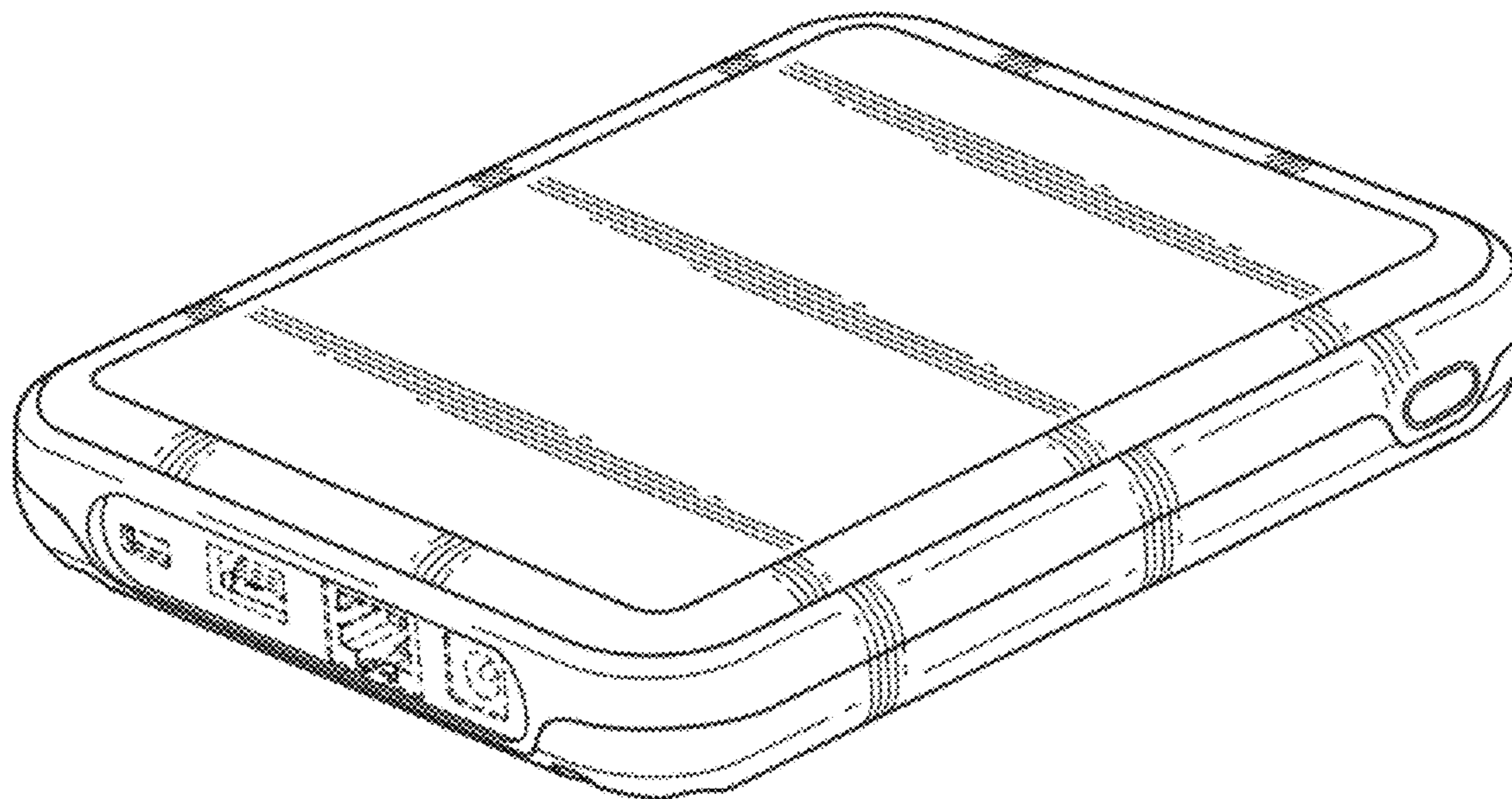
FIG. 6 is a right side view thereof.

FIG. 7 is an upper end view thereof; and,

FIG. 8 is a lower end view thereof.

The broken lines in FIGS. 1, 2, 4 and 8 views are included for the purpose of illustrating portions of the control pad that form no part of the claimed design.

1 Claim, 6 Drawing Sheets



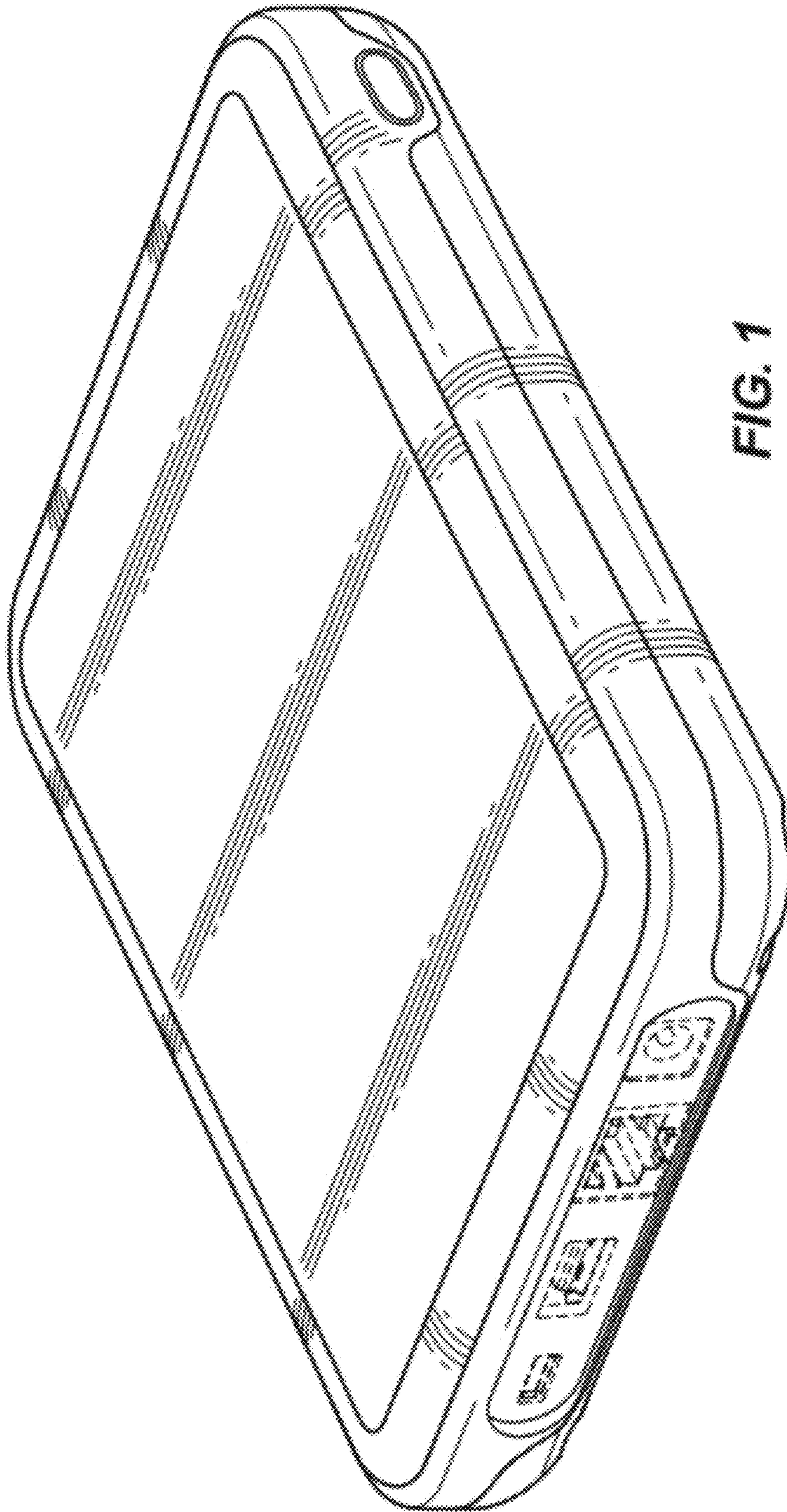


FIG. 1

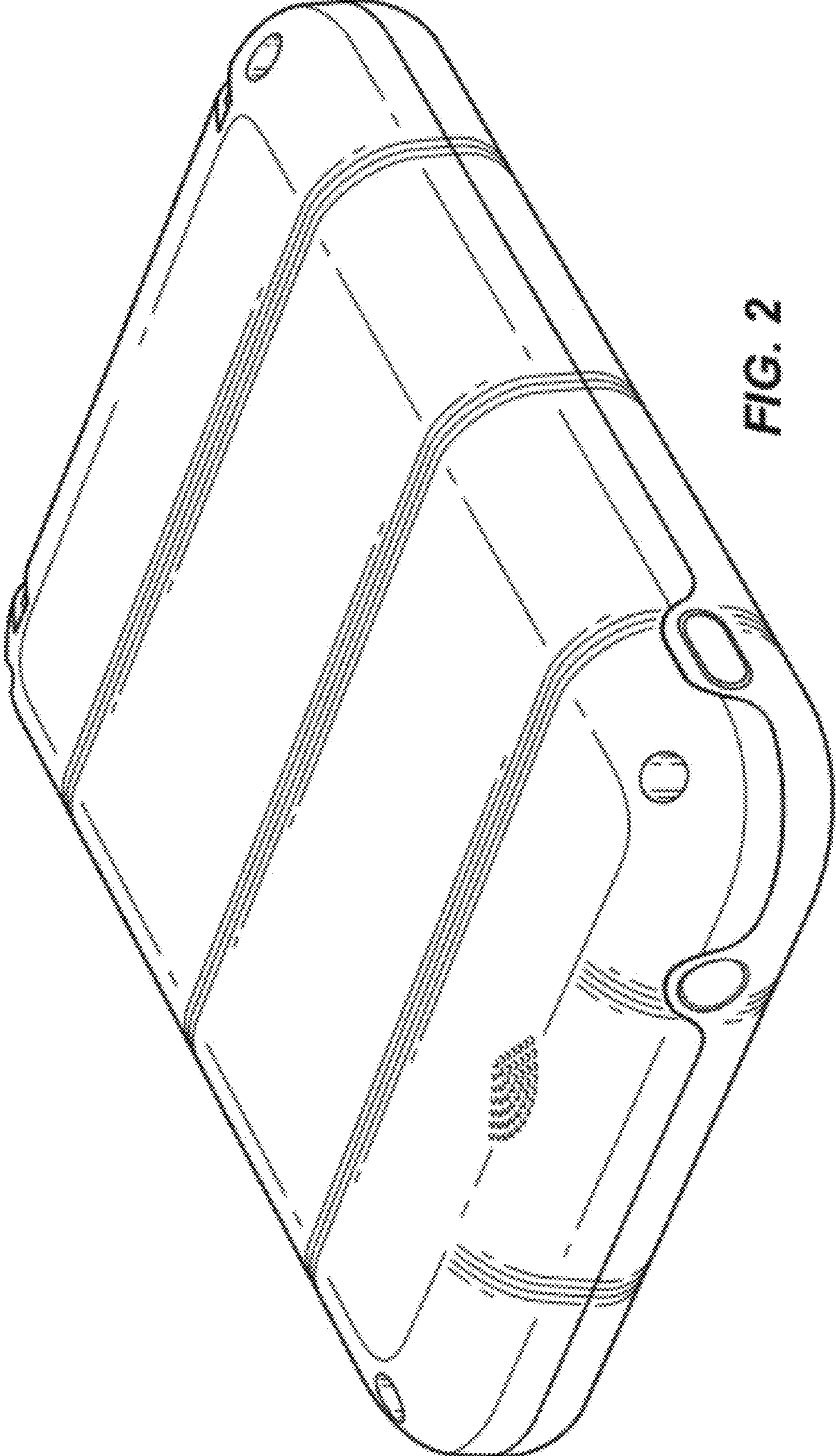


FIG. 2

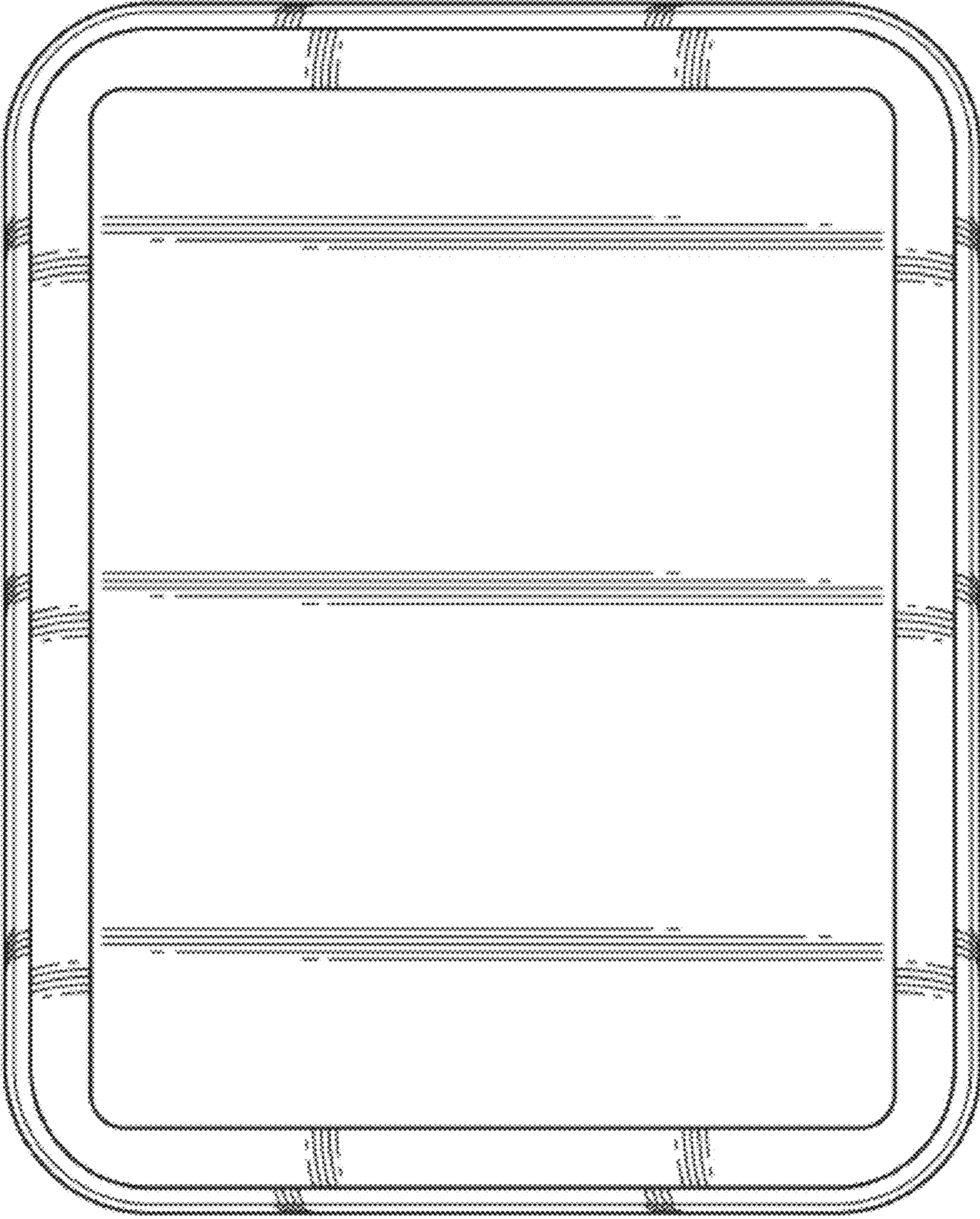


FIG. 3

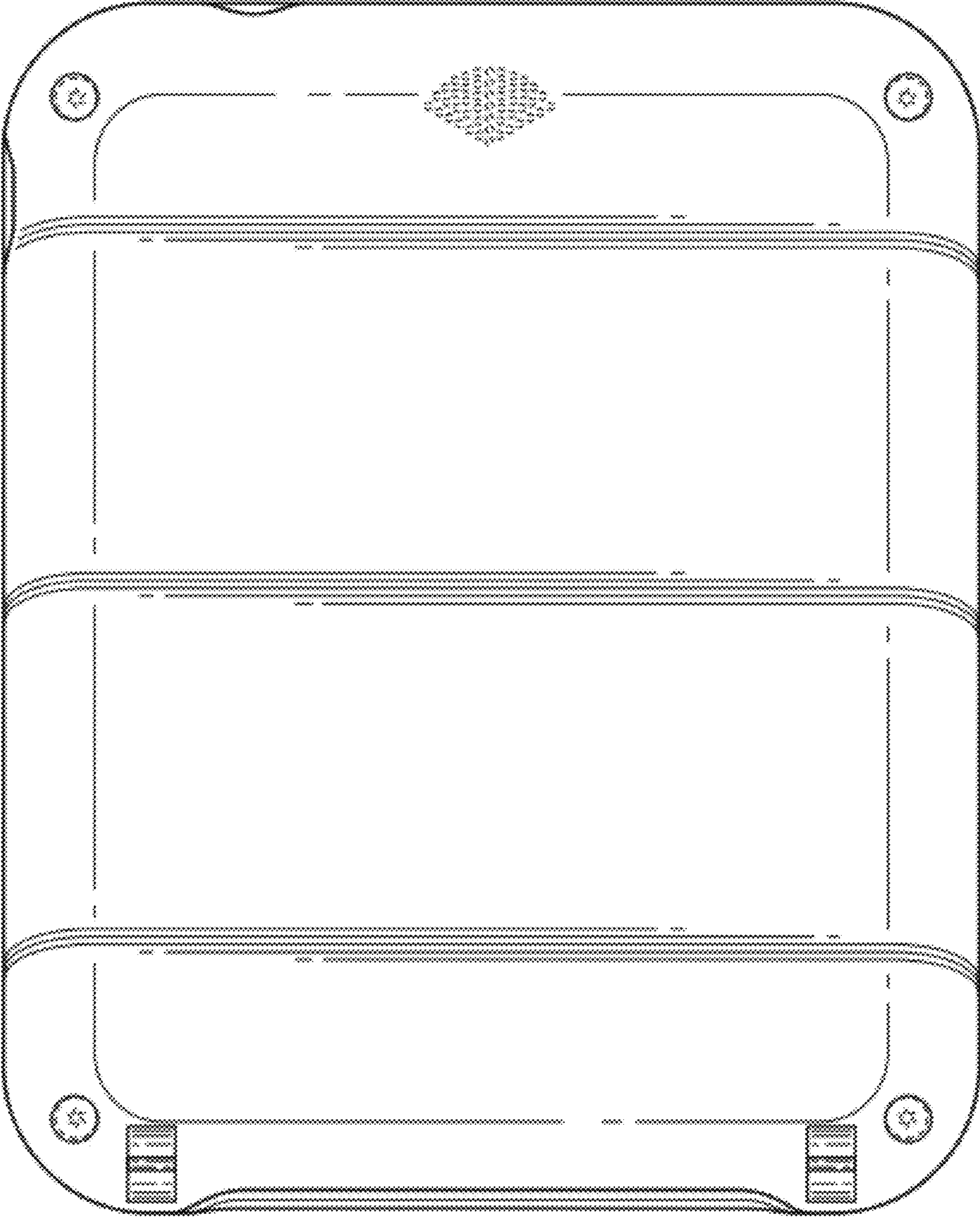


FIG. 4

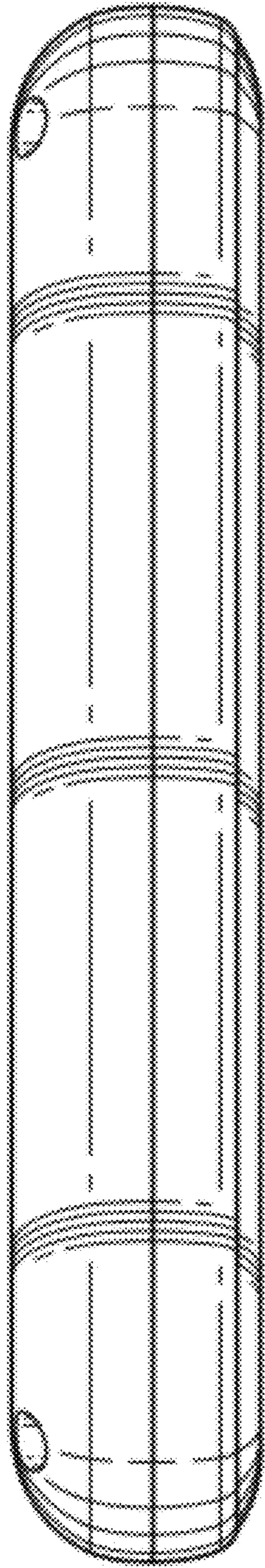


FIG. 5

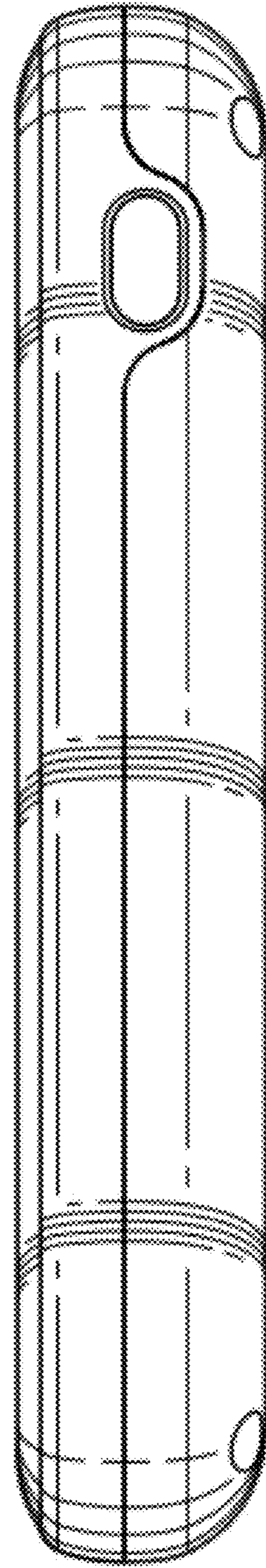


FIG. 6

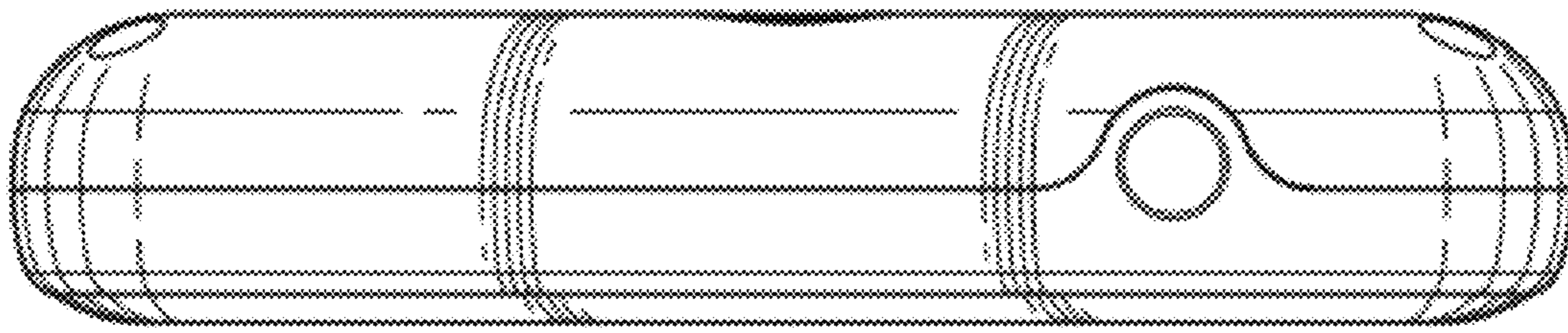


FIG. 7

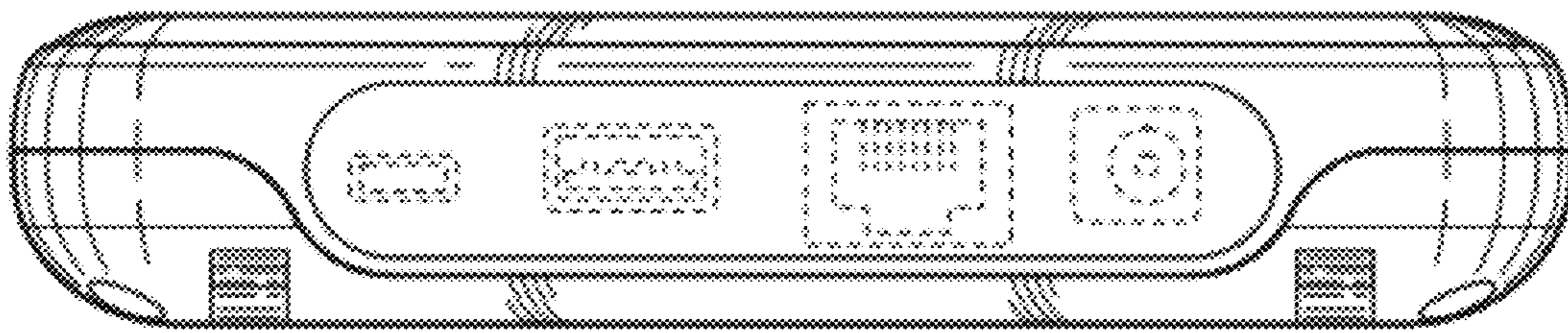


FIG. 8