



US00D676126S

(12) **United States Design Patent**
Hair

(10) **Patent No.:** **US D676,126 S**

(45) **Date of Patent:** **** Feb. 12, 2013**

(54) **FACETED NASAL SEAL**
(75) Inventor: **Kenneth A. Hair**, Fort Collins, CO (US)
(73) Assignee: **Water Pik, Inc.**, Fort Collins, CO (US)
(**) Term: **14 Years**

5,330,634 A 7/1994 Wong et al.
5,354,849 A 10/1994 Schoefberger
5,611,376 A 3/1997 Chuang
5,655,686 A 8/1997 Jermyn
D390,744 S 2/1998 Otero
(Continued)

(21) Appl. No.: **29/364,670**

FOREIGN PATENT DOCUMENTS
DE 29602605 4/1996
GB 881807 10/1958
(Continued)

(22) Filed: **Jun. 25, 2010**

(51) **LOC (9) Cl.** **09-07**
(52) **U.S. Cl.** **D24/108; D9/447**
(58) **Field of Classification Search** D24/108-115;
D9/418, 434-435, 447, 448, 453, 454; 604/403-414;
239/327; 222/109-211, 522; 215/247; 206/824
See application file for complete search history.

OTHER PUBLICATIONS

Author Unknown, "NasaFlo Neti Pot," <http://www.neilmed.com/usa/nasaflo.php>, 1 page, at least as early as Dec. 9, 2009.
(Continued)

(56) **References Cited**

Primary Examiner — Richard E Chilcot
(74) *Attorney, Agent, or Firm* — Dorsey & Whitney LLP

U.S. PATENT DOCUMENTS

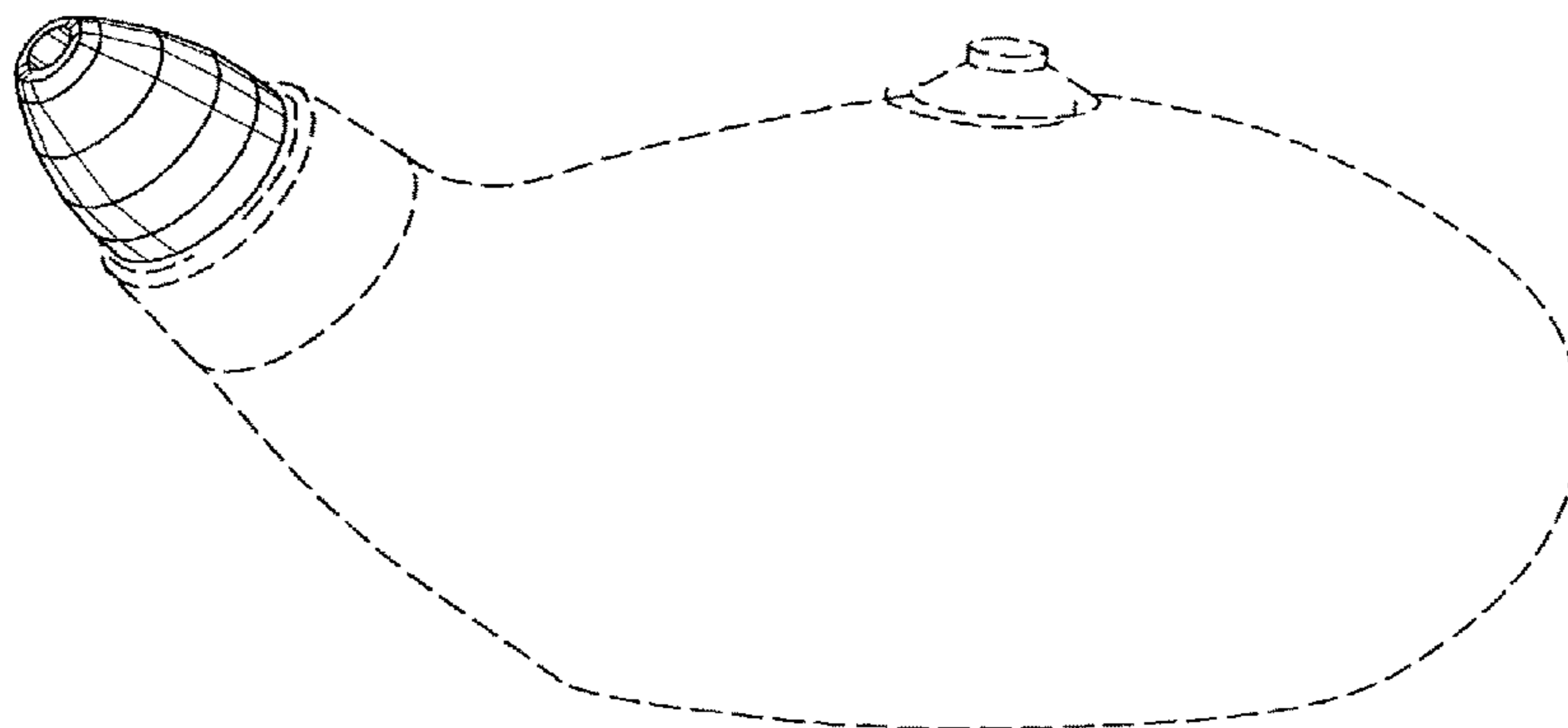
465,559 A	12/1891	Good	
2,115,959 A	5/1938	Lewis	
2,571,921 A	10/1951	Morris	
2,578,864 A	12/1951	Tupper	
D169,996 S	7/1953	Vuillement	
2,722,458 A	11/1955	Wahlin	
2,811,283 A	10/1957	Bowen	
2,987,261 A *	6/1961	McCuiston et al. D24/110
3,363,808 A	1/1968	Gorman	
3,455,294 A	7/1969	Adler et al.	
3,847,145 A	11/1974	Grossan	
4,083,840 A	4/1978	Schoefberger	
D250,546 S	12/1978	Pick et al.	
D250,601 S	12/1978	Pick et al.	
4,179,051 A	12/1979	Thomas	
4,356,941 A	11/1982	McRoskey et al.	
D271,028 S	10/1983	Adams	
4,439,206 A	3/1984	Hildebrand et al.	
4,489,535 A	12/1984	Veltman	
4,513,891 A	4/1985	Hain et al.	
4,526,797 A	7/1985	Stone, Jr.	
4,555,469 A	11/1985	Erdmann et al.	
D305,262 S	12/1989	Nichols	
4,925,128 A	5/1990	Brody	
D314,702 S *	2/1991	Gonzalez D9/667
D317,940 S	7/1991	Brenner	
5,301,846 A	4/1994	Schmitz	
5,316,054 A	5/1994	Hall et al.	

(57) **CLAIM**
I claim the ornamental design for a faceted nasal seal, substantially as shown and described.

DESCRIPTION

FIG. 1 is a front isometric view from the bottom left of a faceted nasal seal.
FIG. 2 is a front isometric view of the faceted nasal seal of FIG. 1.
FIG. 3 is a side elevation view of the faceted nasal seal of FIG. 1.
FIG. 4 is a top plan view of the faceted nasal seal of FIG. 1.
FIG. 5 is a bottom plan view of the faceted nasal seal of FIG. 1.
FIG. 6 is a side elevation view in cross section taken along the line 6-6 in FIG. 5 of the faceted nasal seal of FIG. 1; and,
FIG. 7 is a bottom isometric view of the faceted nasal seal of FIG. 1.
The broken lines shown in the drawings are for purposes of illustrating use and environment only and form no part of the claimed design.

1 Claim, 2 Drawing Sheets



US D676,126 S

Page 2

U.S. PATENT DOCUMENTS

5,806,723	A	9/1998	DuBose	
D405,525	S	2/1999	Barrett et al.	
5,897,872	A	4/1999	Picciano	
5,899,878	A	5/1999	Glassman	
5,967,377	A	10/1999	Glynn	
6,006,952	A	12/1999	Lucas	
6,035,769	A	3/2000	Nomura et al.	
D424,197	S	5/2000	Sydrowski et al.	
D426,300	S	6/2000	Conforti	
6,135,358	A	10/2000	Ballini	
6,238,377	B1	5/2001	Liu	
6,241,705	B1	6/2001	Ko-Wen	
6,293,436	B2	9/2001	Faughnder et al.	
6,520,384	B2	2/2003	Mehta	
6,540,718	B1	4/2003	Wennek	
6,558,344	B2	5/2003	McKinnon et al.	
D481,794	S	11/2003	Krinsky	
6,669,059	B2	12/2003	Mehta	
D486,066	S	2/2004	Hannen et al.	
6,688,497	B2	2/2004	Mehta	
6,736,792	B1	5/2004	Liu	
D490,896	S	6/2004	Bogazzi	
D493,888	S	8/2004	Reschke	
D495,954	S	9/2004	Solomon	
D497,107	S	10/2004	Hama et al.	
6,814,259	B1	11/2004	Foster et al.	
6,907,879	B2*	6/2005	Drinan et al.	604/319
D530,815	S	10/2006	Murphy et al.	
D538,474	S	3/2007	Sheppard et al.	
D548,334	S	8/2007	Izumi	
D550,097	S	9/2007	Lepoitevan	
7,306,121	B2*	12/2007	Ophardt et al.	222/209
D558,509	S	1/2008	Bodum	
D558,510	S	1/2008	Bodum	
D562,404	S	2/2008	Jansen et al.	
D584,151	S*	1/2009	Murphy	D9/453
7,500,584	B2	3/2009	Shutz	
D590,493	S	4/2009	Harlan et al.	
D601,697	S	10/2009	Sobeich et al.	
D603,708	S	11/2009	Handy	
D608,645	S	1/2010	Handy et al.	
D612,736	S	3/2010	Pecora	

D613,601	S	4/2010	Yoneda	
7,703,696	B2	4/2010	Eddins et al.	
D627,458	S*	11/2010	Bisson et al.	D24/115
D629,884	S	12/2010	Stephens	
D630,314	S	1/2011	Stephens	
7,862,536	B2	1/2011	Chen et al.	
D634,213	S	3/2011	Thompson	
D634,630	S*	3/2011	Taylor	D9/447
D634,631	S*	3/2011	Taylor	D9/447
7,959,597	B2*	6/2011	Baker et al.	604/28
D653,953	S	2/2012	Wakeman	
2003/0062367	A1	4/2003	Robinson et al.	
2008/0294124	A1	11/2008	Mehta	
2009/0234325	A1	9/2009	Rozenberg et al.	
2009/0281454	A1*	11/2009	Baker et al.	600/573
2011/0139149	A1	6/2011	Cacka et al.	
2011/0139824	A1	6/2011	Cacka et al.	
2011/0139826	A1	6/2011	Hair et al.	
2011/0144588	A1	6/2011	Taylor et al.	
2011/0319840	A1	12/2011	Hair	

FOREIGN PATENT DOCUMENTS

WO	WO9629044	9/1996
WO	WO2005/000477	1/2005

OTHER PUBLICATIONS

Author Unknown, "SinuFlo Ready Rinse," <http://www.neilmed.com/usa/sinuflo.php>, 1 page, at least as early as Dec. 9, 2009.

Author Unknown, "Sinus Rinse Nasal Wash," <http://www.neilmed.com/usa/sinusrinse.php>, 3 pages, at least as early as Dec. 9, 2009.

Papsin et al., "Saline Nasal Irrigation," *Canadian Family Physician*, vol. 49, pp. 168-173, Feb. 2003.

Rabago et al., "Efficacy of Daily Hypertonic Saline Nasal Irrigation Among Patients with Sinusitis: A Randomized Controlled Trial," *The Journal of Family Practice*, vol. 51, No. 12, pp. 1049-1055, Dec. 2002.

Schumann et al., "Patients Insist on Antibiotics for Sinusitis? Here is a Good Reason to Say 'No'," *The Journal of Family Practice*, vol. 57, No. 7, pp. 464-468, Jul. 2008.

* cited by examiner

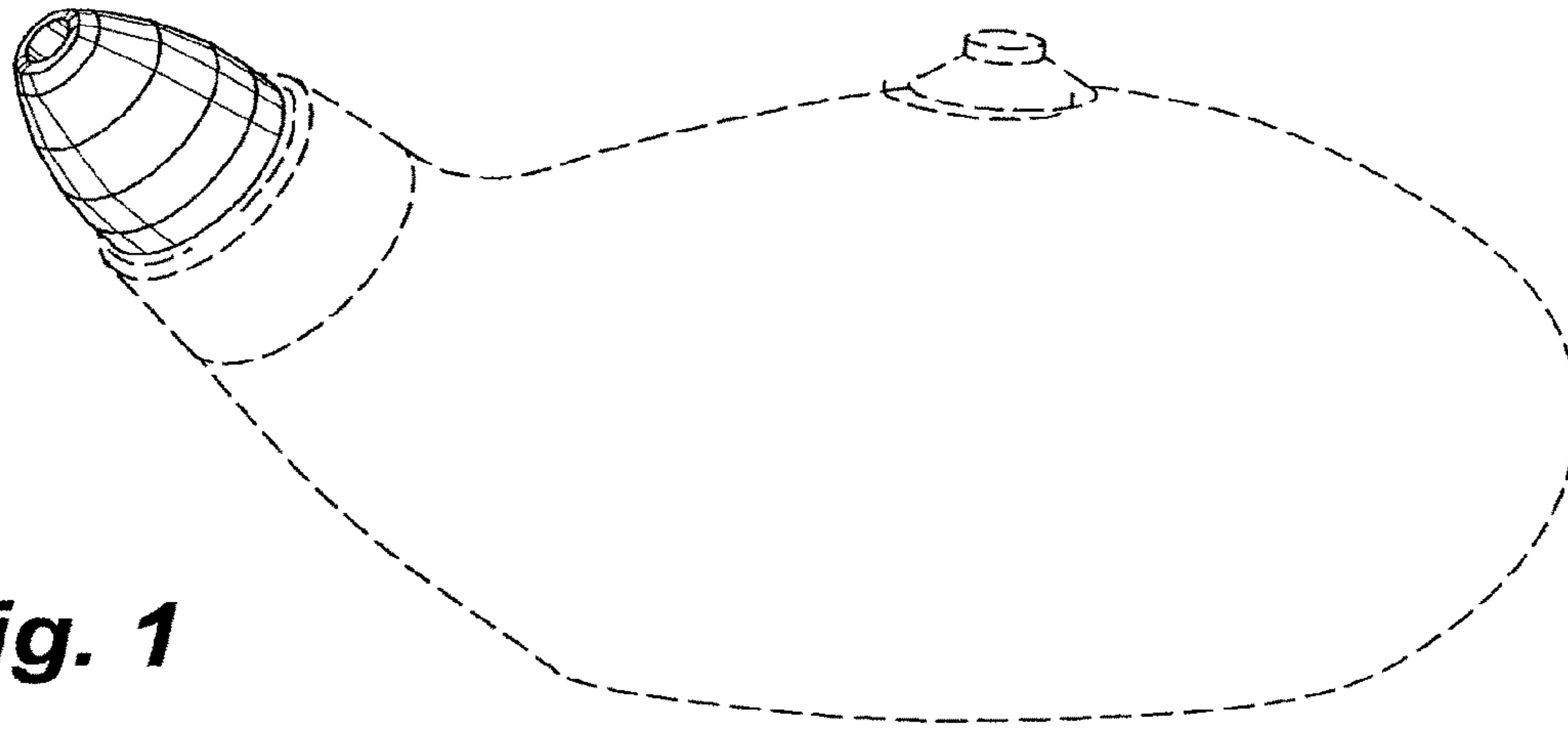


Fig. 1

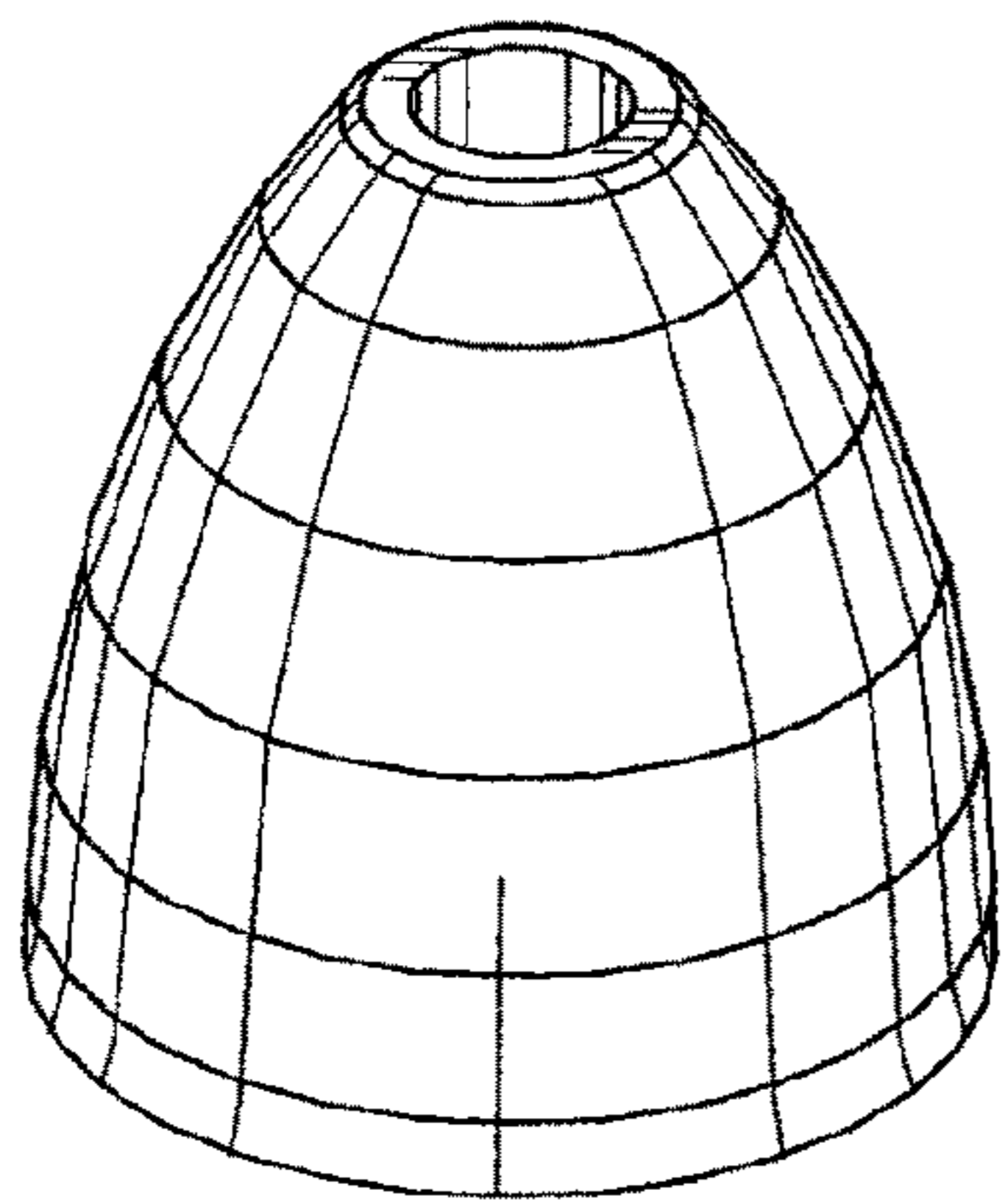


Fig. 2

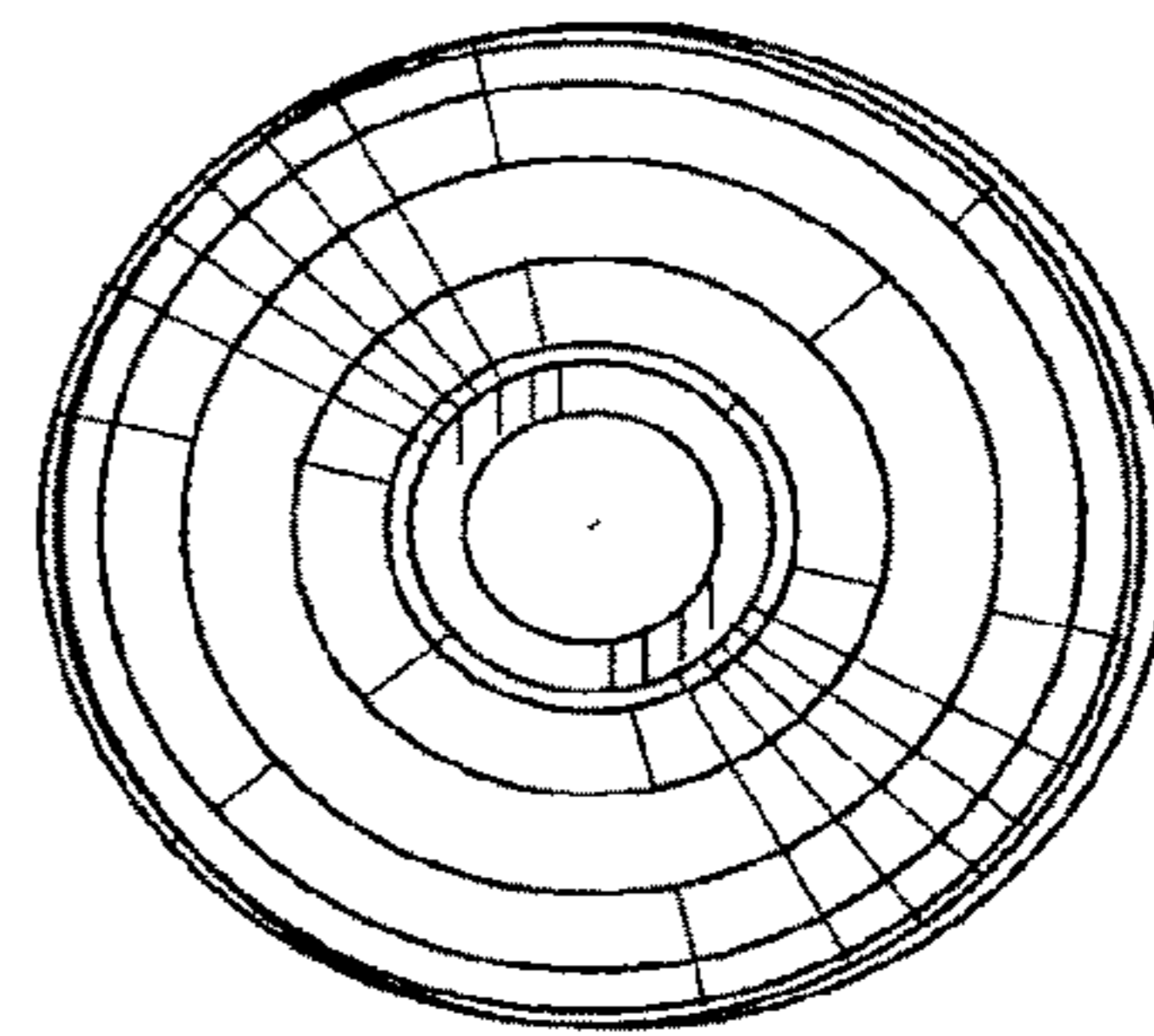


Fig. 4

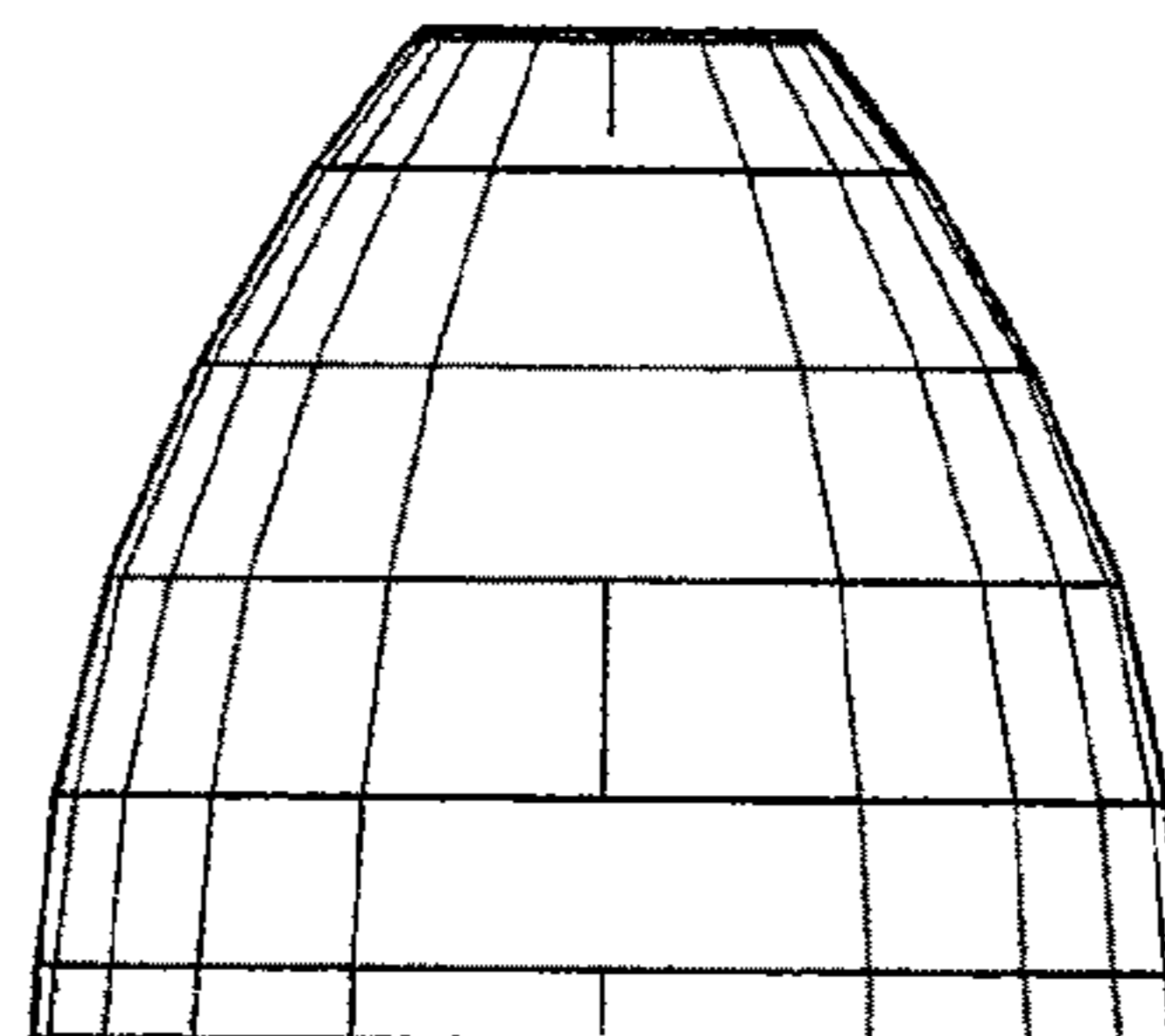


Fig. 3

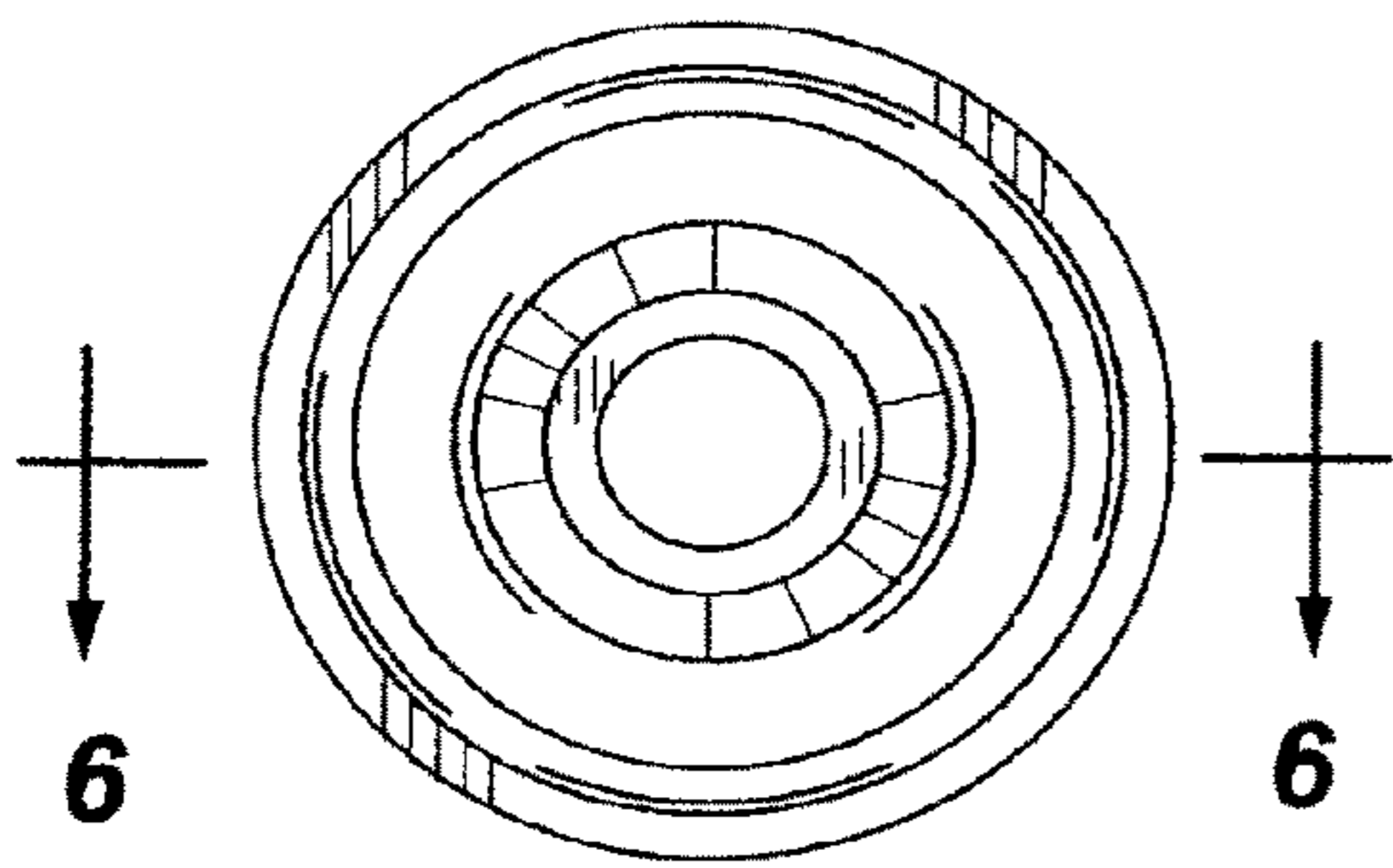


Fig. 5

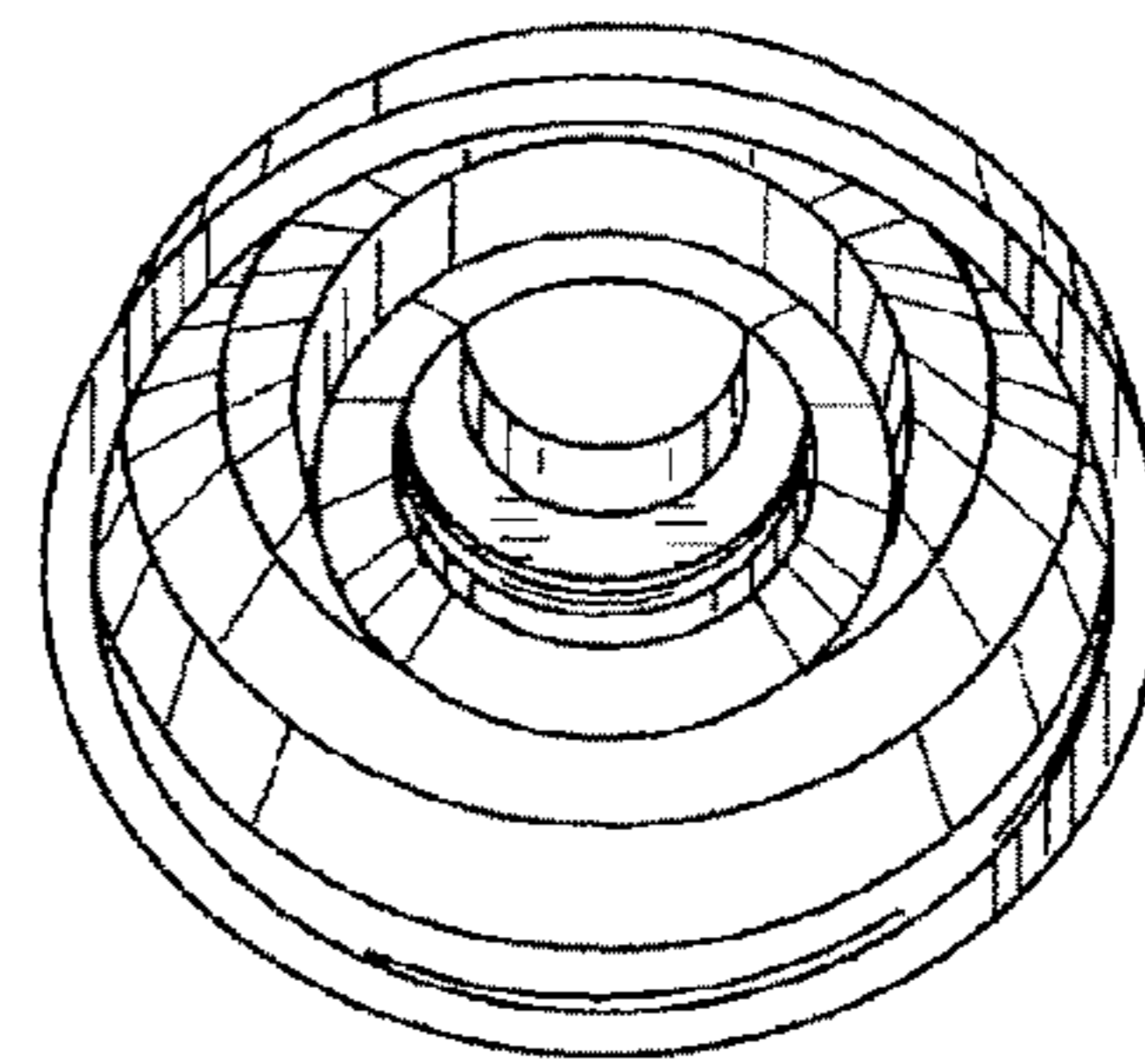


Fig. 7

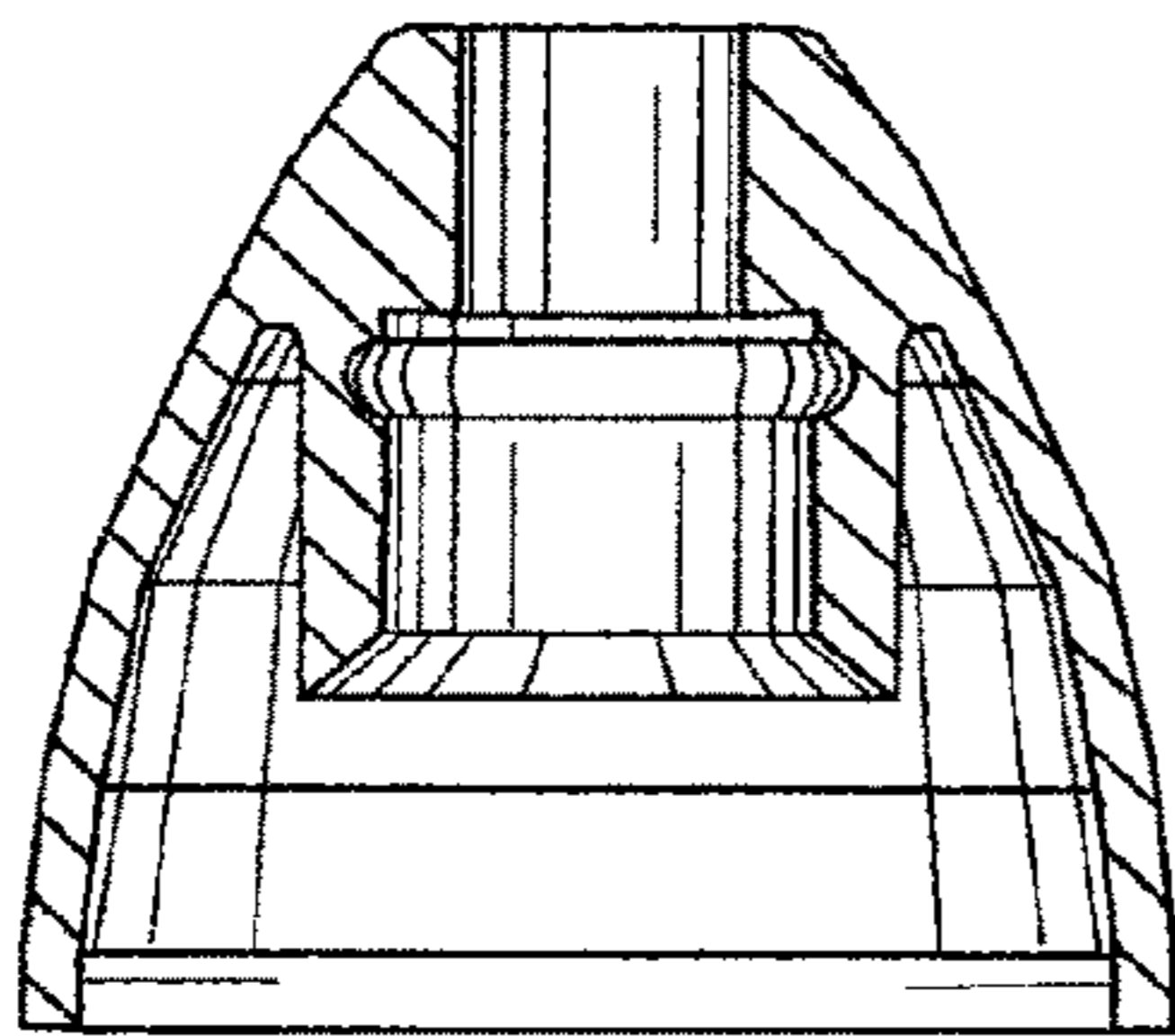


Fig. 6