



US00D676124S

(12) **United States Design Patent**
Almanza et al.

(10) **Patent No.:** **US D676,124 S**
(45) **Date of Patent:** **** Feb. 12, 2013**

(54) **PEDESTAL FAN PARTS**

(75) Inventors: **Manuel Almanza**, LaGrange Park, IL (US); **Henry Haiying Wu**, Chicago, IL (US); **Christopher Donald Peterson**, Arlington Heights, IL (US); **Chungkin Lee**, Naperville, IL (US)

(73) Assignee: **Camair LLC**, Chicago, IL (US)

(**) Term: **14 Years**

(21) Appl. No.: **29/389,193**

(22) Filed: **Apr. 7, 2011**

(51) **LOC (9) Cl.** **23-04**

(52) **U.S. Cl.** **D23/411; D23/378**

(58) **Field of Classification Search** D23/328, D23/335-337, 370-386, 397, 411-414; 248/676; 310/58, 59, 60 A, 60 R, 61-65; 392/365-369, 392/373, 374, 382, 383; 416/63, 179, 185, 416/186 R, 187, 189, 235, 244 R, 246, 247 R
See application file for complete search history.

(56) **References Cited**

U.S. PATENT DOCUMENTS

D91,001 S	11/1933	Weber	
D91,002 S	11/1933	Weber	
D95,720 S	5/1935	Weber	
D104,060 S	4/1937	Budlong	
2,100,994 A	11/1937	Cohen	
D109,663 S	5/1938	Kruck	
2,123,448 A	7/1938	Weber	
2,152,112 A	3/1939	Tornberg	
2,253,033 A	8/1941	Kochner	
2,357,053 A	8/1944	Moeller	
2,554,602 A	5/1951	Sutton	
2,950,859 A	8/1960	Kirk	
3,414,121 A	12/1968	Suzuki	
D234,991 S	4/1975	Olivier	
4,120,615 A	10/1978	Keem et al.	
D291,352 S *	8/1987	Kouno et al. D23/378
D296,130 S	6/1988	Riske	
4,927,324 A	5/1990	Coup et al.	
D312,124 S	11/1990	Coup et al.	
D313,468 S	1/1991	Chaney	

D323,708 S	2/1992	Wang	
D323,885 S *	2/1992	Wortham D23/378
D325,629 S	4/1992	Coup et al.	
5,118,252 A	6/1992	Chaney	
D329,089 S	9/1992	Coup et al.	
D341,196 S *	11/1993	Cheslock D23/378
RE34,551 E	2/1994	Coup et al.	
D346,019 S	4/1994	Cheslock et al.	
D346,440 S *	4/1994	Chiu et al. D23/378

(Continued)

FOREIGN PATENT DOCUMENTS

CN	201031806	3/2008
WO	02081925	10/2002

OTHER PUBLICATIONS

amazon.com, Lasko Model 1850 Pedestal Fan (online catalog illustrates Model 1850 pedestal fan which was on sale or publicly available more than one year prior to the filing date of the instant application).

(Continued)

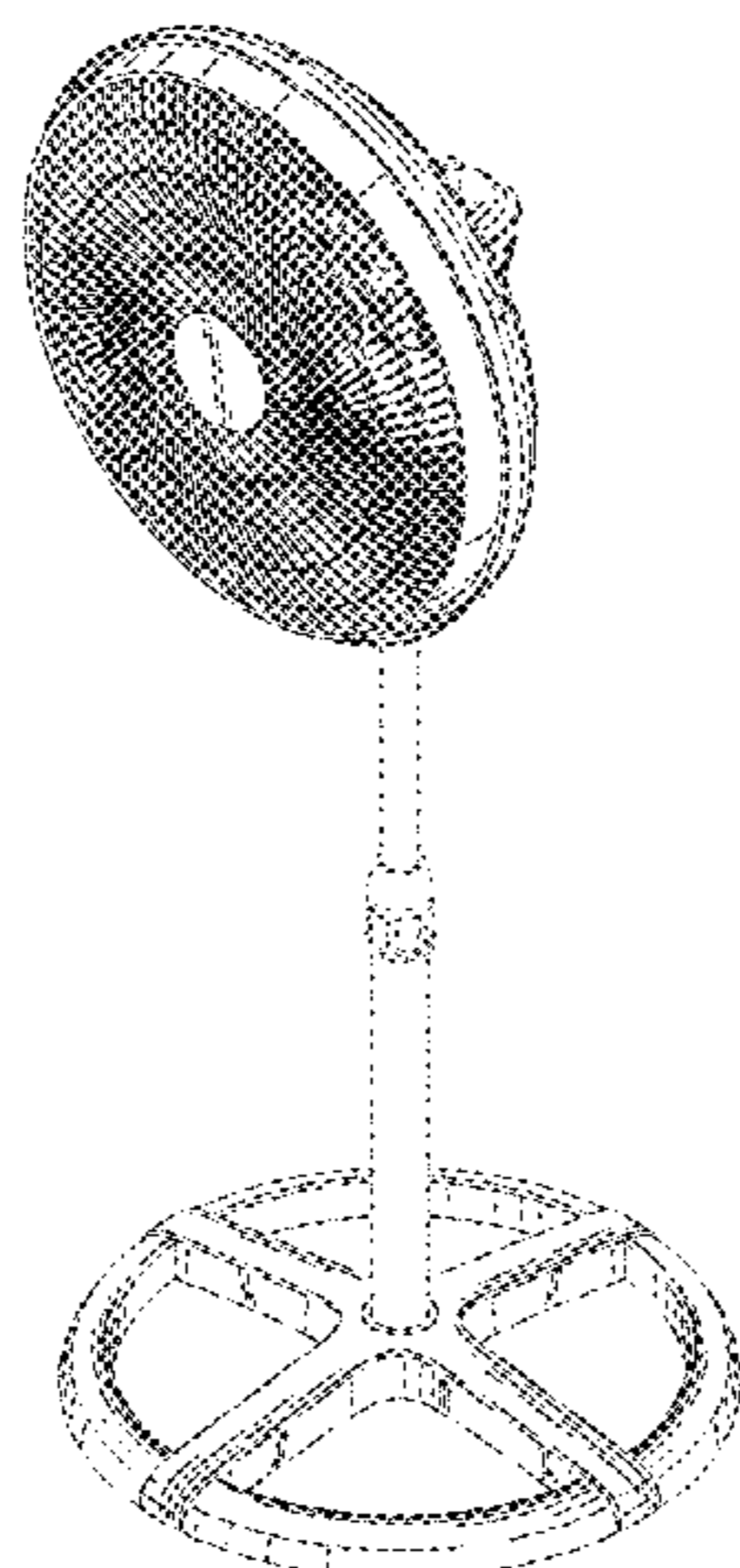
Primary Examiner — Garth Rademaker
(74) *Attorney, Agent, or Firm* — Fitch, Even, Tabin & Flannery, LLP

(57) **CLAIM**
We claim the ornamental design for pedestal fan parts, as shown and described.

DESCRIPTION

FIG. 1 is a perspective view of pedestal fan parts in accordance with my new design;
FIG. 2 is a front elevational view of the pedestal fan parts of FIG. 1;
FIG. 3 is a left side elevational view of the pedestal fan parts of FIG. 1;
FIG. 4 is a rear elevational view of the pedestal fan parts of FIG. 1;
FIG. 5 is a right side elevational view of the pedestal fan parts of FIG. 1;
FIG. 6 is a top plan view of the pedestal fan parts of FIG. 1; and,
FIG. 7 is a bottom view of the pedestal fan parts of FIG. 1.
The broken lines are for illustrative purposes only and form no part of the claimed design.

1 Claim, 6 Drawing Sheets



US D676,124 S

Page 2

U.S. PATENT DOCUMENTS

5,348,447 A 9/1994 Redetzke
D355,483 S * 2/1995 Litvin et al. D23/378
5,429,481 A 7/1995 Liu
D376,005 S 11/1996 Litvin
D391,631 S 3/1998 Litvin
D398,983 S 9/1998 Keller et al.
D400,242 S 10/1998 Litvin
D402,363 S 12/1998 Birdsell et al.
D408,907 S 4/1999 Moreno
D412,743 S * 8/1999 Litvin et al. D23/378
D413,685 S 9/1999 Lasko et al.
D414,858 S 10/1999 Litvin et al.
D416,081 S * 11/1999 Lee D23/378
D416,617 S 11/1999 Jane' et al.
D416,996 S 11/1999 Mack
D418,913 S * 1/2000 Thakur D23/378
6,015,265 A 1/2000 Lasko et al.
D420,734 S * 2/2000 Thakur D23/378
D424,681 S 5/2000 Lozzio et al.
6,071,079 A 6/2000 Litvin
6,079,949 A 6/2000 Litvin
D427,674 S 7/2000 Moreno
6,099,258 A 8/2000 Litvin et al.
D438,947 S 3/2001 Wang
6,196,803 B1 3/2001 Hill et al.
6,213,718 B1 4/2001 Hill et al.
6,244,823 B1 6/2001 Marino et al.
6,309,192 B1 10/2001 Litvin
D451,190 S 11/2001 Chen et al.
D451,594 S 12/2001 Chen et al.
D451,595 S 12/2001 Chen et al.
6,364,618 B1 4/2002 Moreno
D459,467 S 6/2002 Wilson, Jr.
6,454,537 B1 9/2002 Perella et al.
D467,655 S 12/2002 Sherman et al.

6,503,060 B1 1/2003 Kamada et al.
6,585,489 B2 7/2003 Perella et al.
D484,965 S * 1/2004 Wong D23/378
6,764,277 B2 7/2004 Somahara et al.
6,790,009 B1 9/2004 Carbajal
D507,828 S 7/2005 Lee
6,932,579 B2 8/2005 Cichetti, Sr. et al.
D511,570 S * 11/2005 Ke D23/378
D513,437 S 1/2006 Wilhelm
D520,132 S * 5/2006 Jones D23/378
D529,165 S 9/2006 Bucher et al.
7,172,387 B2 2/2007 Yamamoto et al.
RE39,570 E 4/2007 Perella et al.
D573,708 S * 7/2008 Beretta et al. D23/412
D597,195 S 7/2009 Zhuang
D597,196 S 7/2009 Ediger et al.
D610,672 S 2/2010 Xiao
2005/0238481 A1 10/2005 Yamamoto et al.

OTHER PUBLICATIONS

Buzzillions.com, Lakewood Model 007/G Kool Operator Floor Fan (web site illustrates Model 007/G floor fan which was on sale or publicly available more than one year prior to the filing date of the instant application).

amazon.com, Lakewood 5-Wing Blade Patented High Performance 20-Inch Air Circulation Fan (online catalog illustrates a Lakewood fan which was on sale or publicly available more than one year prior to the filing date of the instant application).

amazon.com, Honeywell Whole Room Air Circulator Floor/Table Fan (online catalog illustrates a Honeywell fan which was on sale or publicly available more than one year prior to the filing date of the instant application).

* cited by examiner

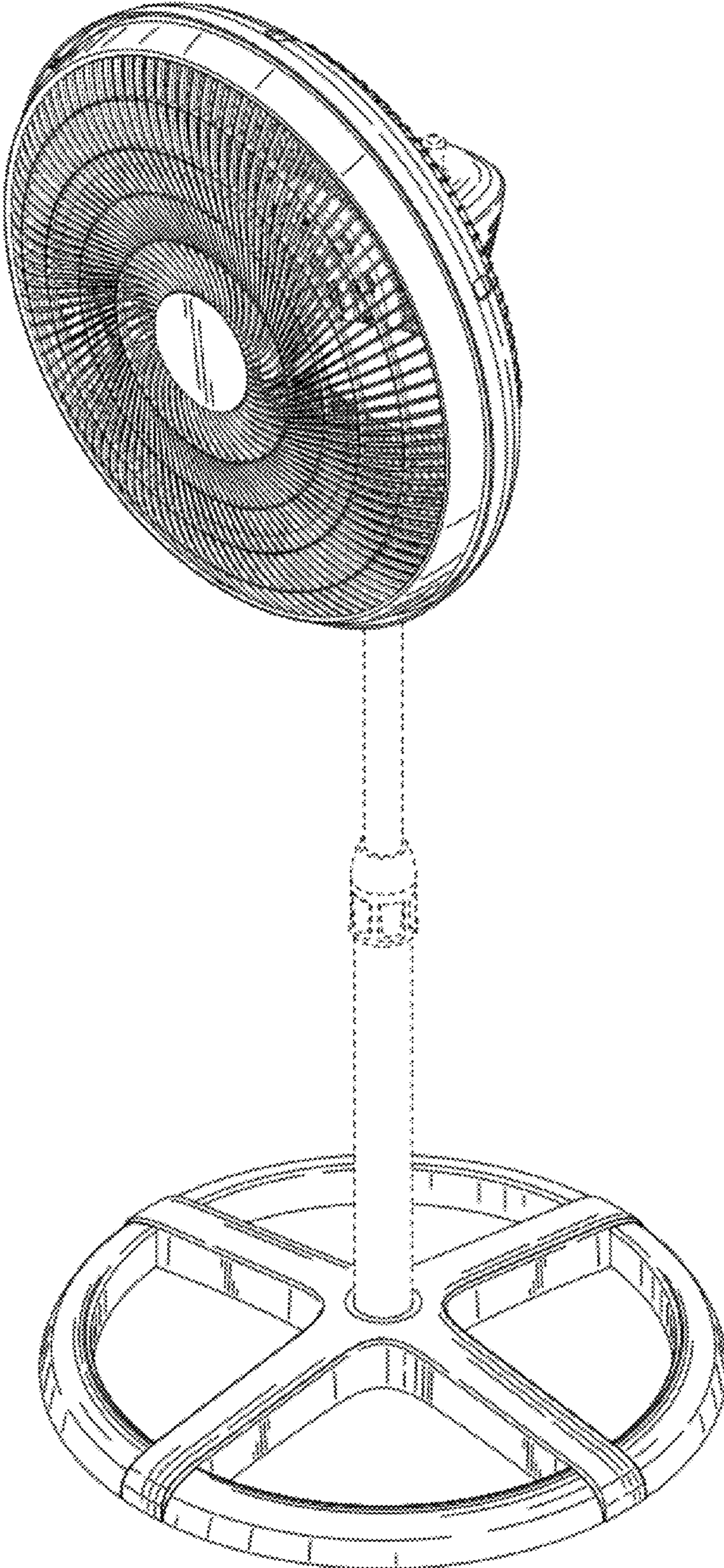


FIG. 1

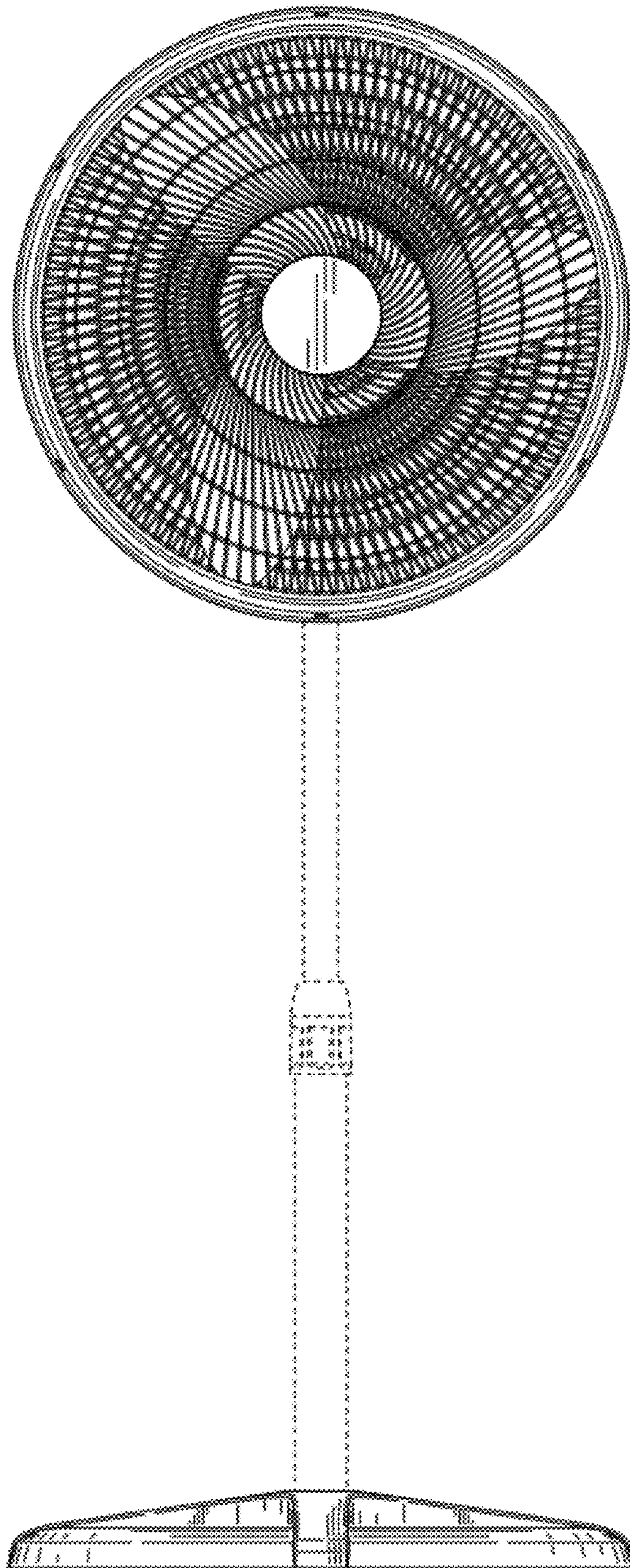


FIG. 2

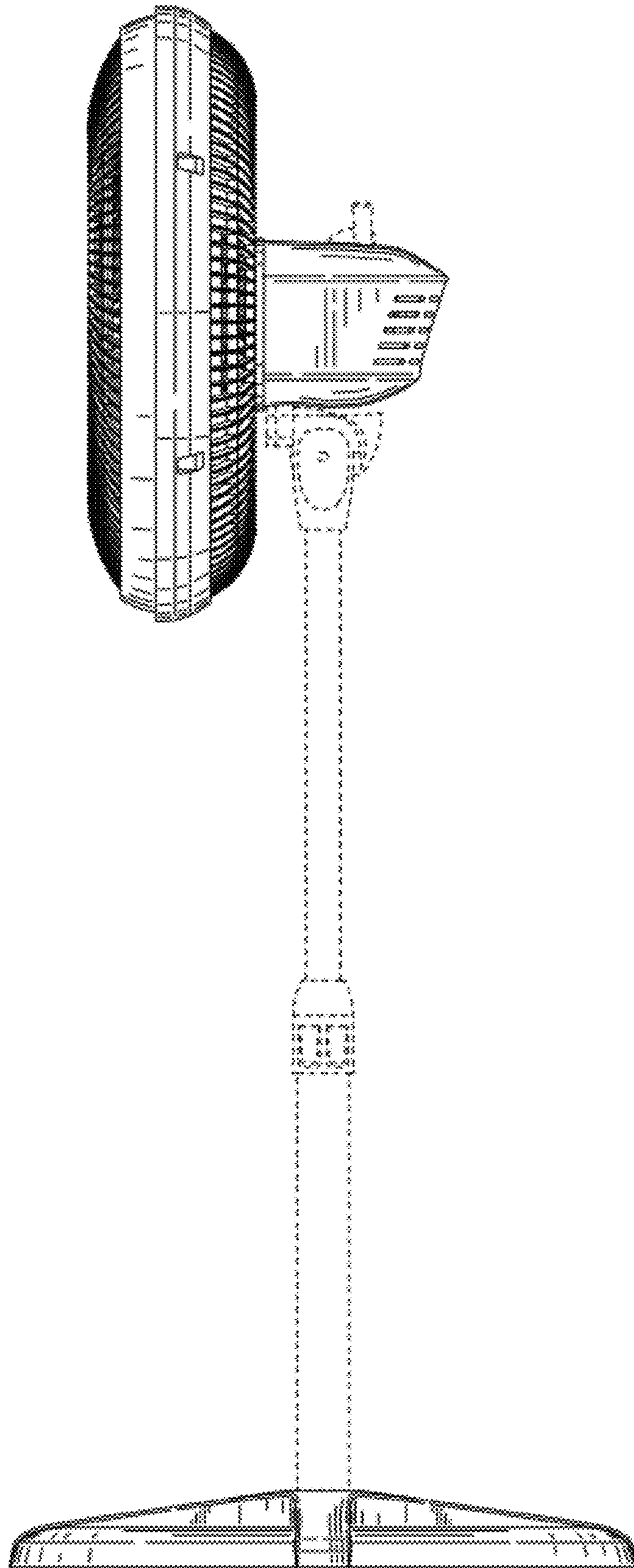


FIG. 3

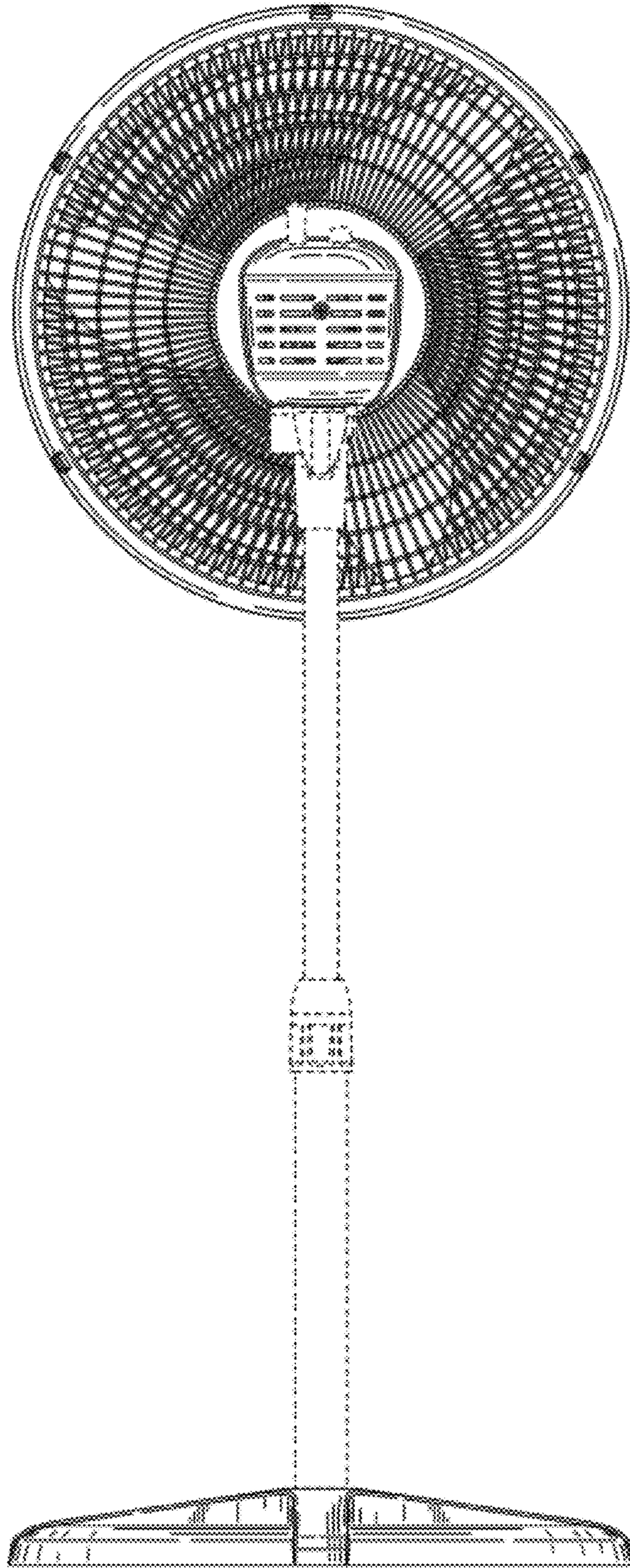


FIG. 4

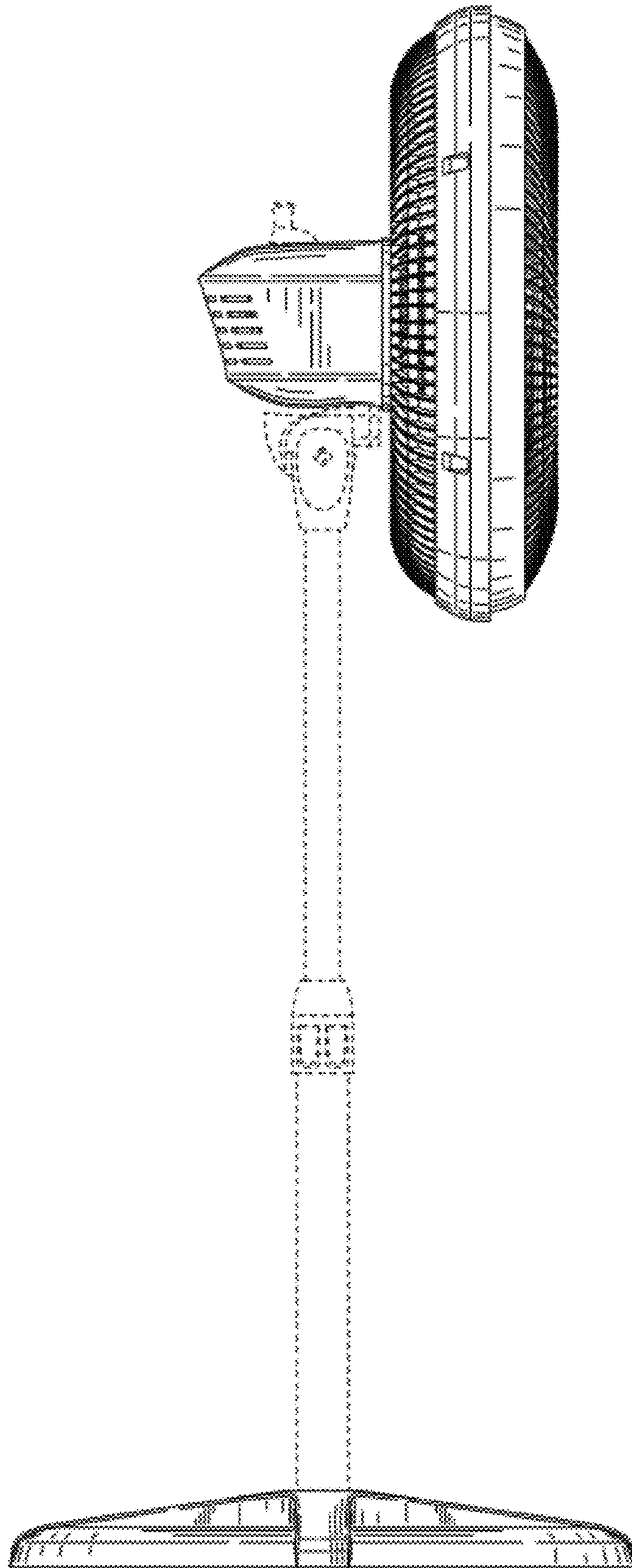


FIG. 5

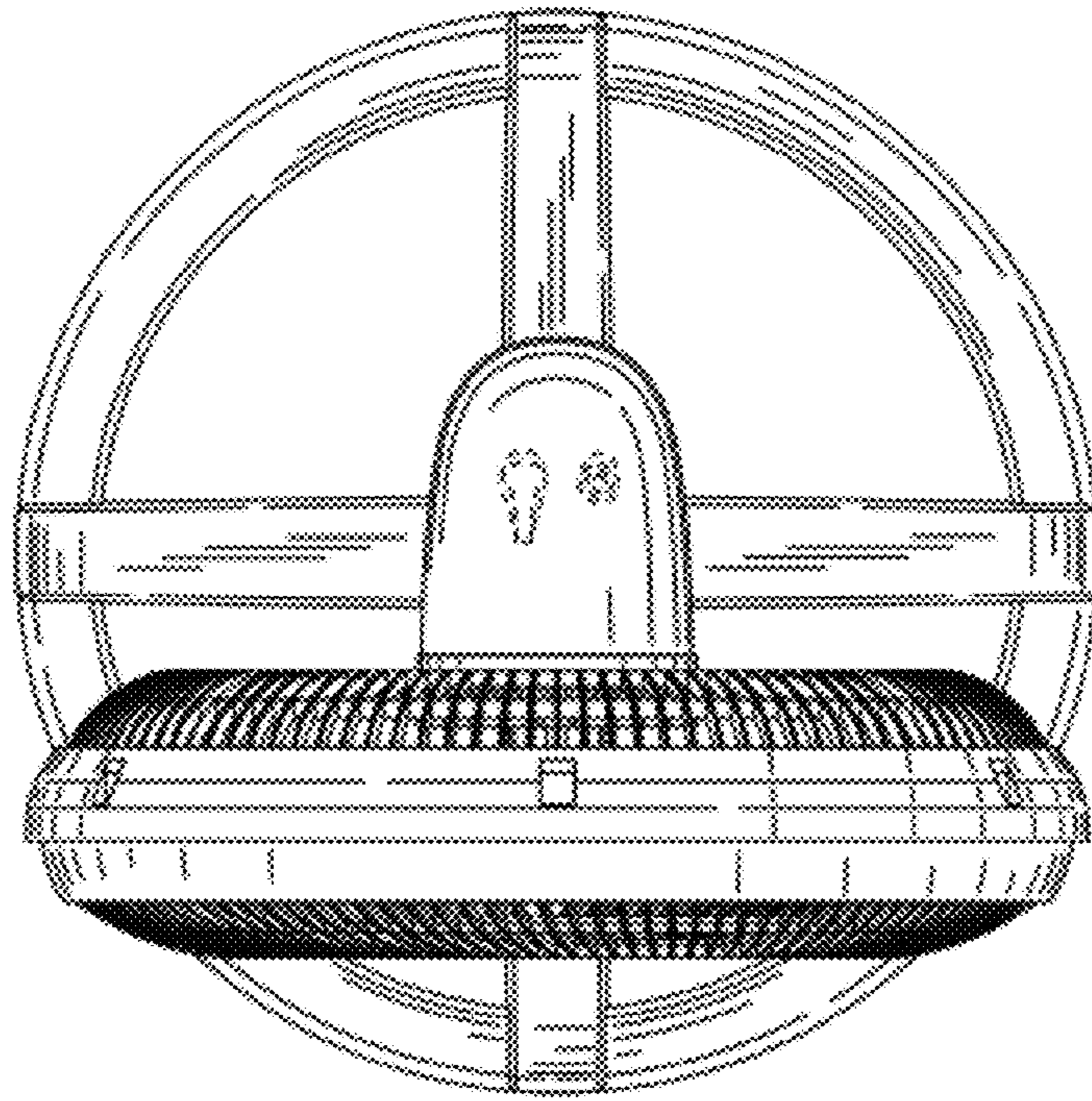


FIG. 6

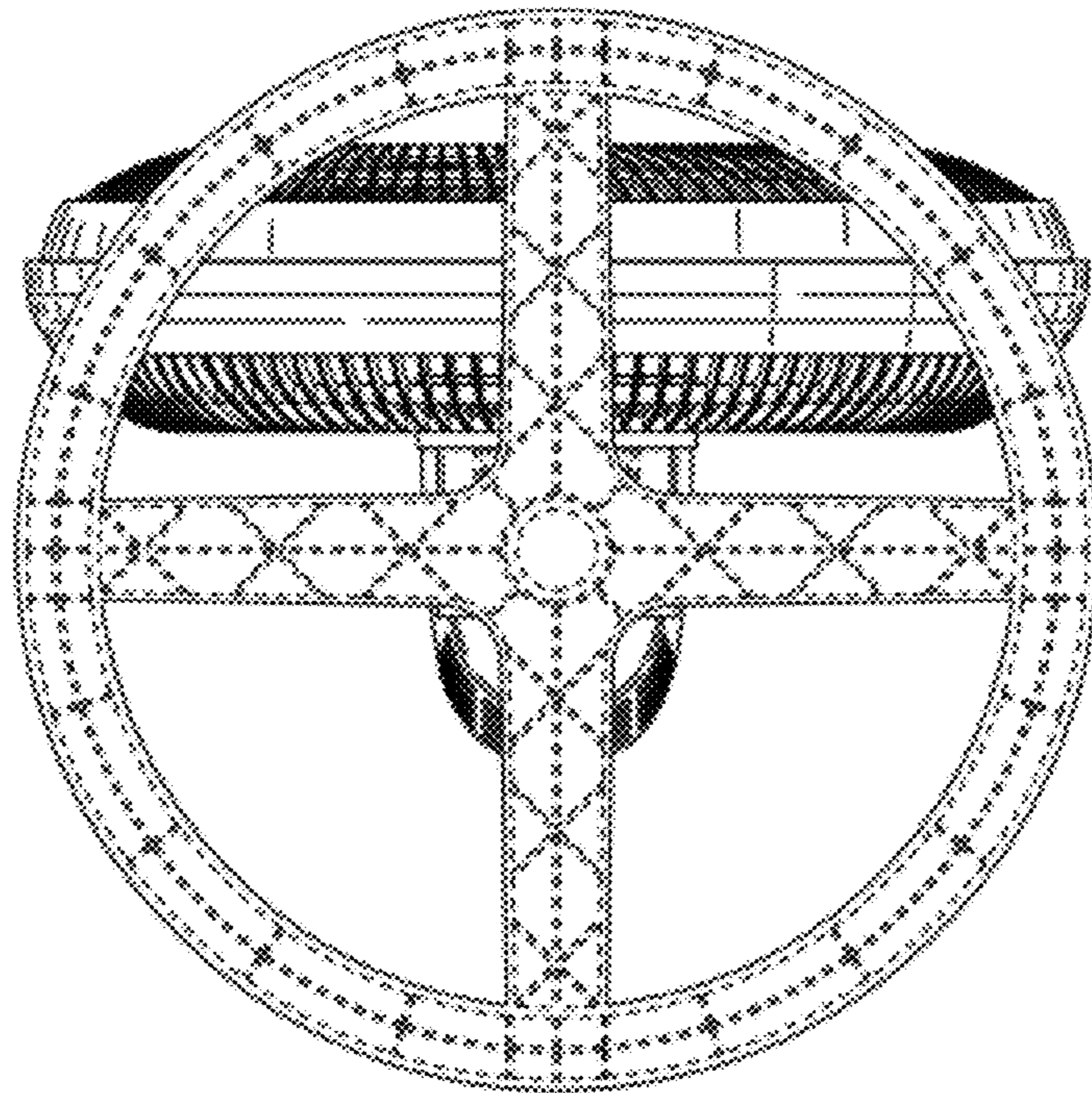


FIG. 7