

US00D676123S

(12) **United States Design Patent**
Hideharu et al.

(10) **Patent No.:** **US D676,123 S**

(45) **Date of Patent:** **** *Feb. 12, 2013**

(54) **FLAT FRONT NECKLACE FAN**

(76) Inventors: **Takei Hideharu**, Sai Kung (HK); **James D. Krehel**, Chicago, IL (US)

(*) Notice: This patent is subject to a terminal disclaimer.

(**) Term: **14 Years**

(21) Appl. No.: **29/395,208**

(22) Filed: **Dec. 19, 2011**

Related U.S. Application Data

(62) Division of application No. 29/374,330, filed on Aug. 1, 2011.

(51) **LOC (9) Cl.** **23-04**

(52) **U.S. Cl.** **D23/370; D23/382; D23/411**

(58) **Field of Classification Search** D23/328,
D23/332, 333, 335-337, 370-386, 397, 411-414;
248/676; 310/58, 59, 60 A, 60 R, 61-65;
392/365-369, 373, 374, 382, 383; 416/63,
416/179, 185, 186 R, 187, 189, 235, 244 R,
416/246, 247 R

See application file for complete search history.

(56) **References Cited**

U.S. PATENT DOCUMENTS

D313,275 S *	12/1990	Aida	D23/370
D314,614 S *	2/1991	Ko	D23/328
D349,570 S *	8/1994	Radtke, Jr.	D23/382
D365,393 S *	12/1995	Geun	D23/382

D372,523 S *	8/1996	Radtke, Jr.	D23/328
D460,542 S *	7/2002	Li	D23/328
D543,614 S *	5/2007	Chen	D23/382
D594,959 S *	6/2009	Orihara et al.	D23/381
D594,960 S *	6/2009	Orihara et al.	D23/381
D595,836 S *	7/2009	Ediger et al.	D23/411
D596,284 S *	7/2009	Ediger et al.	D23/411
2002/0057022 A1 *	5/2002	Yamamoto	310/58
2008/0101928 A1 *	5/2008	Chen	415/213.1

* cited by examiner

Primary Examiner — Garth Rademaker

(74) *Attorney, Agent, or Firm* — Knechtel, Demeur & Samlan

(57) **CLAIM**

We claim the ornamental design for a flat front necklace fan, as shown and described.

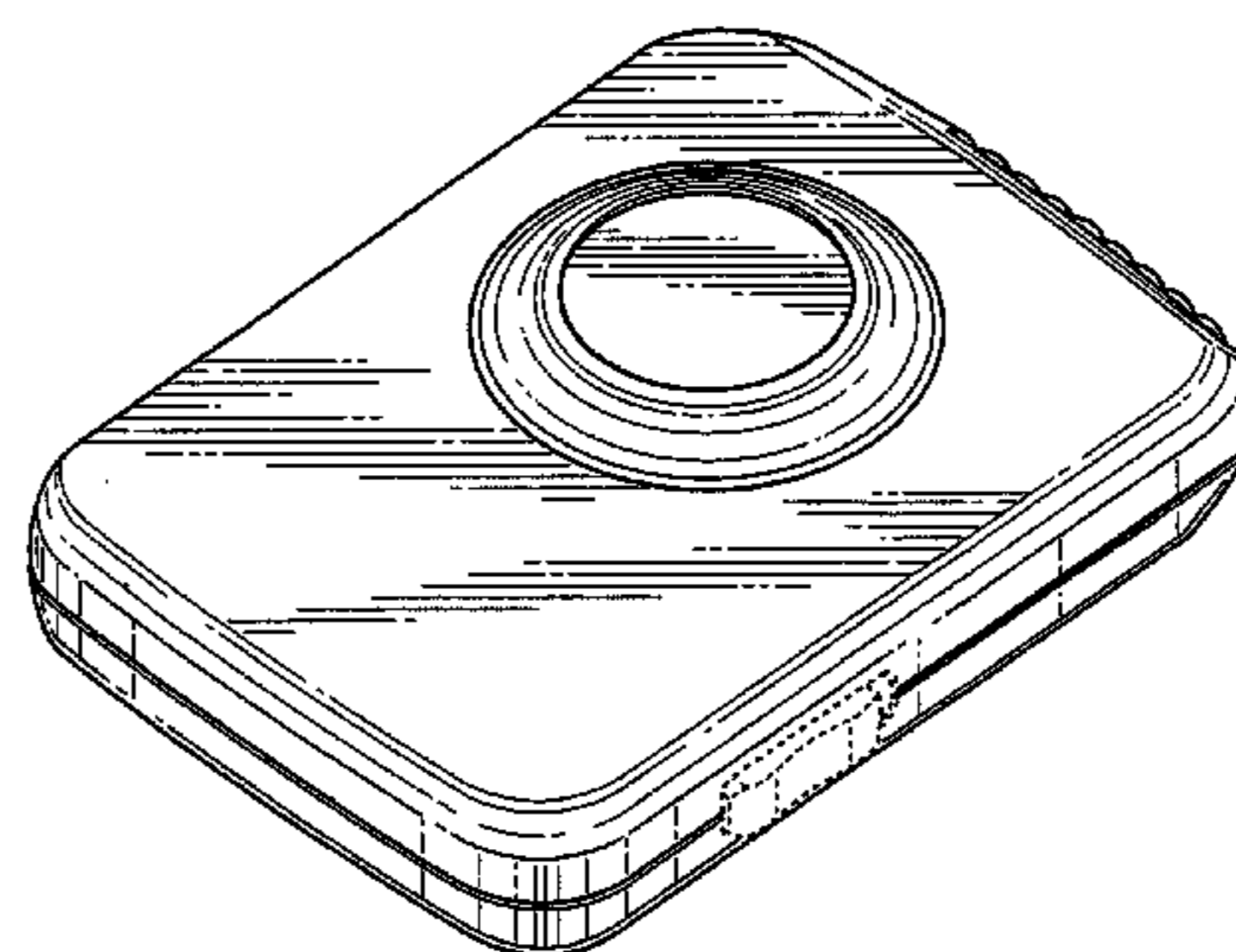
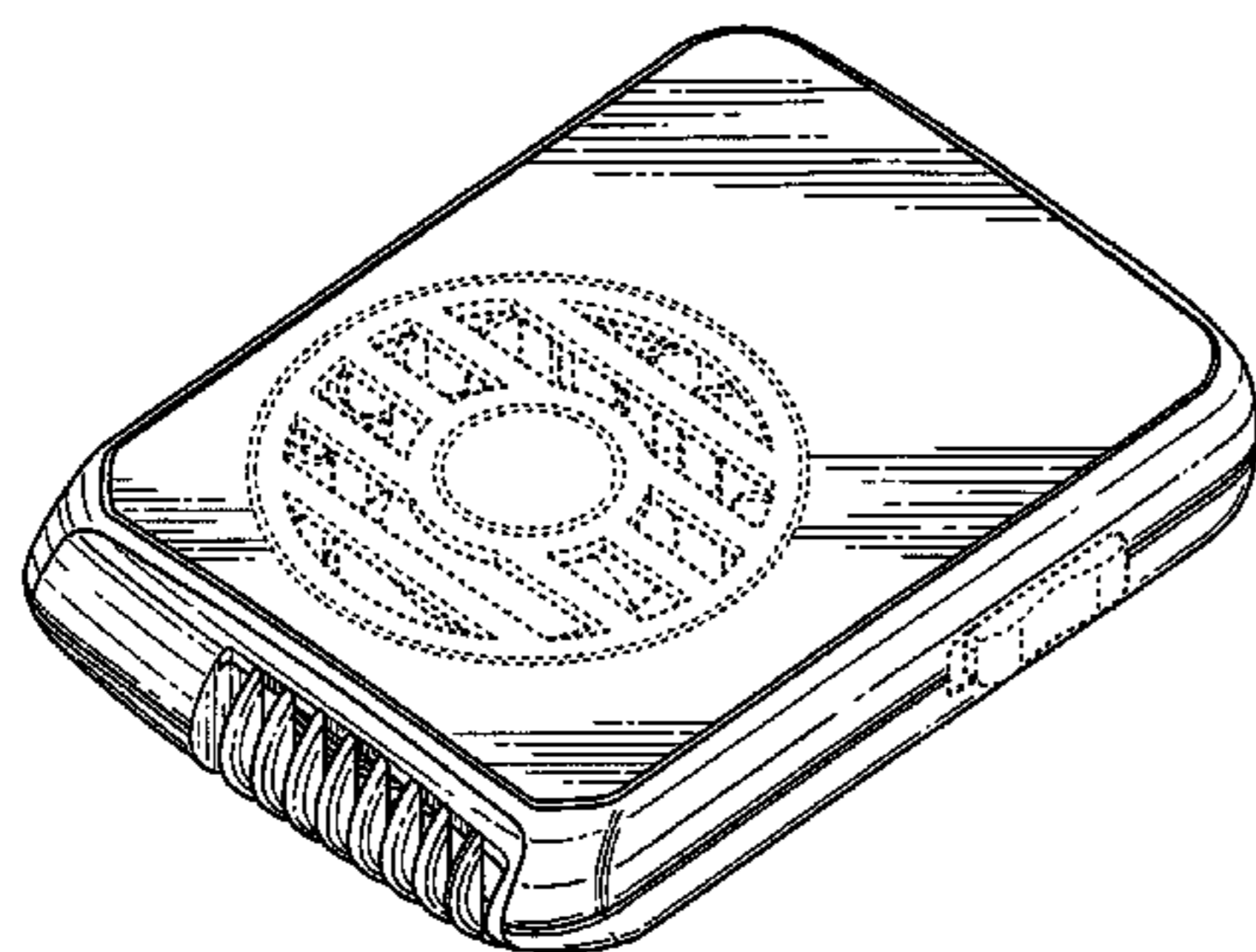
DESCRIPTION

FIG. 1 is a front perspective view of a flat front necklace fan; FIG. 2 is a rear perspective view of the flat front necklace fan; FIG. 3 is a front elevational view of the flat front necklace fan; FIG. 4 is a rear elevational view of the flat front necklace fan; FIG. 5 is a side elevational view of the flat front necklace fan; FIG. 6 is an opposite side elevational view of the flat front necklace fan;

FIG. 7 is a bottom plan view of the flat front necklace fan; and, FIG. 8 is a top plan view of the flat front necklace fan.

The broken lines depict environmental subject matter only and form no part of the claimed design.

1 Claim, 4 Drawing Sheets



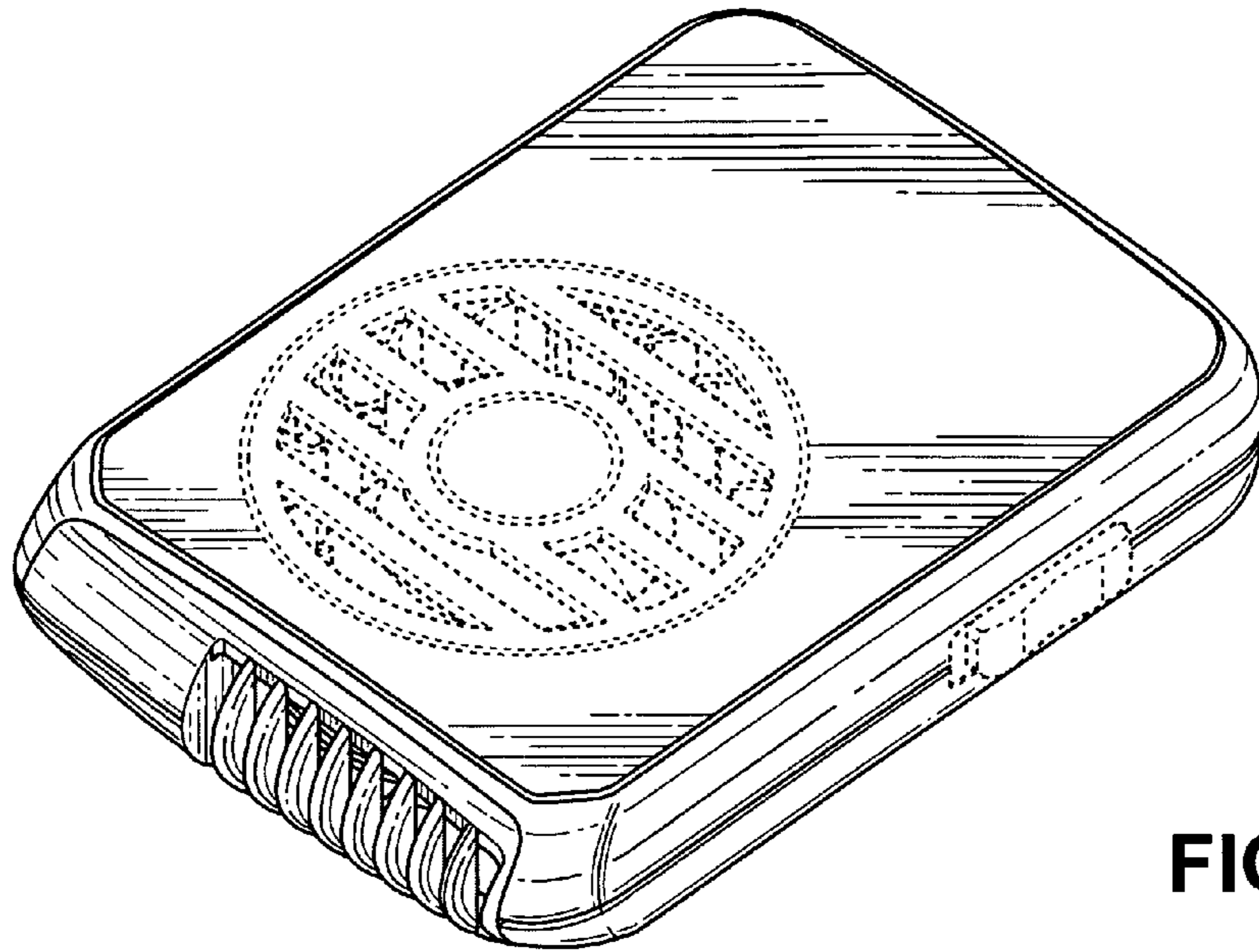


FIG. 1

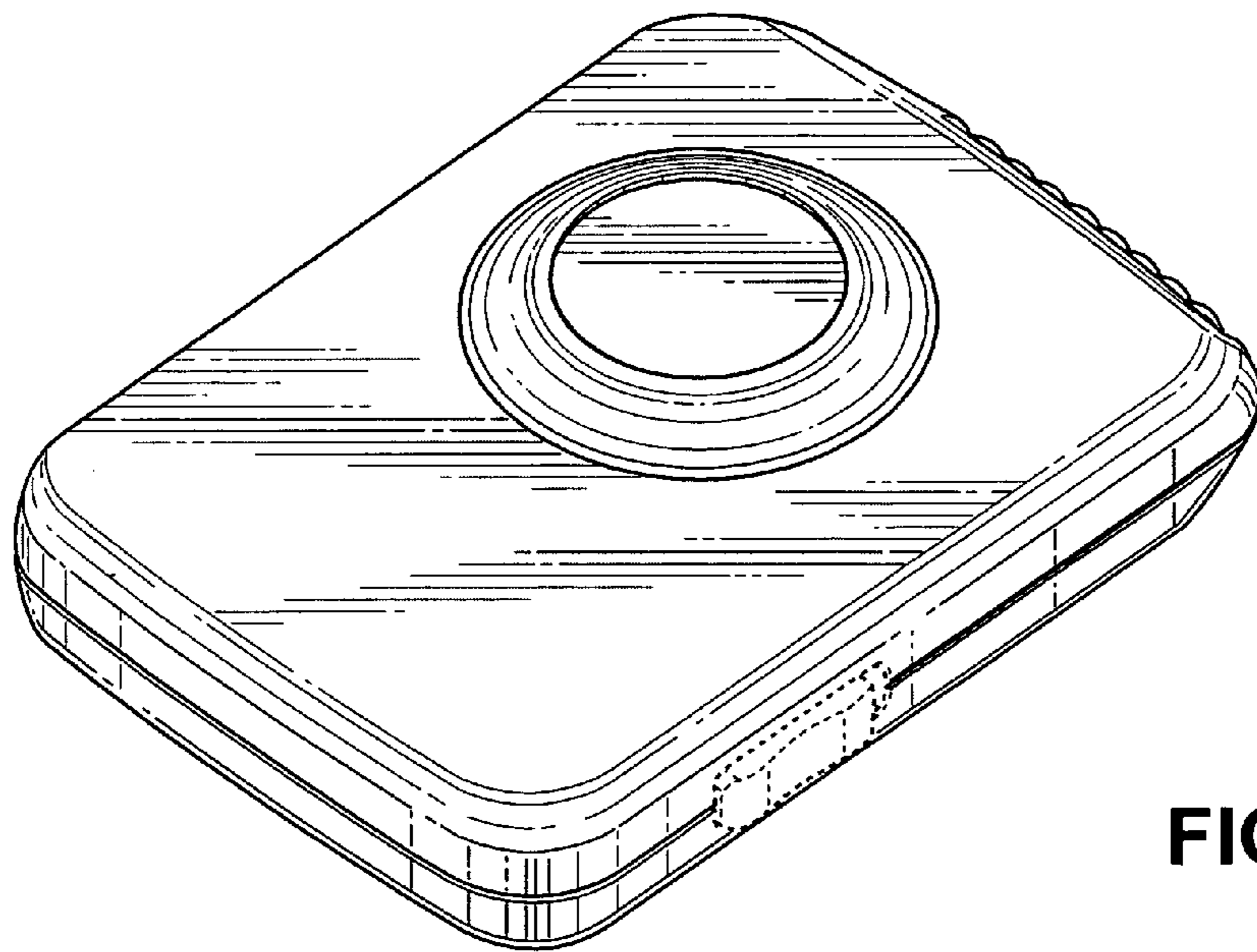


FIG. 2

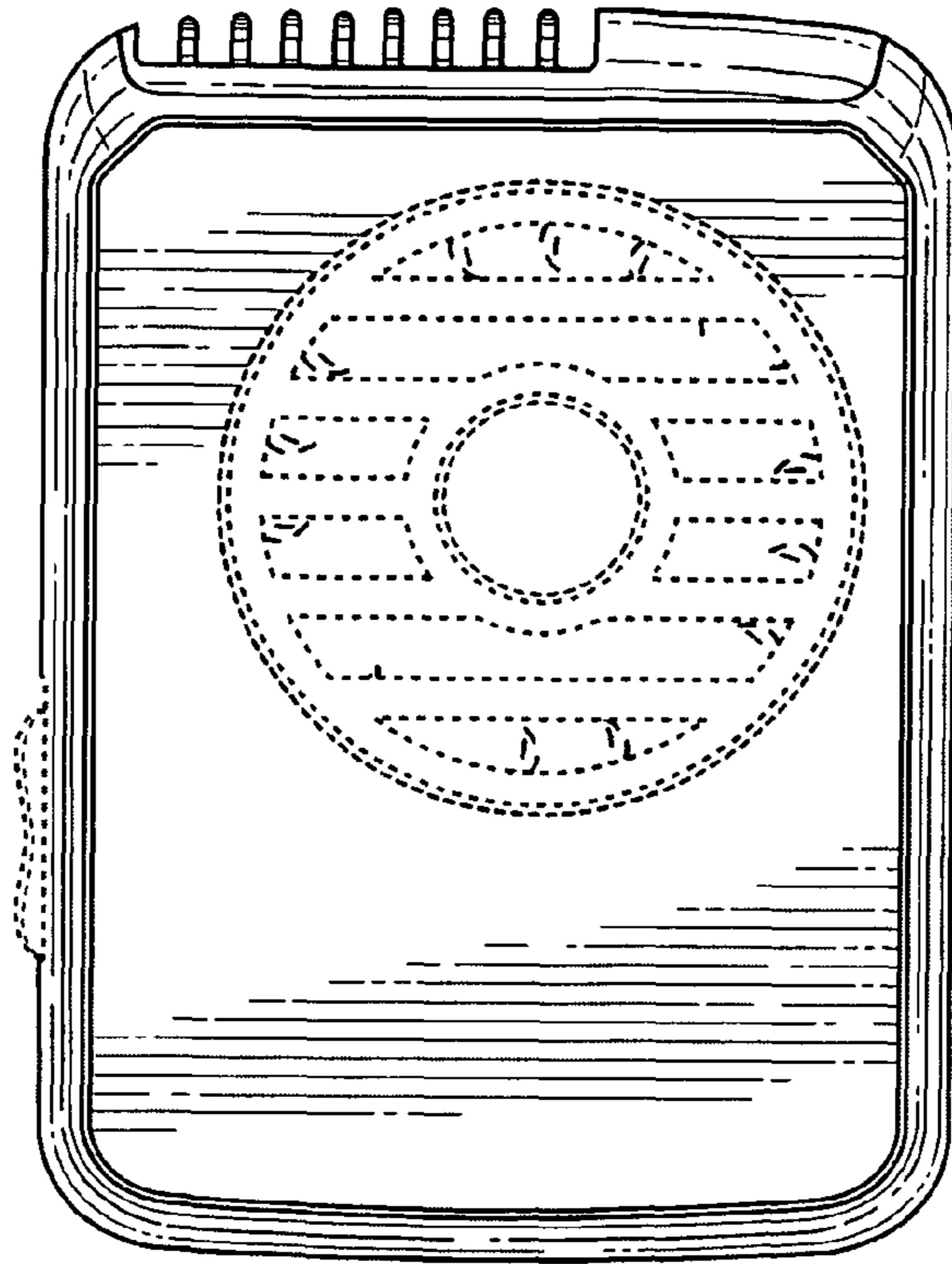


FIG. 3

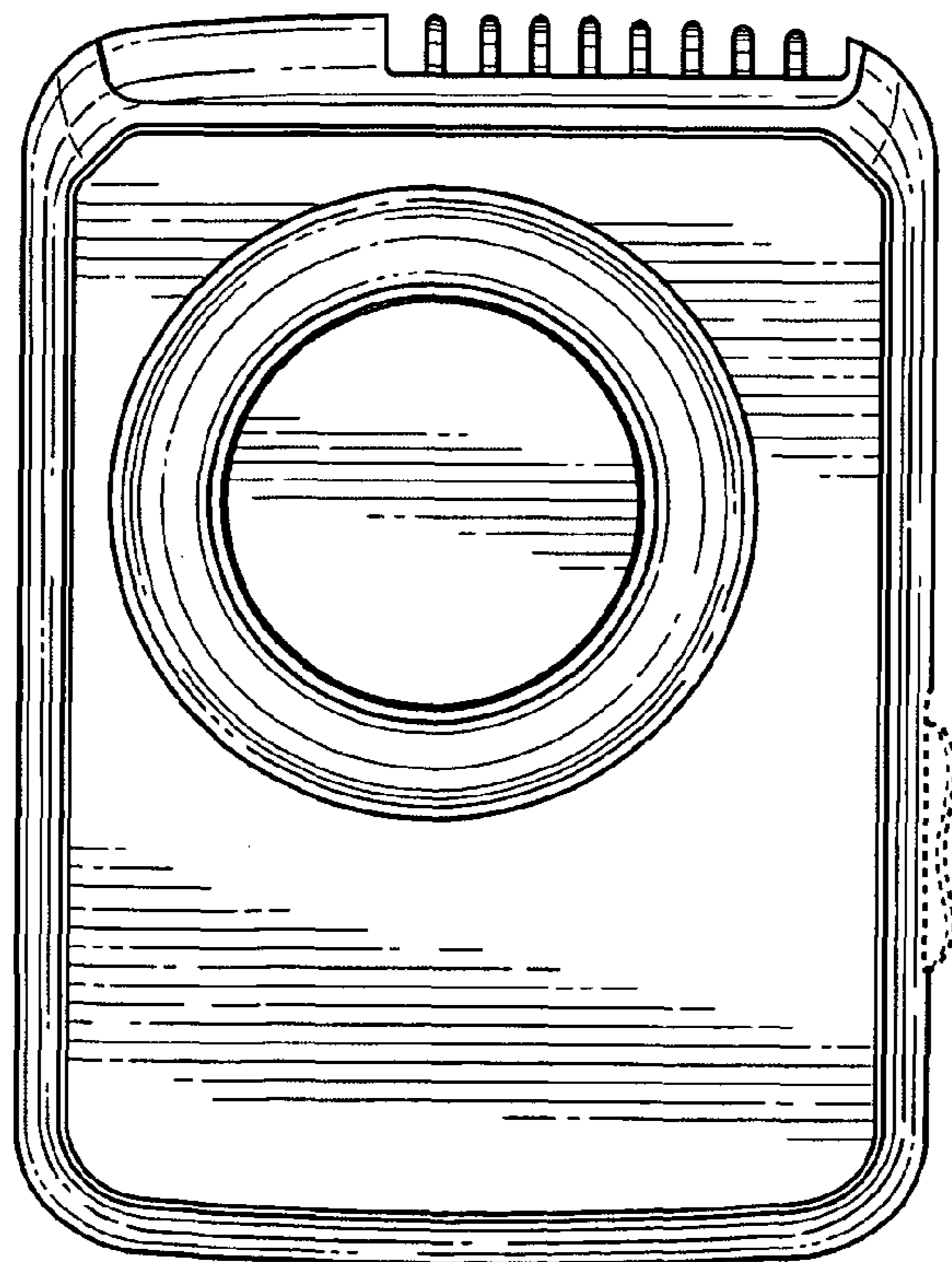


FIG. 4

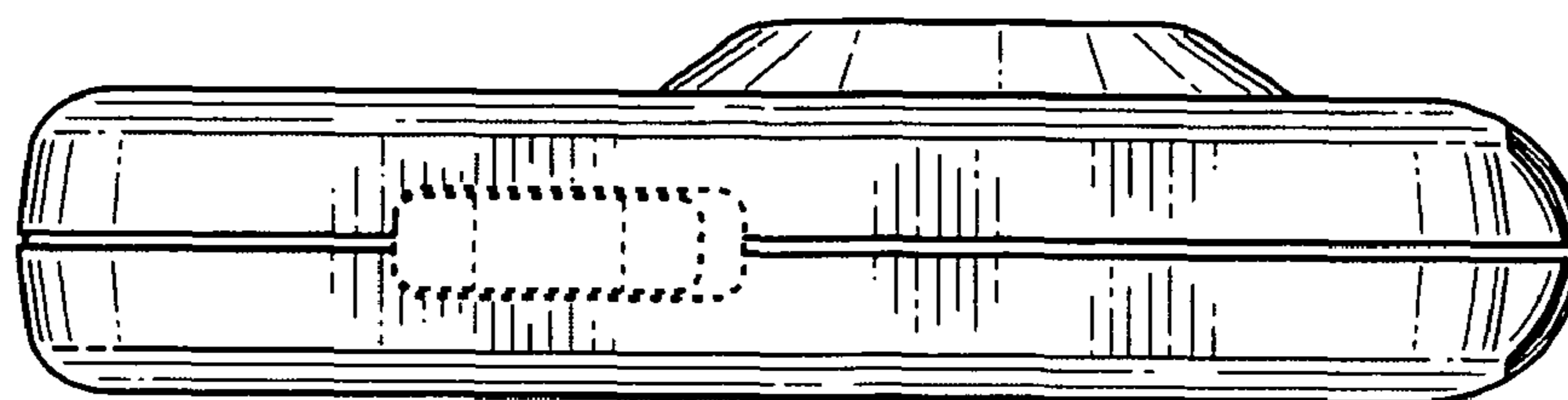


FIG. 5

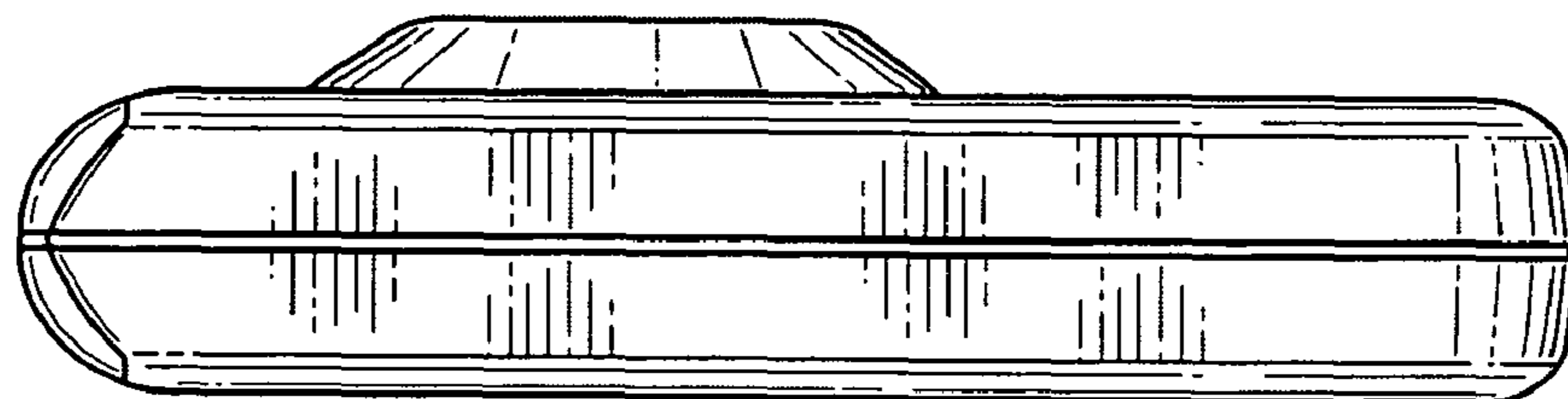


FIG. 6

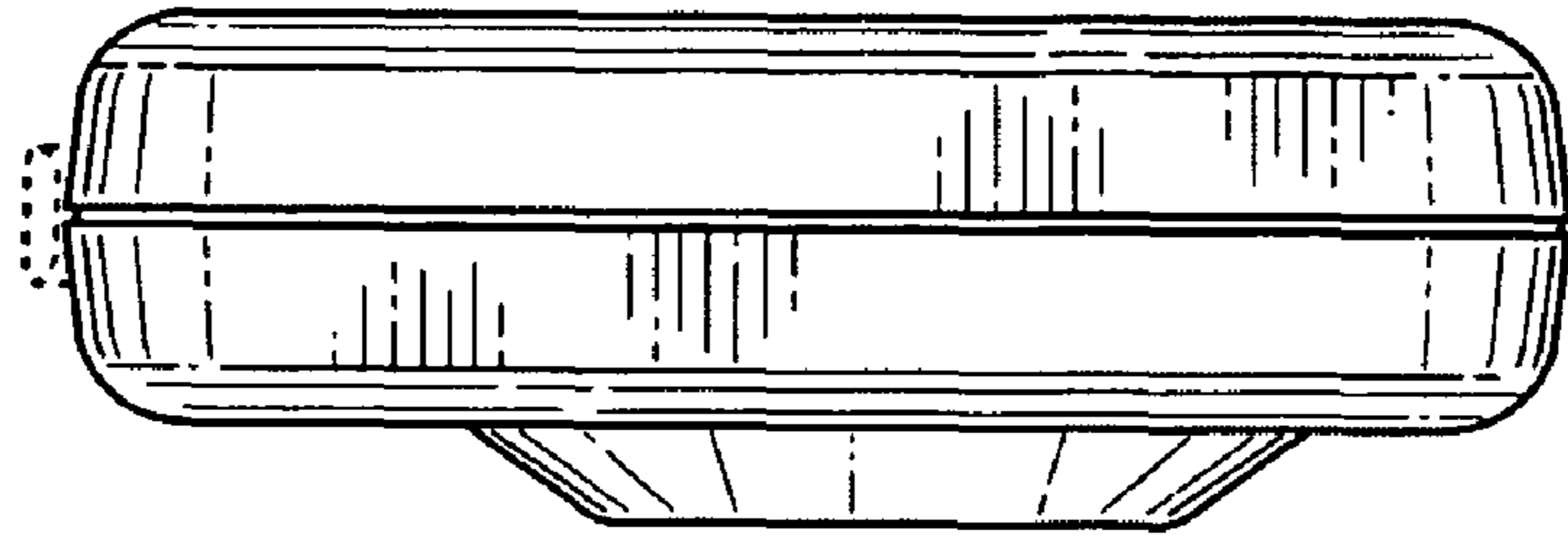


FIG. 7

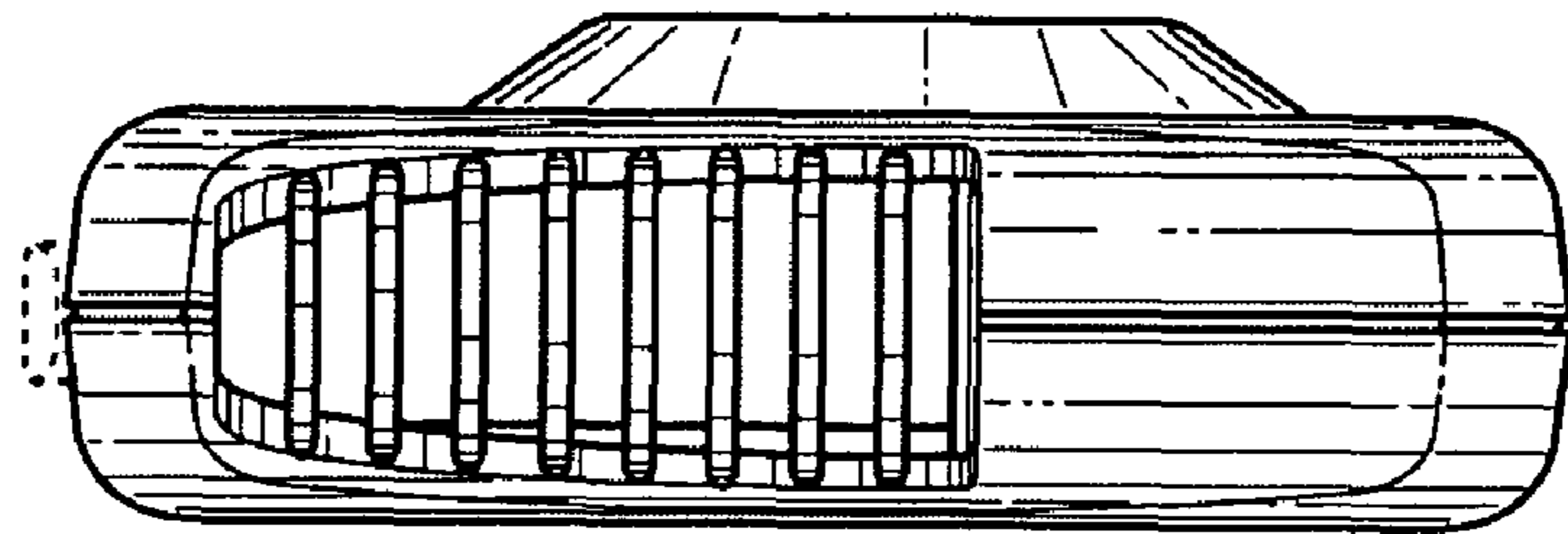


FIG. 8