



US00D676118S

(12) **United States Design Patent**  
**Hansen**

(10) **Patent No.:** **US D676,118 S**  
(45) **Date of Patent:** **\*\* Feb. 12, 2013**

(54) **HEAT EXCHANGER PANEL**

(75) Inventor: **Pål Francis Hansen**, Vesterøy (NO)

(73) Assignee: **Hiform AS**, Vesteroy (NO)

(\*\*) Term: **14 Years**

(21) Appl. No.: **29/409,211**

(22) Filed: **Dec. 21, 2011**

(30) **Foreign Application Priority Data**

Jun. 24, 2011 (NO) ..... 20110497

(51) **LOC (9) Cl.** ..... **23-03**

(52) **U.S. Cl.** ..... **D23/330**

(58) **Field of Classification Search** ..... D23/314,  
D23/322, 323, 330; 60/641.7; 165/170,  
165/135

See application file for complete search history.

(56) **References Cited**

**U.S. PATENT DOCUMENTS**

3,291,206 A \* 12/1966 Terence ..... 165/166  
4,476,855 A \* 10/1984 Benfield ..... 126/624

D317,500 S \* 6/1991 Ueda ..... D23/386  
2011/0220340 A1 \* 9/2011 Eriksson ..... 165/185  
2012/0125582 A1 \* 5/2012 Hansen ..... 165/170

\* cited by examiner

*Primary Examiner* — T. Chase Nelson

*Assistant Examiner* — Ania Aman

(74) *Attorney, Agent, or Firm* — Birch, Stewart, Kolasch & Birch, LLP

(57) **CLAIM**

The ornamental design for a heat exchanger panel, as shown and described.

**DESCRIPTION**

FIG. 1 is a front view of a heat exchanger panel showing my new design;

FIG. 2 is a top view thereof;

FIG. 3 is a top, right perspective view thereof;

FIG. 4 is a bottom view thereof;

FIG. 5 is a bottom, left perspective view thereof;

FIG. 6 is a rear view thereof;

FIG. 7 is a left side view thereof; and,

FIG. 8 is a right side view thereof.

**1 Claim, 6 Drawing Sheets**

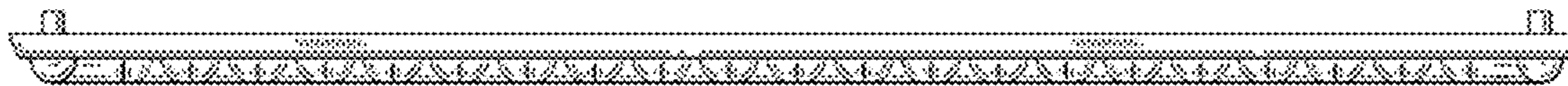




FIG. 1



FIG. 6

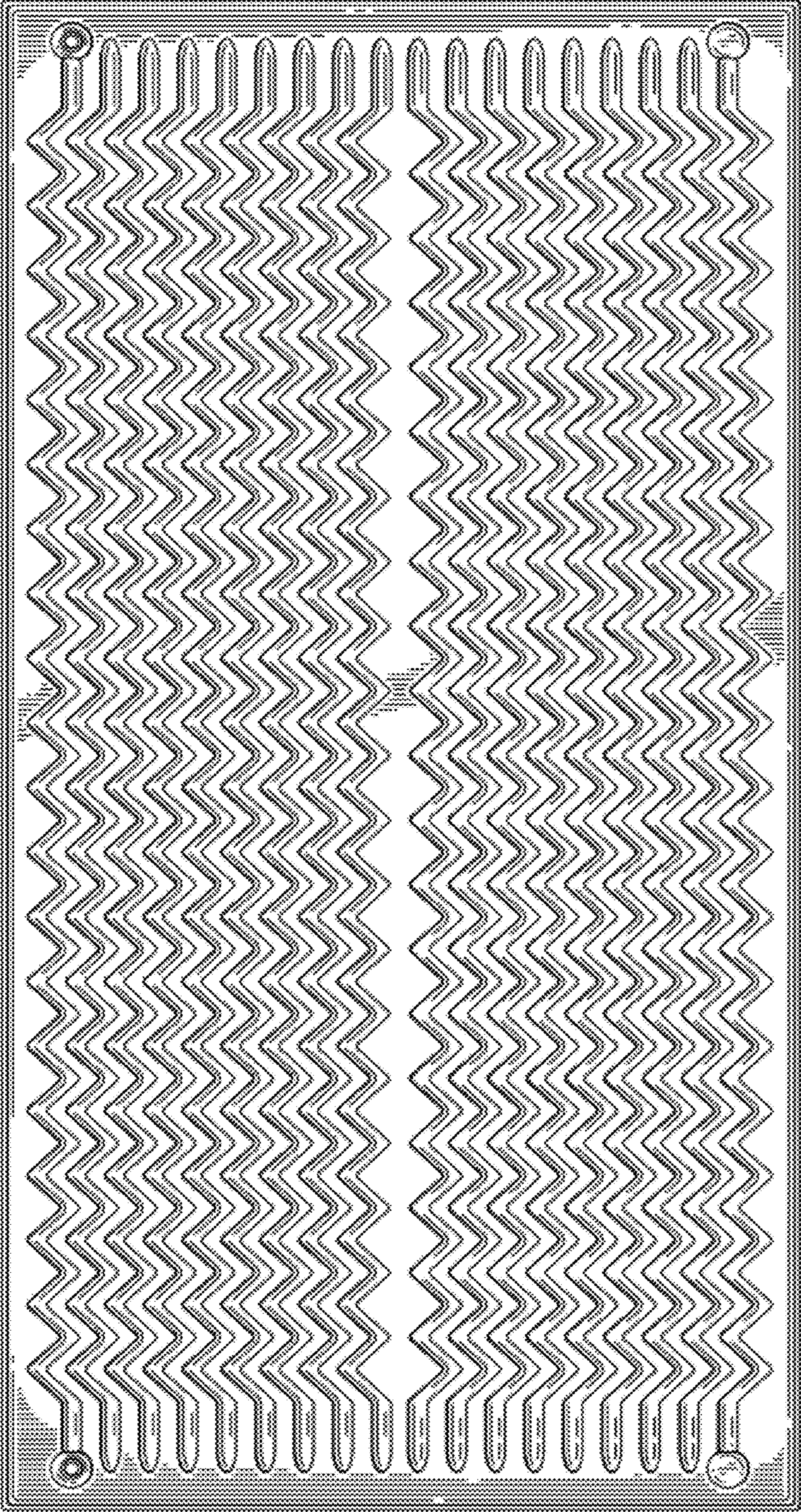


FIG.2

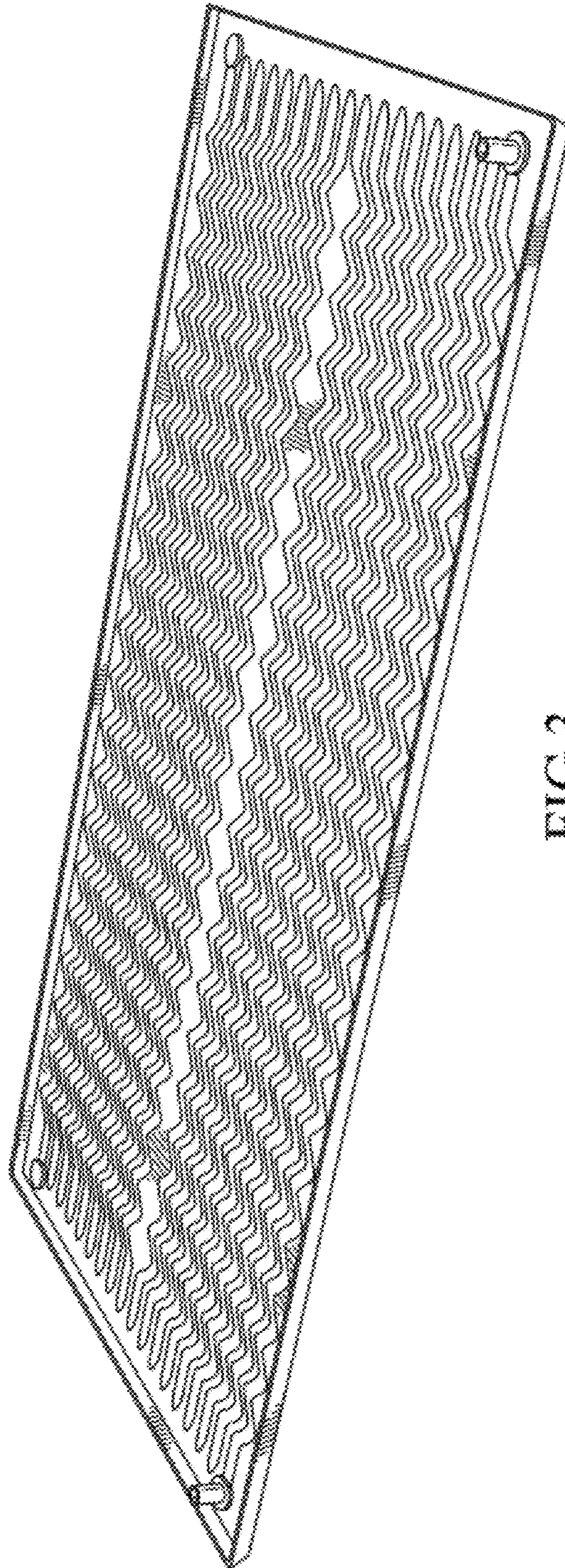


FIG.3

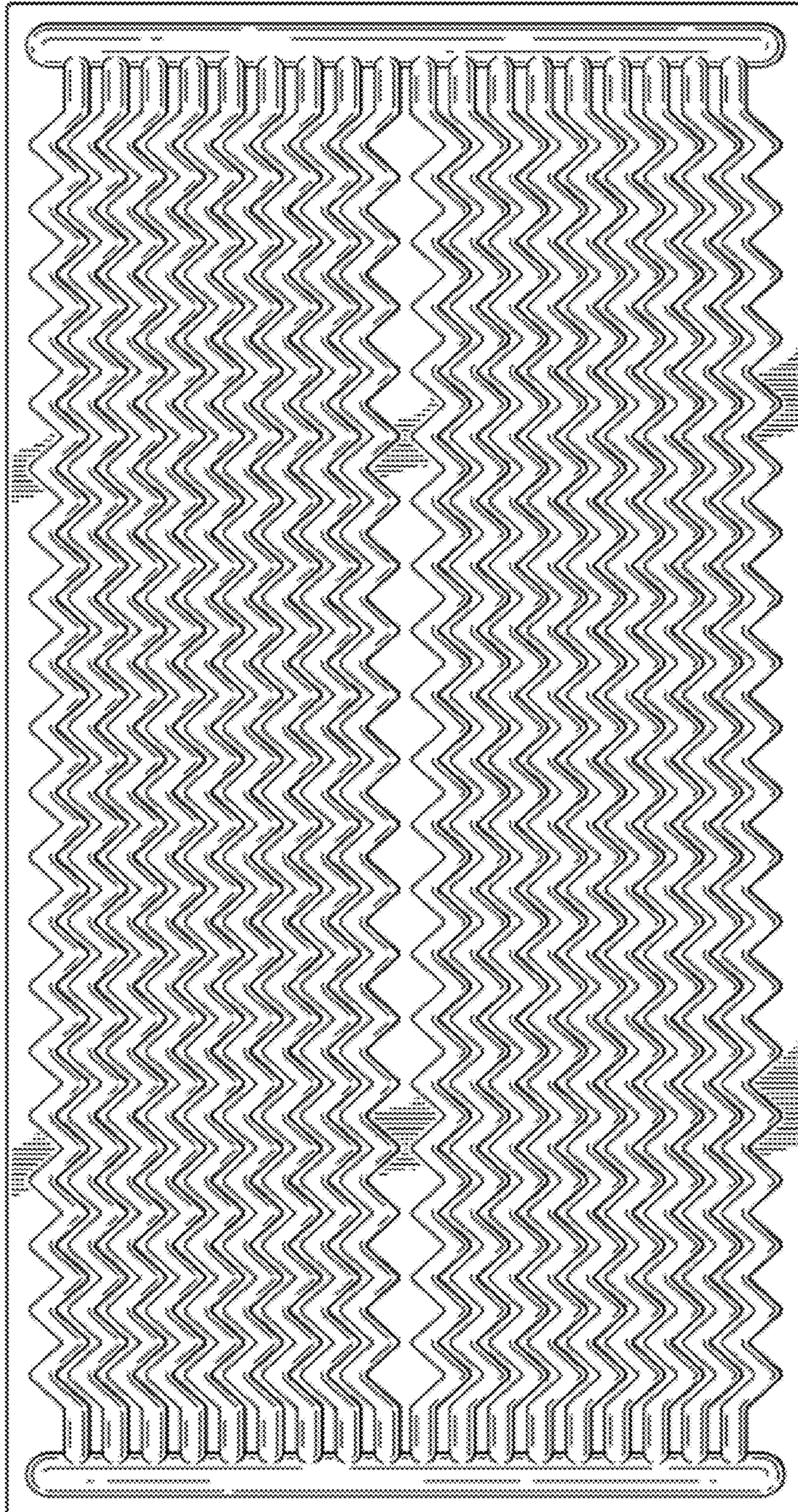


FIG. 4

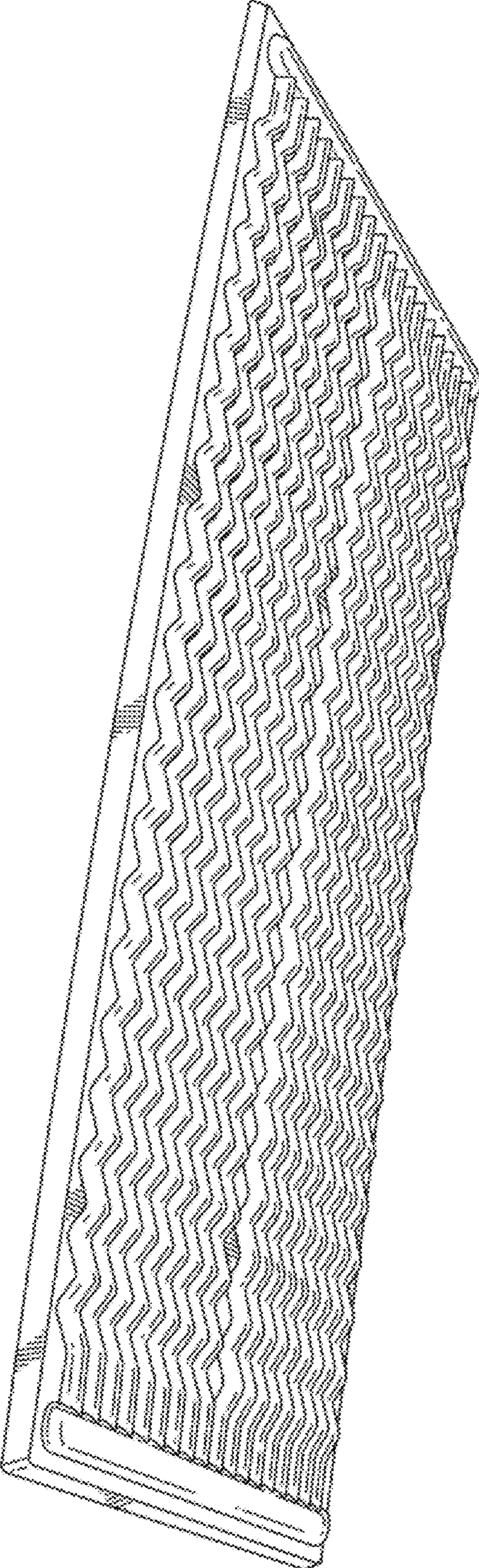


FIG.5



FIG. 7

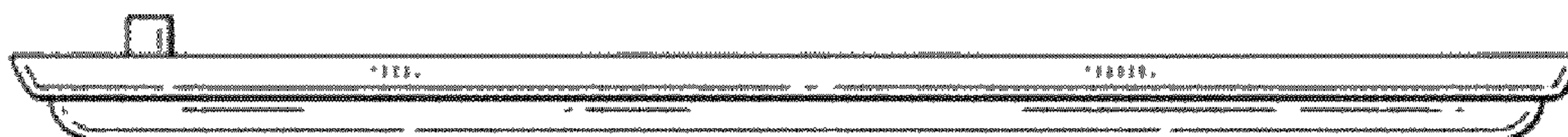


FIG. 8