



US00D676116S

(12) **United States Design Patent**
Lord

(10) **Patent No.:** **US D676,116 S**

(45) **Date of Patent:** **** Feb. 12, 2013**

(54) **FAUCET KNOB**

D442,264 S * 5/2001 Mullenmeister D23/252
D460,532 S * 7/2002 Marcichow et al. D23/252
D578,612 S * 10/2008 Burrows D23/238

(75) Inventor: **Judd Lord**, Fishers, IN (US)

* cited by examiner

(73) Assignee: **Masco Corporation of Indiana**,
Indianapolis, IN (US)

Primary Examiner — Robert Delehanty

(**) Term: **14 Years**

(74) *Attorney, Agent, or Firm* — Edgar A. Zarins; Nirav D. Parikh; Lora J. Graentzdoerffer

(21) Appl. No.: **29/418,139**

(22) Filed: **Apr. 12, 2012**

(51) **LOC (9) Cl.** **23-01**

(52) **U.S. Cl.** **D23/252**

(58) **Field of Classification Search** D23/238-243,
D23/250, 252, 254, 249, 245; 4/675-678;
137/801

See application file for complete search history.

(57) **CLAIM**

The ornamental design for a faucet knob, as shown and described.

DESCRIPTION

FIG. 1 is a perspective view of a faucet knob showing my new design;

FIG. 2 is a top plan view thereof;

FIG. 3 is a rear view thereof;

FIG. 4 is a first side view thereof, the opposite side being a mirror image of the side shown; and,

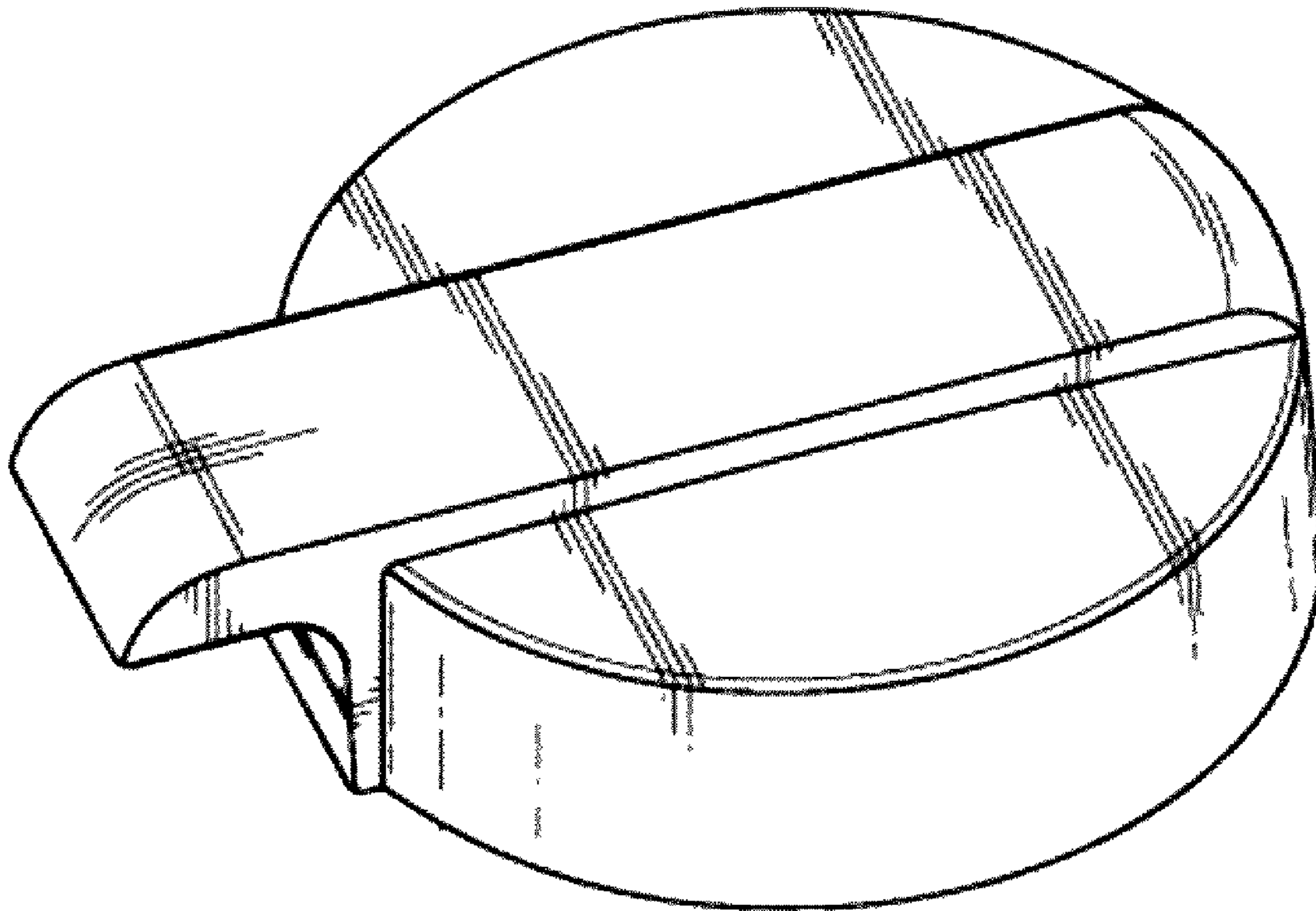
FIG. 5 is a front view thereof.

(56) **References Cited**

U.S. PATENT DOCUMENTS

D416,607 S * 11/1999 Gottwald D23/238
D428,641 S * 7/2000 Mullenmeister D23/250

1 Claim, 1 Drawing Sheet



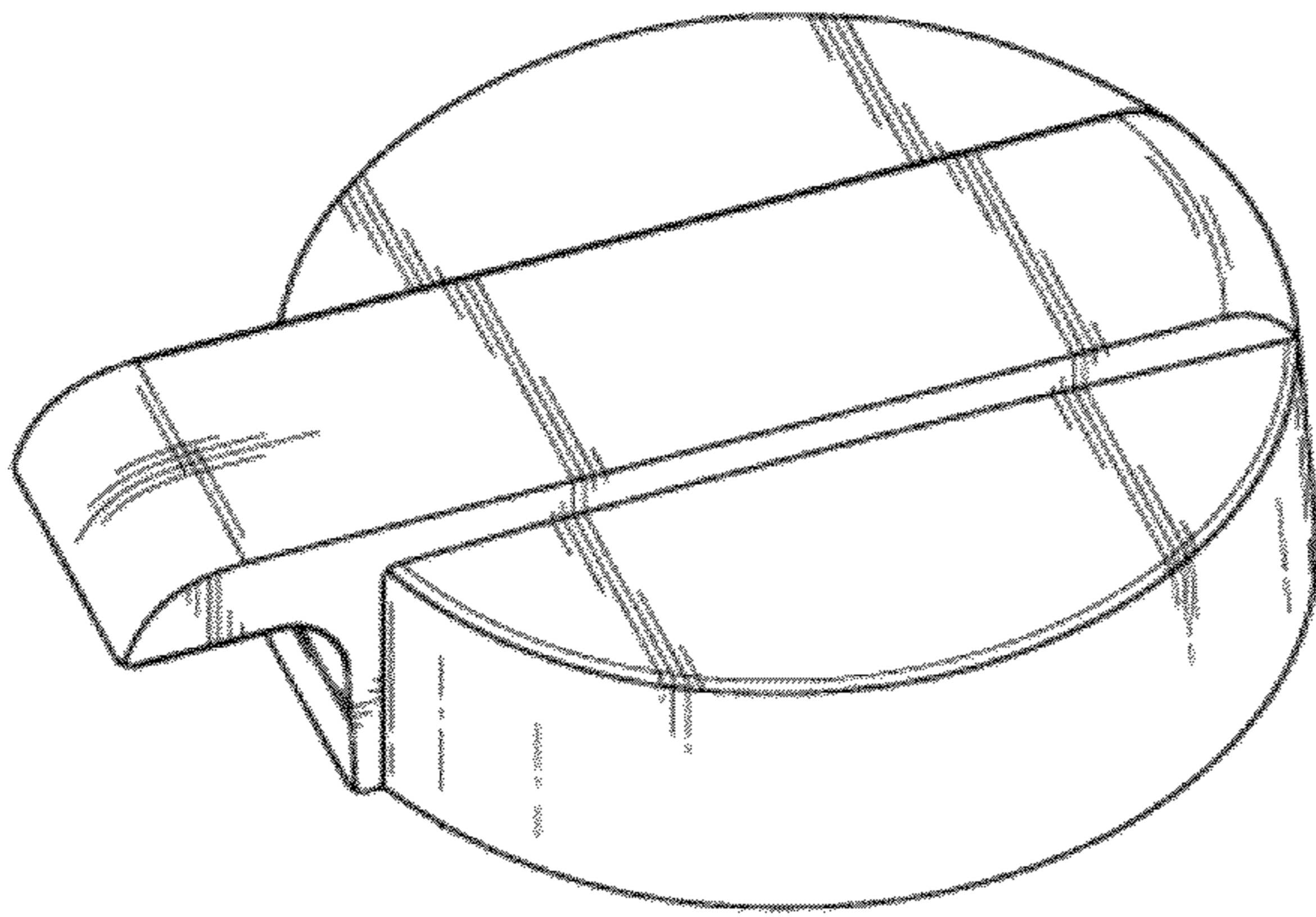


Fig-1

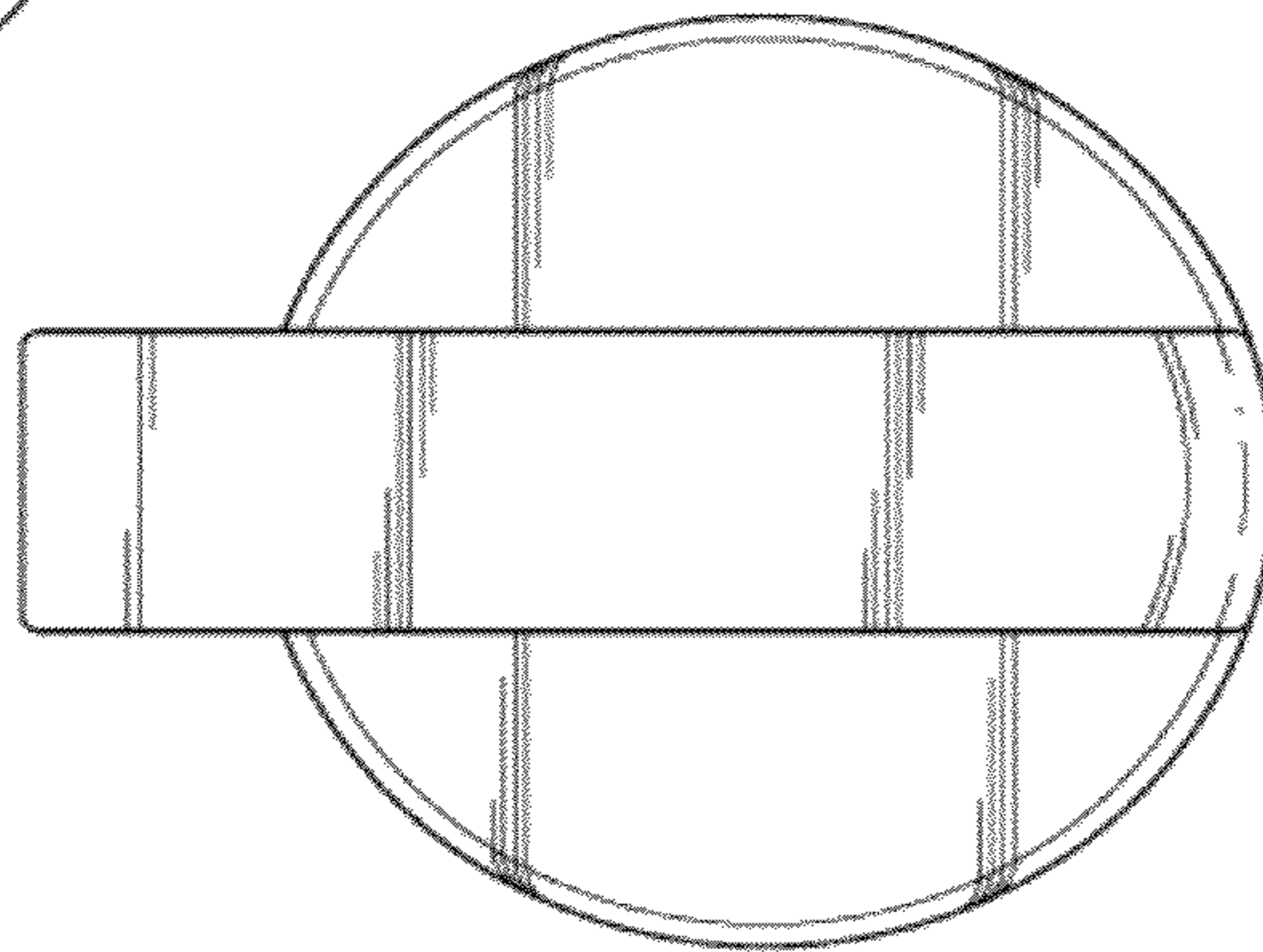


Fig-2

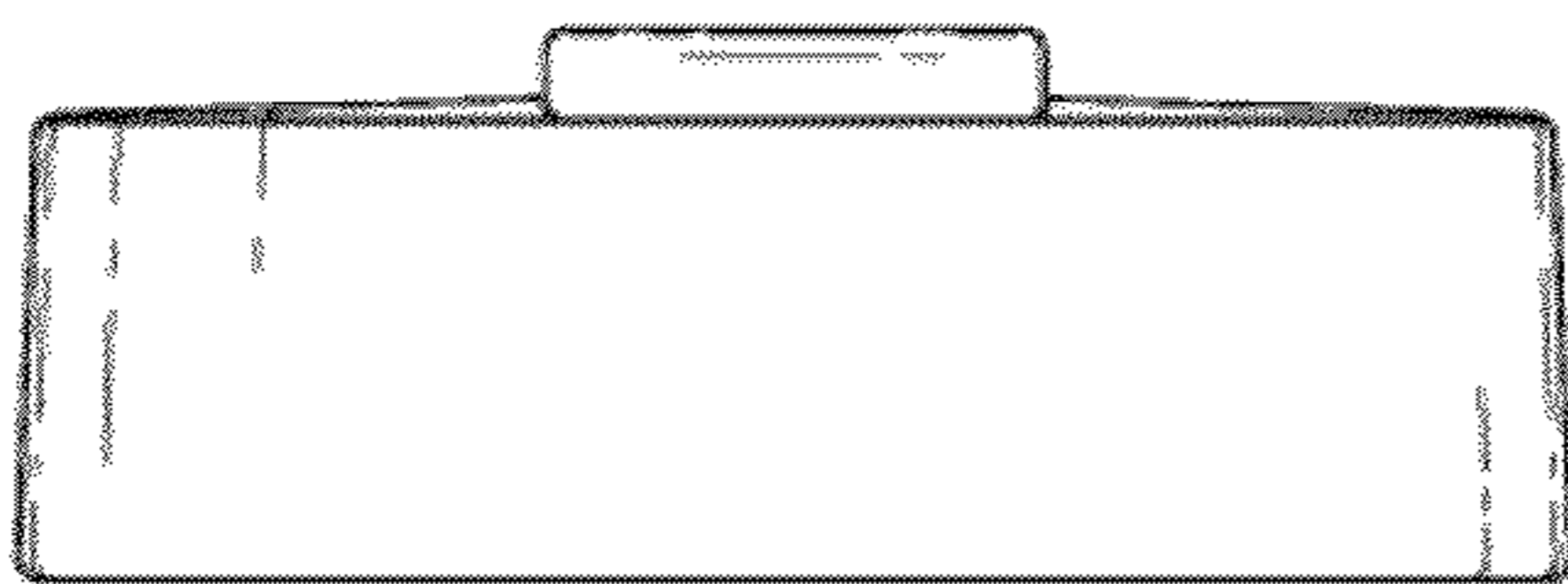


Fig-3

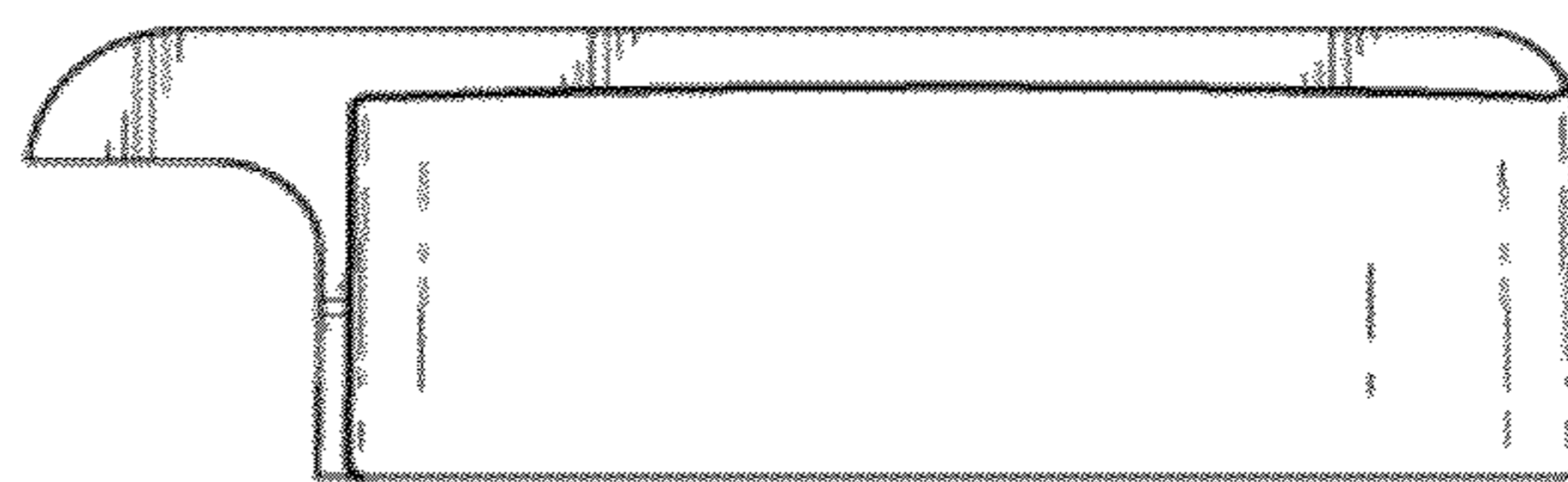


Fig-4

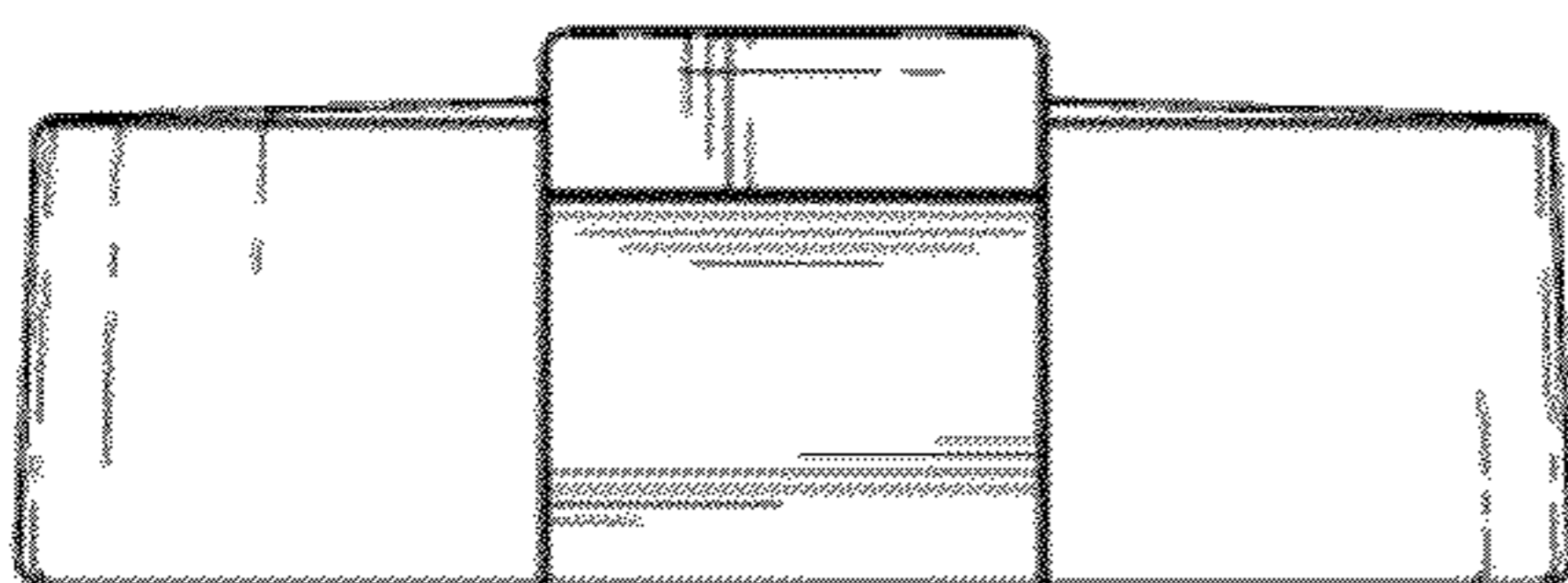


Fig-5