



US00D676113S

(12) **United States Design Patent**
Wallace

(10) **Patent No.:** **US D676,113 S**

(45) **Date of Patent:** **** Feb. 12, 2013**

(54) **SPRINKLER CONTROL ROD**

(76) Inventor: **Patrick David Wallace**, Sparks, NV
(US)

(**) Term: **14 Years**

(21) Appl. No.: **29/389,475**

(22) Filed: **Apr. 12, 2011**

(51) **LOC (9) Cl.** **23-01**

(52) **U.S. Cl.** **D23/245**

(58) **Field of Classification Search** D7/591;
D8/14, 27; D23/245, 249, 250; 251/291-293;
137/368-369; 239/201
See application file for complete search history.

(56) **References Cited**

U.S. PATENT DOCUMENTS

338,102	A *	3/1886	Payne	137/369
525,268	A *	8/1894	Hayes	137/368
729,672	A *	6/1903	Sack	251/288
1,410,846	A *	3/1922	Stewart	123/556
1,569,644	A *	1/1926	Taylor	251/292
2,054,978	A *	9/1936	Hoelscher	403/306
2,116,770	A *	5/1938	Scillia	137/326
3,095,148	A *	6/1963	Smith	239/97
3,584,511	A	6/1971	Collins	
3,635,106	A *	1/1972	Homs	81/124.6
3,656,793	A	4/1972	Mathews	
3,758,038	A *	9/1973	Ridgway	239/206
3,861,249	A	1/1975	Lindquist	
D245,916	S *	9/1977	Thede	D23/250
4,573,378	A *	3/1986	McDonald	81/463
D346,958	S *	5/1994	Olson	D32/35
D347,982	S *	6/1994	Perez	D8/21
5,638,590	A	6/1997	Silano	
5,839,665	A *	11/1998	DiVittorio	239/310
6,364,285	B1 *	4/2002	Stinnett	251/293
6,450,479	B1 *	9/2002	Reynolds et al.	251/291

6,776,068	B2	8/2004	Reuschel et al.	
7,000,897	B2	2/2006	Chick	
D524,909	S *	7/2006	Bakke et al.	D23/233
7,311,020	B2	12/2007	George	
8,147,085	B2 *	4/2012	Pieren	362/119
2006/0011881	A1 *	1/2006	Leighton	251/291
2010/0006791	A1 *	1/2010	Reckker et al.	251/293

OTHER PUBLICATIONS

http://www.basicirrigation.com/product_info.php?cPath=23_319&products_id=1105&osC... Downloaded Sep. 23, 2012.*
<http://www.yardbutlerstore.com/shop/30-sprinkler-valve-key/>
Downloaded Sep. 23, 2012.*

* cited by examiner

Primary Examiner — Philip S Hyder

Assistant Examiner — Roselynn Cody

(74) *Attorney, Agent, or Firm* — QuickPatents; Kevin Prince

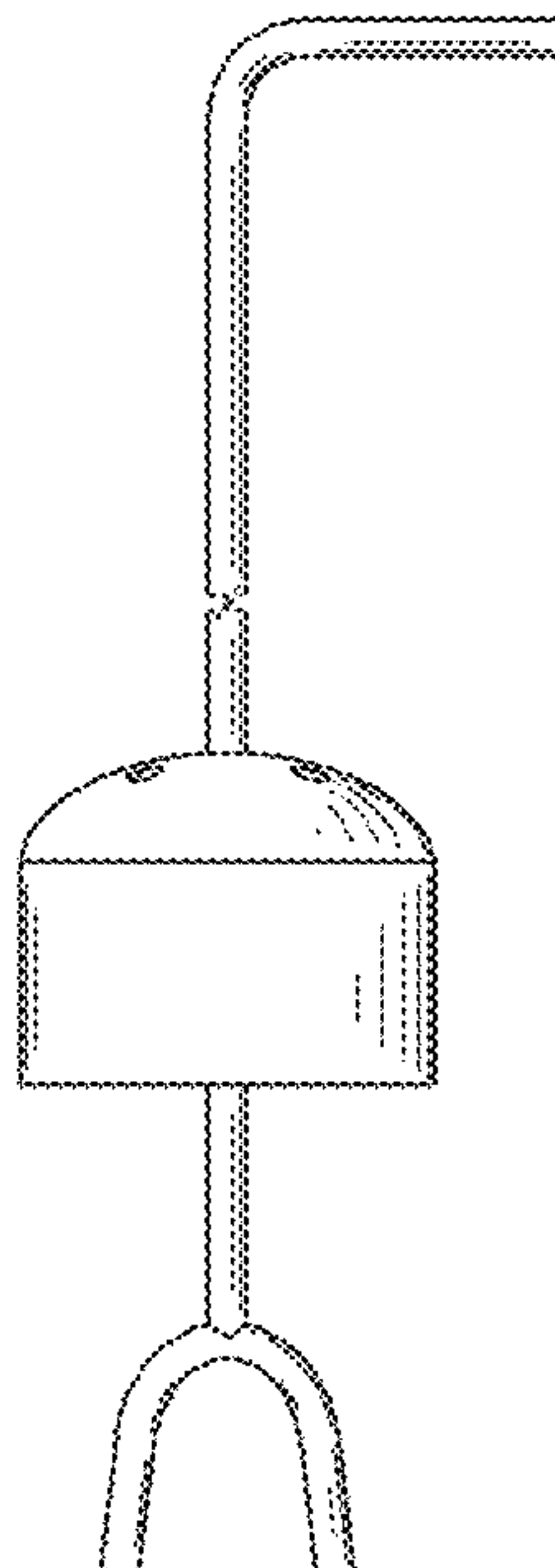
(57) **CLAIM**

The ornamental design for a sprinkler control rod, as shown and described.

DESCRIPTION

FIG. 1 is a perspective view of a sprinkler rod, showing the new design with a cap in a raised position;
FIG. 2 is a perspective view thereof, illustrated with the cap in a lowered position;
FIG. 3 is a front elevational view of FIG. 1;
FIG. 4 is a left-side elevational view of FIG. 1, the right-side elevational view being a mirror image thereof;
FIG. 5 is a rear elevational view of FIG. 1;
FIG. 6 is a top plan view of FIG. 1; and,
FIG. 7 is a bottom plan view of FIG. 1.
The empty area between the break lines in the rod forms no part of the claim.

1 Claim, 3 Drawing Sheets



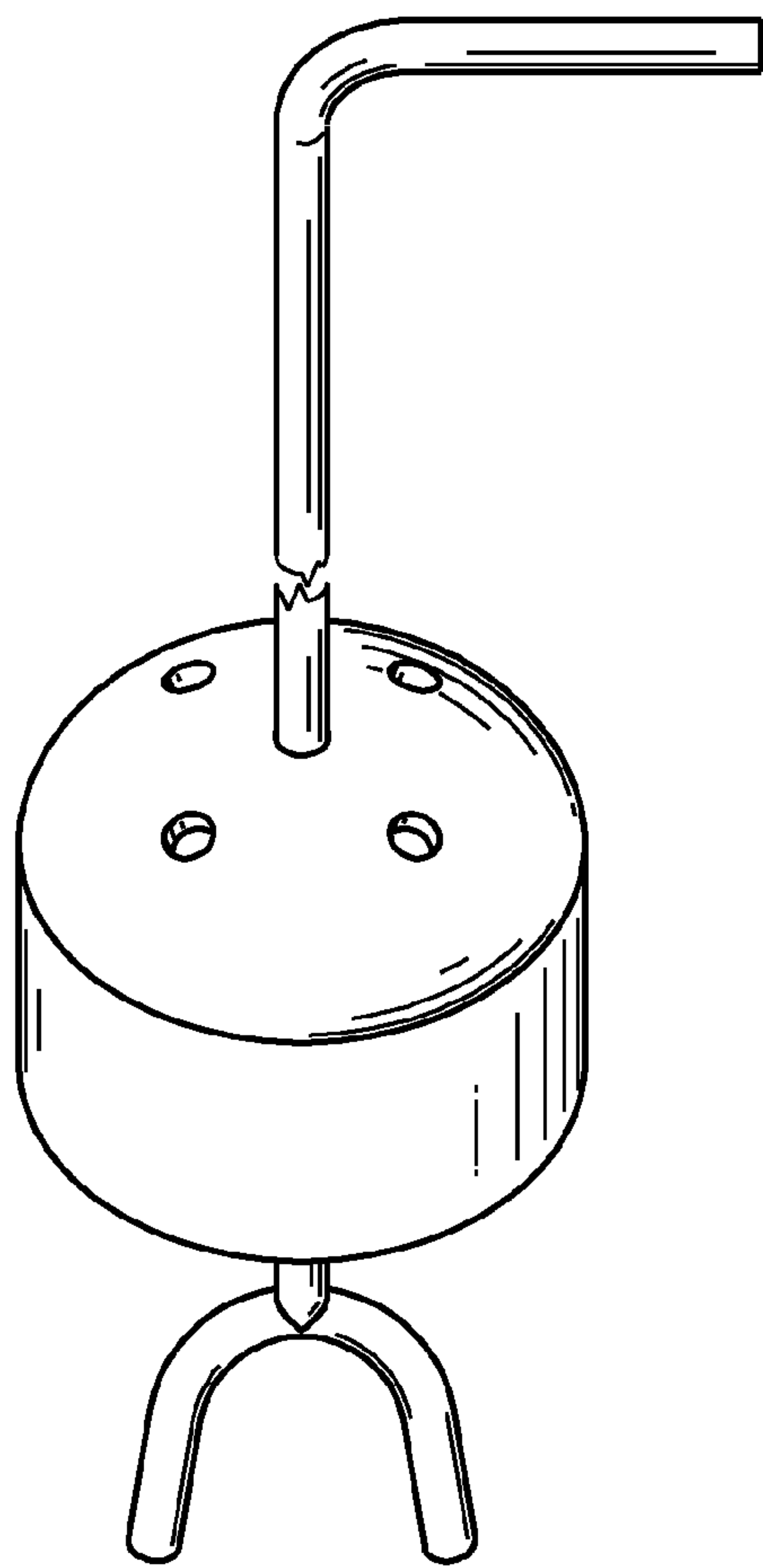


FIG. 1

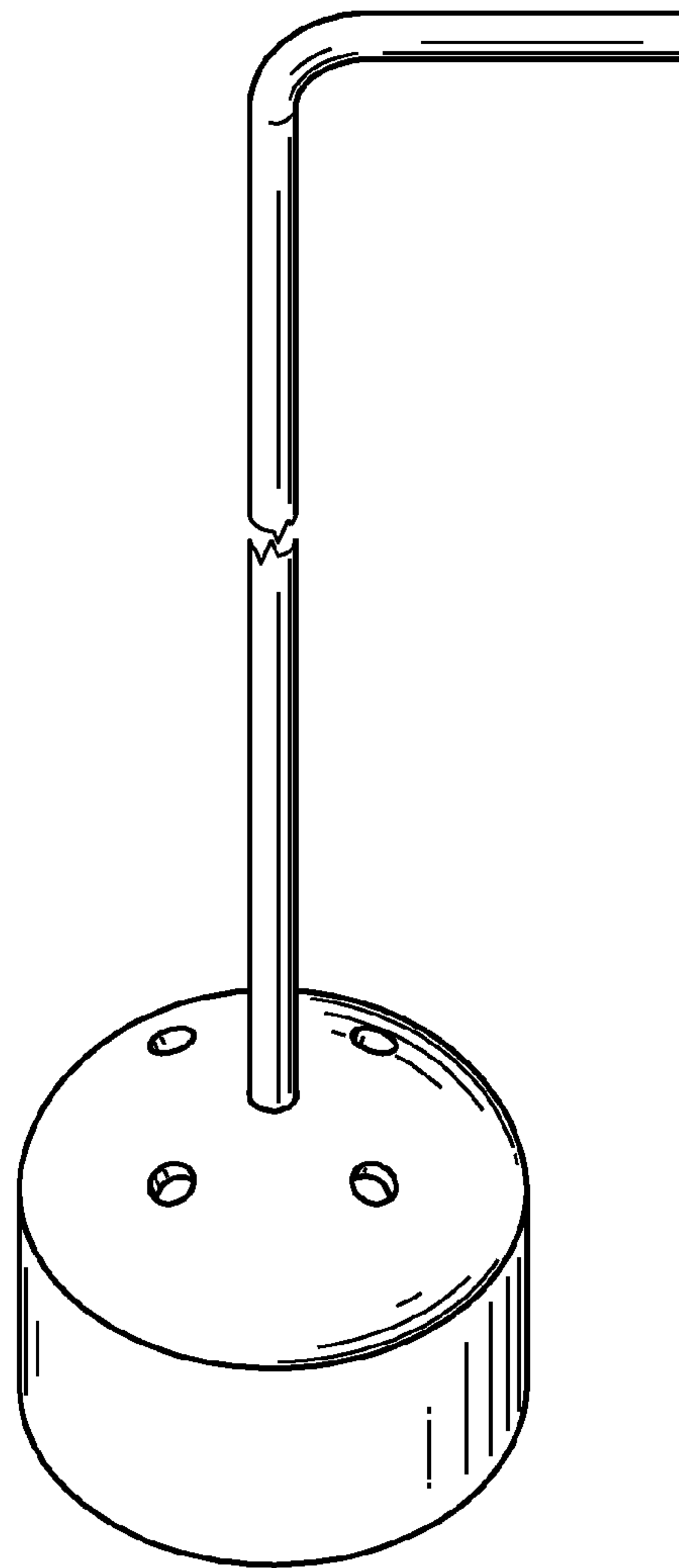


FIG. 2

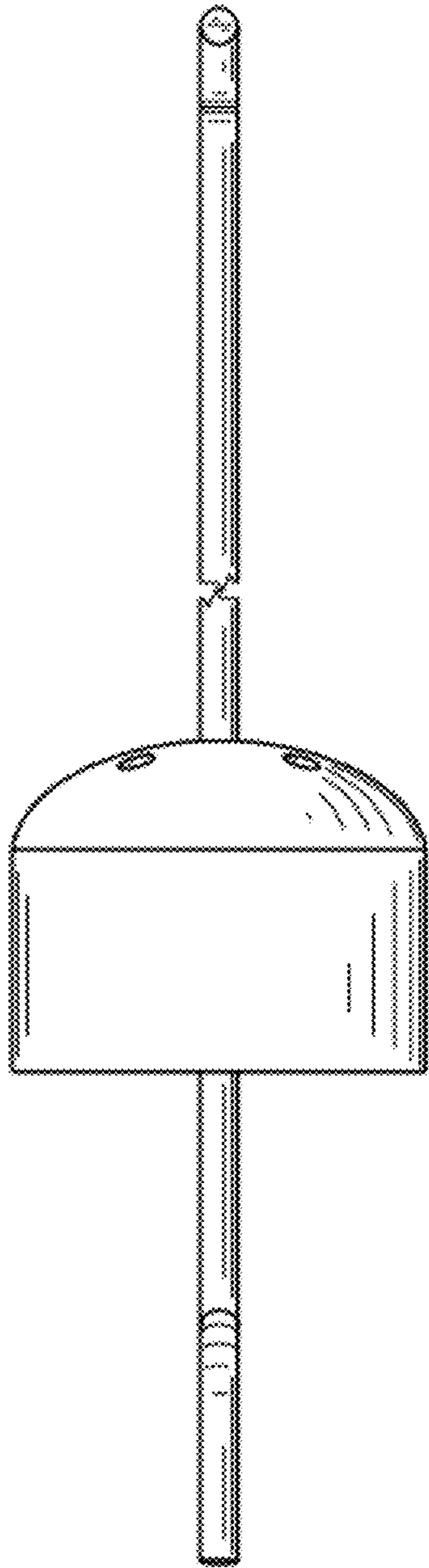


FIG. 3

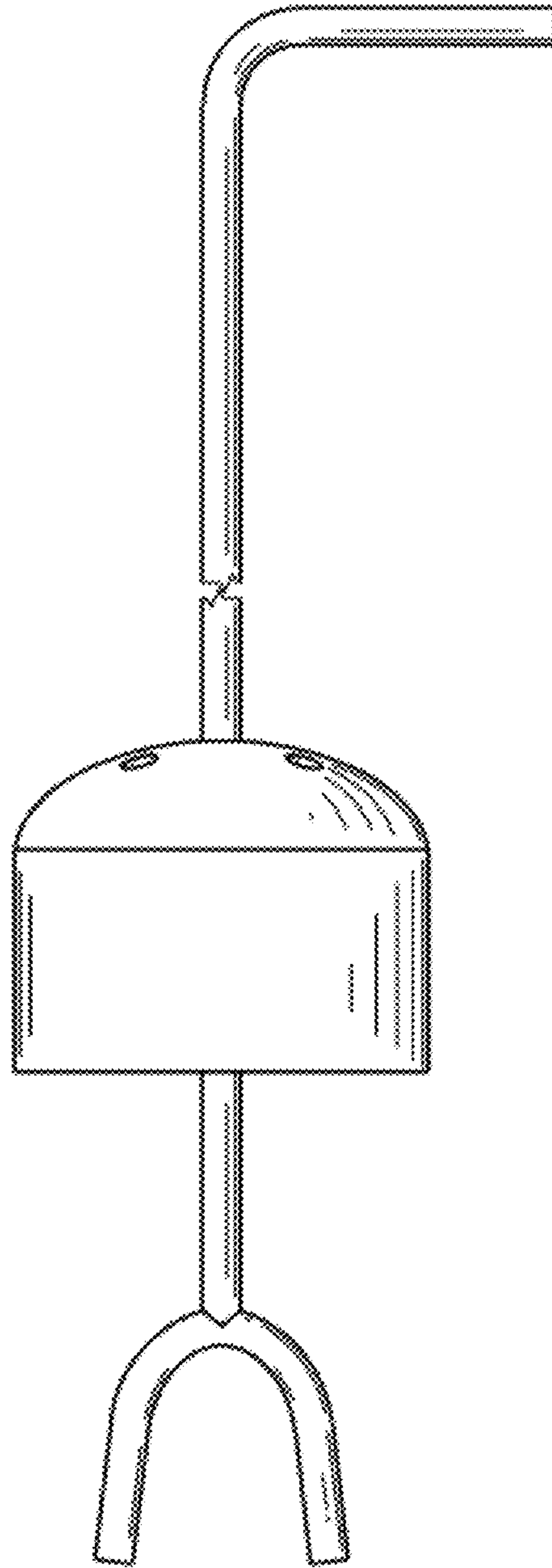


FIG. 4

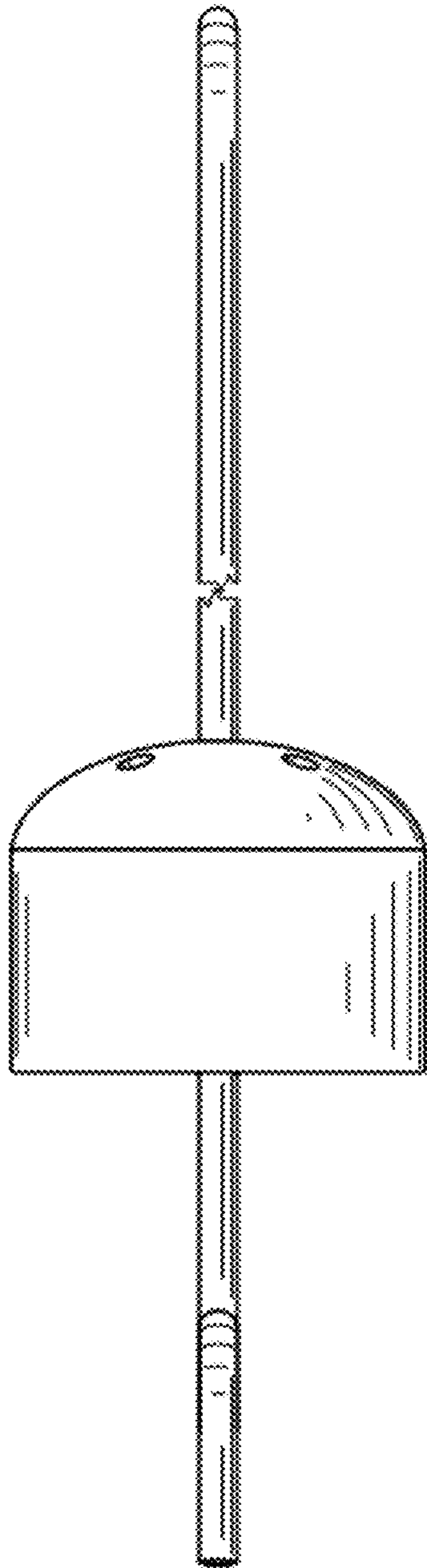


FIG. 5

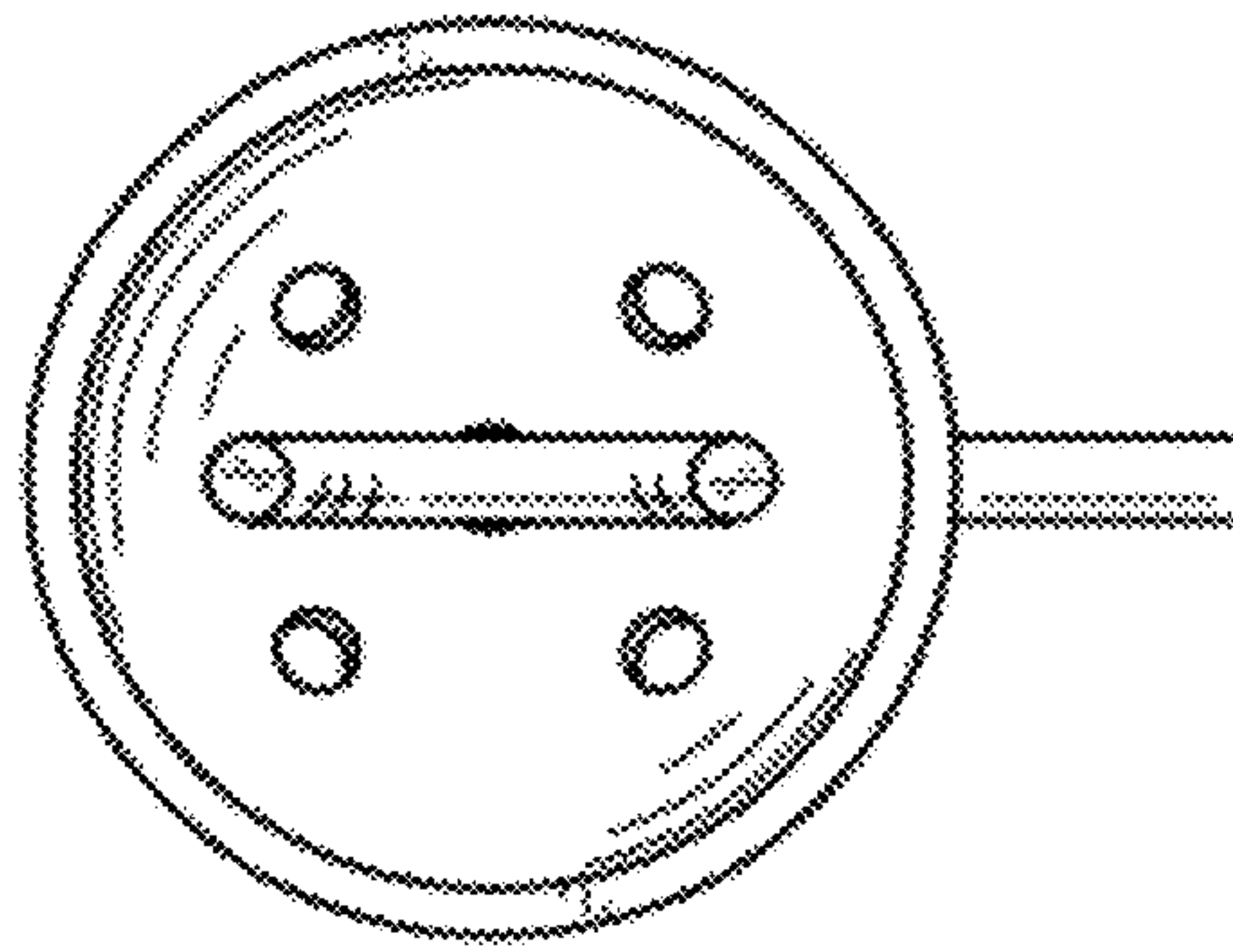


FIG. 6

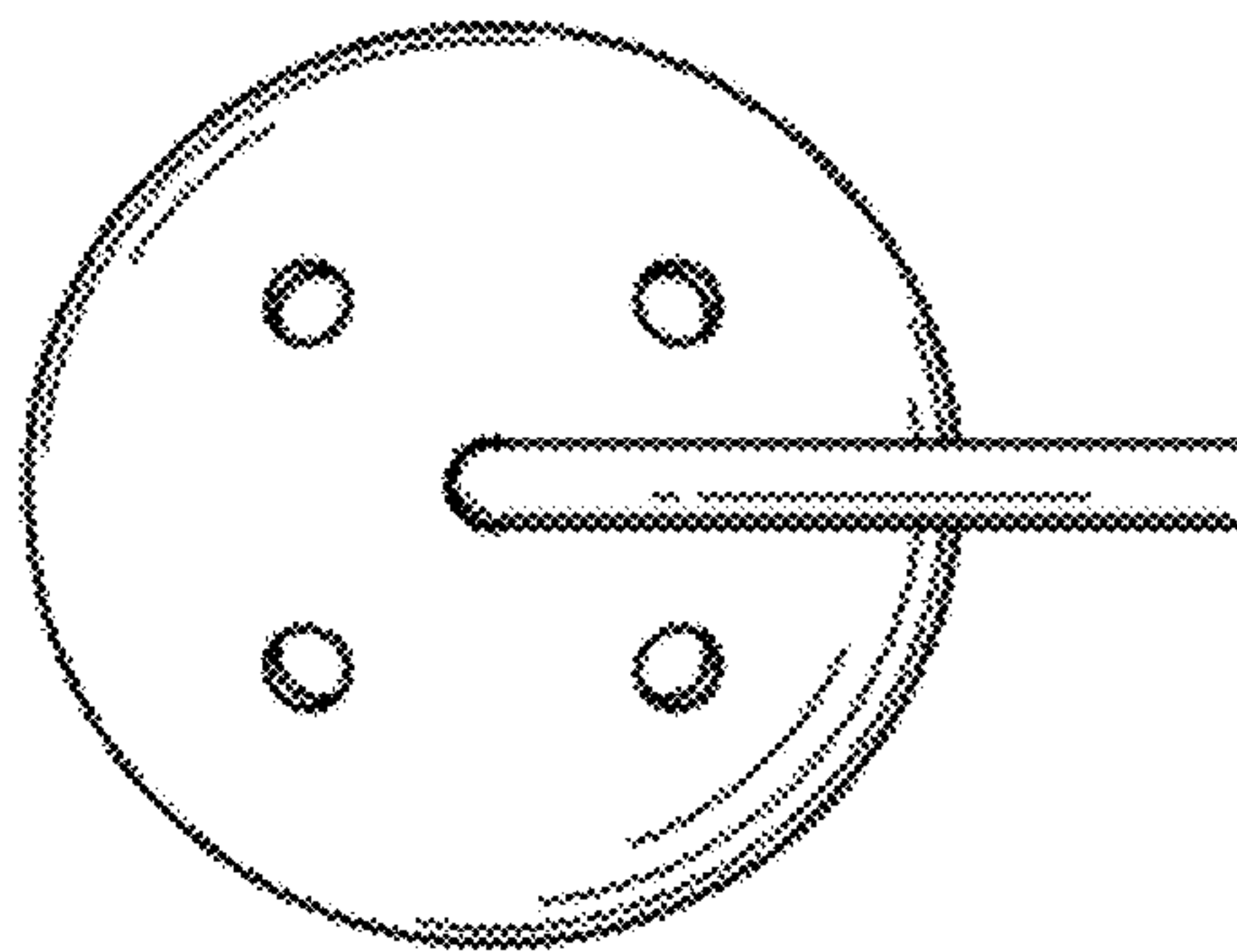


FIG. 7