

US00D676111S

(12) **United States Design Patent**
Fukano et al.

(10) **Patent No.:** **US D676,111 S**

(45) **Date of Patent:** **** Feb. 12, 2013**

(54) **SUCK BACK VALVE**

(75) Inventors: **Yoshihiro Fukano**, Tsukubamirai (JP);
Takamitsu Suzuki, Tsukubamirai (JP)

(73) Assignee: **SMC Corporation**, Chiyoda-ku, Tokyo
(JP)

(**) Term: **14 Years**

(21) Appl. No.: **29/386,608**

(22) Filed: **Mar. 3, 2011**

(30) **Foreign Application Priority Data**

Nov. 16, 2010 (JP) 2010-027524

(51) **LOC (9) Cl.** **23-01**

(52) **U.S. Cl.** **D23/233**

(58) **Field of Classification Search** D23/233-237;
239/119; 251/63.4, 63.5

See application file for complete search history.

(56) **References Cited**

U.S. PATENT DOCUMENTS

5,950,923 A * 9/1999 Fukano et al. 239/119

D460,148 S * 7/2002 Hayashi et al. D23/233

7,143,956 B2 * 12/2006 Fukano 239/119

7,637,440 B2 * 12/2009 Fukano et al. 239/119
D610,233 S * 2/2010 Kurisaki D23/233
D641,070 S * 7/2011 Fukano et al. D23/233
8,251,345 B2 * 8/2012 Inoue 251/63.4

* cited by examiner

Primary Examiner — Robin V Webster

(74) *Attorney, Agent, or Firm* — Yokoi & Co., U.S.A., Inc.;
Toshiyuki Yokoi

(57) **CLAIM**

The ornamental design for a suck back valve, as shown and described.

DESCRIPTION

FIG. 1 shows a front view of a suck back valve showing my new design;

FIG. 2 shows a rear view thereof;

FIG. 3 shows a right side view thereof;

FIG. 4 shows a left side view thereof;

FIG. 5 shows a top view thereof;

FIG. 6 shows a bottom view thereof; and,

FIG. 7 shows a top, front and left side perspective view thereof.

1 Claim, 6 Drawing Sheets

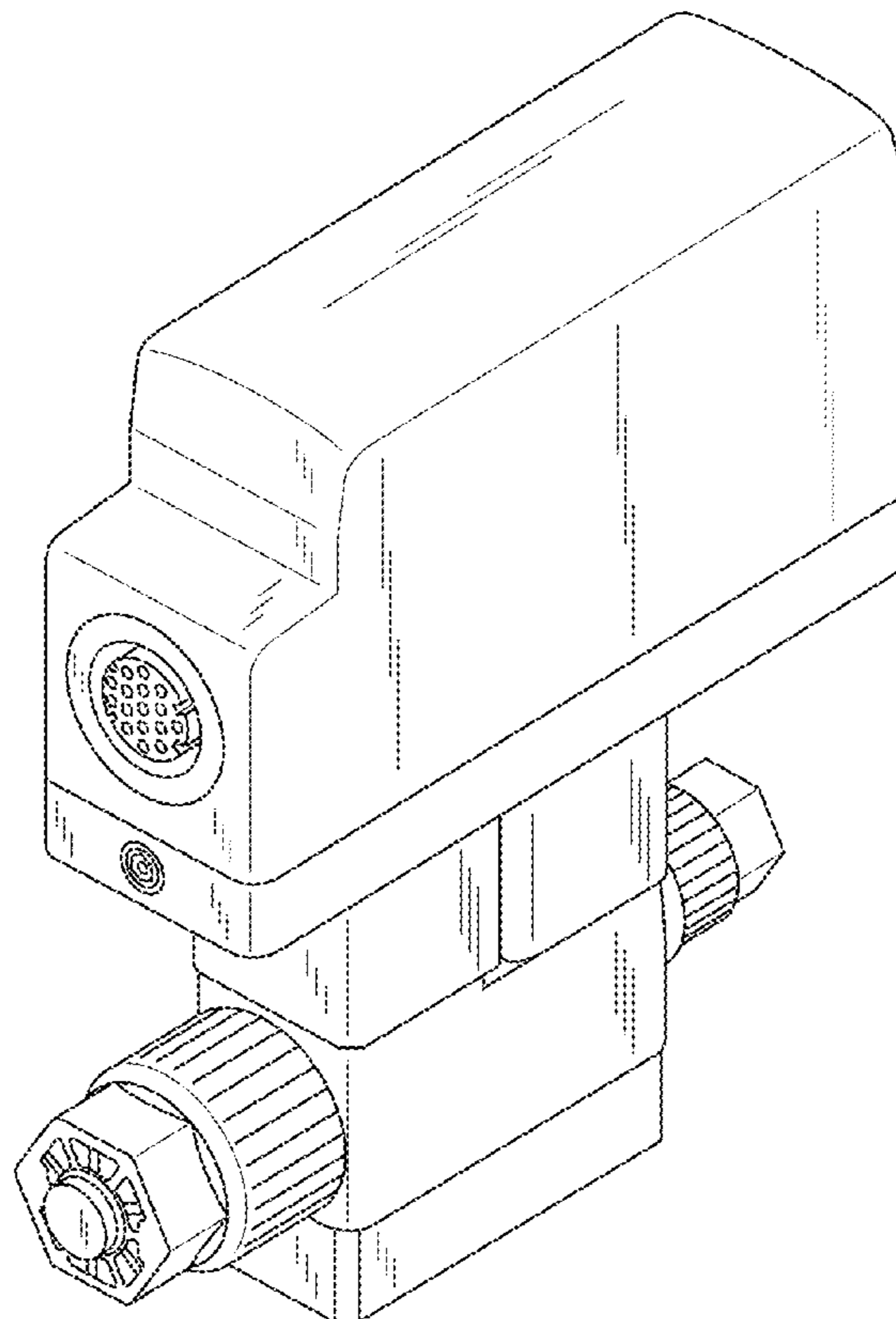


FIG. 1

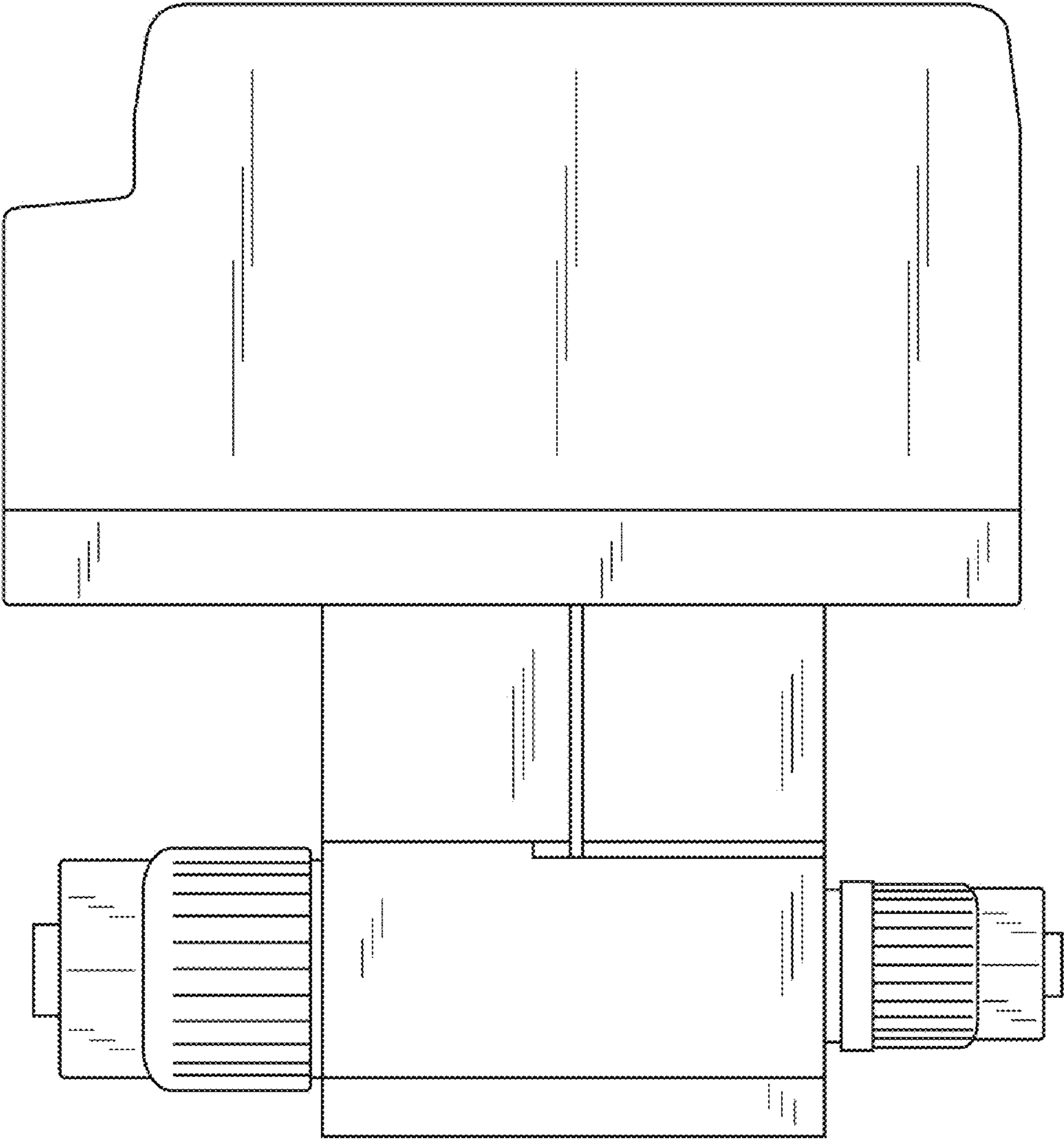


FIG. 2

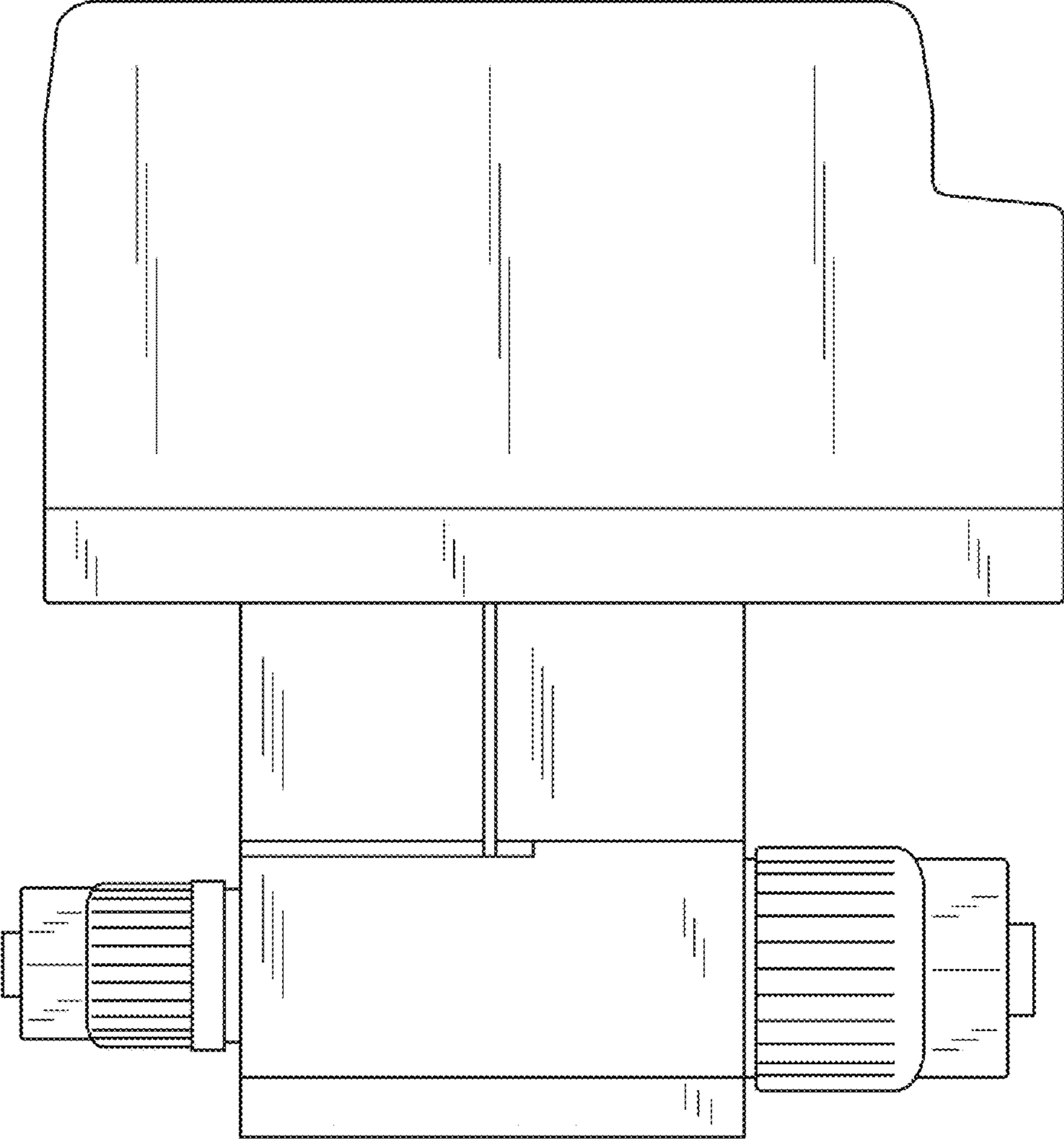


FIG. 3

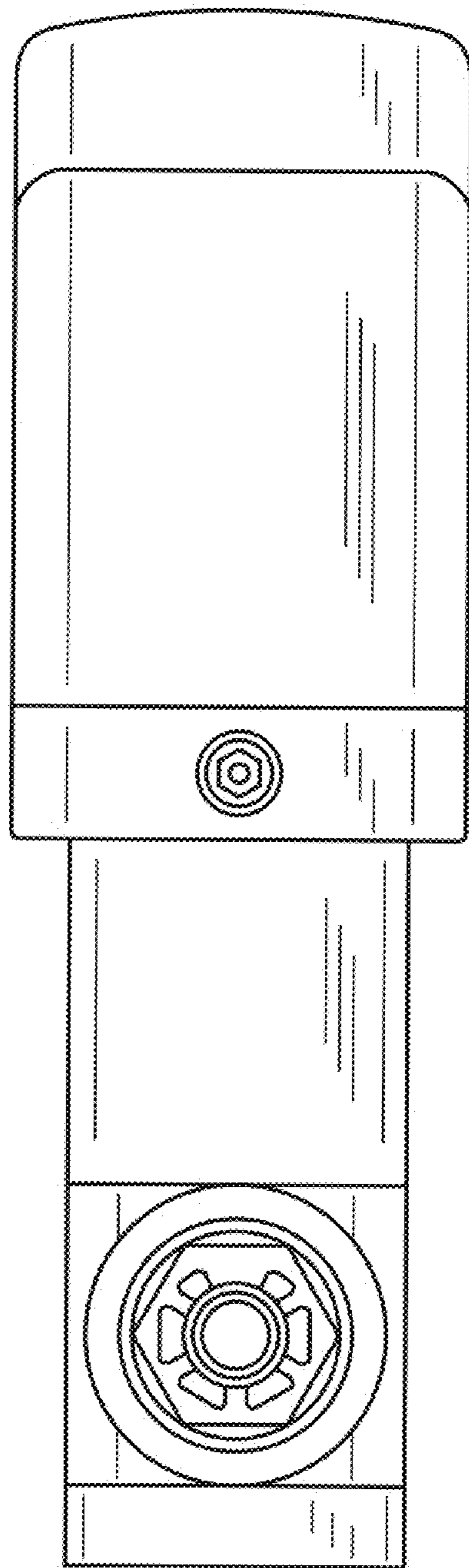


FIG. 4

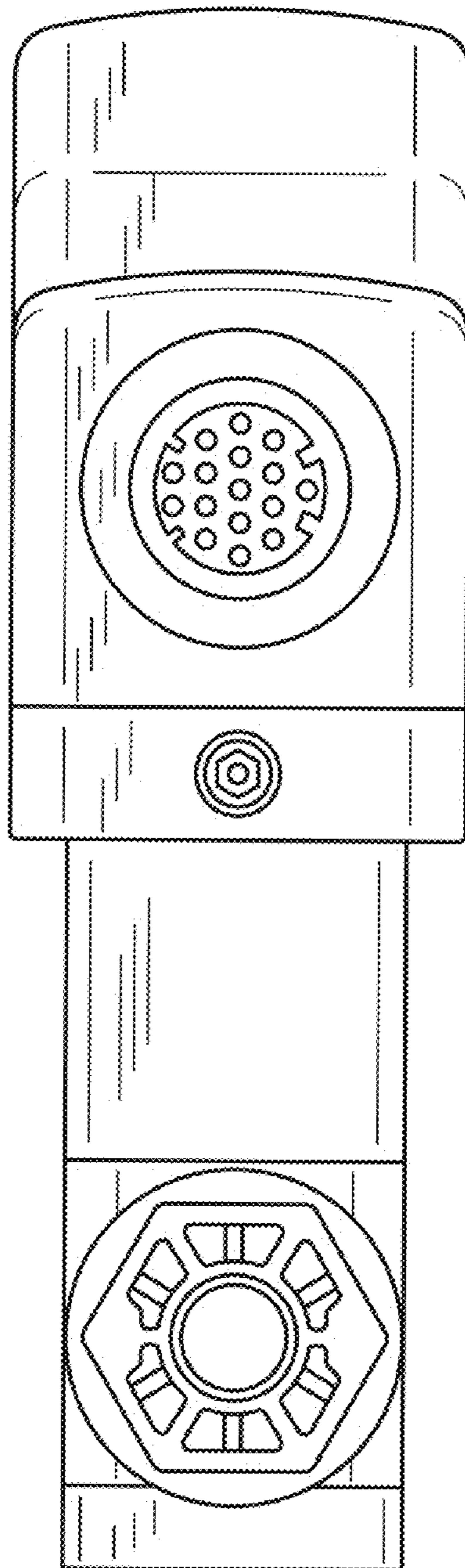


FIG. 5

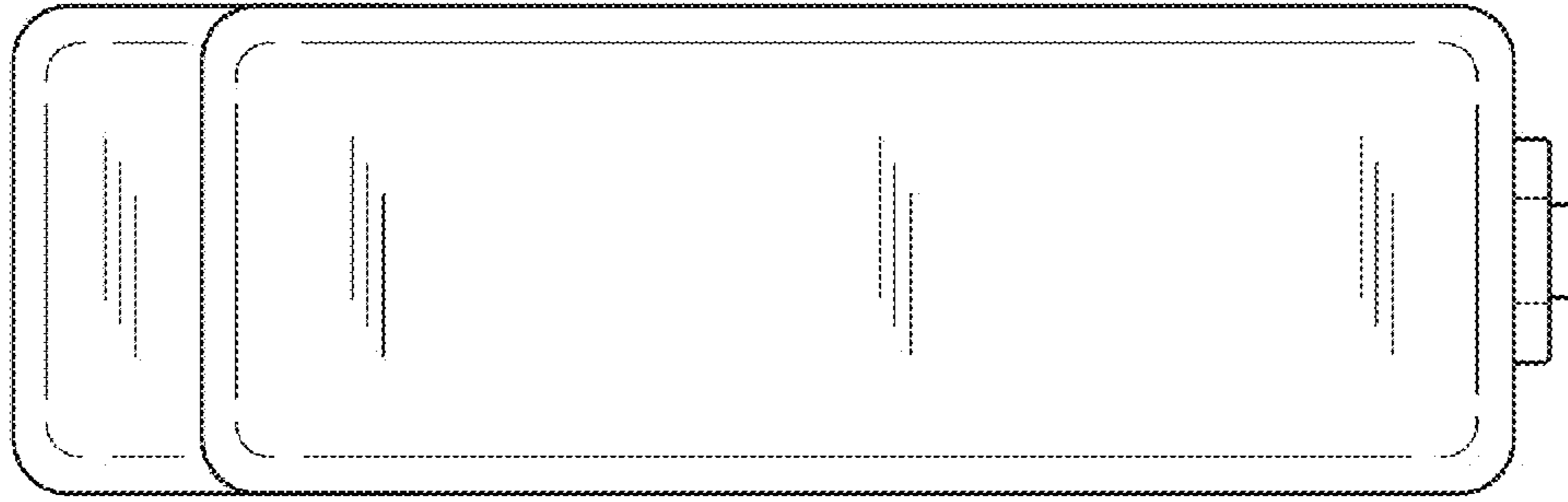


FIG. 6

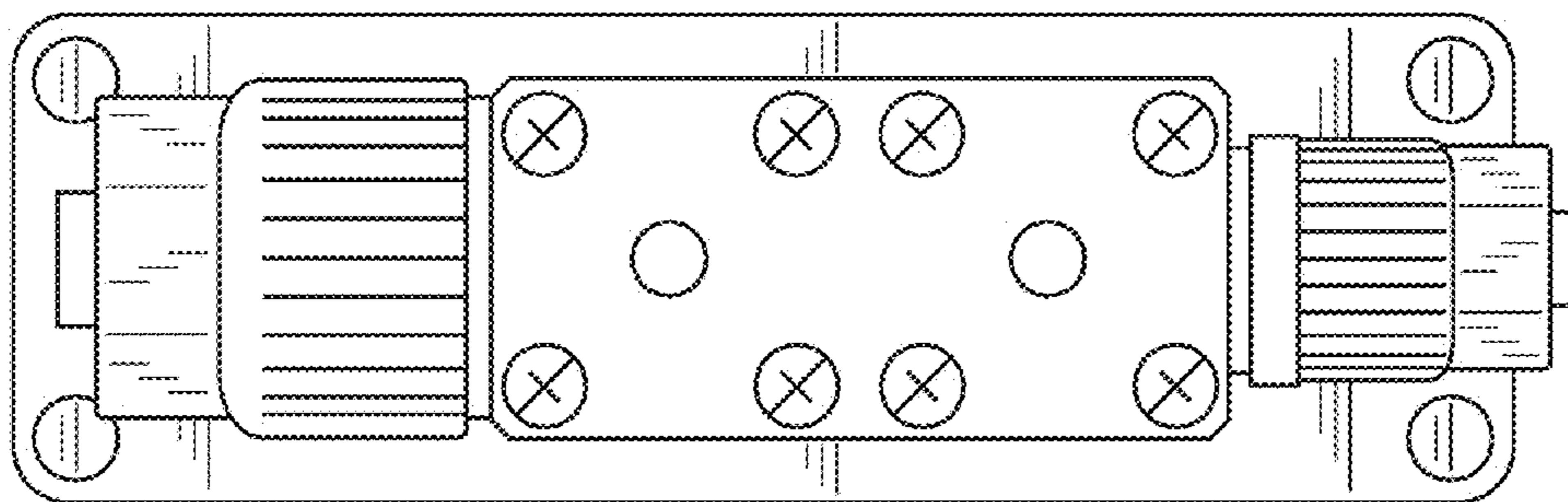


FIG. 7

