



US00D676110S

(12) **United States Design Patent**
Oike et al.

(10) **Patent No.:** **US D676,110 S**

(45) **Date of Patent:** **** Feb. 12, 2013**

(54) **AUTOMATIC DRAIN VALVE**

(75) Inventors: **Tadashi Oike**, Kakogawa (JP); **Tetsuo Asada**, Takasago (JP)

(73) Assignee: **TLV Co., Ltd.**, Hyogo (JP)

(**) Term: **14 Years**

(21) Appl. No.: **29/353,787**

(22) Filed: **Jan. 14, 2010**

(30) **Foreign Application Priority Data**

Jul. 15, 2009 (JP) 2009-016102

(51) **LOC (9) Cl.** **23-01**

(52) **U.S. Cl.** **D23/233**

(58) **Field of Classification Search** D23/233-237,
D23/244-249, 259-269, 310; 417/109, 110,
417/112, 113, 115-117, 283, 296, 307, 308,
417/434, 454

See application file for complete search history.

(56) **References Cited**

U.S. PATENT DOCUMENTS

D236,980 S * 9/1975 Callahan, Jr. D23/233
D317,815 S * 6/1991 Jeromson et al. D23/233

D410,525 S * 6/1999 Uehara et al. D23/235
D603,937 S * 11/2009 Tejamo D23/233
D632,362 S * 2/2011 Ito et al. D23/233

FOREIGN PATENT DOCUMENTS

JP 1232380 S 3/2005

* cited by examiner

Primary Examiner — Garth Rademaker

(74) *Attorney, Agent, or Firm* — The Webb Law Firm

(57) **CLAIM**

The ornamental design for an automatic drain valve, as shown and described.

DESCRIPTION

FIG. 1 is a front view of an automatic drain valve in accordance with our new design;
FIG. 2 is a rear view thereof;
FIG. 3 is a left side view thereof;
FIG. 4 is a right side view thereof;
FIG. 5 is a top view thereof;
FIG. 6 is a bottom view thereof; and,
FIG. 7 is a perspective view thereof.

1 Claim, 7 Drawing Sheets

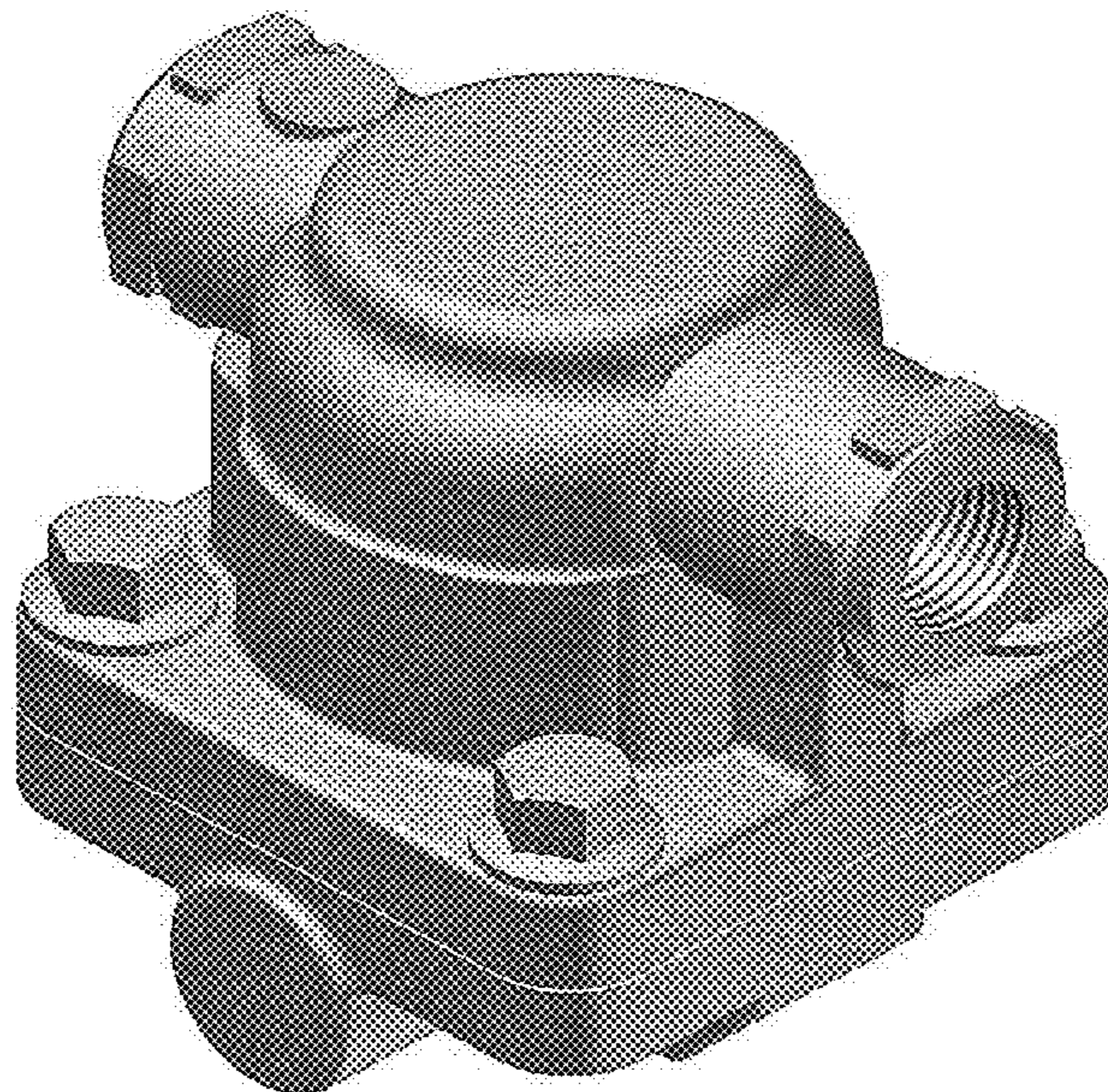


Fig. 1

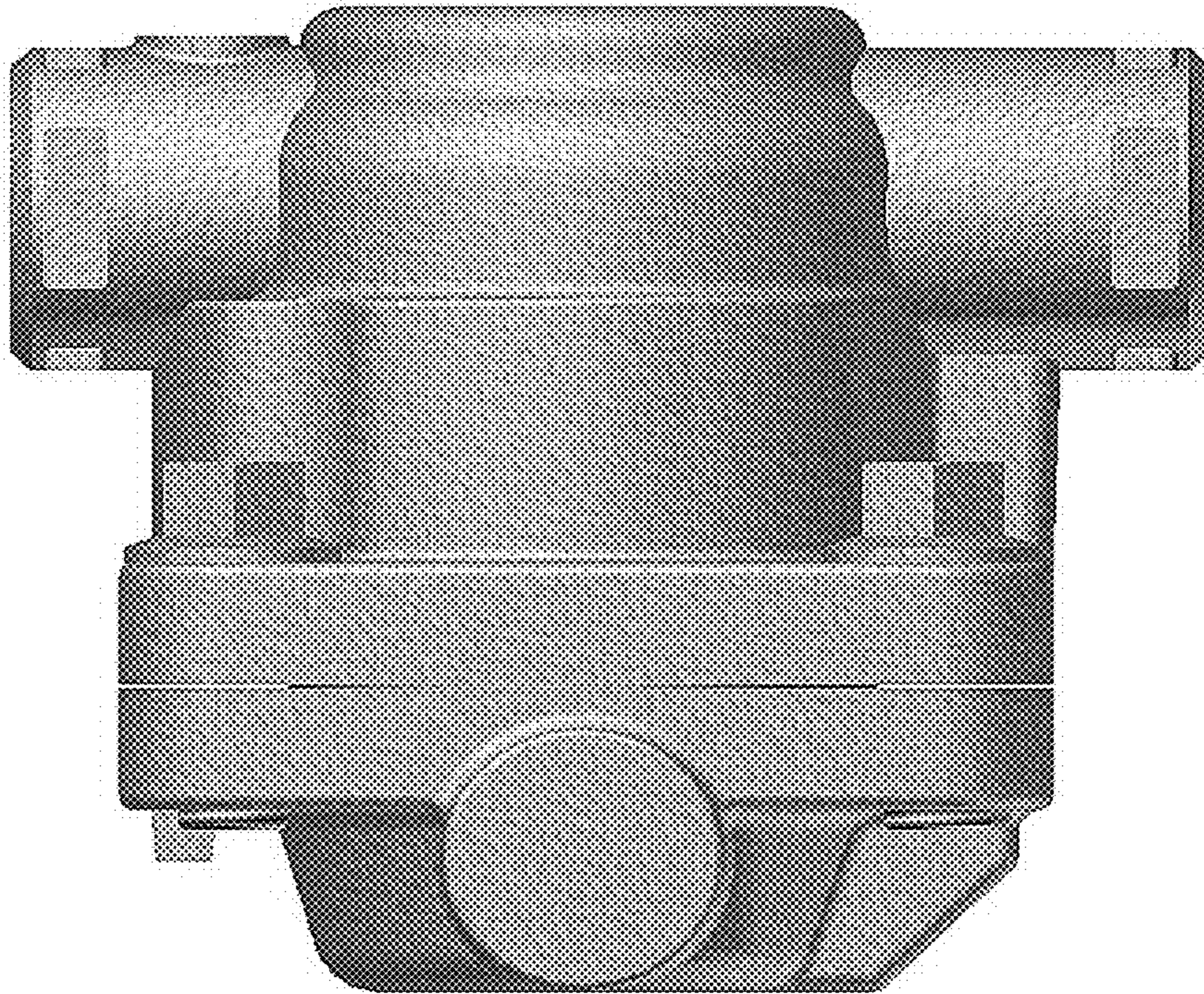


Fig. 2

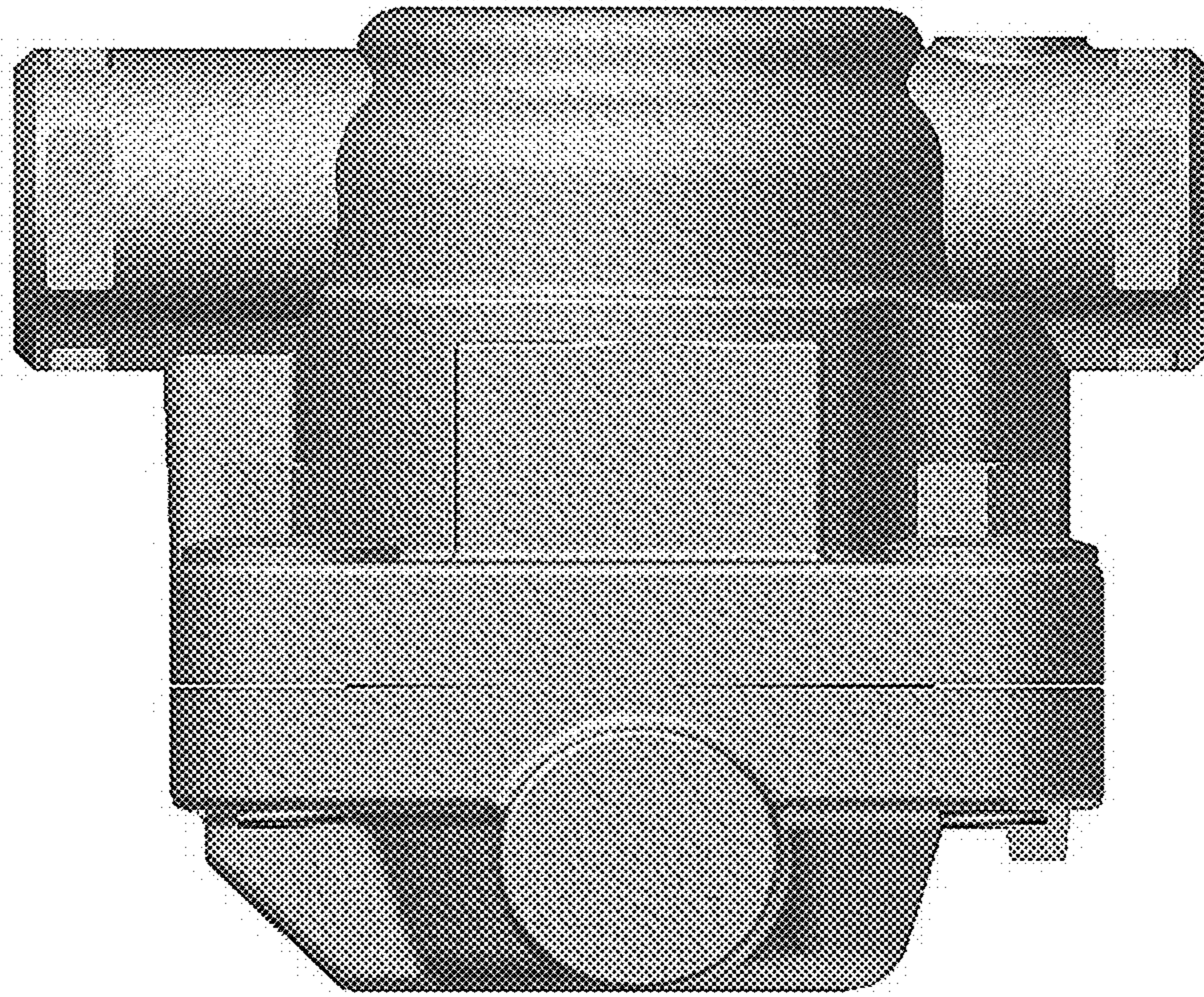


Fig. 3

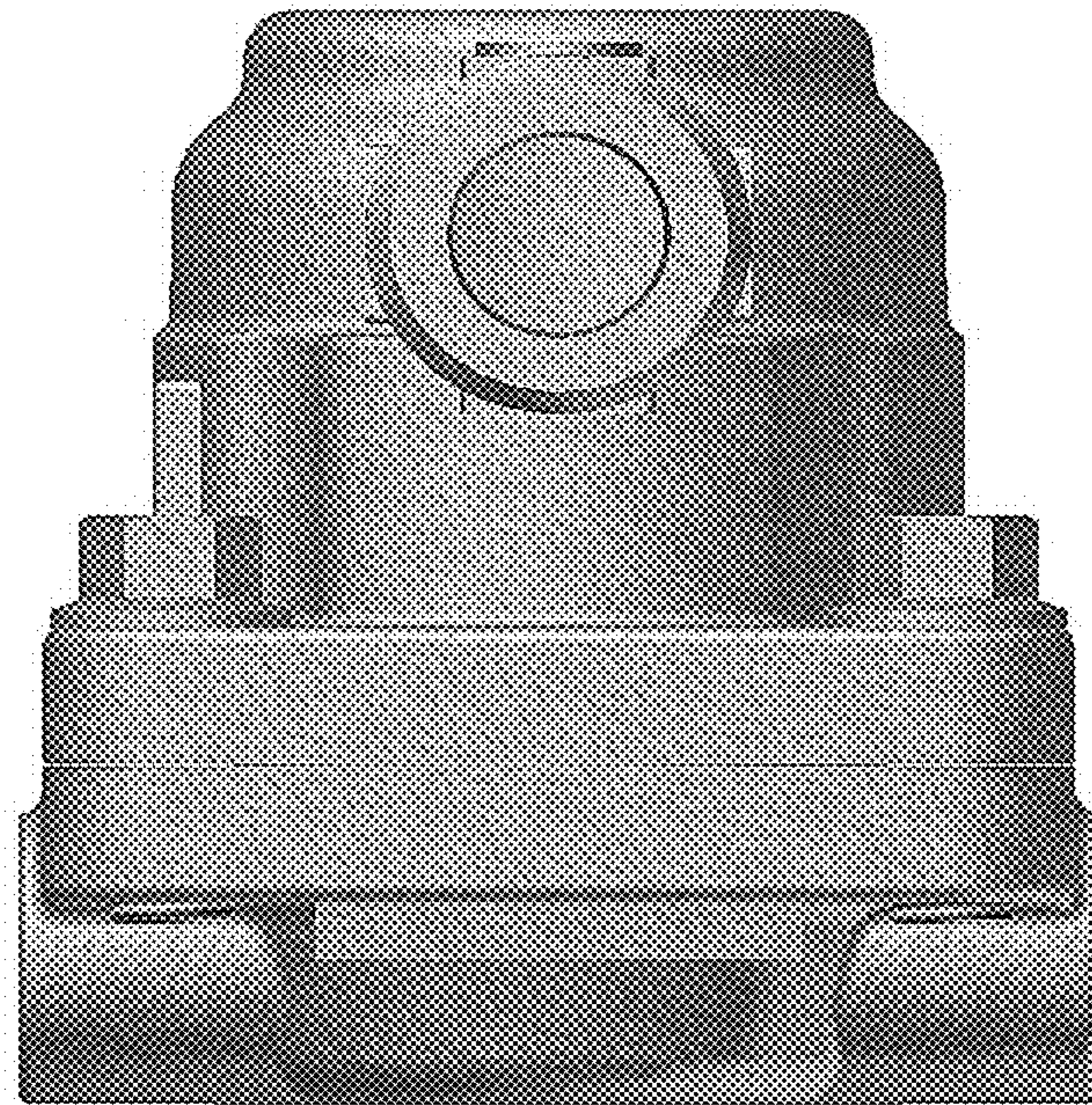
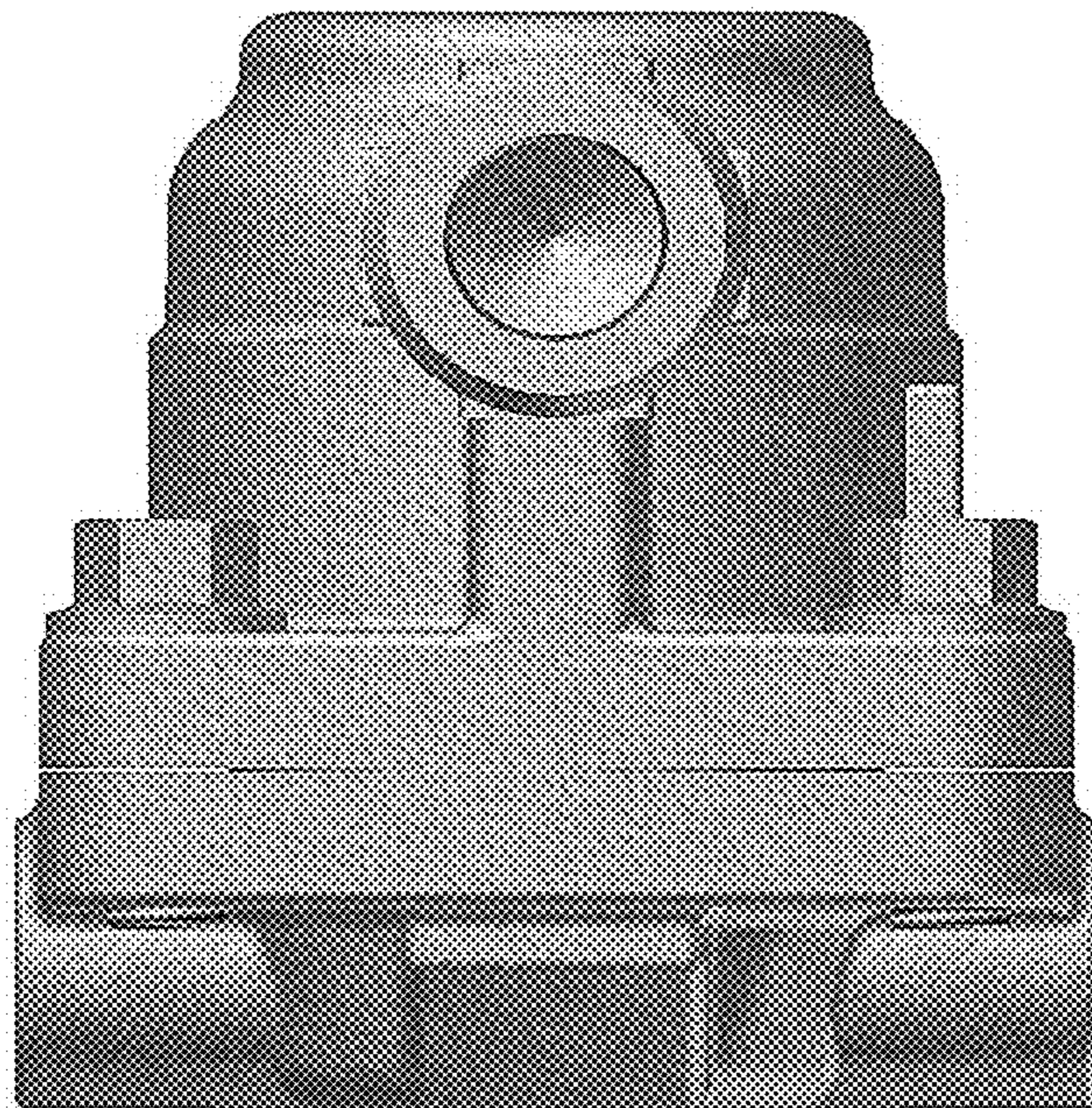


Fig. 4



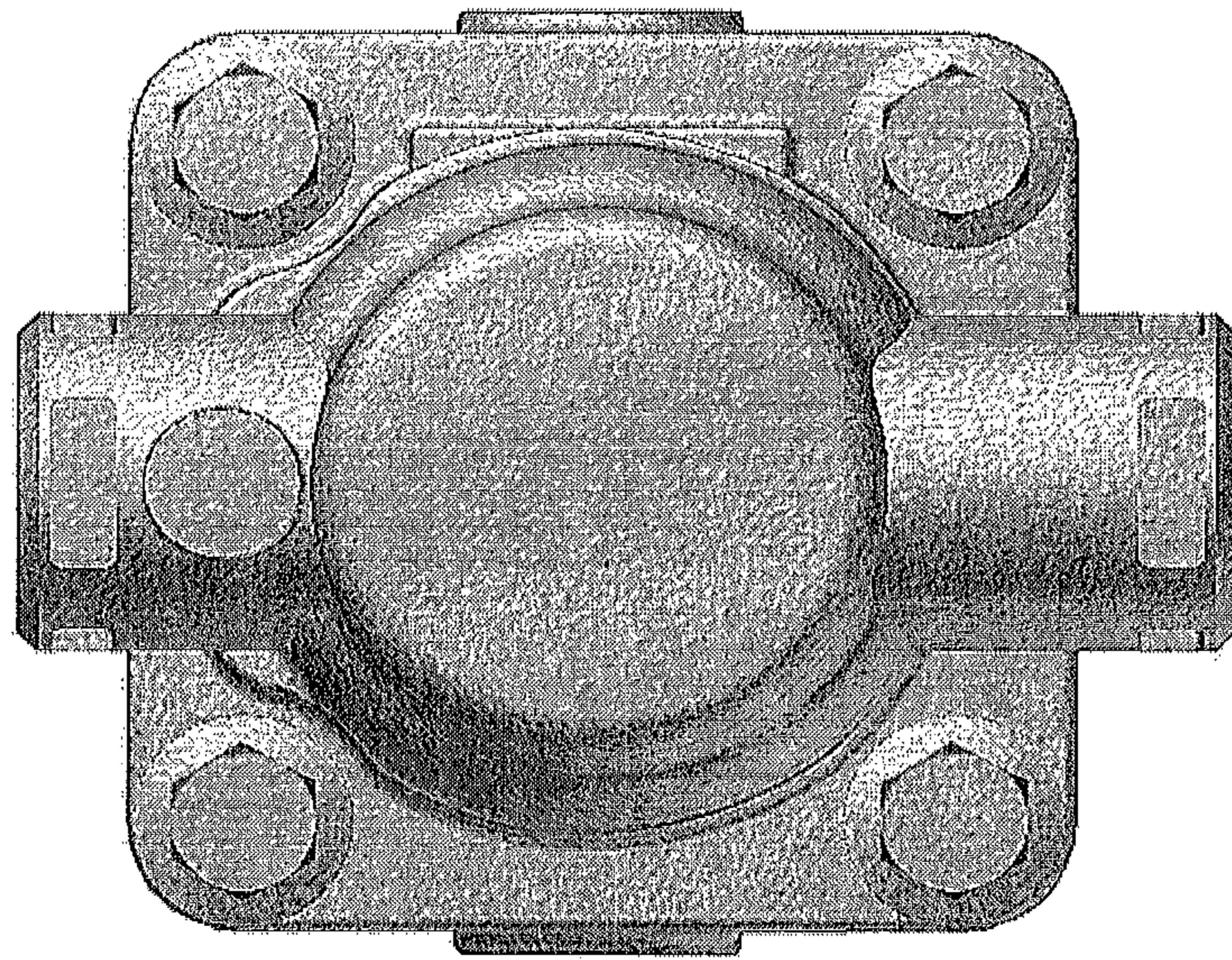


FIG. 5

F i g . 6

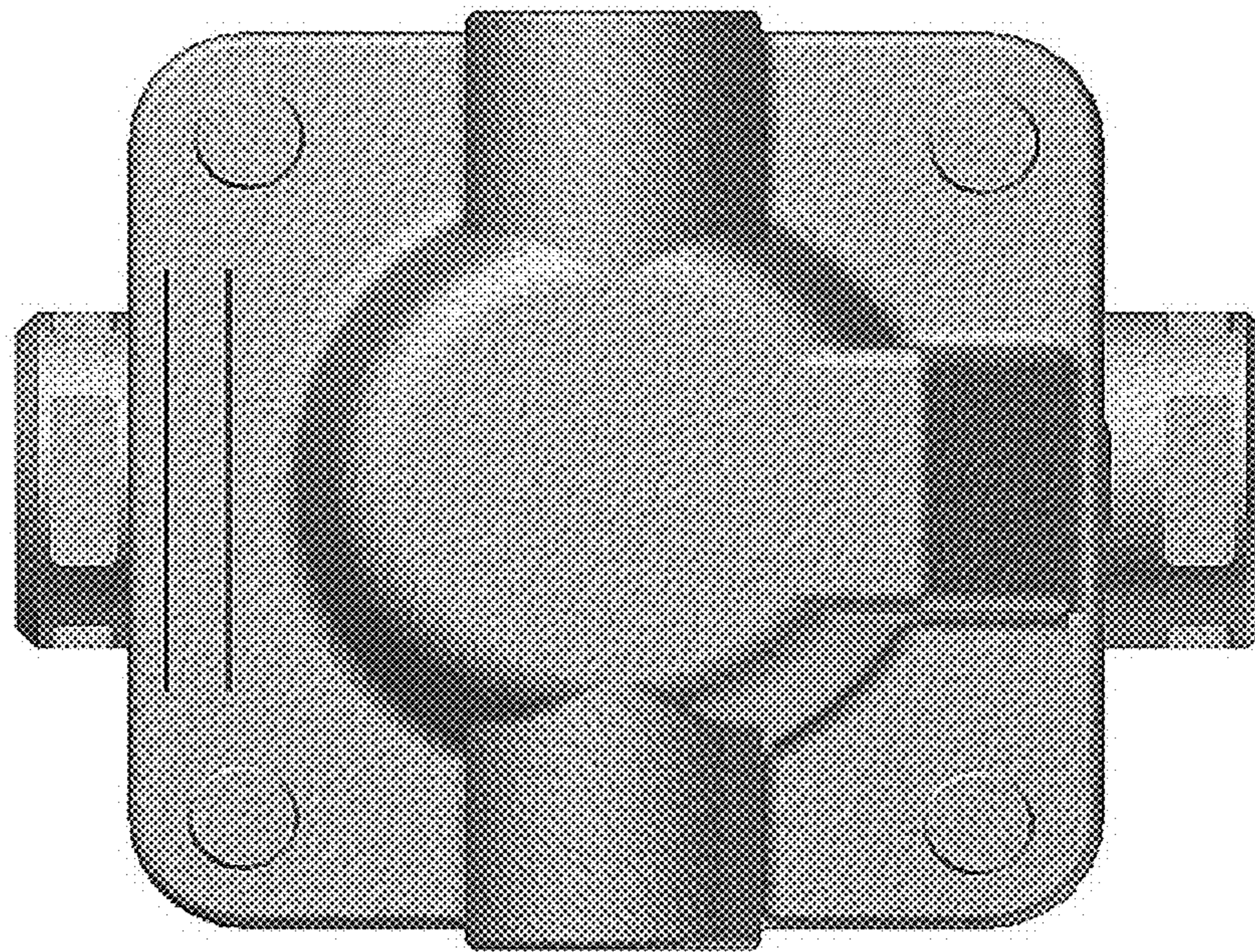


Fig. 7

