



US00D676109S

(12) **United States Design Patent**  
**Chibitty**

(10) **Patent No.:** **US D676,109 S**

(45) **Date of Patent:** **\*\* Feb. 12, 2013**

(54) **HANDHELD SHOWER**

(75) Inventor: **Rachelle Chibitty**, West Lafayette, IN (US)

(73) Assignee: **Masco Corporation of Indiana**, Indianapolis, IN (US)

(\*\*) Term: **14 Years**

(21) Appl. No.: **29/418,437**

(22) Filed: **Apr. 17, 2012**

(51) **LOC (9) Cl.** ..... **23-01**

(52) **U.S. Cl.** ..... **D23/223**

(58) **Field of Classification Search** ..... D23/213,  
D23/223, 226, 229, 230; 4/615; 239/282,  
239/283, 462

See application file for complete search history.

(56) **References Cited**

U.S. PATENT DOCUMENTS

D534,239 S *	12/2006	Dingler et al.	.....	D23/223
D560,753 S *	1/2008	Chung	.....	D23/223
D655,383 S *	3/2012	Flowers et al.	.....	D23/223
D659,797 S *	5/2012	Farley	.....	D23/223

\* cited by examiner

*Primary Examiner* — Robin V Webster

(74) *Attorney, Agent, or Firm* — Edgar A. Zarins; Nirav D. Parikh; Lora J. Graentzdoerffer

(57) **CLAIM**

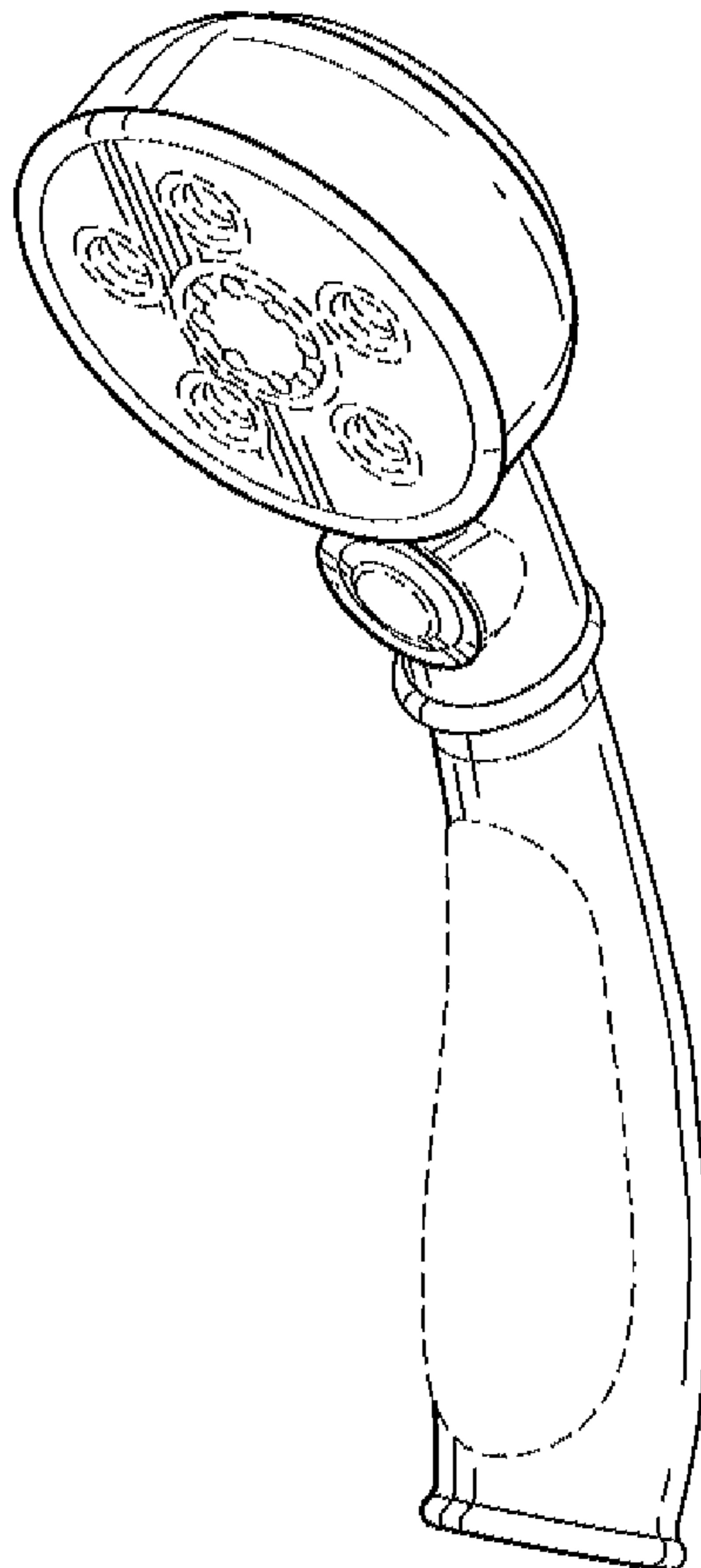
The ornamental design for a handheld shower, as shown and described.

**DESCRIPTION**

FIG. 1 is a perspective view of a handheld shower showing my new design;  
FIG. 2 is a front view thereof;  
FIG. 3 is a top view thereof;  
FIG. 4 is a bottom view thereof;  
FIG. 5 is a first side view thereof;  
FIG. 6 is a second side view thereof; and,  
FIG. 7 is a rear view thereof.

The broken line showing in FIGS. 1-3 and 5-6, is included for the purpose of illustrating and forms no part of the claimed design.

**1 Claim, 2 Drawing Sheets**



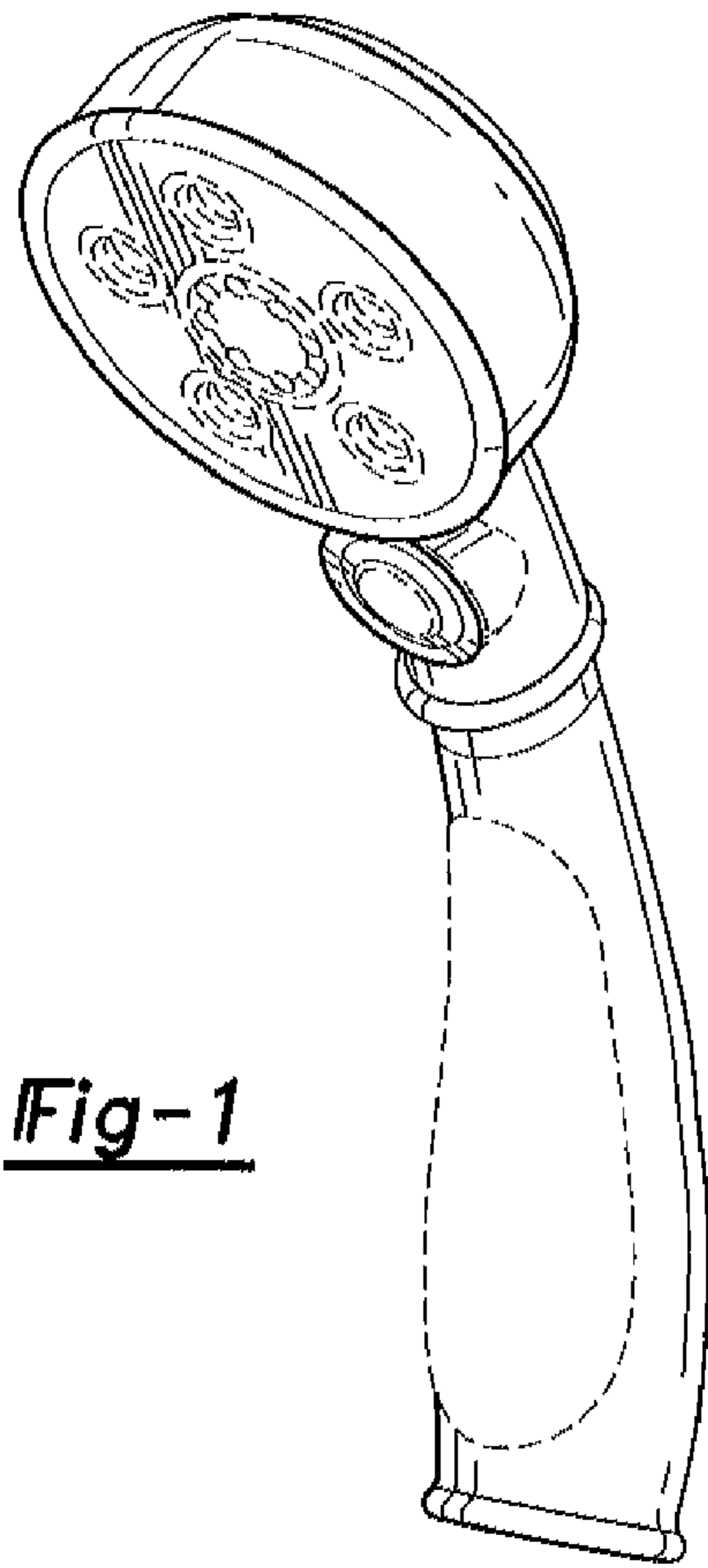


Fig-1

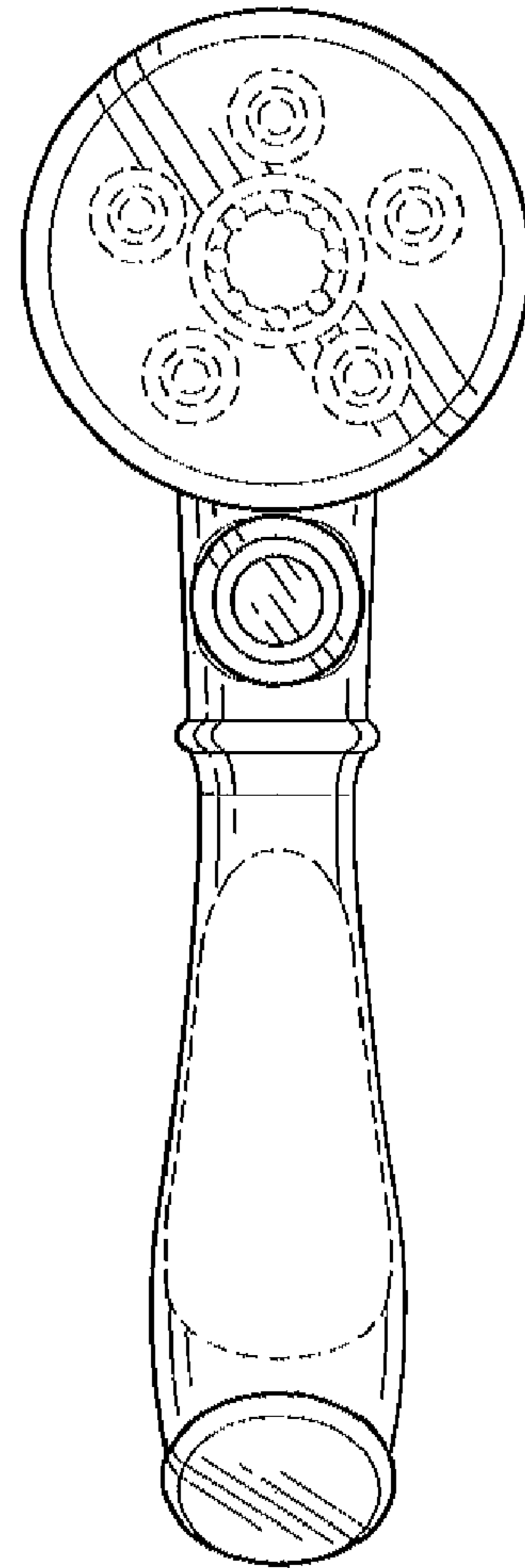


Fig-2

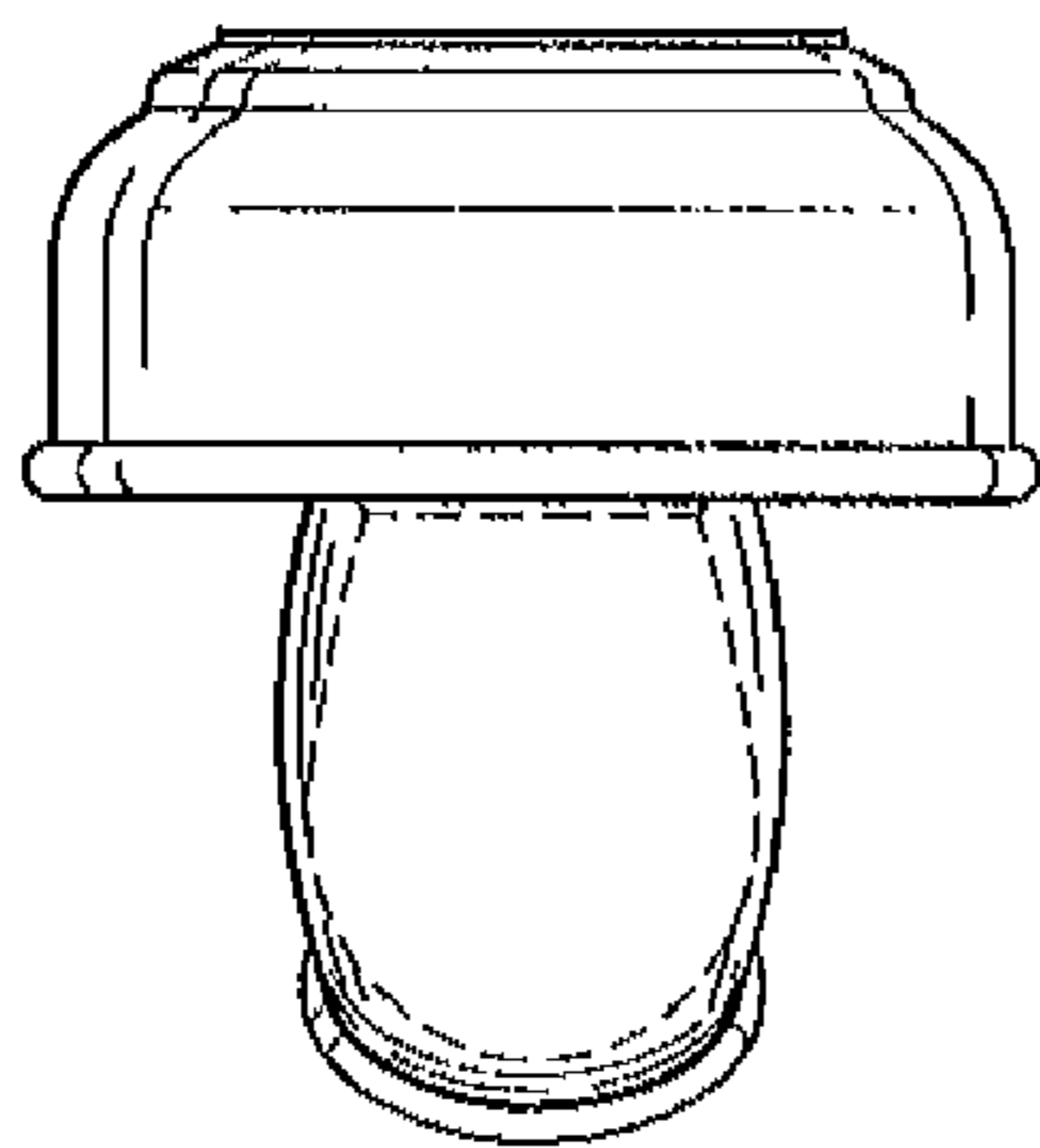


Fig-3

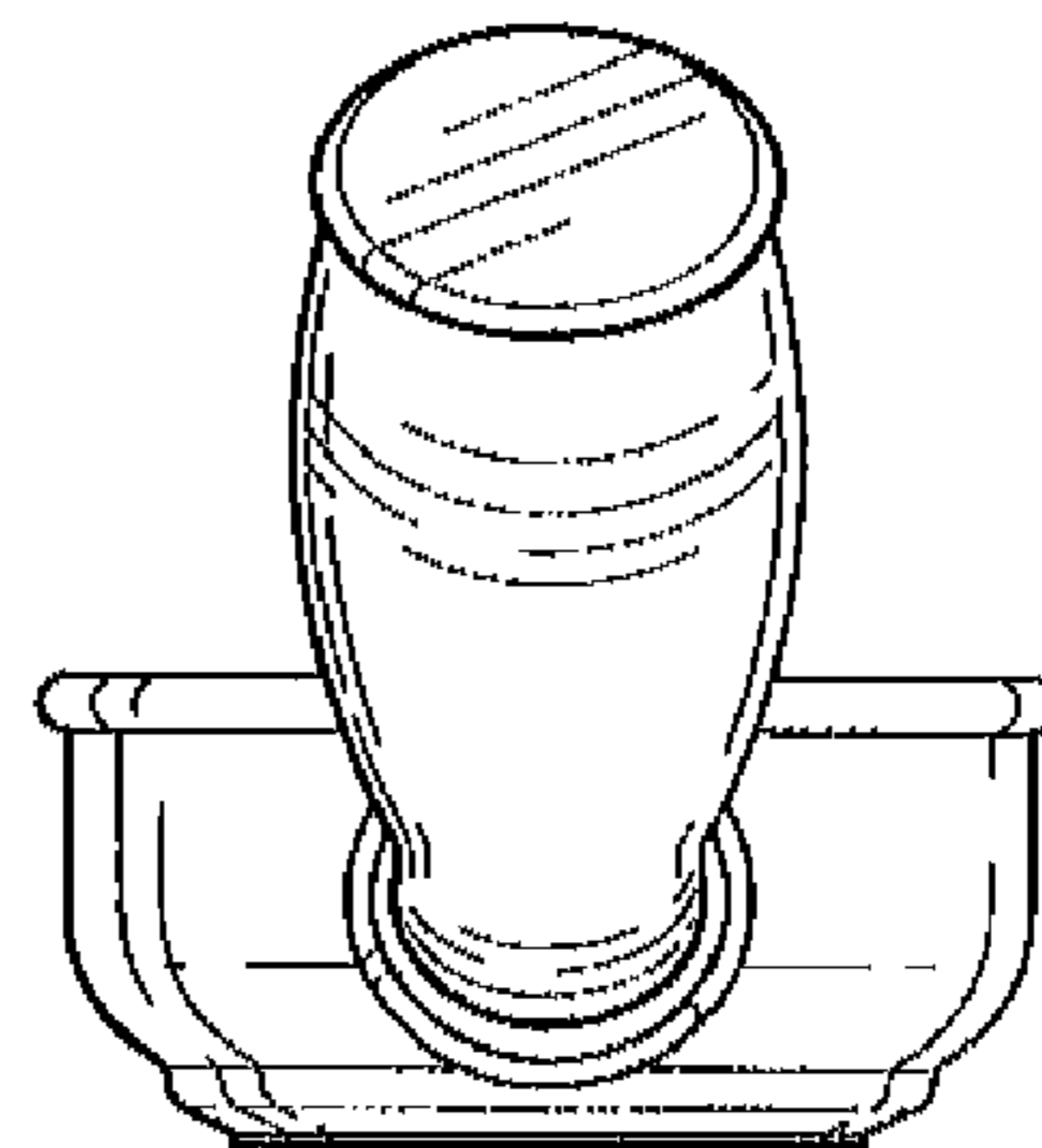


Fig-4

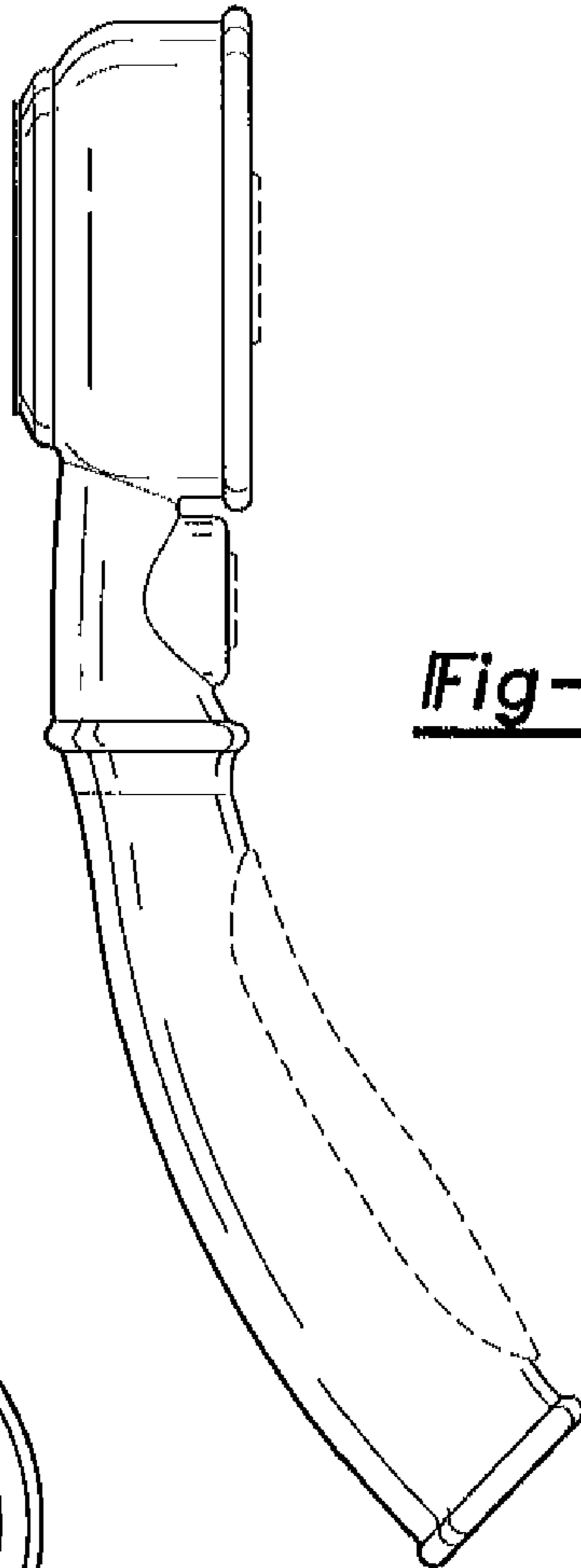


Fig-5

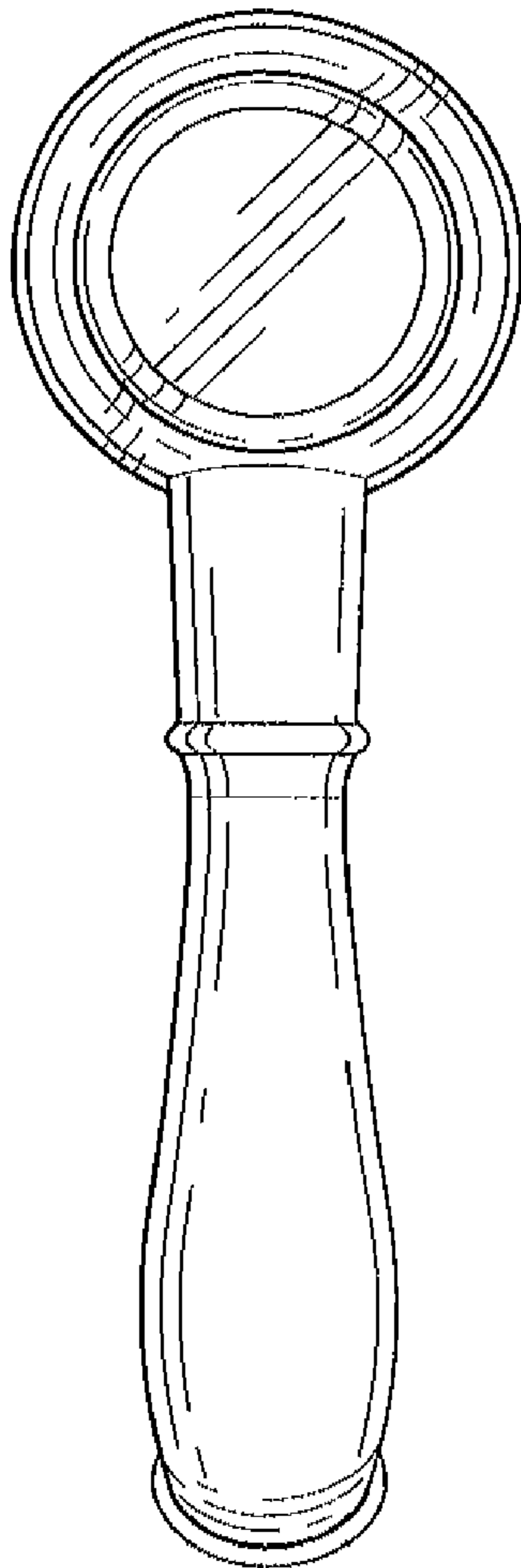


Fig-7

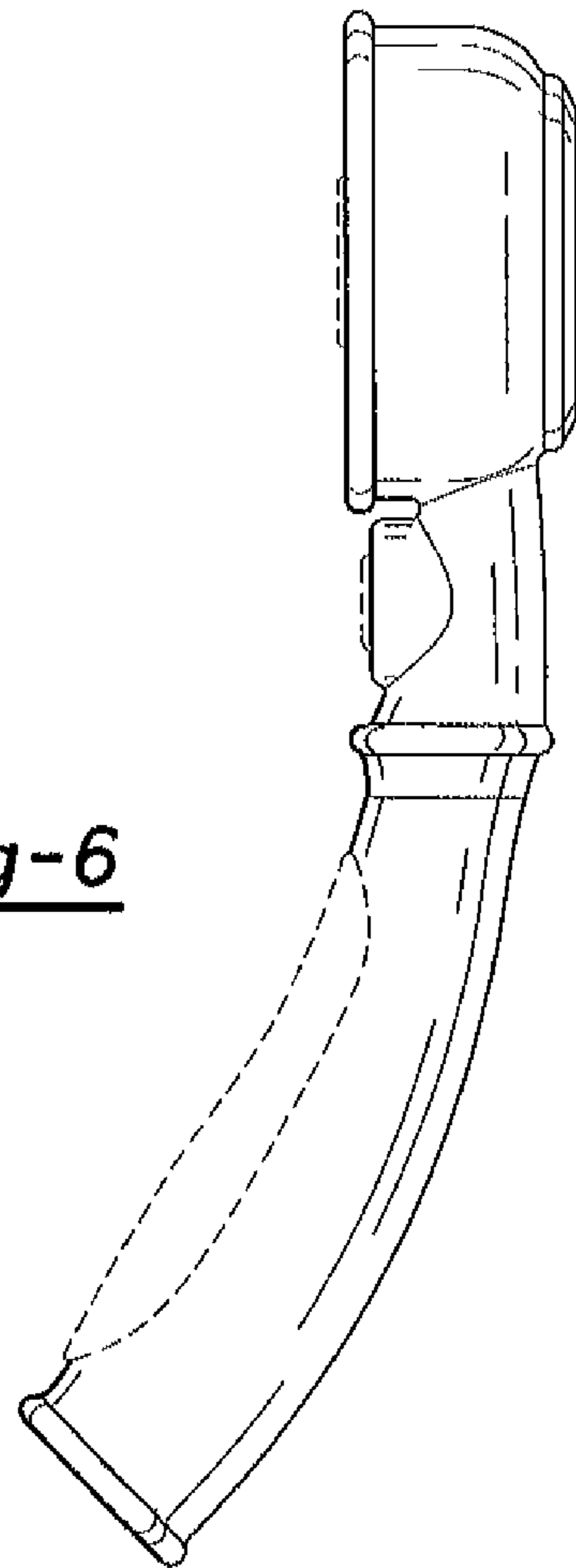


Fig-6