



US00D676106S

(12) **United States Design Patent**  
**Blood et al.**

(10) **Patent No.:** **US D676,106 S**  
(45) **Date of Patent:** **\*\* Feb. 12, 2013**

(54) **COMBINED WADING STAFF AND  
TELESCOPIC FISHING NET HANDLE WITH  
BALL IN RETENTION CLIP ASSEMBLY**

(76) Inventors: **Jeffrey Blood**, Cranberry Township, PA  
(US); **Carl Caylor**, Ashtabula, OH (US)

(\*\*) Term: **14 Years**

(21) Appl. No.: **29/418,329**

(22) Filed: **Apr. 16, 2012**

(51) **LOC (9) Cl.** ..... **22-05**

(52) **U.S. Cl.** ..... **D22/135**

(58) **Field of Classification Search** ..... D22/135,  
D22/134; 43/7, 10-12

See application file for complete search history.

(56) **References Cited**

**U.S. PATENT DOCUMENTS**

752,550	A	2/1904	Heritage	
2,033,408	A	3/1934	Watterson	
2,595,597	A	7/1949	Morseth	
3,077,693	A *	2/1963	Wallin	43/11
4,446,646	A *	5/1984	van't Veld	43/12
4,631,851	A *	12/1986	Whitehurst	43/7
D319,681	S *	9/1991	Mengo	D22/135
D344,569	S *	2/1994	Stewart	D22/135
D391,620	S *	3/1998	Lucas et al.	D22/135
6,032,399	A	3/2000	DePoe	
7,269,921	B2	9/2007	Lee	

\* cited by examiner

*Primary Examiner* — Catheri Oliver-Garcia

(74) *Attorney, Agent, or Firm* — Lynch Weis, LLC

(57) **CLAIM**

The ornamental design for a combined wading staff and telescopic fishing net handle with ball in retention clip assembly, as shown and described.

**DESCRIPTION**

FIG. 1 is a front perspective view of the fishing net with its telescopic fishing net handle retracted into itself at one end and its wading staff handle at the opposite end;

FIG. 2 is a top plan view of the net from FIG. 1;

FIG. 3 is a bottom plan view of said net;

FIG. 4 is a right side view of the net from FIG. 1, the left side view being a mirror image of same;

FIG. 5 is a front view of the net from FIG. 1 looking longitudinally along the telescopic fishing net handle end;

FIG. 6 is a rear view of the net looking longitudinally along the wading staff handle, or down the opposite end from FIG. 5;

FIG. 7 is an upper perspective view of the cup retention clip for one embodiment of clip assembly according to this invention;

FIG. 8 is an exploded view of said clip assembly showing its various components;

FIG. 9 is a front view of the whole clip assembly from FIG. 7;

FIG. 10 is a rear view of said clip assembly;

FIG. 11 is a left view of said clip assembly, it being understood that the opposite, right plan view is a mirror image of same;

FIG. 12 is a top plan view of said clip assembly;

FIG. 13 is a bottom plan view of said clip assembly; and

FIG. 14 is a side perspective view showing the ball of the fishing net situated over the clip assembly;

FIG. 15 is a side perspective view showing the ball of the fishing net situated most of the way into said clip assembly; and,

FIG. 16 is a side perspective view showing the ball of the fishing net "locked" into the bottom of said clip assembly for transport.

**1 Claim, 10 Drawing Sheets**

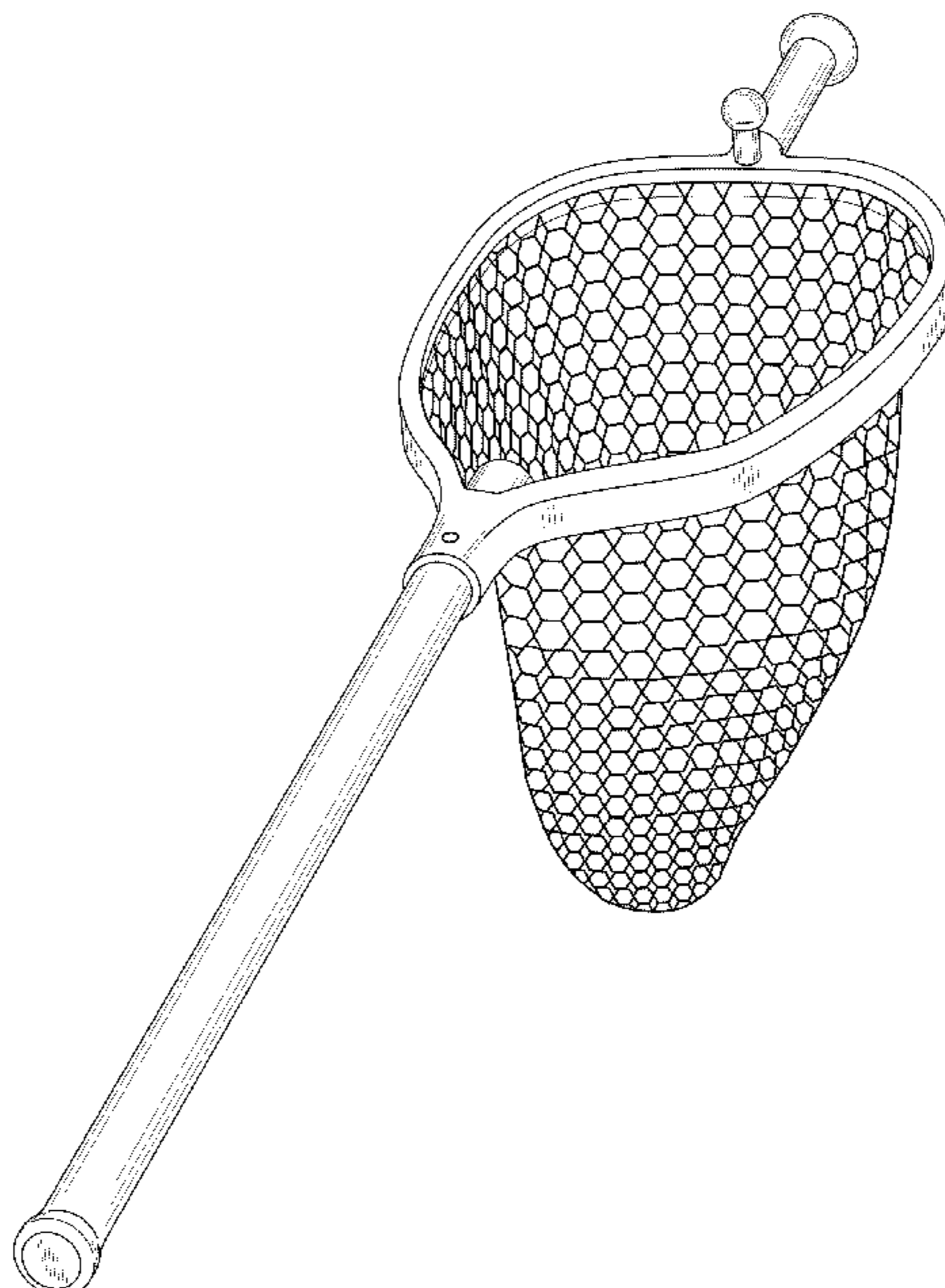




FIG. 1

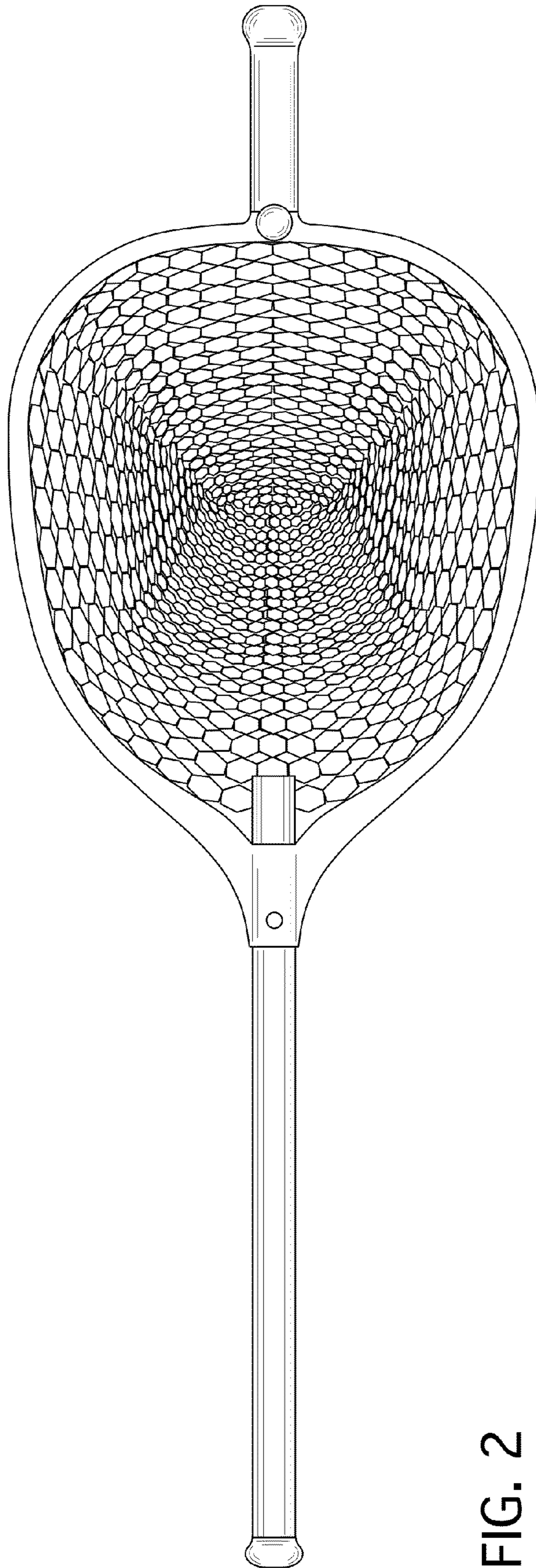


FIG. 2

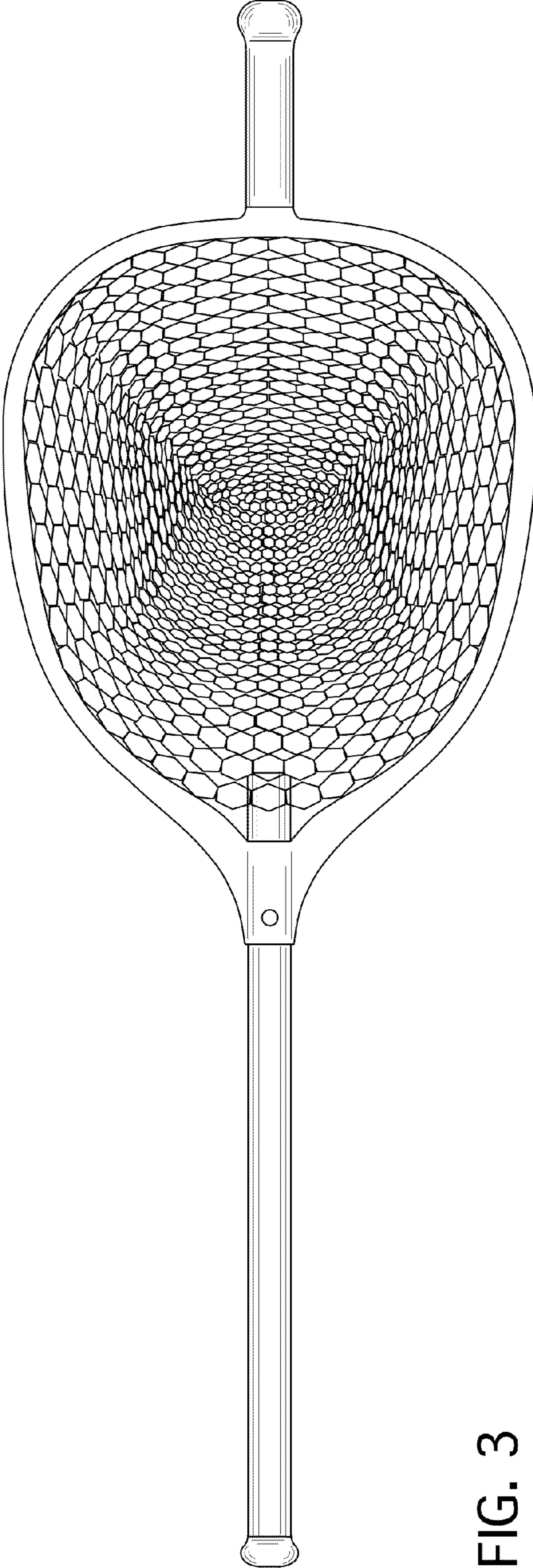


FIG. 3

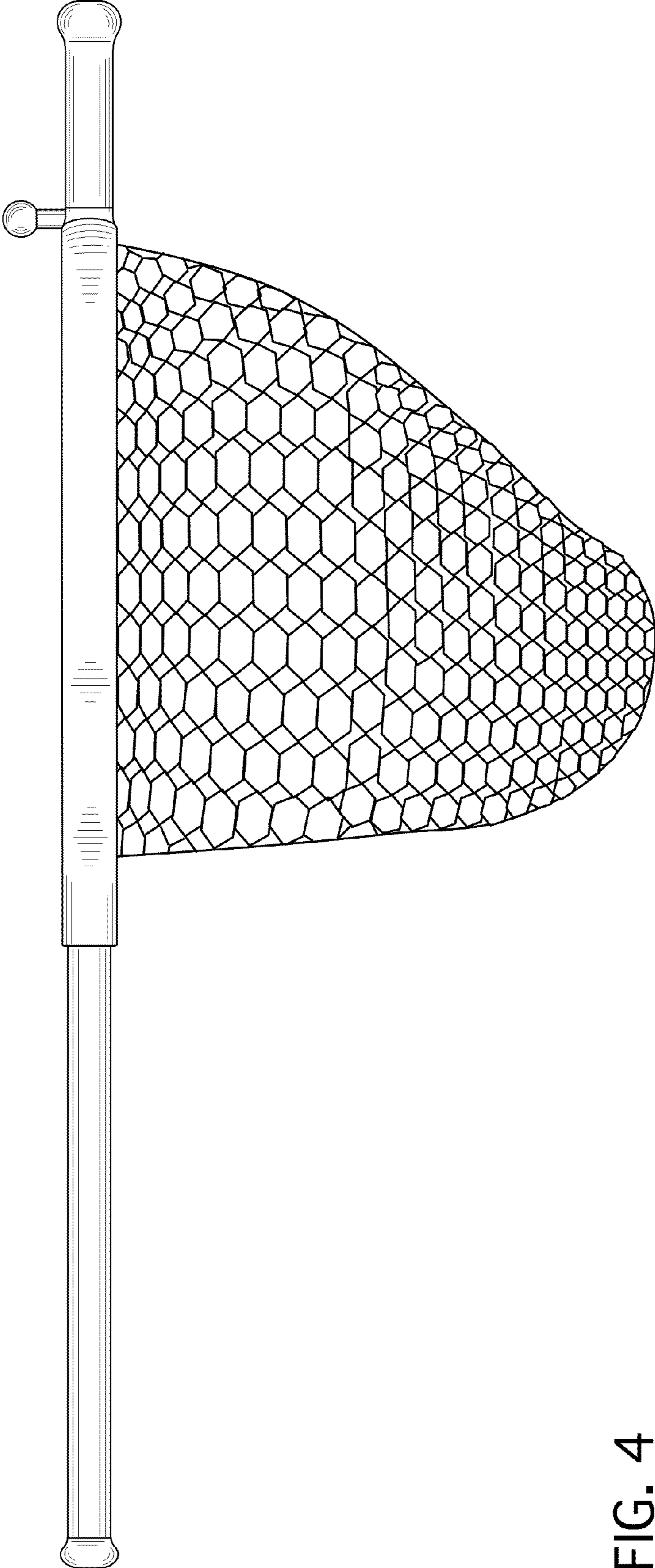


FIG. 4

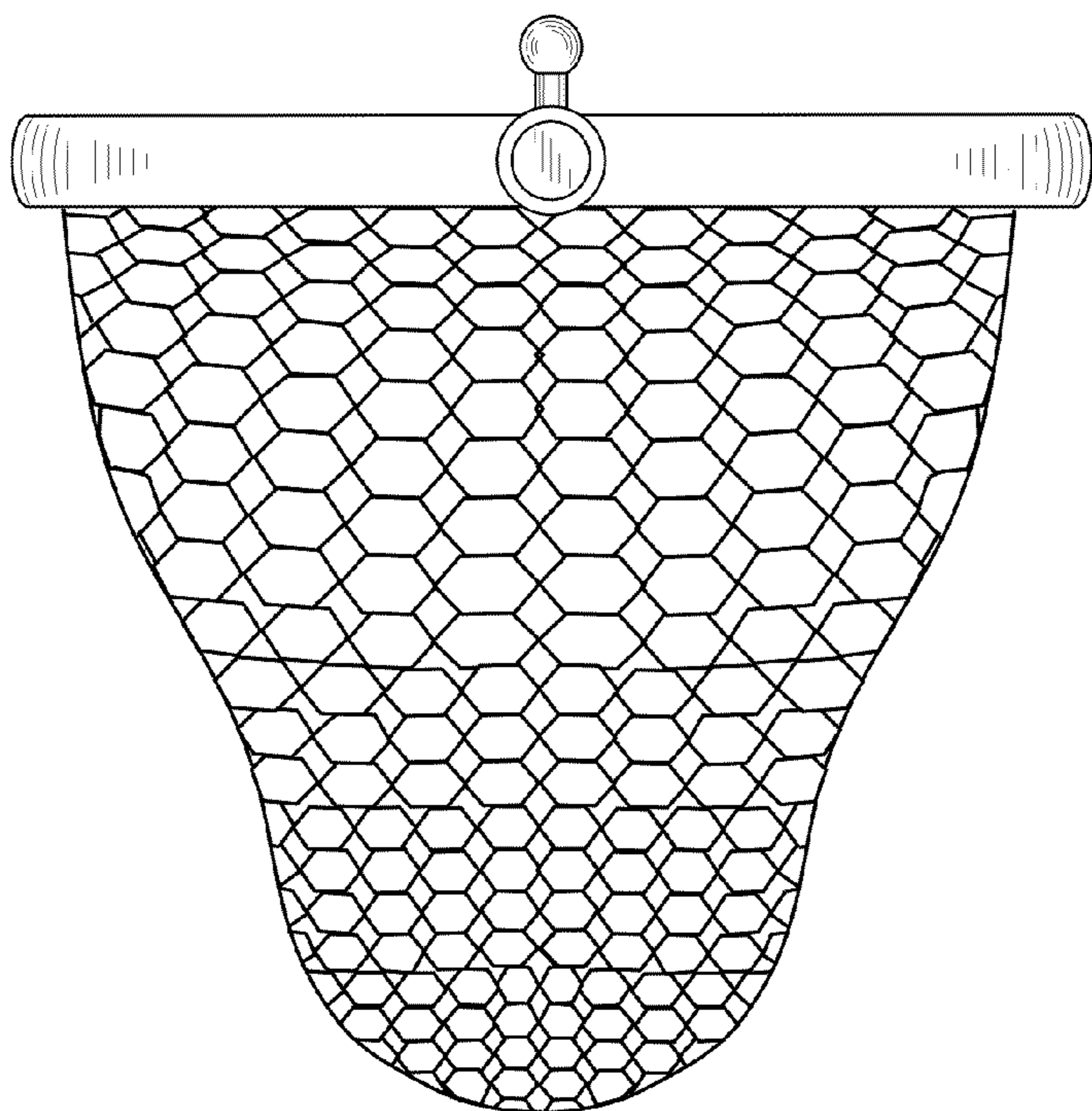


FIG. 5

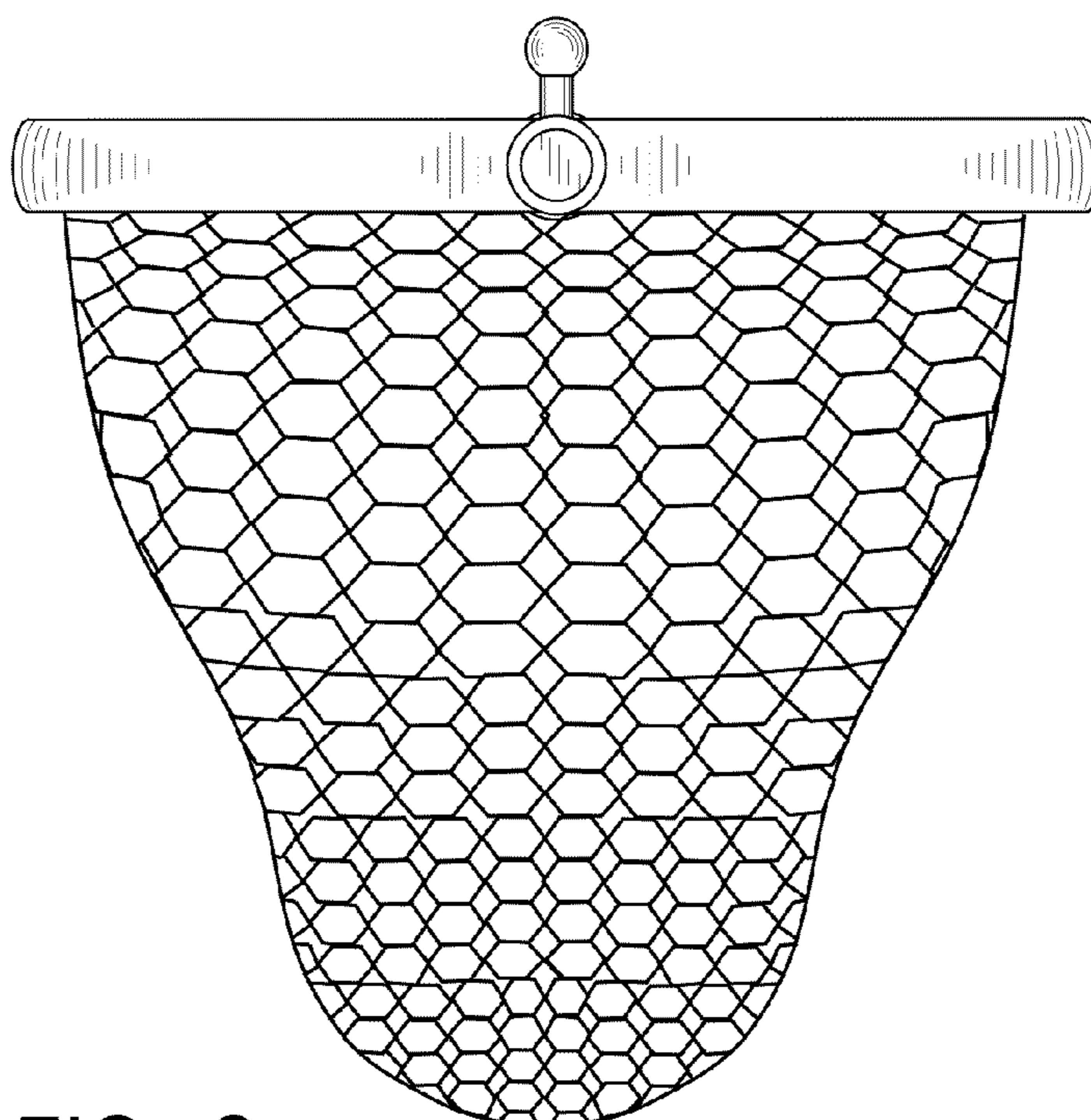


FIG. 6

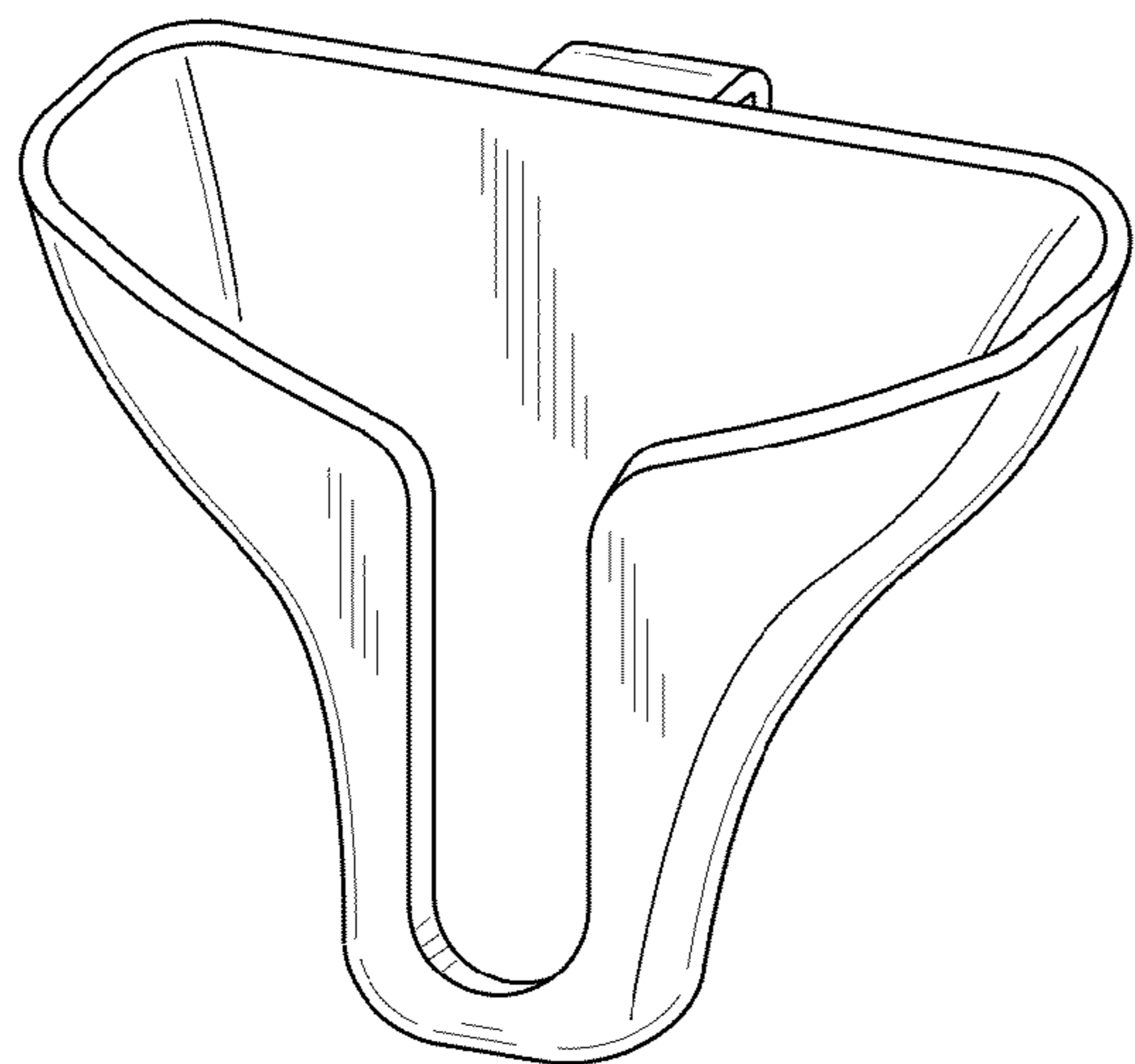


FIG. 7

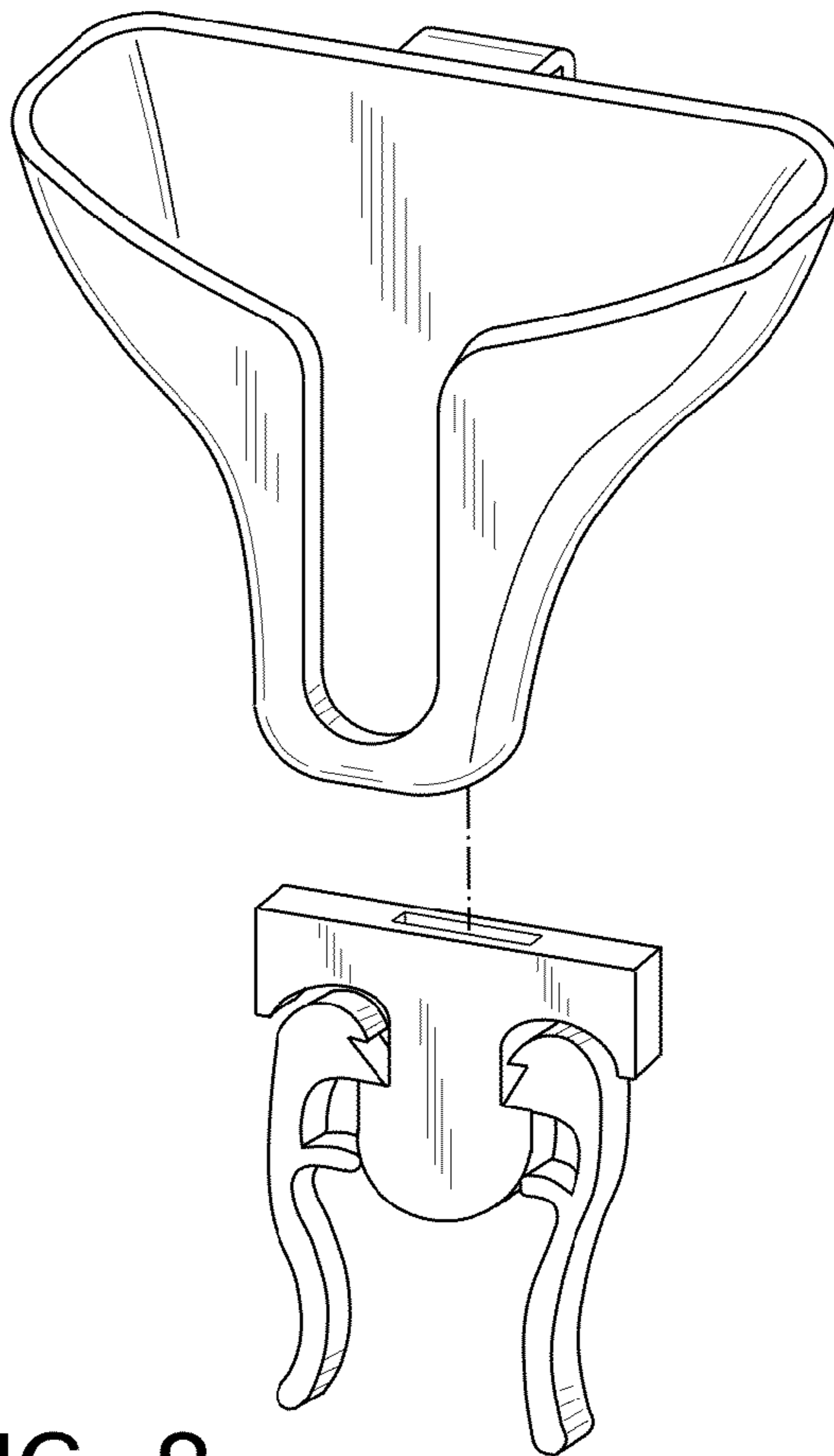


FIG. 8

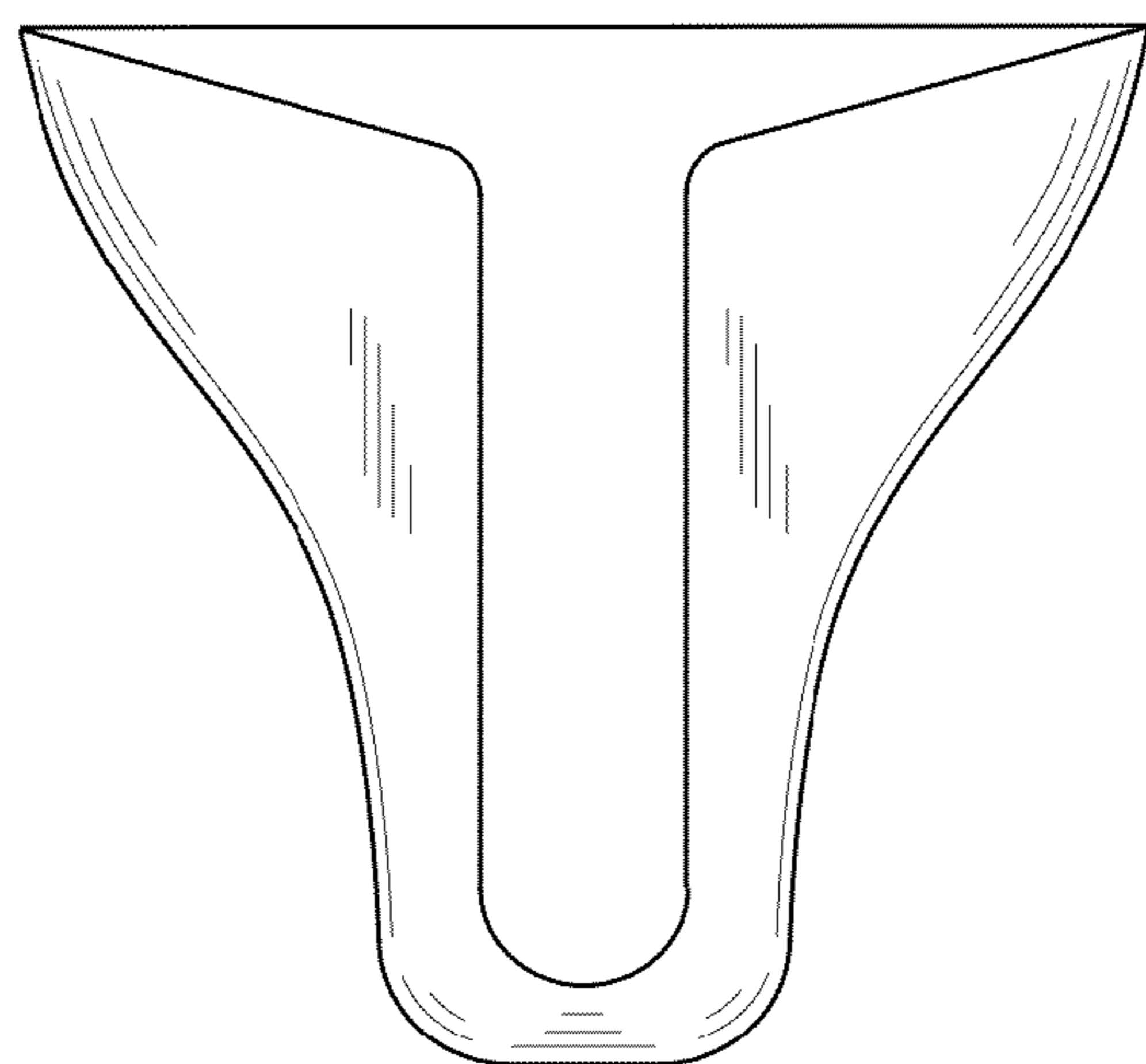


FIG. 9

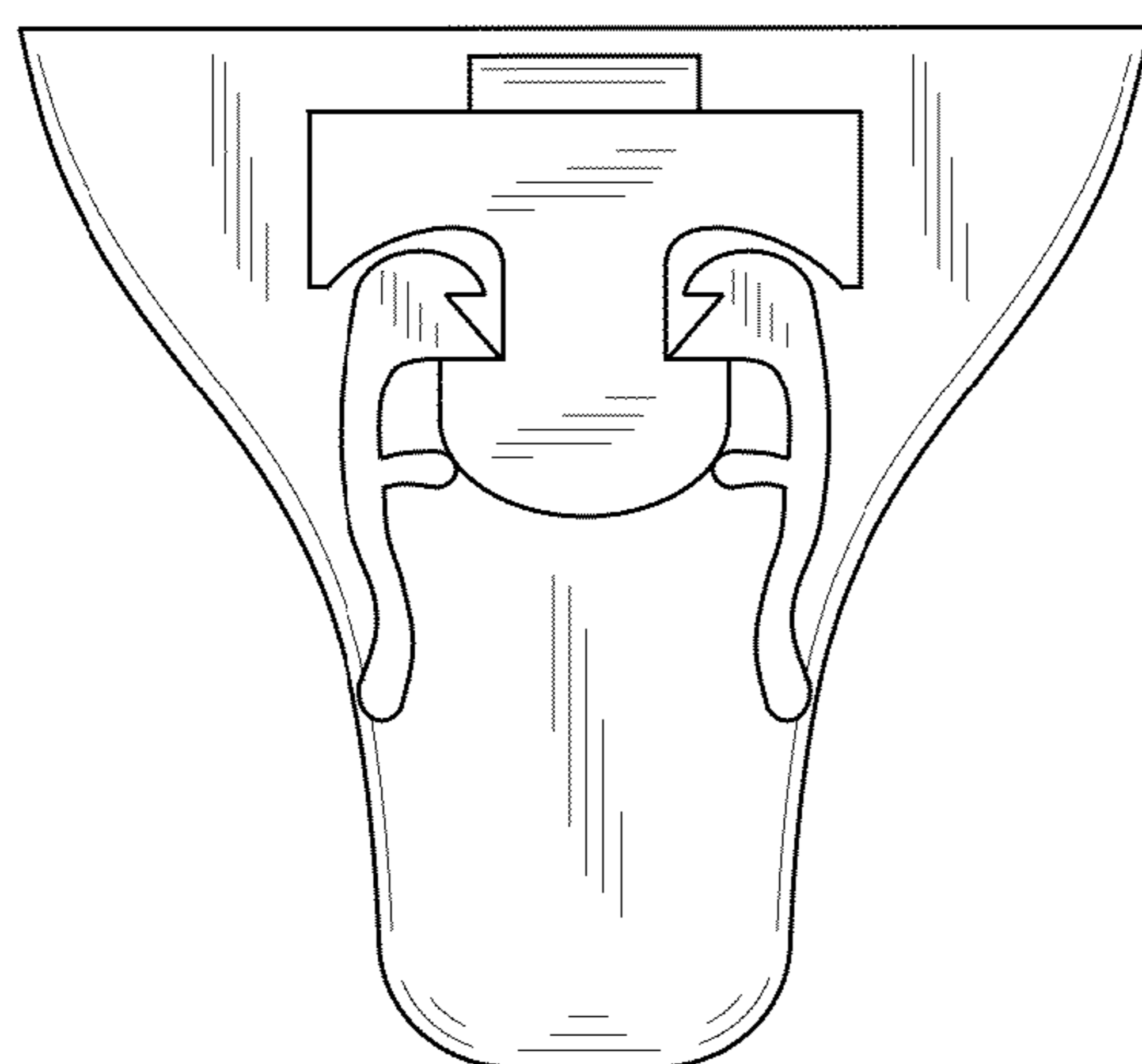


FIG. 10

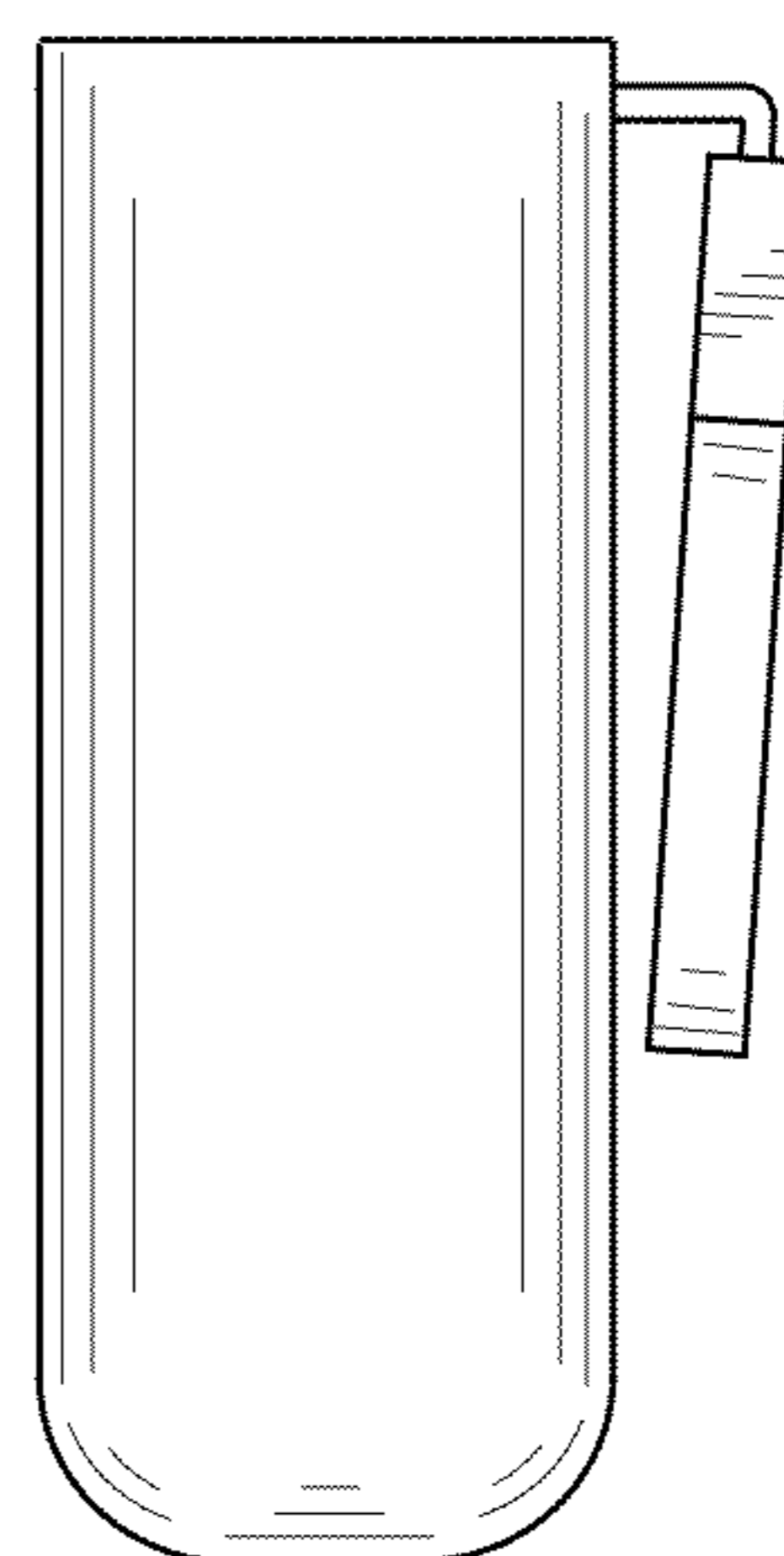


FIG. 11



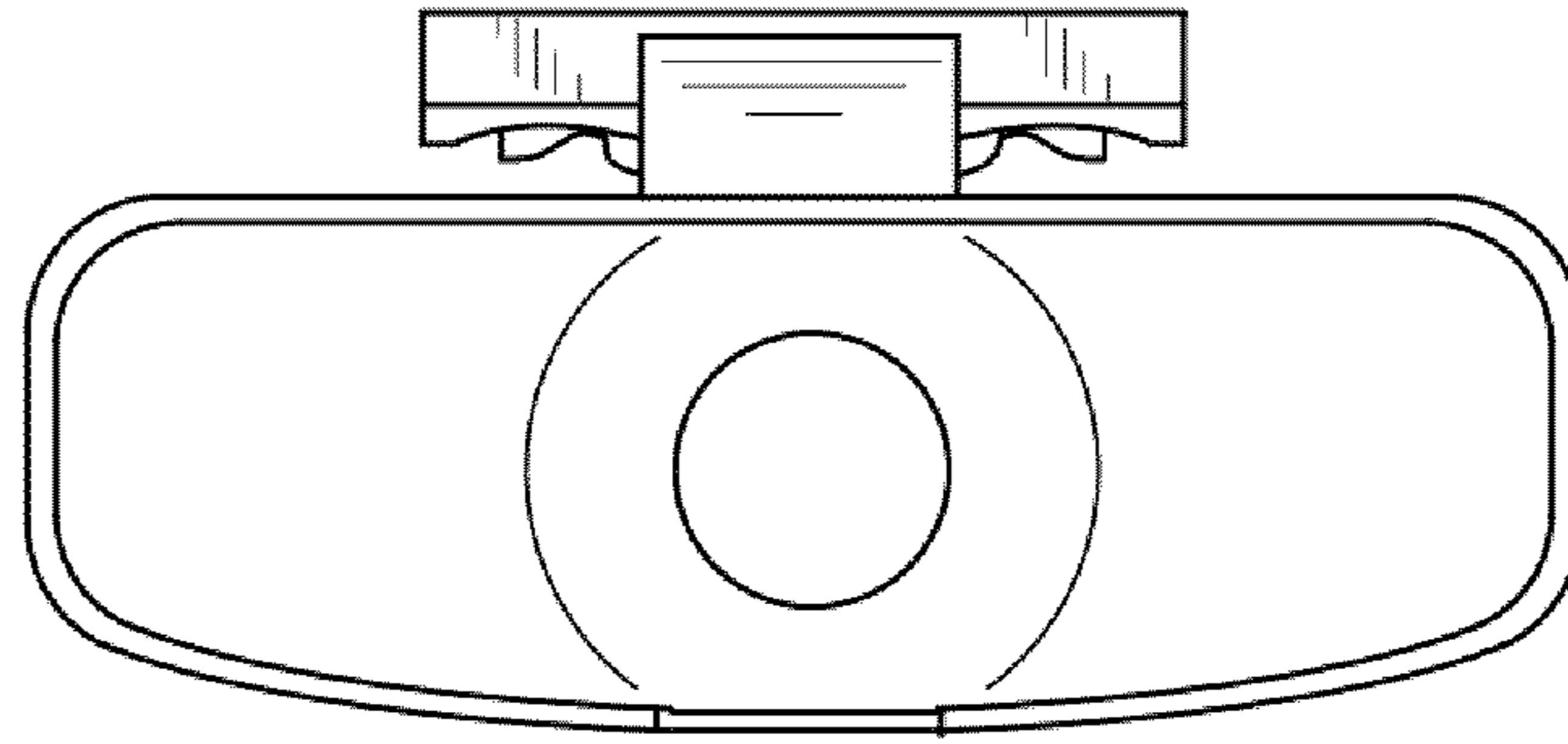


FIG. 12

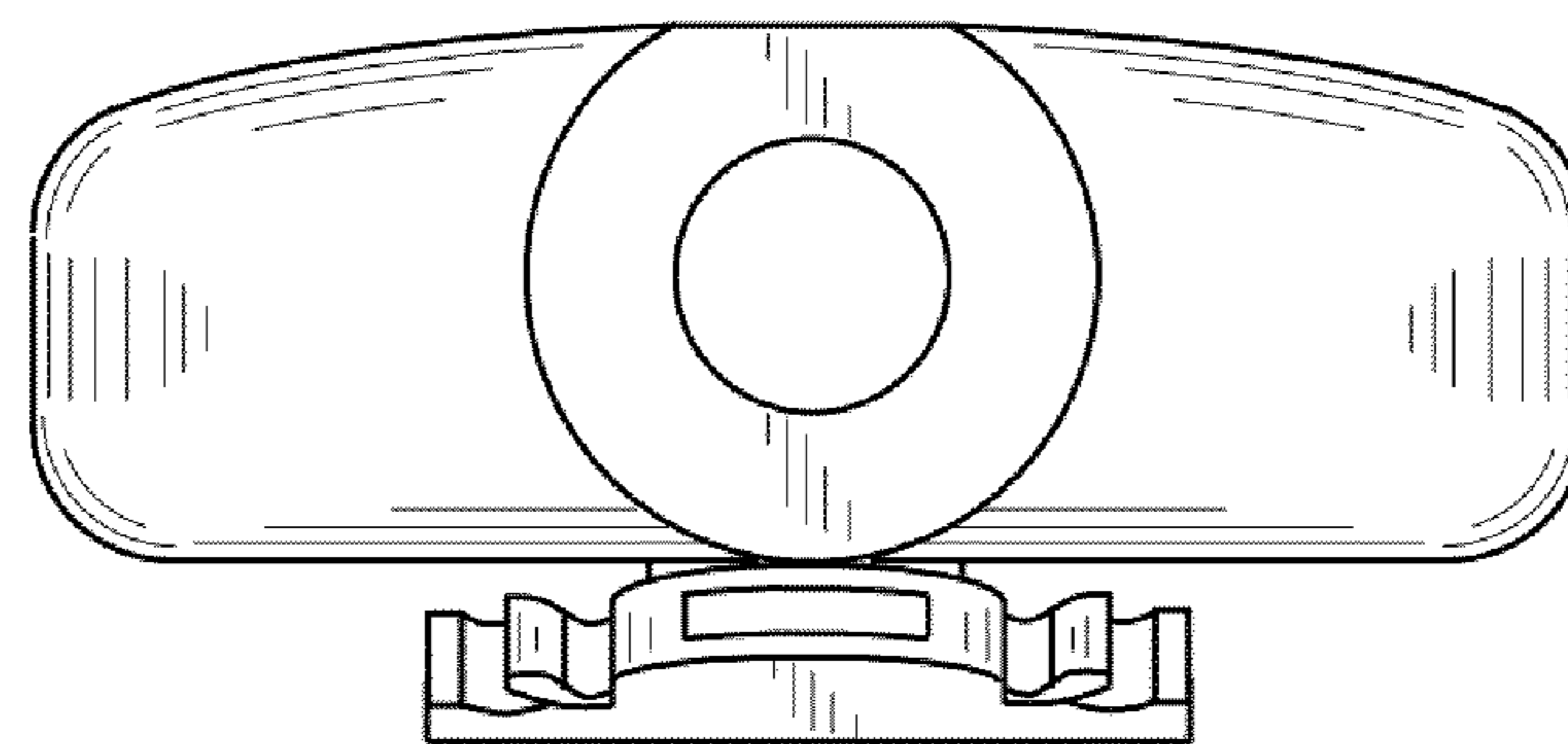


FIG. 13

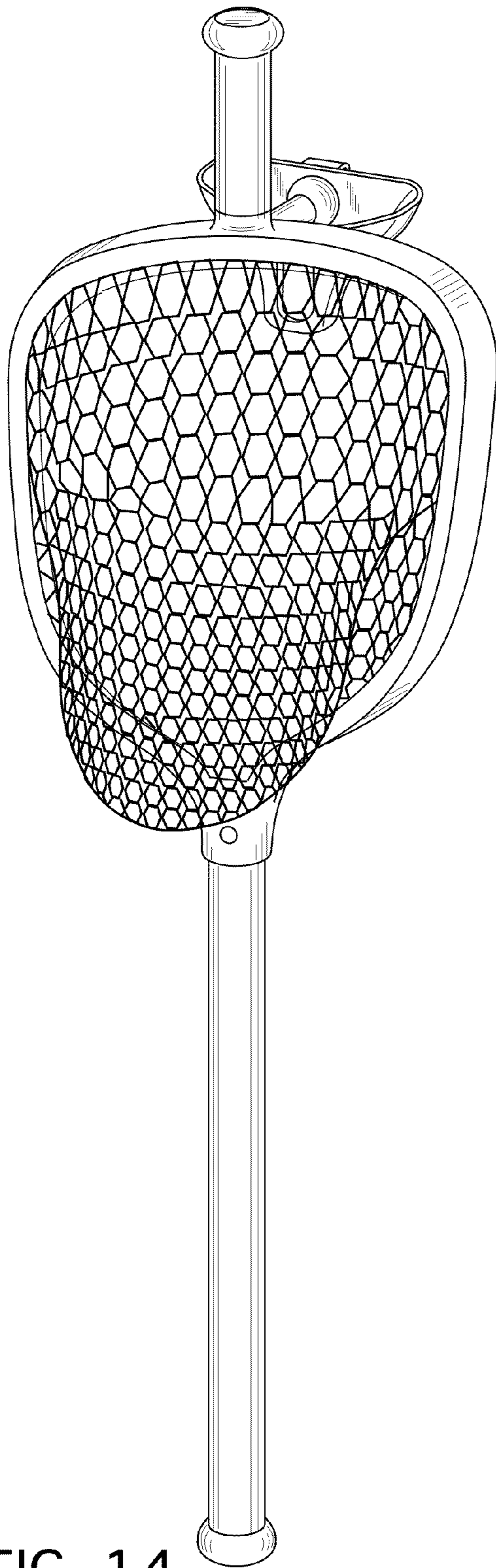


FIG. 14

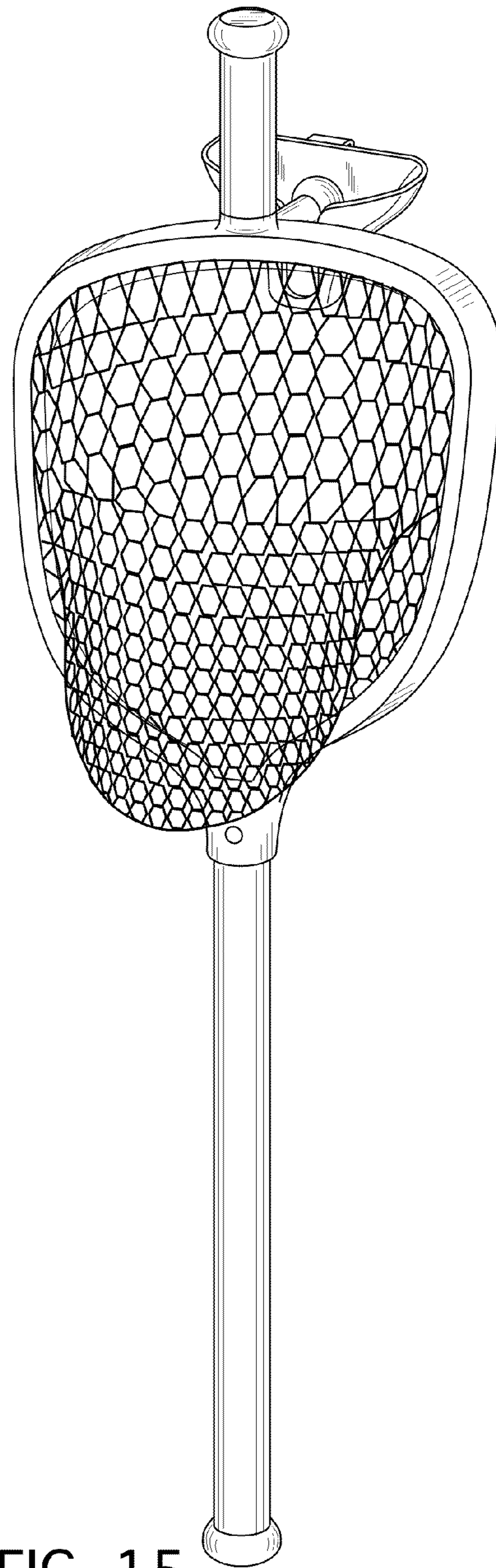


FIG. 15

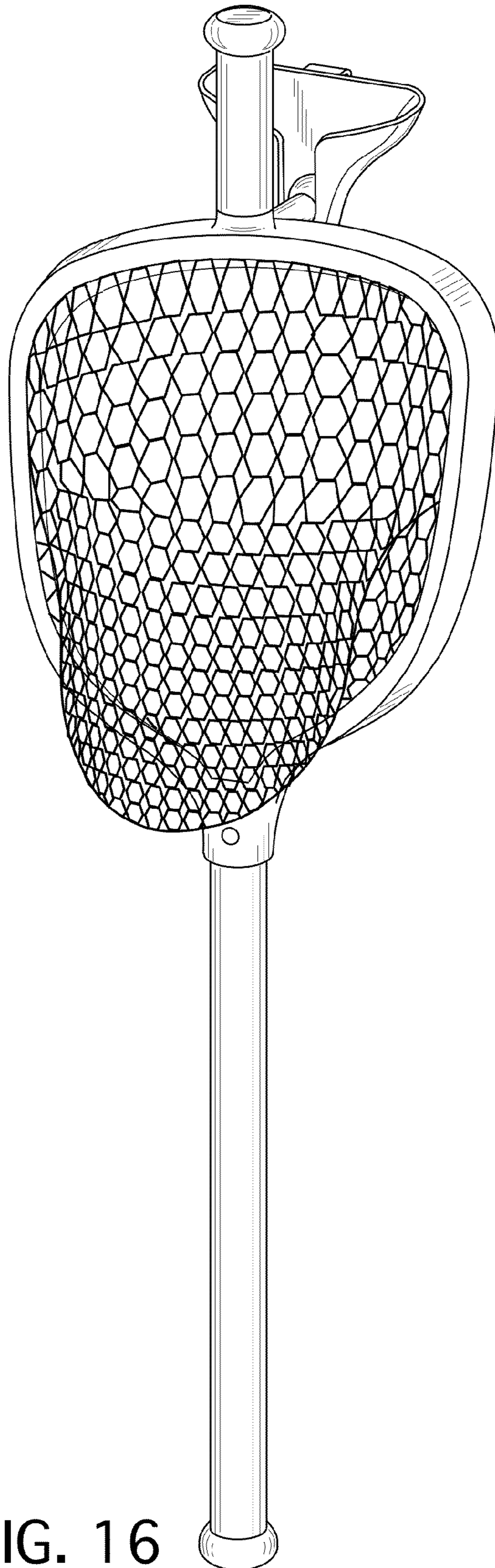


FIG. 16