



US00D676105S

(12) **United States Design Patent**
Denton

(10) **Patent No.:** **US D676,105 S**

(45) **Date of Patent:** **** Feb. 12, 2013**

(54) **LINE FISHING DEVICE WITH FISH STRIKE INDICATOR**

6,857,221 B2 * 2/2005 Johnson 43/44.87
D551,317 S * 9/2007 Hope D22/134
7,434,348 B1 * 10/2008 Welch 43/17

(76) Inventor: **Terry L. Denton**, Sapulpa, OK (US)

* cited by examiner

(**) Term: **14 Years**

Primary Examiner — Catheri Oliver-Garcia

(74) *Attorney, Agent, or Firm* — Terry L. Denton

(21) Appl. No.: **29/424,739**

(57) **CLAIM**

I claim the ornamental design for a line fishing device with fish strike indicator, as shown and described.

(22) Filed: **Jun. 14, 2012**

DESCRIPTION

(51) **LOC (9) Cl.** **22-05**

(52) **U.S. Cl.** **D22/134**

(58) **Field of Classification Search** D22/134-139,
D22/149, 199; 43/43.1, 15-17, 17.5, 25,
43/44.87

See application file for complete search history.

FIG. 1 is a perspective view of a line fishing device with fish strike indicator, showing my new design;
FIG. 2 is a front elevational view thereof;
FIG. 3 is a rear elevational view thereof;
FIG. 4 is a left-side elevational view thereof;
FIG. 5 is a right-side elevational view thereof;
FIG. 6 is a top plan view thereof; and,
FIG. 7 is a bottom plan view thereof.

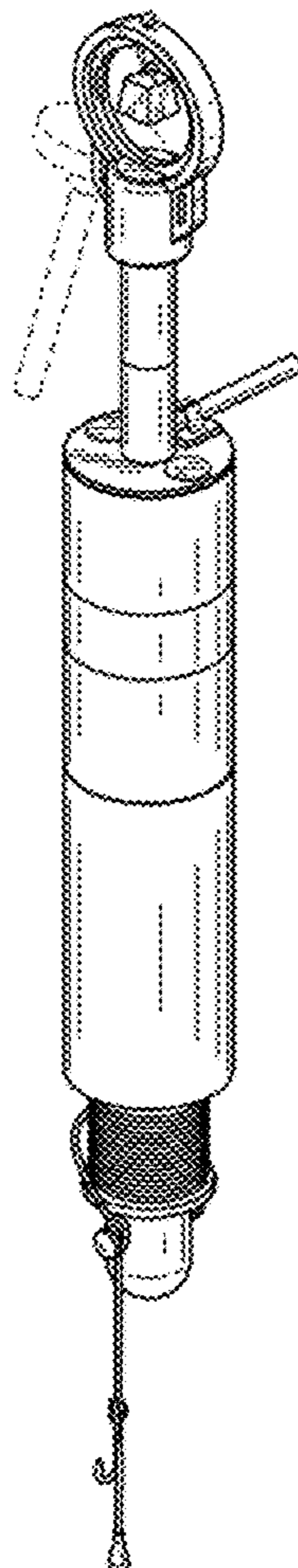
The broken lines showing water and a strike light in FIG. 1, and text in FIGS. 2-4, depict environmental matter and form no part of the claimed design.

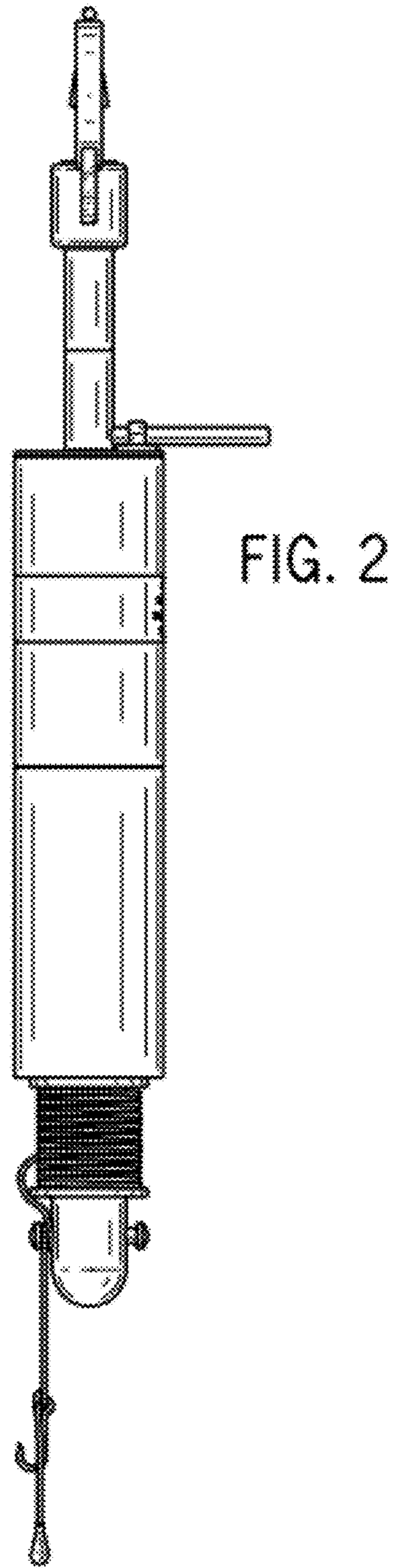
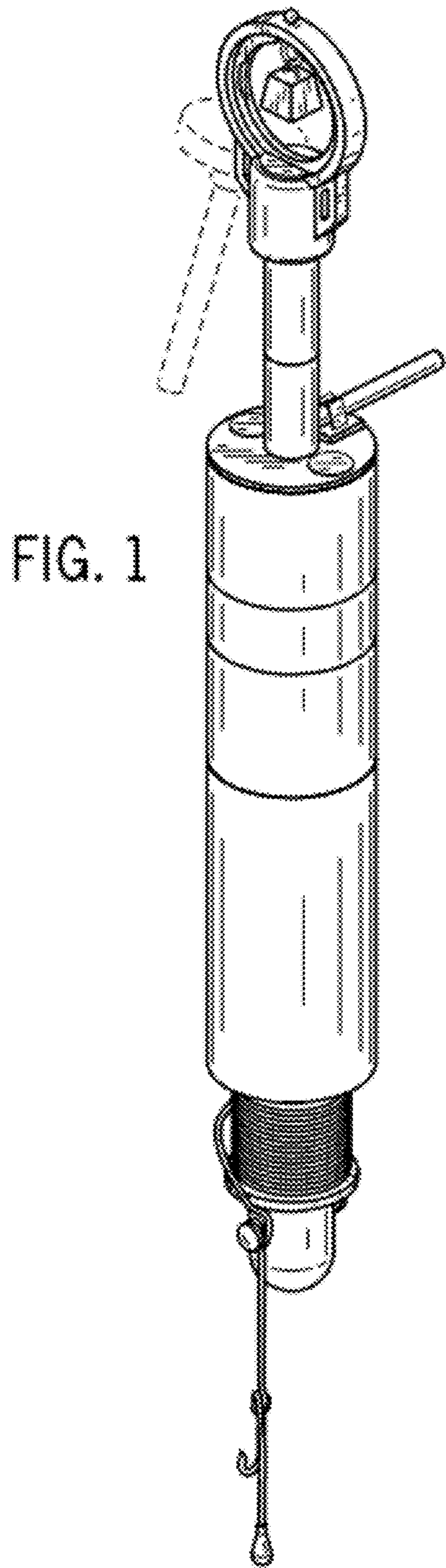
(56) **References Cited**

U.S. PATENT DOCUMENTS

D381,735 S *	7/1997	Dirito	D22/139
D401,995 S *	12/1998	Yamagata	D22/134
D403,737 S *	1/1999	Howe et al.	D22/139
D421,478 S *	3/2000	Medrano	D22/134
D484,563 S *	12/2003	Rozkowski	D22/134

1 Claim, 3 Drawing Sheets





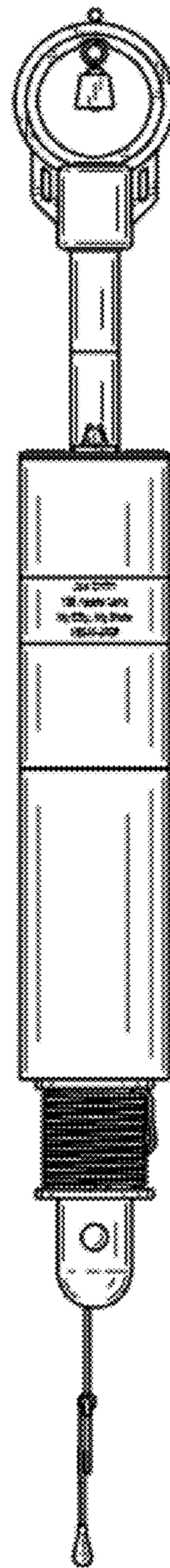
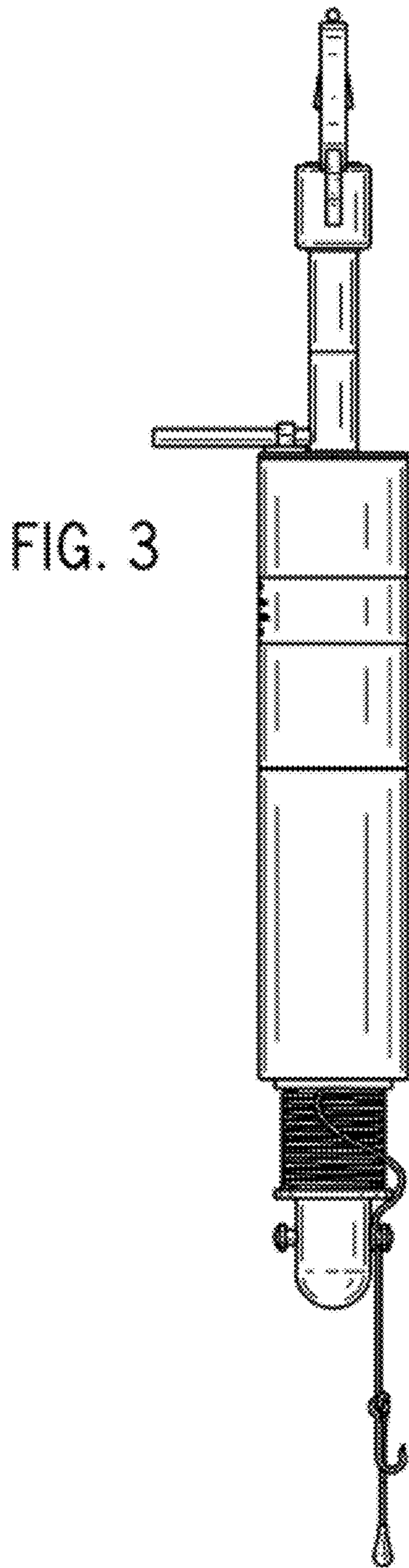


FIG. 5

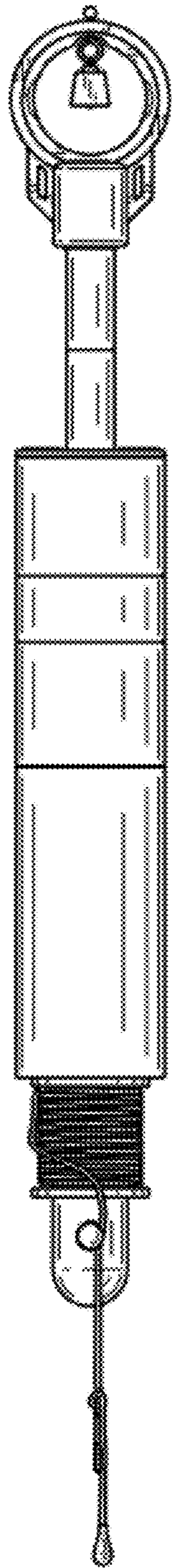


FIG. 6

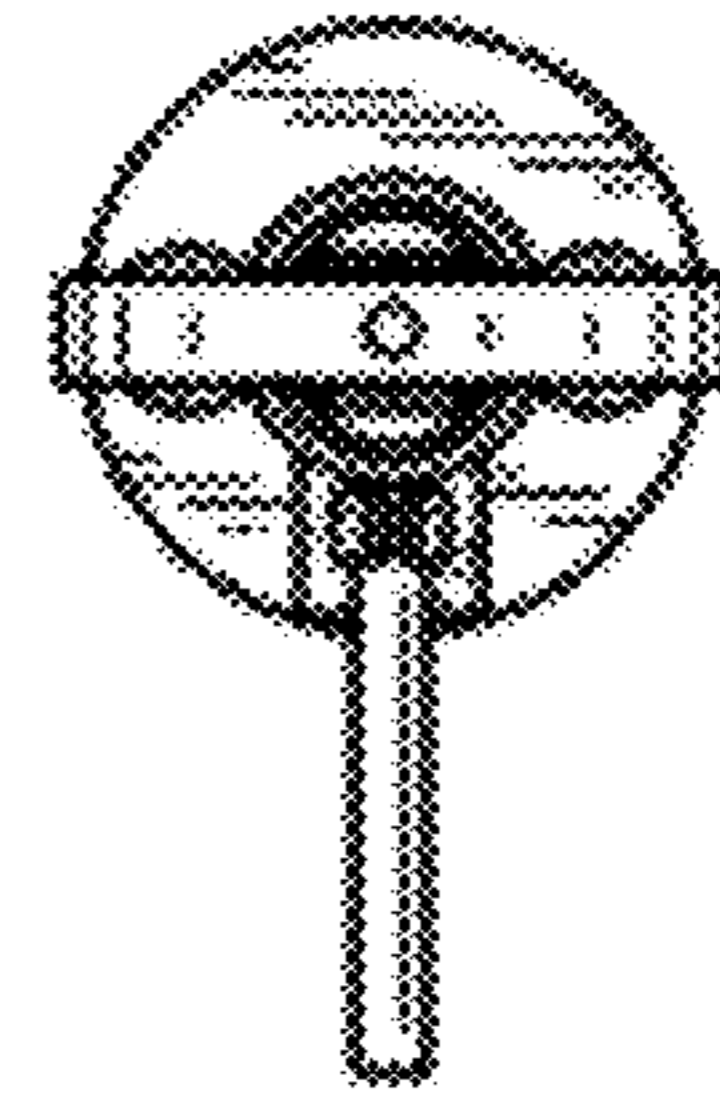


FIG. 7

