



US00D676097S

(12) **United States Design Patent**  
**Izumi**

(10) **Patent No.:** **US D676,097 S**

(45) **Date of Patent:** **\*\* Feb. 12, 2013**

(54) **GRIP LIGHT**

7,805,876 B1 10/2010 Danielson et al.  
D669,552 S \* 10/2012 Essig et al. .... D22/108  
D669,957 S \* 10/2012 Hughes et al. .... D22/108

(75) Inventor: **Terry Izumi**, Glendale, CA (US)

\* cited by examiner

(73) Assignee: **Battle Tek Industries Incorporated**,  
Palo Alto, CA (US)

*Primary Examiner* — Michael A Pratt

(\*\*) Term: **14 Years**

(74) *Attorney, Agent, or Firm* — Levine Begade Han LLP

(21) Appl. No.: **29/408,988**

(57) **CLAIM**

The ornamental design for a grip light, as shown and described.

(22) Filed: **Dec. 19, 2011**

(51) **LOC (9) Cl.** ..... **22-01**

(52) **U.S. Cl.** ..... **D22/109**

(58) **Field of Classification Search** ..... D22/108–110,  
D22/199; 89/111–133; 359/399, 409–411,  
359/823, 744; 42/104, 105, 111–113, 116,  
42/120, 124–126, 127–129, 141–148, 133–140;  
33/227, 229; D16/130–136; D26/38–39  
See application file for complete search history.

**DESCRIPTION**

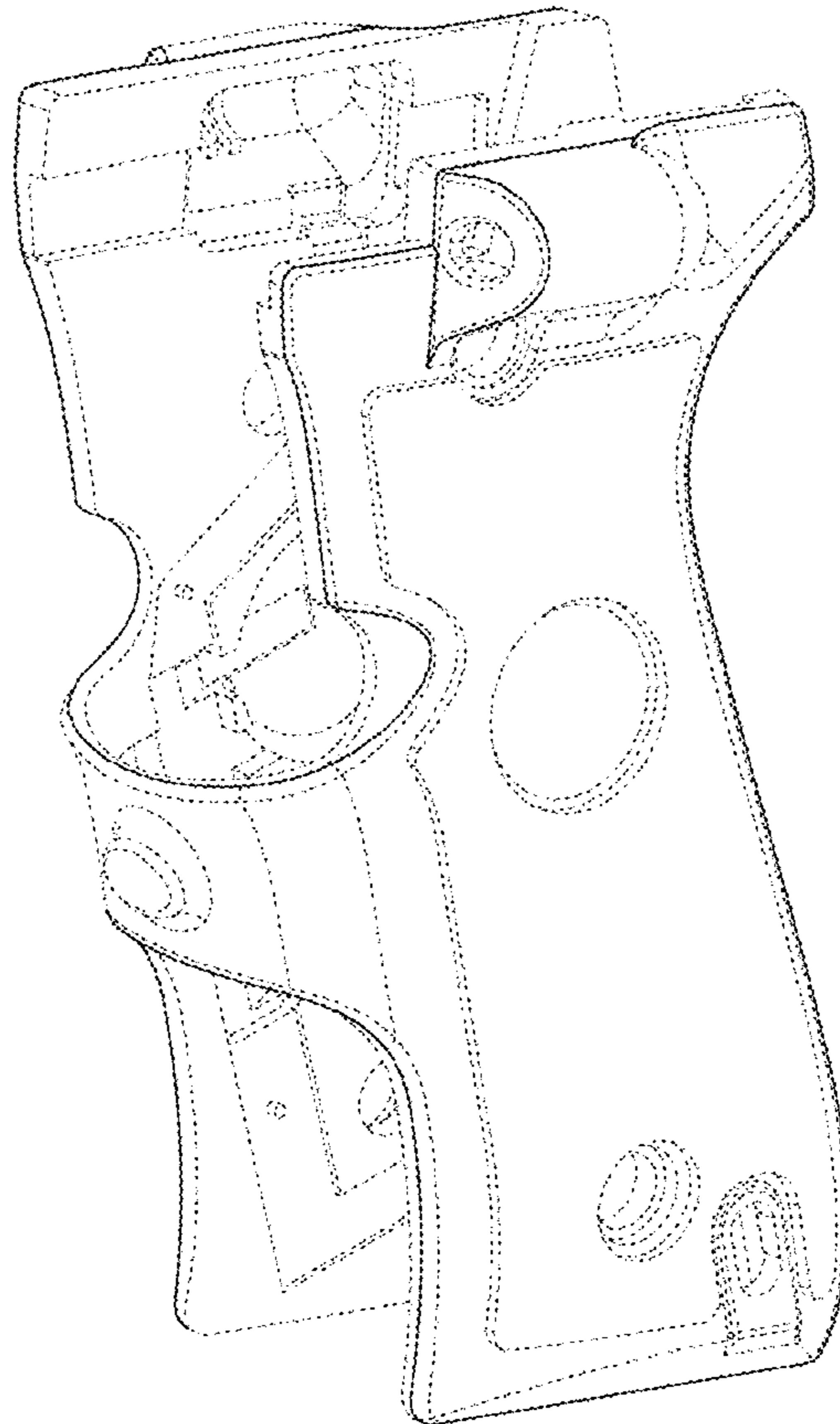
FIG. 1 is a top left perspective view of a grip light;  
FIG. 2 is a top right perspective view thereof;  
FIG. 3 is a top back perspective view thereof;  
FIG. 4 is a bottom left perspective view thereof;  
FIG. 5 is a bottom right perspective view thereof;  
FIG. 6 is a front view thereof;  
FIG. 7 is a rear view thereof;  
FIG. 8 is a left side view thereof;  
FIG. 9 is a right side view thereof;  
FIG. 10 is a top view thereof; and,  
FIG. 11 is a bottom view thereof.  
The elements shown in broken lines are to show environment  
and form no part-of the claimed design.

(56) **References Cited**

**U.S. PATENT DOCUMENTS**

5,435,091 A	7/1995	Toole et al.
6,578,311 B2	6/2003	Danielson et al.
6,671,991 B1	1/2004	Danielson
7,260,910 B2	8/2007	Danielson
D616,957 S	6/2010	Rievley et al.

**1 Claim, 10 Drawing Sheets**



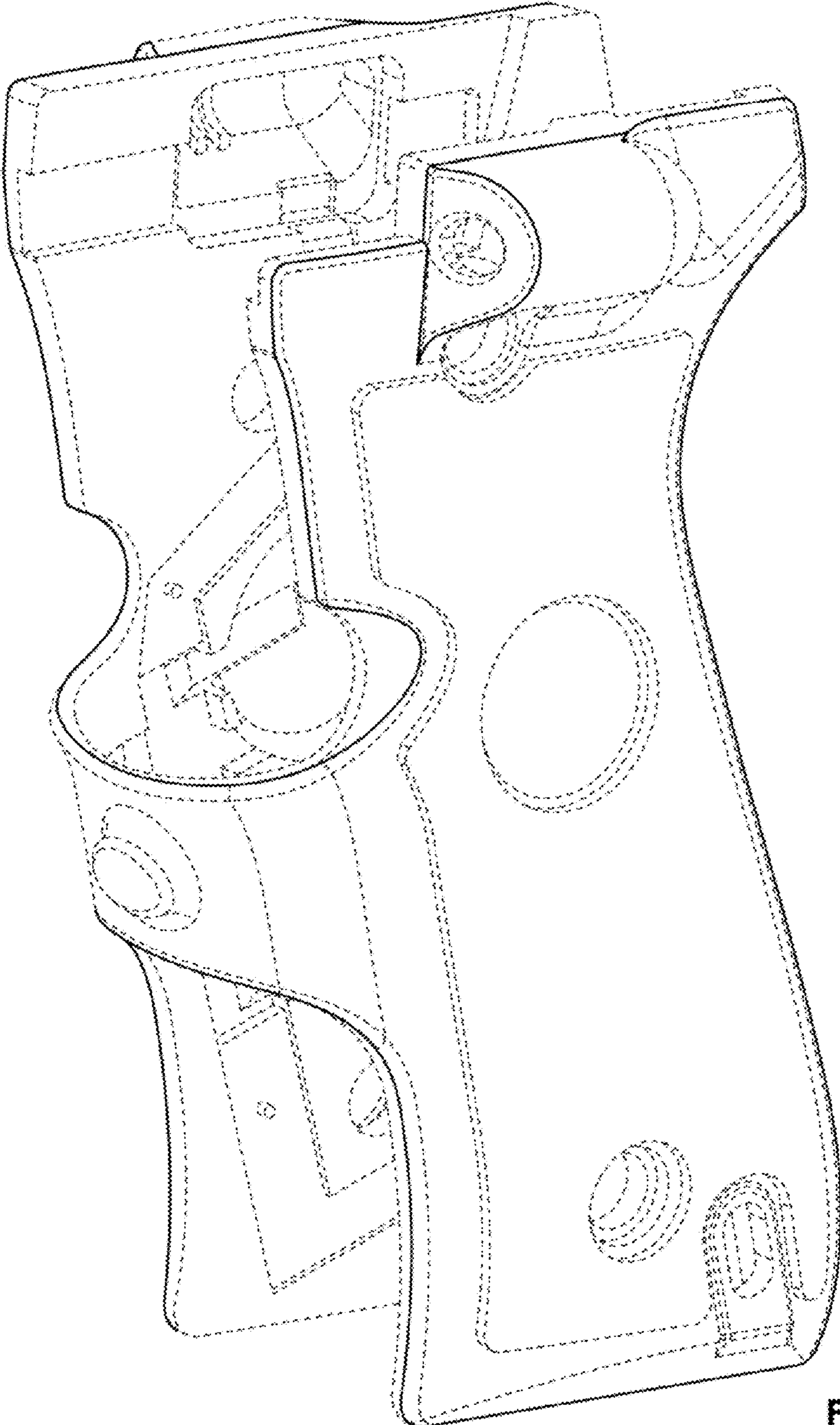


FIG. 1

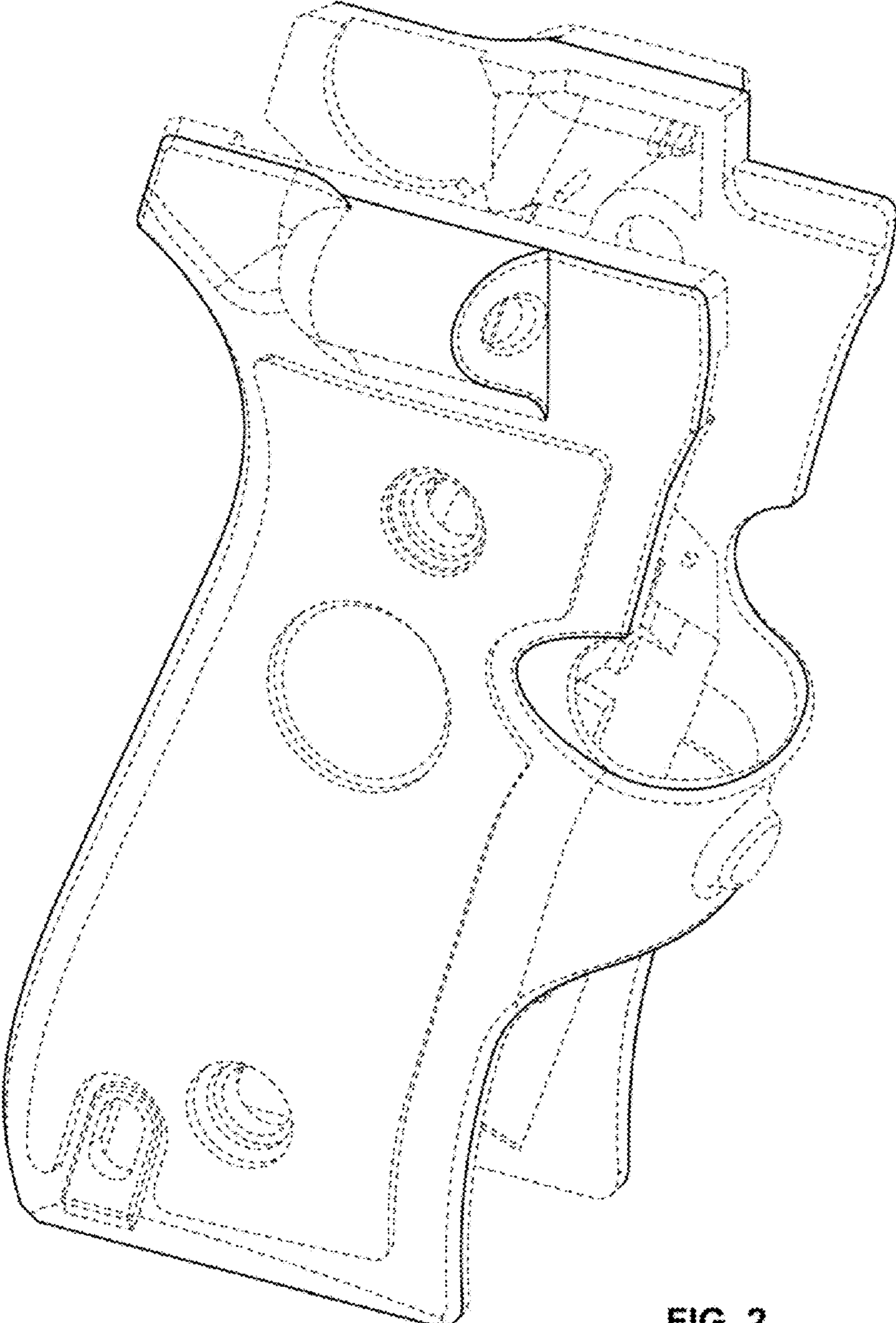


FIG. 2

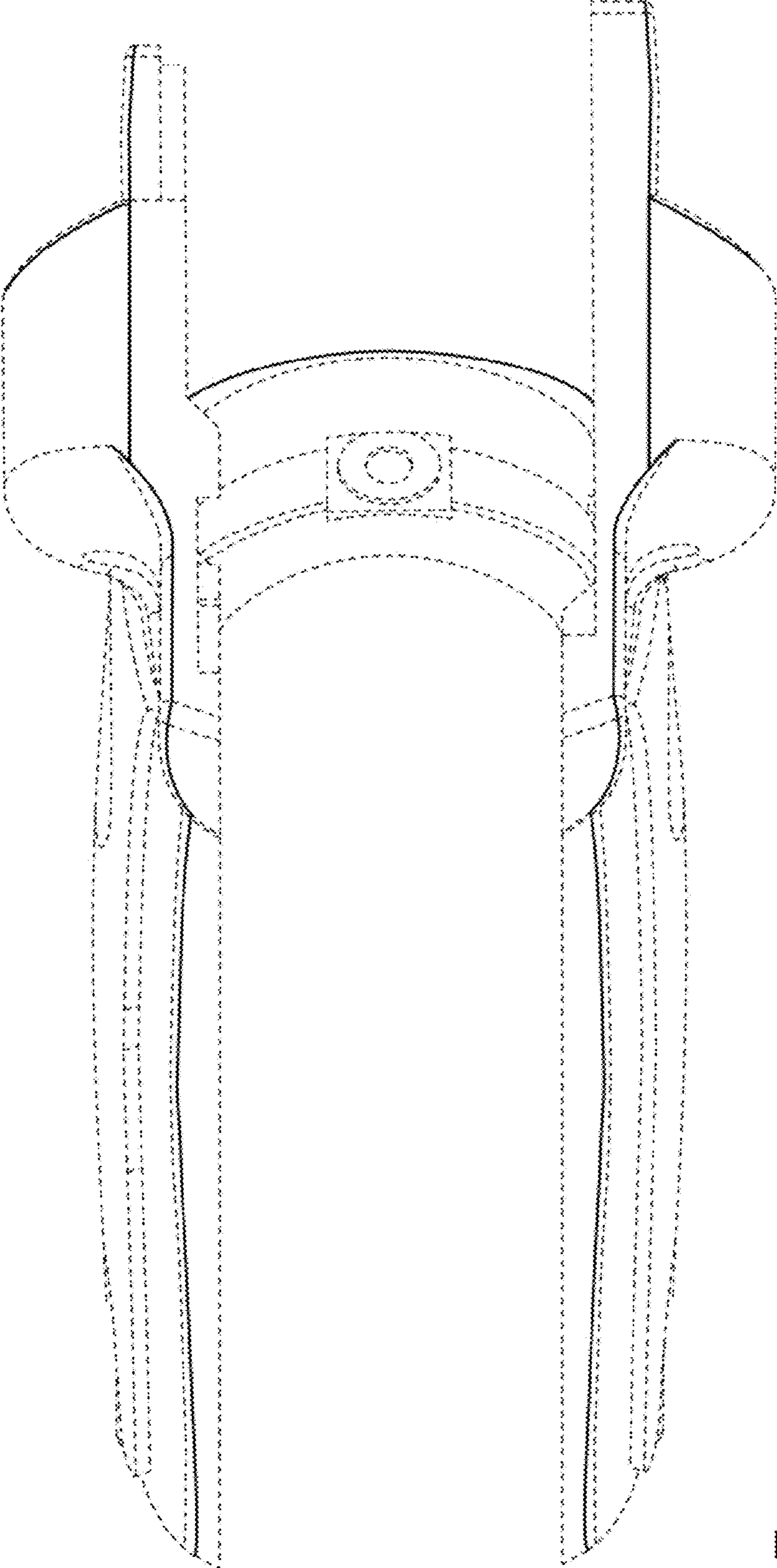


FIG. 3

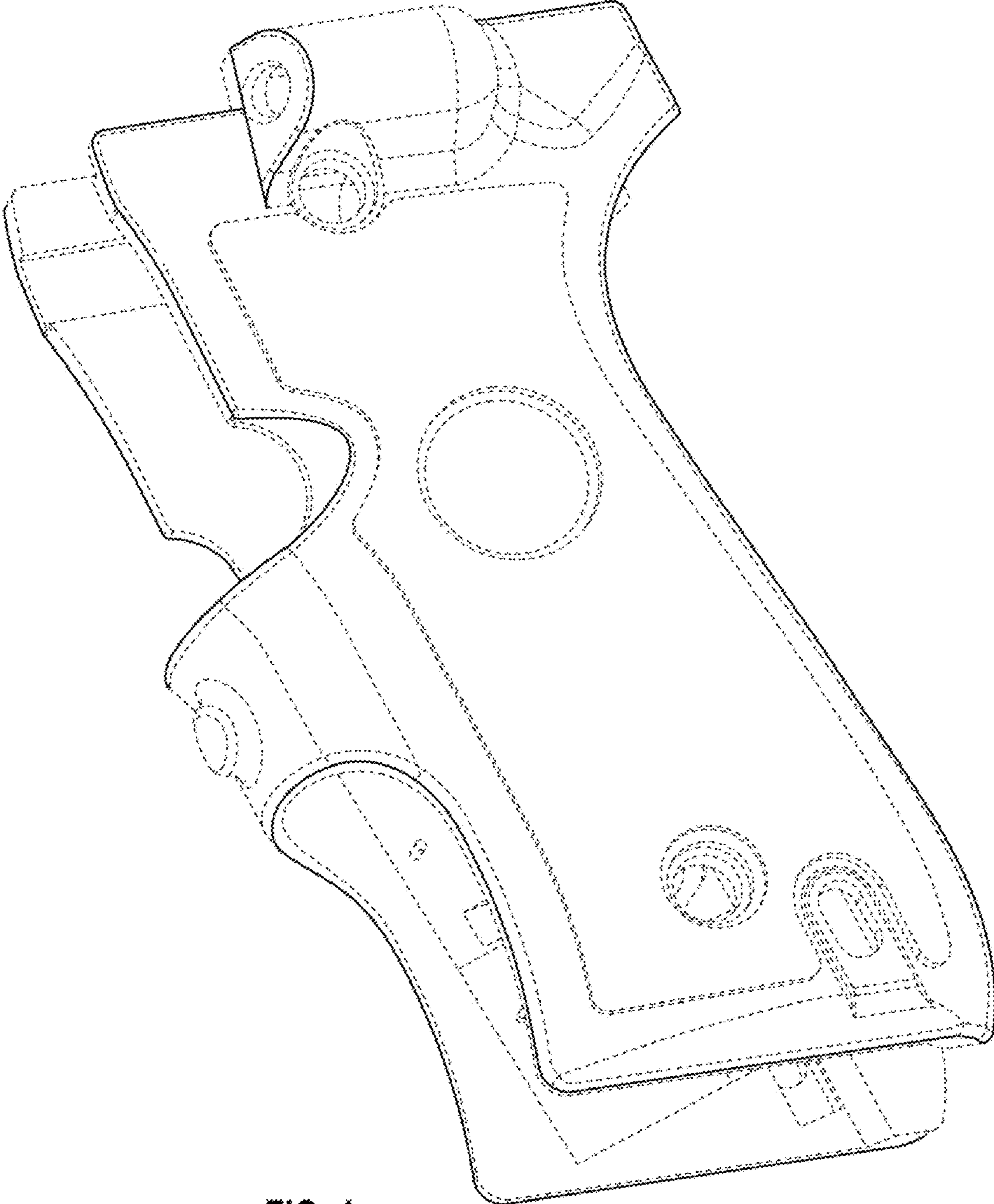


FIG. 4

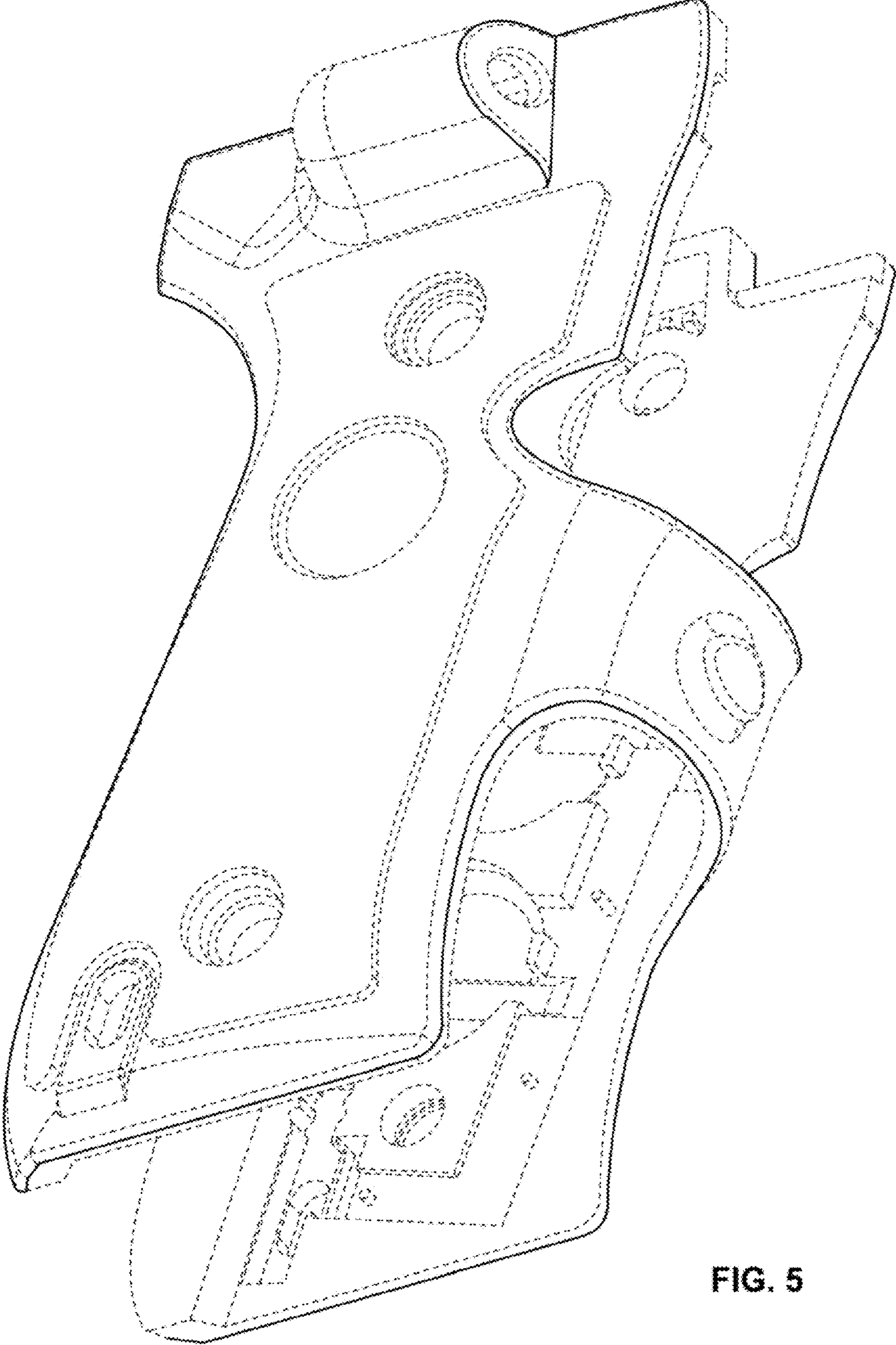


FIG. 5

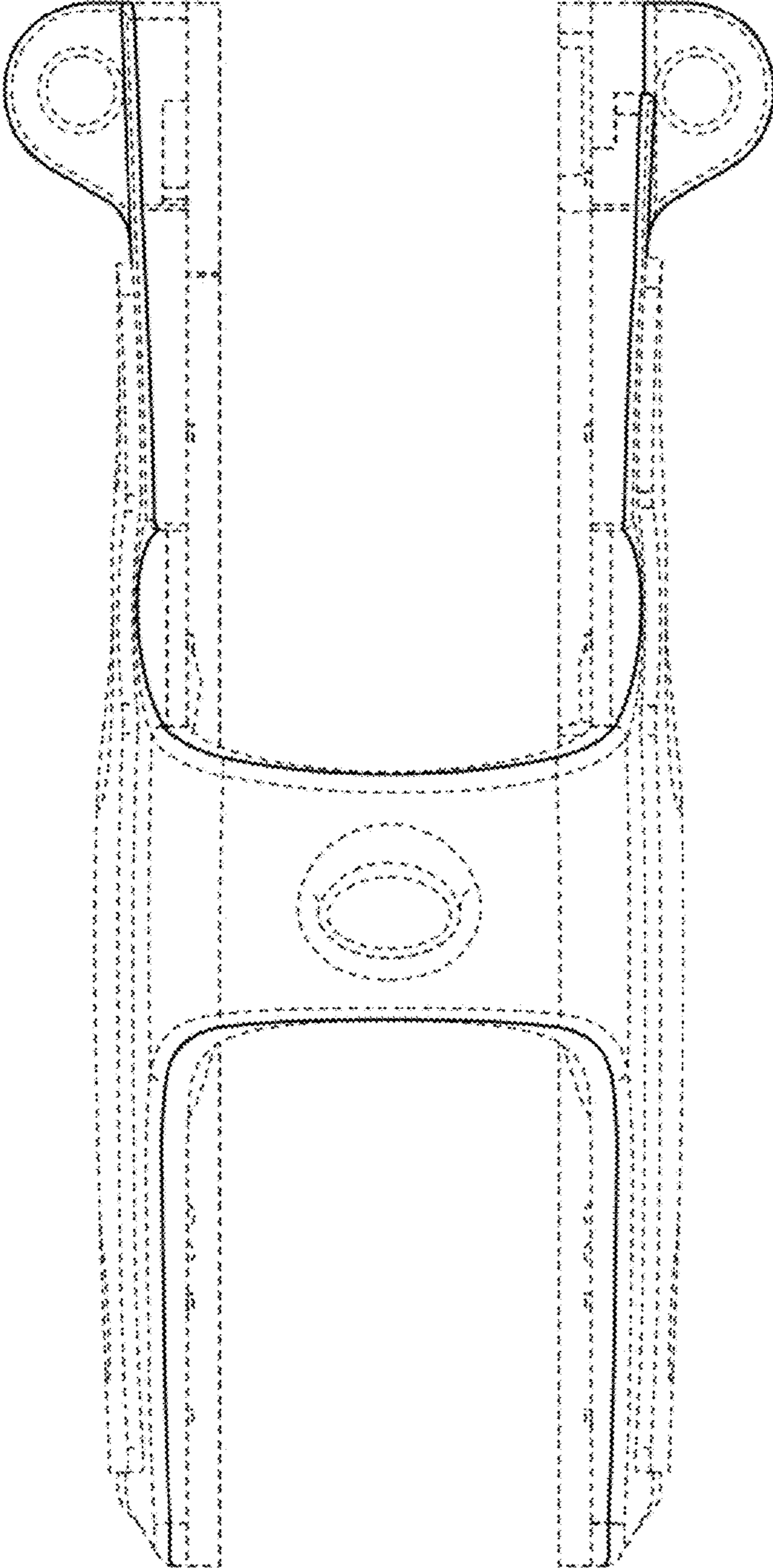


FIG. 6

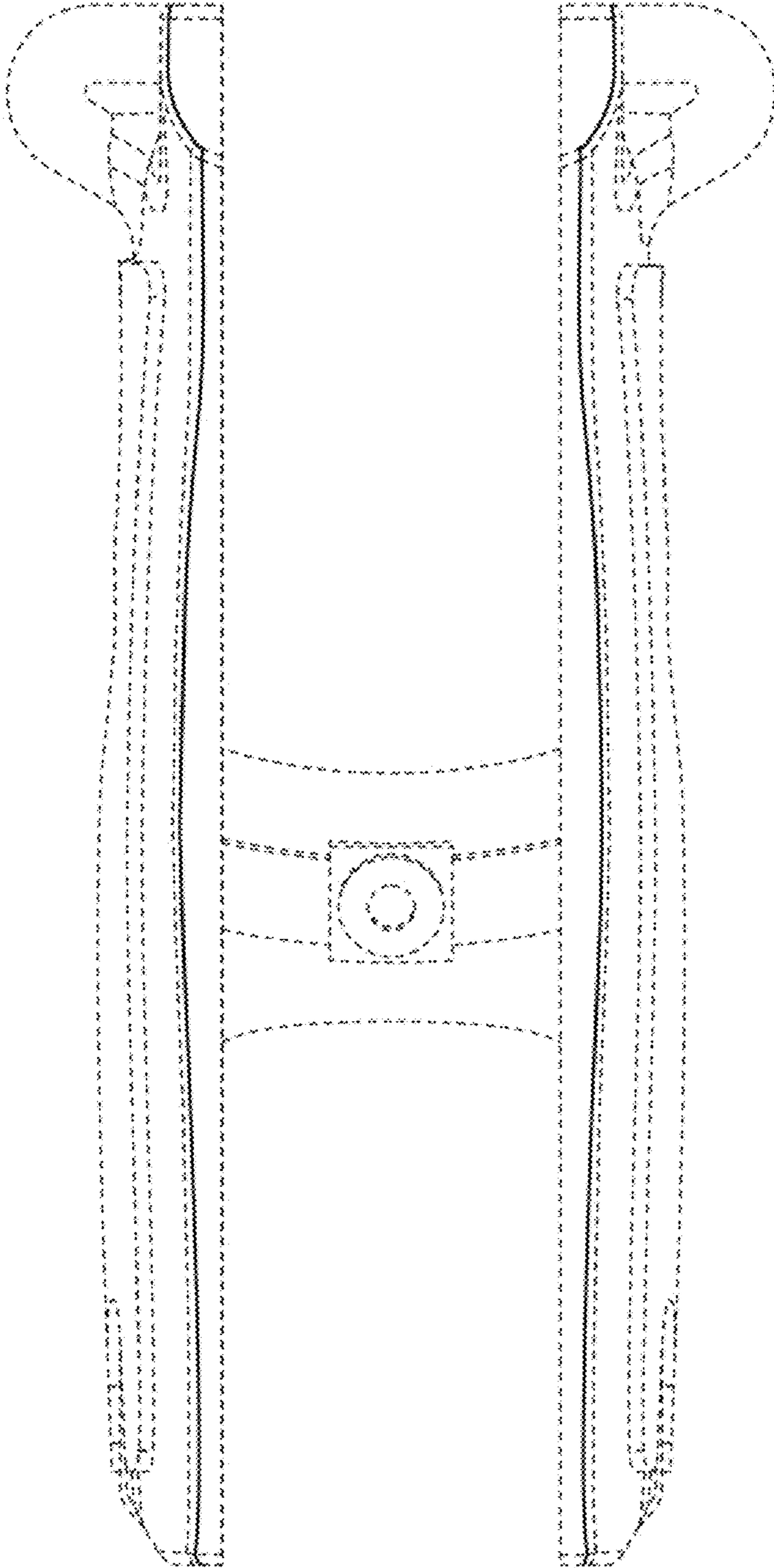


FIG. 7



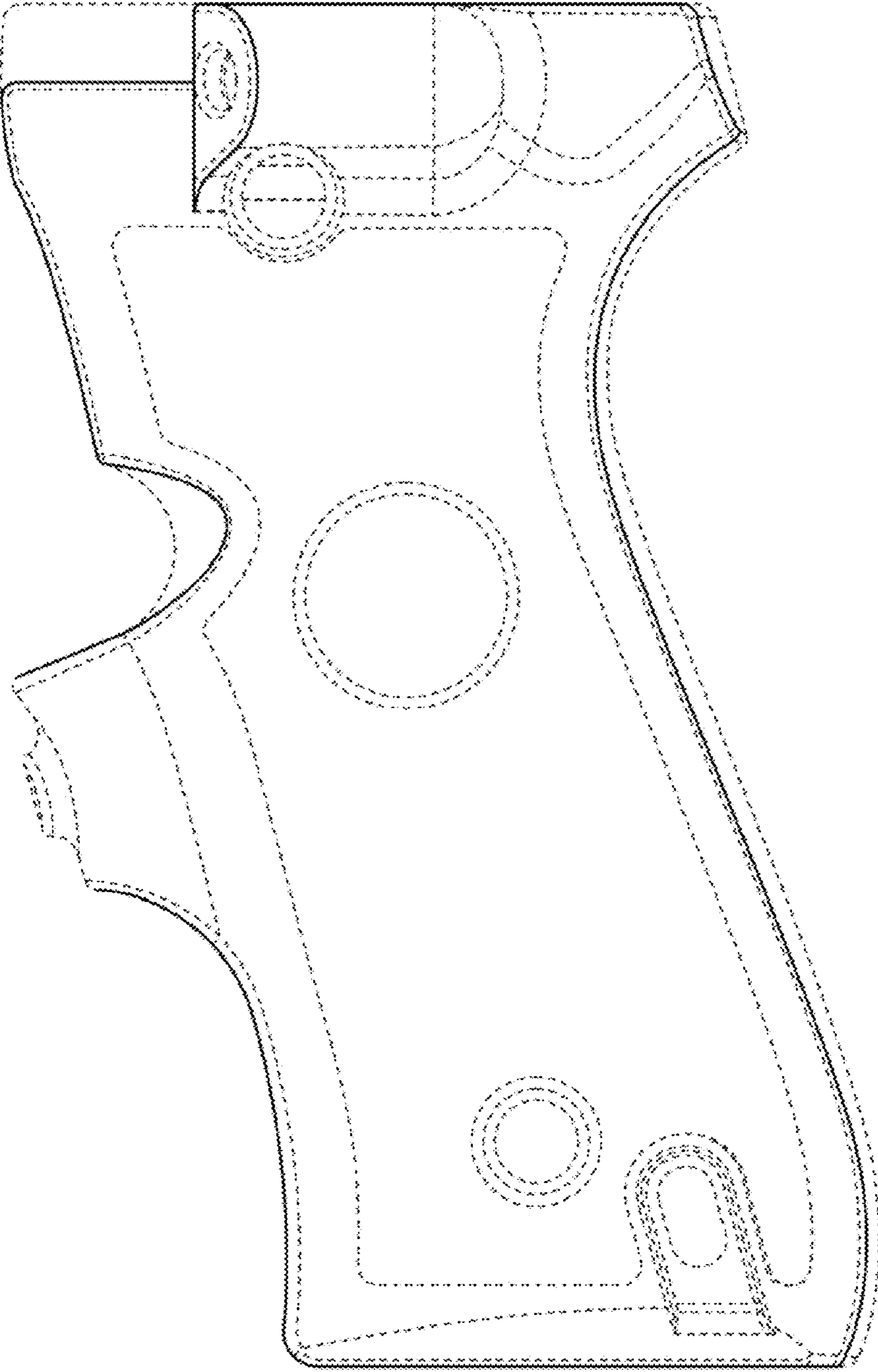


FIG. 8

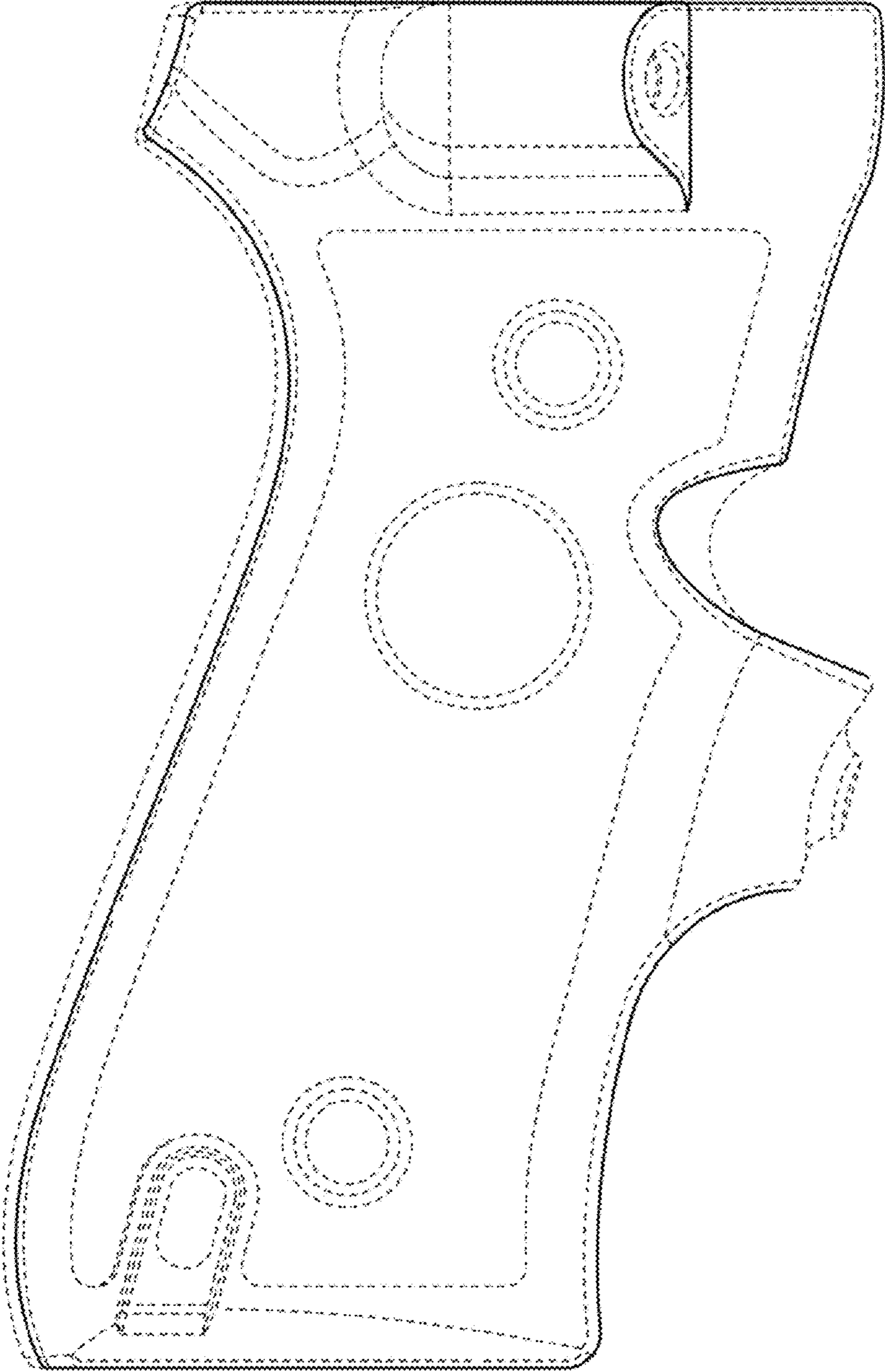


FIG. 9

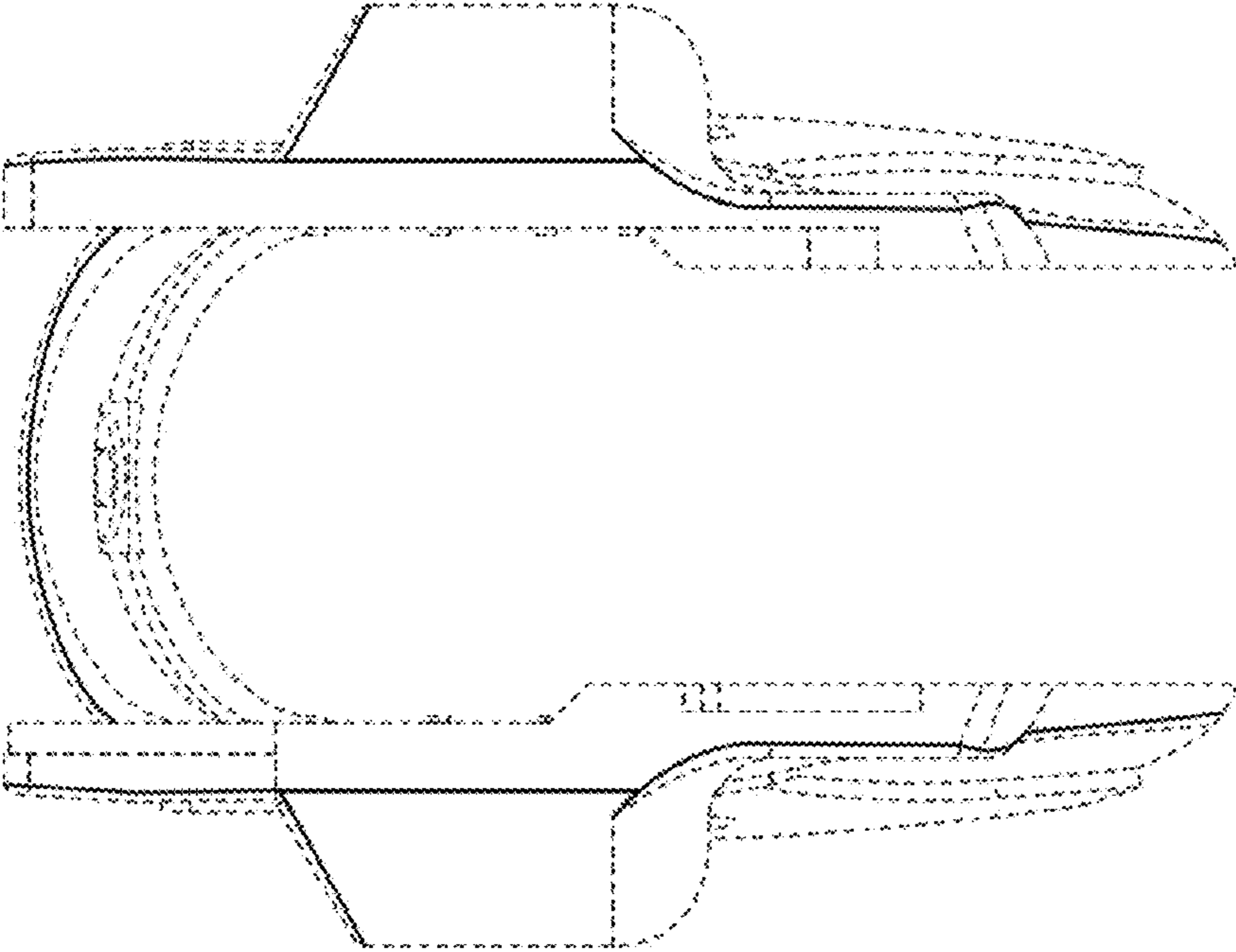


FIG. 10

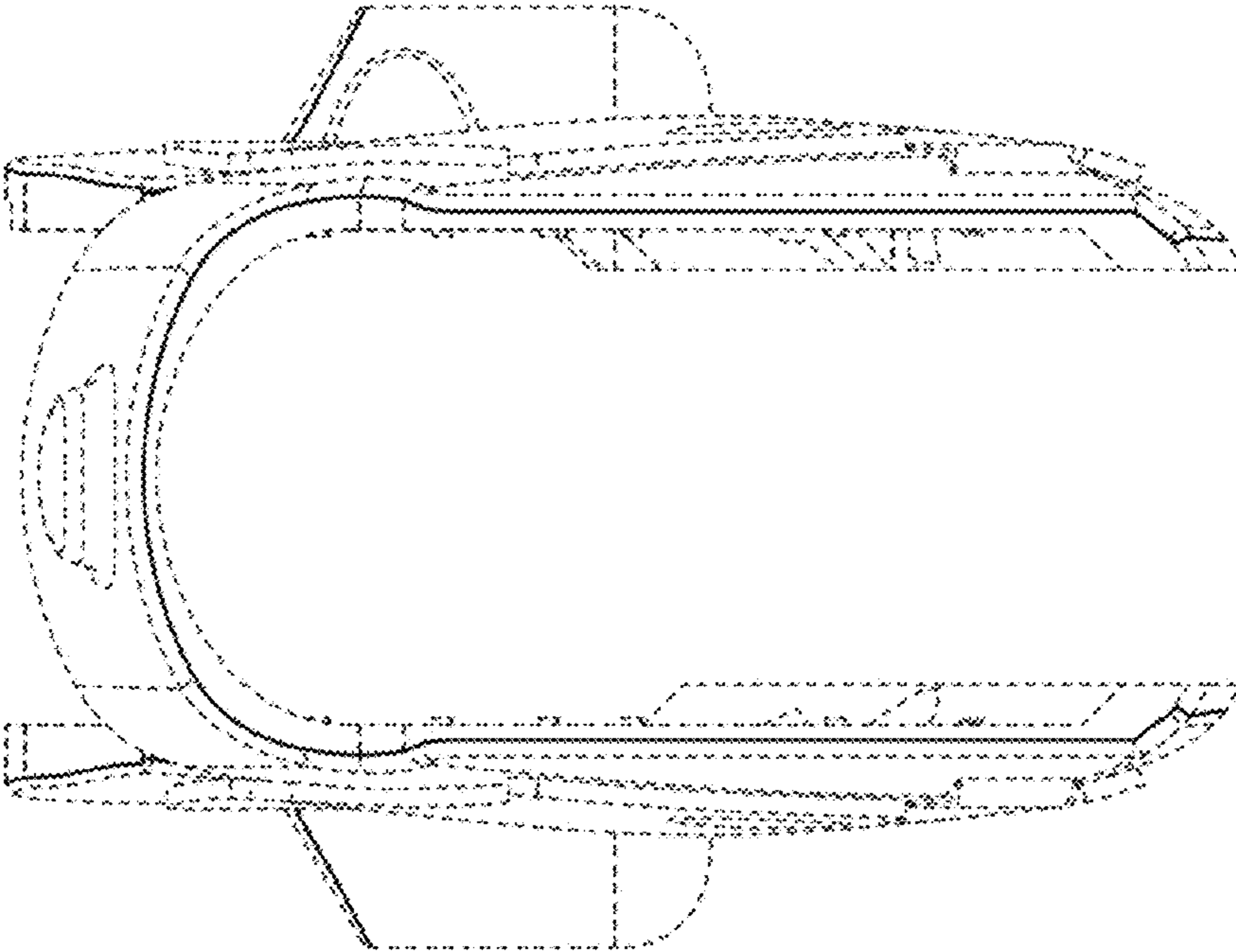


FIG. 11