



US00D676096S

(12) **United States Design Patent**
Gambino

(10) **Patent No.:** **US D676,096 S**

(45) **Date of Patent:** **** Feb. 12, 2013**

(54) **WEAPON SIGHTING DEVICE**

(75) **Inventor:** **Joseph Gambino**, Beaverton, OR (US)

(73) **Assignee:** **Leupold & Stevens, Inc.**, Beaverton, OR (US)

(**) **Term:** **14 Years**

(21) **Appl. No.:** **29/403,121**

(22) **Filed:** **Sep. 30, 2011**

(51) **LOC (9) Cl.** **22-01**

(52) **U.S. Cl.** **D22/109**

(58) **Field of Classification Search** D22/108-110;
359/399, 823, 744; 42/111, 133, 119, 122;
D16/132, 130, 133, 330, 134

See application file for complete search history.

(56) **References Cited**

U.S. PATENT DOCUMENTS

D349,510	S *	8/1994	Tomita	D16/132
D351,397	S *	10/1994	Dor	D16/130
D365,858	S *	1/1996	Tomita	D22/109
D413,130	S *	8/1999	Bryant et al.	D16/132
D420,718	S	2/2000	Ottelman et al.		
D427,275	S *	6/2000	Gilmore	D22/109
6,327,806	B1 *	12/2001	Paige	42/113
D522,031	S *	5/2006	Siu	D16/132
7,145,703	B2 *	12/2006	Sieczka et al.	359/15
7,225,576	B2 *	6/2007	Ballard	42/118
D590,970	S	4/2009	Kornfeld et al.		
D615,141	S *	5/2010	Leighton et al.	D22/108

8,087,196	B2 *	1/2012	Jung et al.	42/113
8,186,093	B1 *	5/2012	Chung	42/113
D662,566	S *	6/2012	Estes	D22/109

OTHER PUBLICATIONS

Trijicon, Inc, Trijicon ACOG®, www.trijicon.com/na_en/products/product3.php?pid+TA01NSN-RMR, sold at least one year prior to filing date (at least as early as Sep. 2010).

* cited by examiner

Primary Examiner — Michael A Pratt

(74) *Attorney, Agent, or Firm* — Stoel Rives LLP

(57) **CLAIM**

I claim the ornamental design for a weapon sighting device, as shown and described.

DESCRIPTION

FIG. 1 is a front, top, right side isometric view of a weapon sighting device;

FIG. 2 is a left side view of the weapon sighting device of FIG. 1;

FIG. 3 is a top view of the weapon sighting device of FIG. 1;

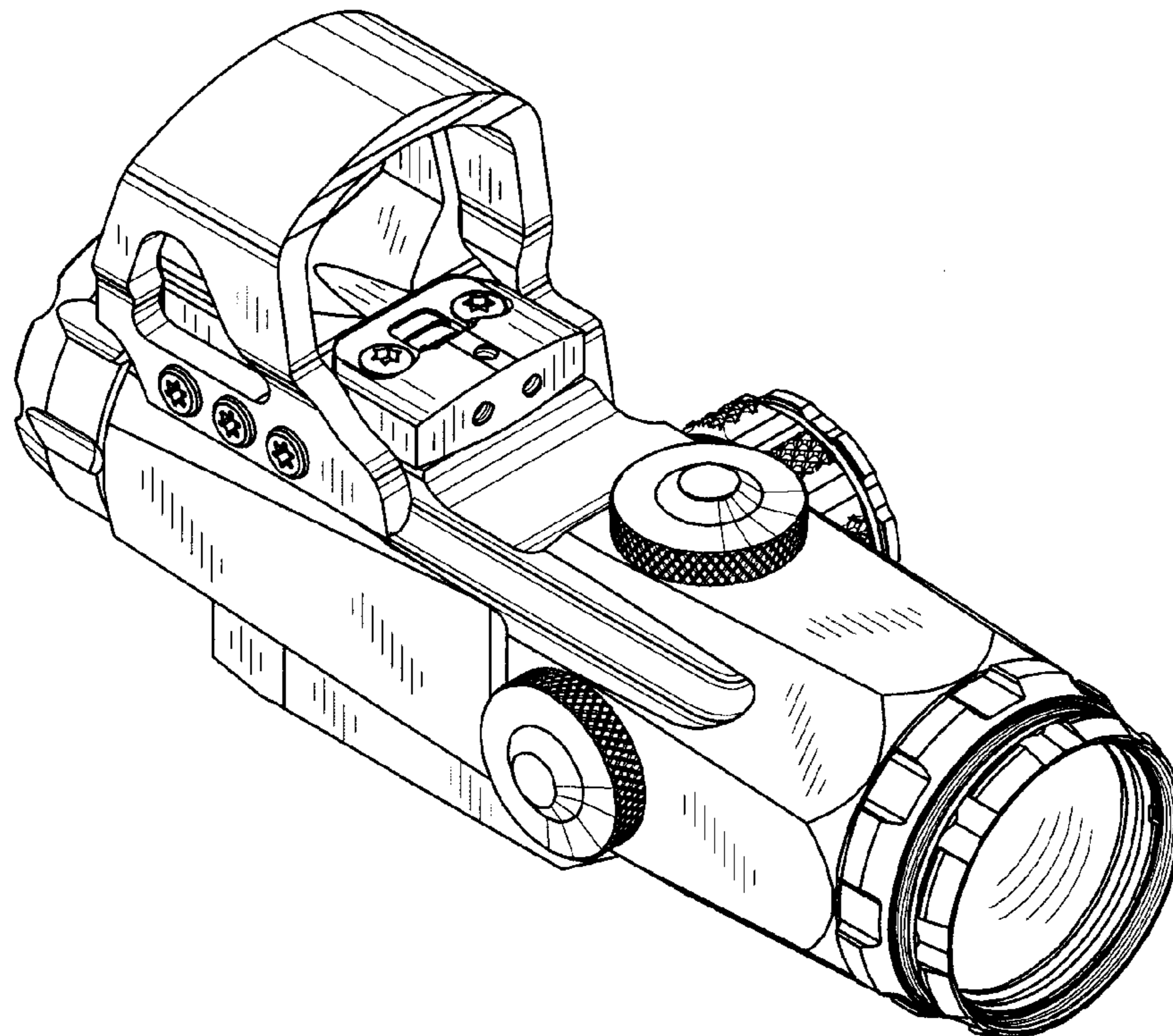
FIG. 4 is a right side view of the weapon sighting device of FIG. 1;

FIG. 5 is a bottom view of the weapon sighting device of FIG. 1.

FIG. 6 is a rear view of the weapon sighting device of FIG. 1; and,

FIG. 7 is a front view of the weapon sighting device of FIG. 1.

1 Claim, 3 Drawing Sheets



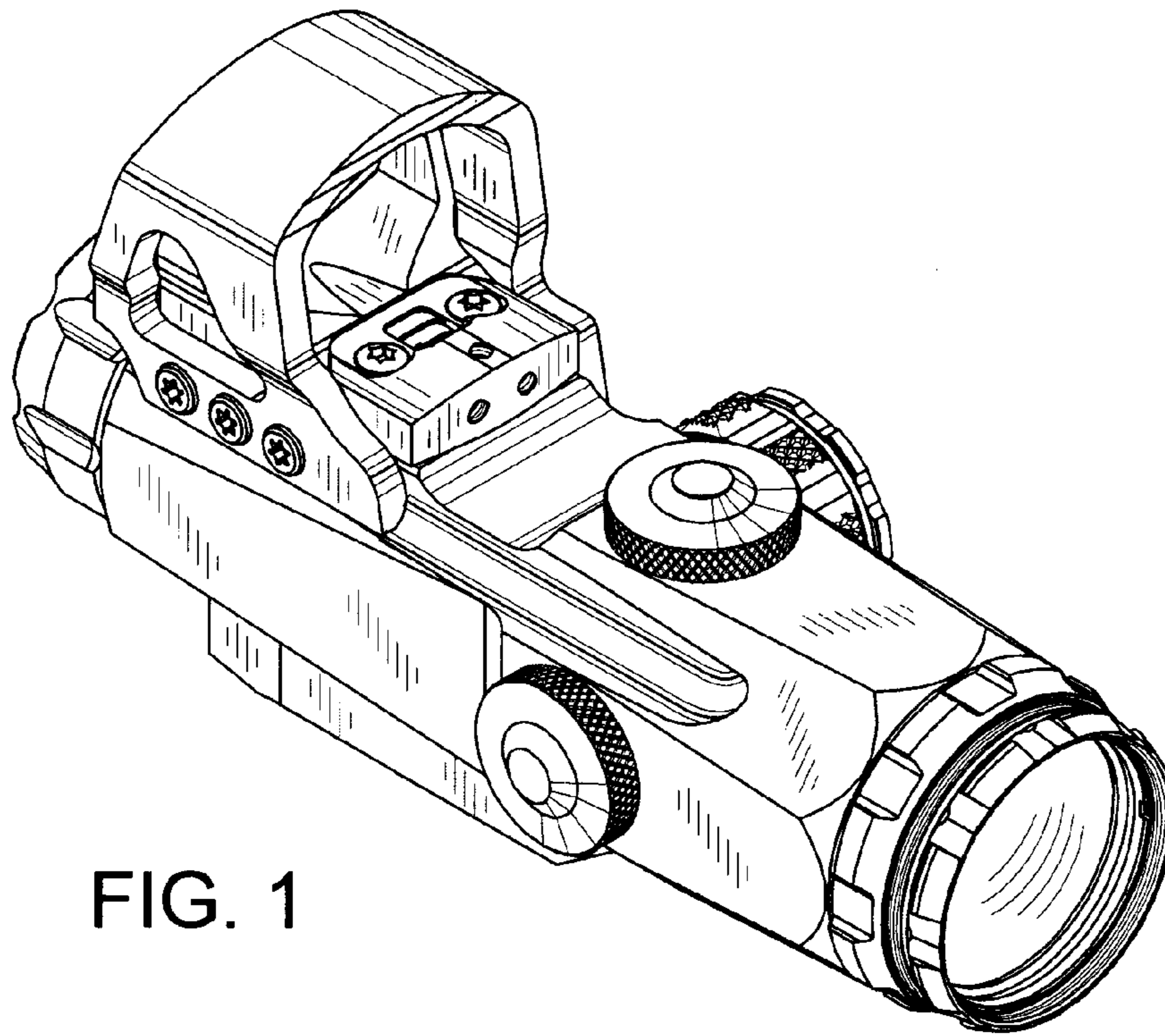


FIG. 1

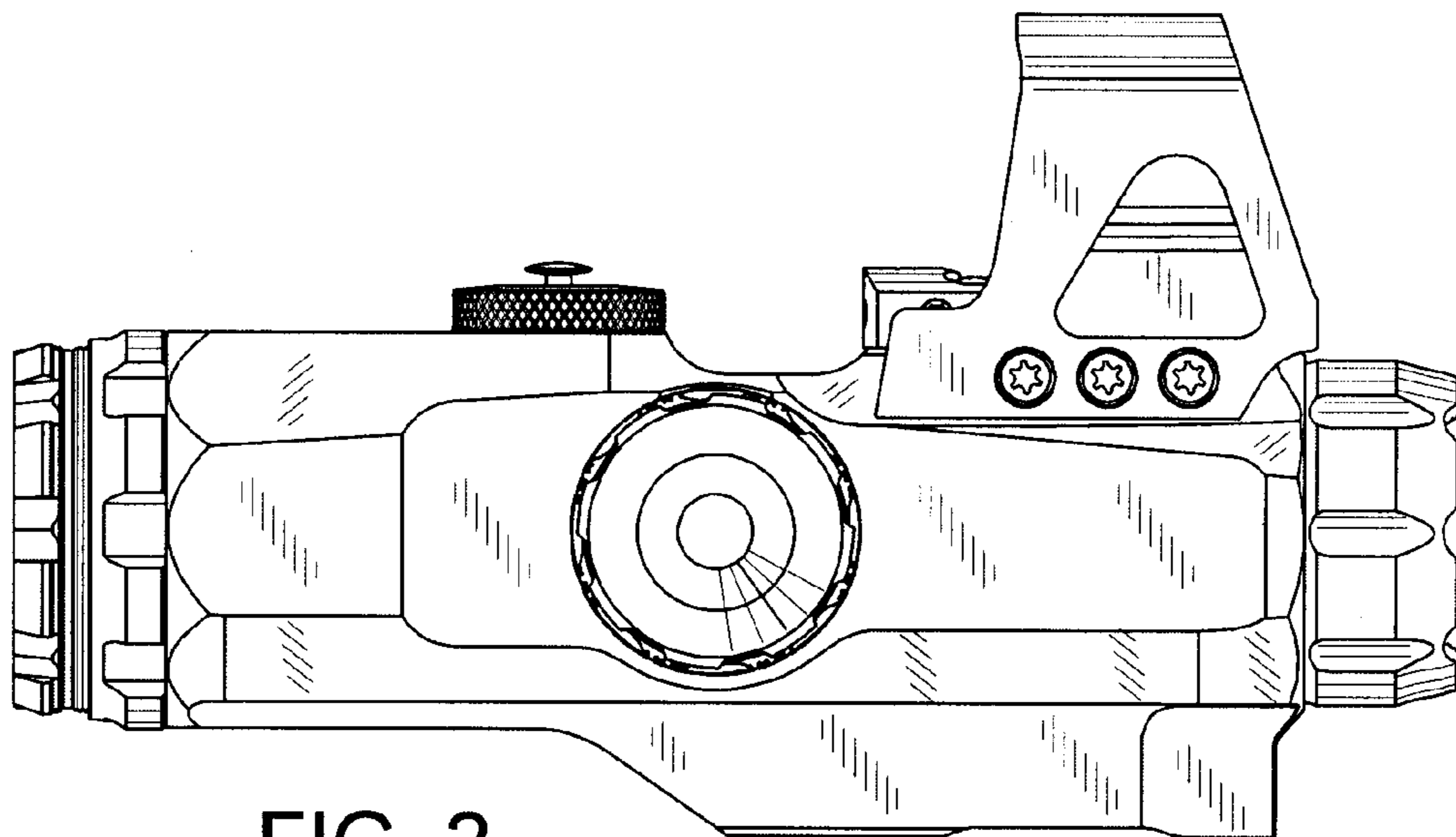


FIG. 2

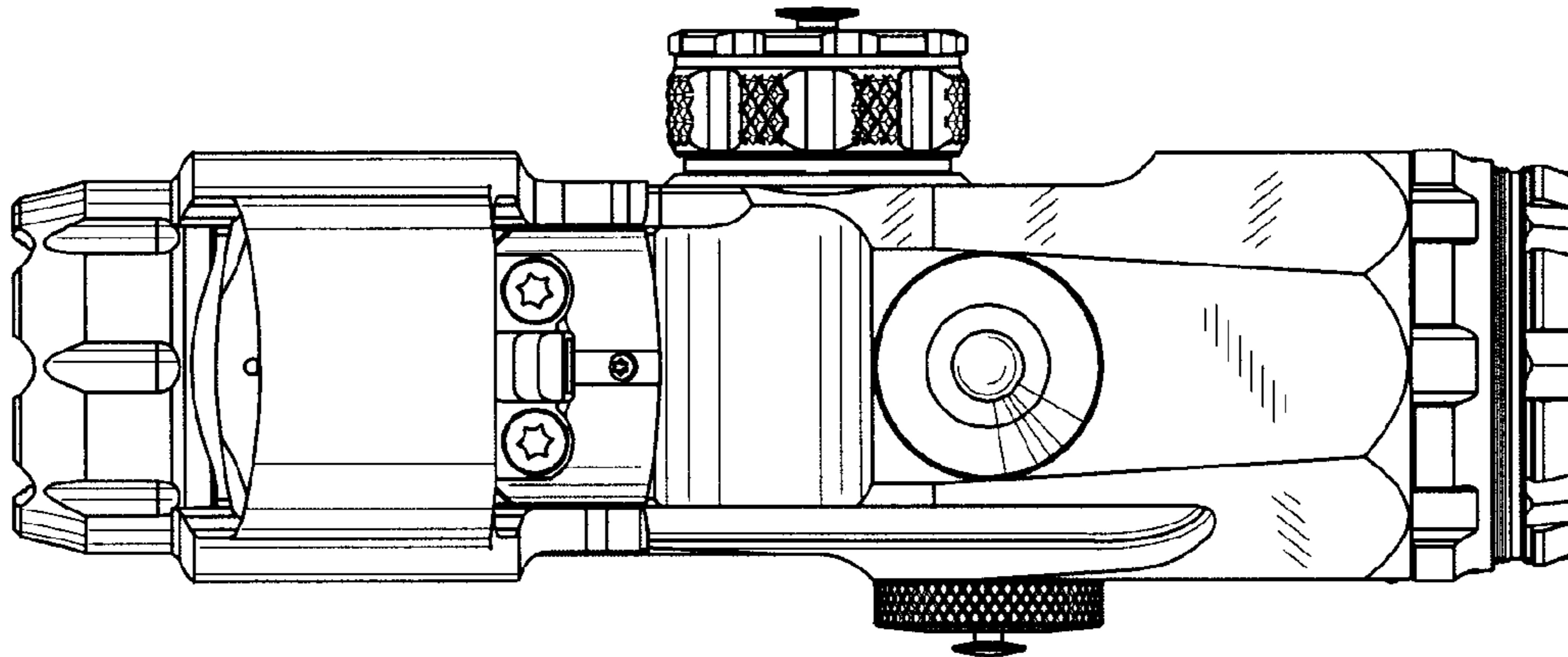


FIG. 3

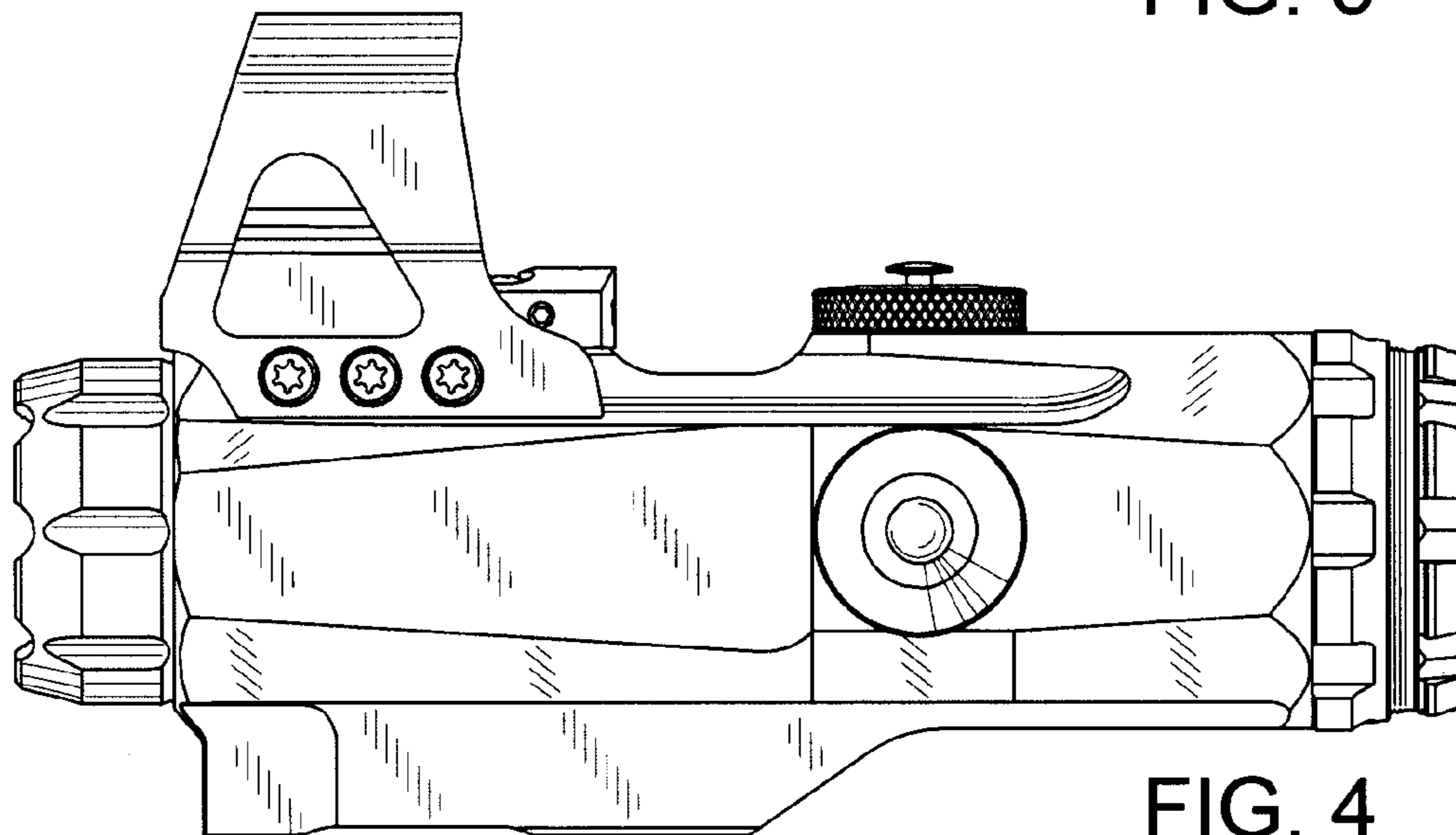


FIG. 4

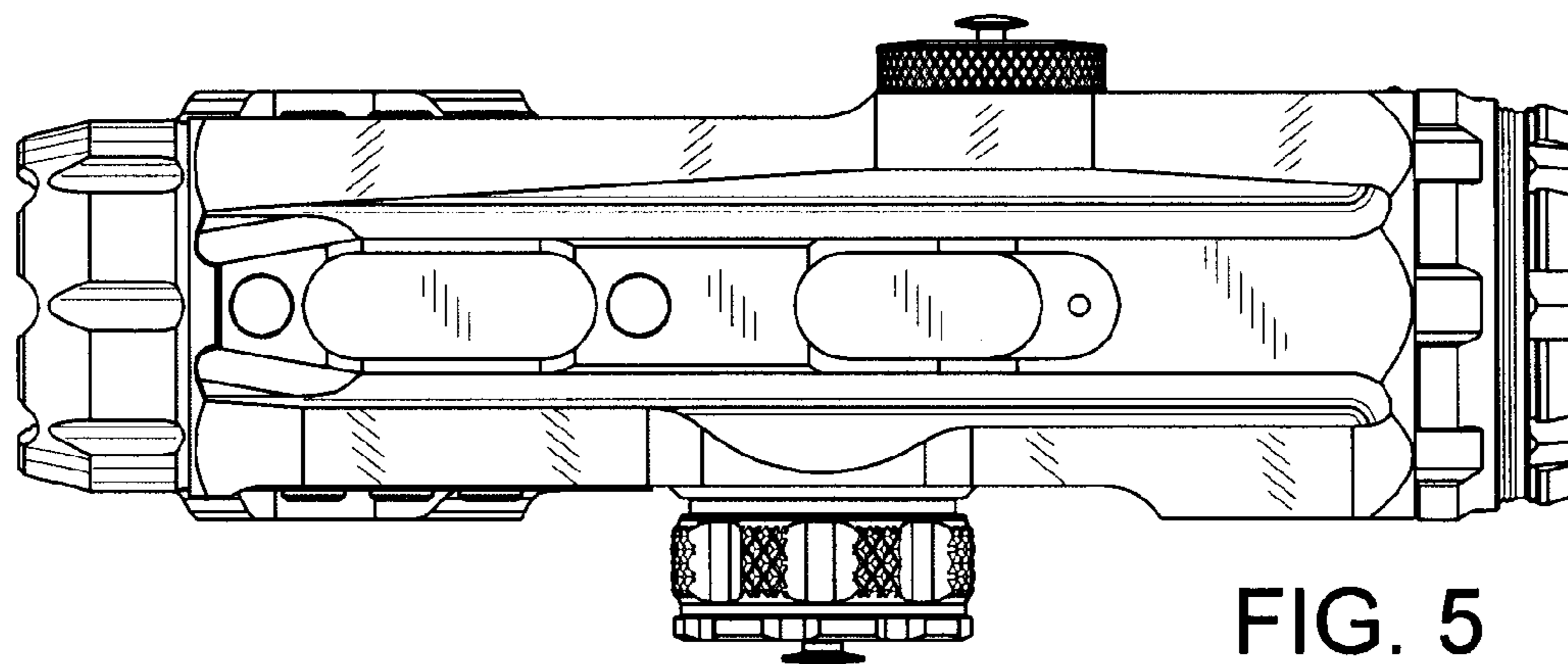


FIG. 5

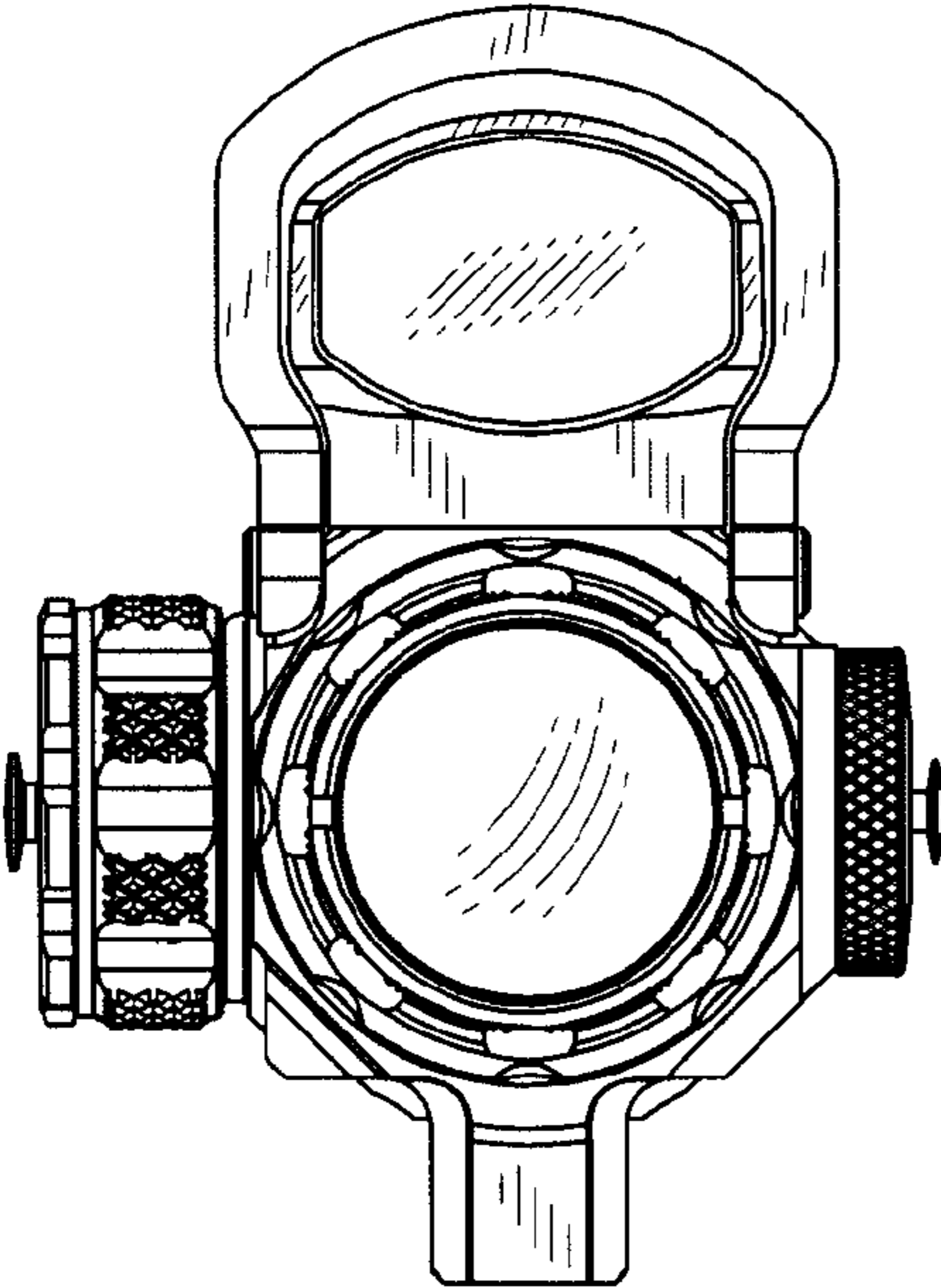


FIG. 6

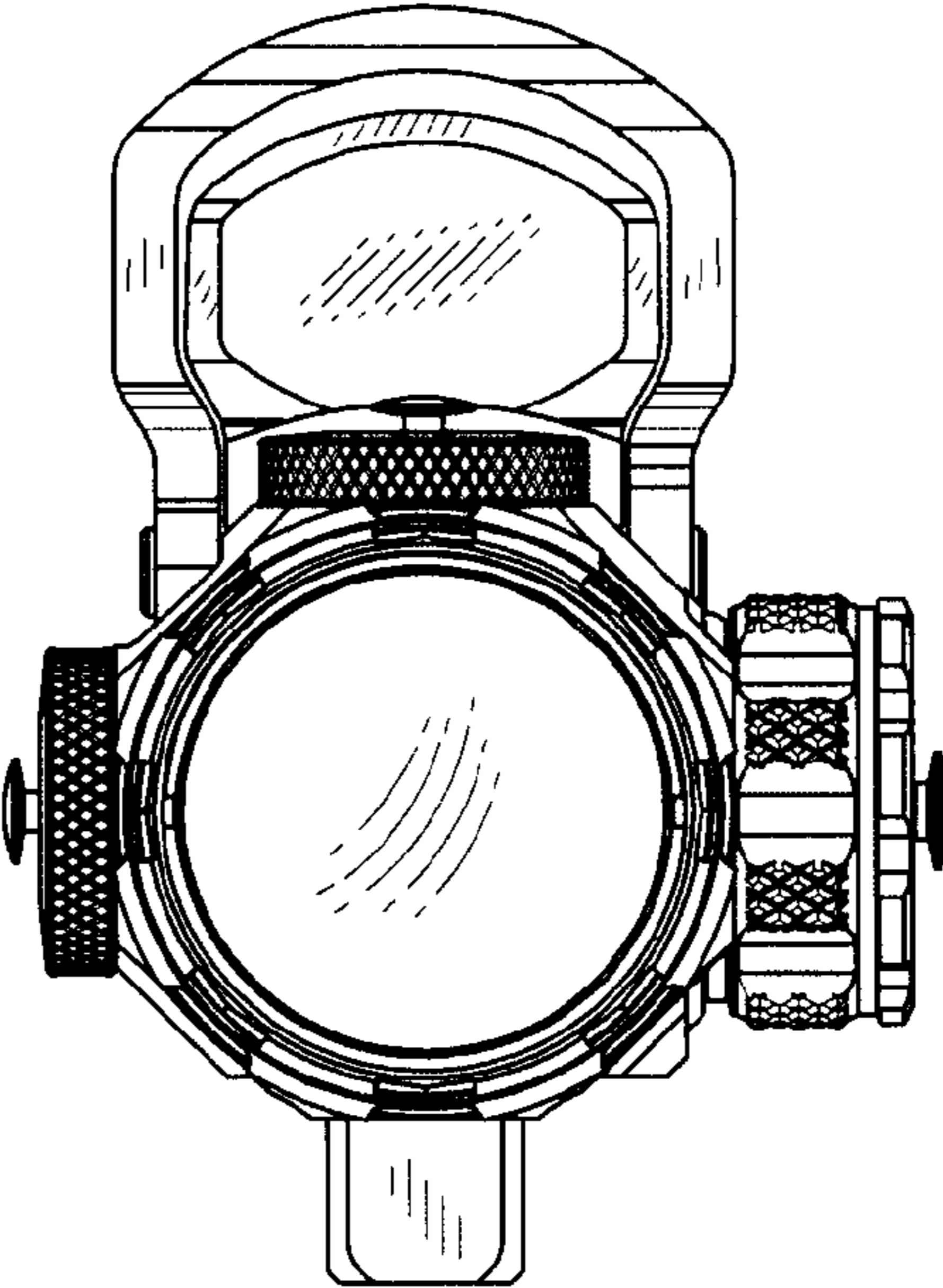


FIG. 7