



US00D676095S

(12) **United States Design Patent**
Peterson et al.

(10) **Patent No.:** **US D676,095 S**
(45) **Date of Patent:** **** Feb. 12, 2013**

- (54) **MONOLITHIC RAIL WITH INTEGRAL RECEIVER HEIGHT ADAPTER**
- (75) Inventors: **Morris Peterson**, Earlysville, VA (US);
Matthew Peterson, Crozet, VA (US);
Charles Robert Overbey, Jr., Deland, FL (US); **Gary Vance**, Bristol, VA (US)
- (73) Assignee: **Ashbury International Group, Inc.**,
Ruckersville, VA (US)
- (**) Term: **14 Years**
- (21) Appl. No.: **29/401,173**
- (22) Filed: **Sep. 8, 2011**

4,674,216 A	6/1987	Ruger et al.	
4,685,237 A	8/1987	Hugg	
4,735,007 A	4/1988	Gal	
D297,855 S	9/1988	Ruger et al.	
4,790,095 A	12/1988	Campos	
D304,062 S	10/1989	Barrett	
D304,223 S	10/1989	Ruger et al.	
4,887,374 A	12/1989	Santarossa	
4,920,677 A	5/1990	Schuerman	
4,944,109 A	7/1990	Zedrosser	
5,020,260 A	6/1991	Houghton	
5,048,215 A	9/1991	Davis	
D324,557 S	3/1992	Livingston	
5,149,899 A	9/1992	Dabrowski	
5,173,564 A	12/1992	Hammond, Jr.	
5,209,215 A	5/1993	Morrison	
5,417,002 A	5/1995	Guerra	
5,440,963 A	8/1995	Szecsei	
5,590,484 A	1/1997	Mooney et al.	
5,642,581 A	7/1997	Herold et al.	
5,711,102 A	1/1998	Plaster et al.	
D391,334 S	2/1998	Plaster et al.	
D403,043 S	12/1998	Spekner	
5,900,577 A	5/1999	Robinson et al.	
5,987,797 A	11/1999	Dustin	
D435,885 S *	1/2001	Wallace	D22/110
6,293,040 B1	9/2001	Luth	
6,487,805 B1	12/2002	Reynolds	
6,497,065 B1	12/2002	Huston	
6,591,533 B2	7/2003	Wygant	
6,598,329 B1	7/2003	Alexander	
6,598,330 B2	7/2003	Garrett et al.	
6,637,142 B1	10/2003	Reynolds	
D487,792 S *	3/2004	Selvaggio	D22/110
D500,114 S *	12/2004	Oz	D22/109
6,836,990 B2	1/2005	Shiloni	
6,839,998 B1	1/2005	Armstrong	
D510,401 S	10/2005	Murello et al.	
7,024,812 B2	4/2006	Nelson	
7,131,228 B2	11/2006	Hochstrate et al.	
7,152,355 B2	12/2006	Fitzpatrick et al.	
7,162,823 B2	1/2007	Schoppman et al.	
7,313,883 B2	1/2008	Leitner-Wise	
7,325,351 B1	2/2008	Leung	
RE40,216 E *	4/2008	Swan	42/71.01
7,386,952 B1	6/2008	Henretty	
D577,094 S *	9/2008	Wallace	D22/109
7,428,795 B2	9/2008	Herring	
D584,373 S	1/2009	Young	
7,481,016 B2 *	1/2009	Gonzalez	42/127
7,571,562 B2 *	8/2009	Sutherby	42/90
7,574,823 B2	8/2009	Nakayama	
D603,013 S	10/2009	Fitzpatrick et al.	

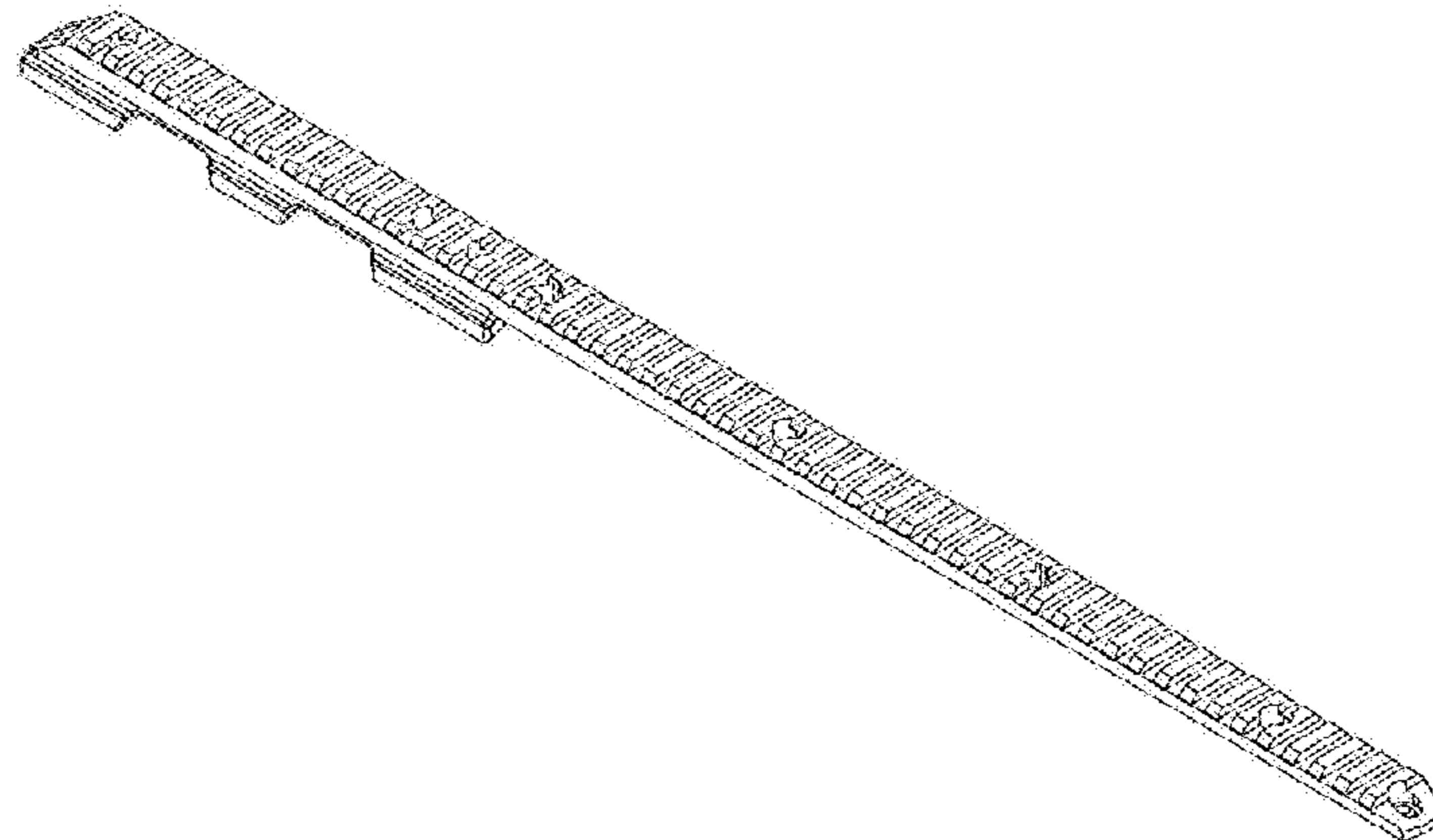
Related U.S. Application Data

- (63) Continuation-in-part of application No. 12/251,384,
filed on Oct. 14, 2008.
 - (51) **LOC (9) Cl.** **22-01**
 - (52) **U.S. Cl.** **D22/108**
 - (58) **Field of Classification Search** D22/100,
D22/108-110, 199; 248/201, 205.1; 42/11,
42/72, 90, 85, 71.01, 75.02, 106, 113-114,
42/124-125, 127-128
- See application file for complete search history.

References Cited

U.S. PATENT DOCUMENTS

2,387,691 A	10/1945	Sunderland
3,209,481 A	10/1965	Gilbert
3,323,246 A	6/1967	Loffler
3,369,316 A	2/1968	Miller
3,512,290 A	5/1970	La Violette, Jr. et al.
3,543,428 A	12/1970	Bronson
3,618,249 A	11/1971	Grandy
3,739,515 A	6/1973	Koon, Jr.
3,830,003 A	8/1974	Clerke
3,999,461 A	12/1976	Johnson et al.
4,203,244 A	5/1980	Hickman
4,383,384 A	5/1983	Fox
4,402,152 A	9/1983	Casull
4,430,822 A	2/1984	Fromming et al.
4,651,455 A	3/1987	Geiser, Jr.



D604,793	S *	11/2009	Fitzpatrick et al.	D22/108
D606,614	S	12/2009	Fitzpatrick et al.	
D610,218	S	2/2010	Barrett	
7,685,758	B2 *	3/2010	Romer	42/124
D634,389	S *	3/2011	Lin et al.	D22/108
D637,683	S *	5/2011	Salsman, Sr.	D22/108
8,104,211	B2 *	1/2012	Darian	42/90
D654,134	S *	2/2012	Edge et al.	D22/108
8,141,285	B2 *	3/2012	Brown	42/71.01
8,156,678	B2 *	4/2012	Hoel et al.	42/90
8,191,300	B2 *	6/2012	Daniel	42/71.01
8,230,634	B1 *	7/2012	Davies et al.	42/75.02
2003/0051385	A1	3/2003	Wygant	
2003/0110675	A1	6/2003	Garrett et al.	
2003/0230022	A1	12/2003	Battaglia	
2004/0000083	A1	1/2004	Grant, Jr.	
2004/0211104	A1	10/2004	Eberle	
2004/0226212	A1	11/2004	Shiloni	
2005/0000142	A1	1/2005	Kim et al.	
2005/0183317	A1	8/2005	Finn	
2005/0229466	A1	10/2005	Muhlestein	
2005/0241206	A1	11/2005	Teetzel et al.	
2005/0241211	A1	11/2005	Swan	
2005/0262752	A1	12/2005	Robinson et al.	
2006/0010748	A1	1/2006	Stoner et al.	
2006/0010749	A1	1/2006	Kincel	
2006/0026883	A1	2/2006	Hochstrate et al.	
2006/0048424	A1	3/2006	Weir	
2006/0162227	A1	7/2006	Samson	
2006/0174532	A1	8/2006	Popikow	
2006/0236582	A1	10/2006	Lewis et al.	
2006/0242880	A1	11/2006	Griffin	
2006/0254111	A1	11/2006	Giauque et al.	
2006/0277810	A1	12/2006	Leitner-Wise	
2006/0283067	A1	12/2006	Herring	
2007/0089347	A1	4/2007	Webber et al.	
2007/0130817	A1	6/2007	Ballard	
2007/0199225	A1	8/2007	Haugen	
2007/0199435	A1	8/2007	Hochstrate et al.	
2008/0028662	A1	2/2008	Abraham	
2008/0092422	A1	4/2008	Daniel et al.	
2008/0168695	A1	7/2008	Nakayama	
2008/0190005	A1	8/2008	Rohrauer	
2008/0216377	A1	9/2008	Rohrauer	
2008/0236017	A1	10/2008	Fitzpatrick et al.	
2009/0007477	A1	1/2009	Robinson et al.	
2009/0277067	A1	11/2009	Gregg	
2009/0288324	A1	11/2009	Peterson et al.	
2010/0212201	A1 *	8/2010	Kincel et al.	42/2
2010/0319231	A1 *	12/2010	Stone et al.	42/71.01
2012/0102803	A1 *	5/2012	Troy et al.	42/71.01

FOREIGN PATENT DOCUMENTS

DE 3743092 A1 7/1988

OTHER PUBLICATIONS

“AW Rifle System”, Sales Brochure, Accuracy International Ltd., Apr. 7, 2006, available at http://www.accuracyinternational.com/assets/assets/aw_brochure.pdf.
 “AICS (Accuracy International Chassis System) Upgrade Kit for Remington 700”, Sales Brochure, Accuracy International Ltd. Apr. 7, 2006, available at http://www.accuracyinternational.com/assets/aics_brochure.pdf.
 “Timberwolf 338 Lapua”, Webpage, Colt Canada Corp., Jun. 25, 2007, available at <http://www.coltcanada.com/timberwolf-page.htm>.
 “Colt Canada” C7 Rifle Sales Catalog, Colt Canada Corp., Feb. 21, 2008, available at <http://www.coltcanada.com/PDF%20Forms/CC-cat-web.pdf>.
 “Owner’s and Maintenance Manual for Sako TRG 22/42 Sharpshooting System”, Owners Manual, Sako Ltd., Sep. 2, 1993, available at http://www.sako.fi/pdf/manuals/TRG22_42.pdf.
 “Specification—Sako TRG Sharpshooting System”, Specification, Sako Ltd., Sep. 28, 2001, available at <http://www.sako.fi/pdf/specs/TRG.pdf>.
 “Hecate II: Long-Range Anti-Material Rifle”, Sales Brochure, PGM Precision, Dec. 12, 2008, available at http://www.pgmprecision.com/uploads/pdf/hecate_2008_en.pdf.

“A.M.S.D. Sniper Rifle”, Specification, Advanced Military System Design, Apr. 21, 2006, available at <http://www.amsd.ch/products/nemesis/om50nemesis.pdf>.
 “Sako Export 2008”, Sales Catalog, Sako Ltd., Apr. 1, 2008, available at http://www.sako.fi/pdf/sao_export_2008.pdf.
 “JP MOR-07 Manually Operated Rifle”, Webpage, J.P. Enterprises, Inc., Jan. 5, 2007, available at <http://www.jprifles.com/1.2.6.php>.
 “MBAR”, Webpage, HALo Arms, LLC, Dec. 12, 2006, available at <http://www.haloarms.com/MBAR.html>.
 “MP-MODSS (Mcree’s Precision Modular Stock System)”, Webpage, McCree’s Multi Services, Aug. 16, 2007, available at <http://www.mcreeprecision.net/index.htm>.
 “Specification—Sako TRG Sharpshooting System”, Specification, Sako Ltd., Dec. 19, 2008, available at <http://www.sako.fi/pdf/specs/TRG.pdf>.
 “A.R.M.S. #50 M-CV, #58 M-CV and #58 M-CV MOD S.I.R. System”, Sales Brochure, A.R.M.S., Inc., Nov. 5, 2009, available at <http://www.armsmounts.com/manuals/50M-CV%20Manual.pdf>.
 “Federal XC900”, Jan. 3, 2007, available online at <http://gunsnyc.com/view-prop.php?id=181&name+Federal-XC900>.
 “Remington Law Enforcement 2007 Catalog”, Remington Arms Company, Inc., 2007, 37 Pages.

* cited by examiner

Primary Examiner — Michael A Pratt

(74) Attorney, Agent, or Firm — Troutman Sanders LLP; Robert R. Elliott, Jr.

(57) CLAIM

The ornamental design for a monolithic rail with integral receiver height adapter, as shown and described.

DESCRIPTION

FIG. 1 illustrates a perspective, side view of a new design for a monolithic rail with integral receiver height adapter;
 FIG. 2 illustrates a right side view of a new design for a monolithic rail with integral receiver height adapter;
 FIG. 3 illustrates a front view of a new design for a monolithic rail with integral receiver height adapter;
 FIG. 4 illustrates a left view of a new design for a monolithic rail with integral receiver height adapter;
 FIG. 5 illustrates a rear view of a new design for a monolithic rail with integral receiver height adapter;
 FIG. 6 illustrates a top view of a new design for a monolithic rail with integral receiver height adapter;
 FIG. 7 illustrates a bottom view of a new design for a monolithic rail with integral receiver height adapter;
 FIG. 8 illustrates an exploded, perspective view of a new design for a monolithic rail with integral receiver height adapter;
 FIG. 9 illustrates a perspective, side view of a new design for a right-handed monolithic rail with integral receiver height adapter;
 FIG. 10 illustrates a right side view of a new design for a right-handed monolithic rail with integral receiver height adapter;
 FIG. 11 illustrates a front view of a new design for a right-handed monolithic rail with integral receiver height adapter;
 FIG. 12 illustrates a left view of a new design for a right-handed monolithic rail with integral receiver height adapter;
 FIG. 13 illustrates a rear view of a new design for a right-handed monolithic rail with integral receiver height adapter;
 FIG. 14 illustrates a top view of a new design for a right-handed monolithic rail with integral receiver height adapter;

FIG. **15** illustrates a bottom view of a new design for a right-handed monolithic rail with integral receiver height adapter;

FIG. **16** illustrates an exploded, perspective view of a new design for a right-handed monolithic rail with integral receiver height adapter;

FIG. **17** illustrates a perspective, side view of a new design for a left-handed monolithic rail with integral receiver height adapter;

FIG. **18** illustrates a right side view of a new design for a left-handed monolithic rail with integral receiver height adapter;

FIG. **19** illustrates a front view of a new design for a left-handed monolithic rail with integral receiver height adapter;

FIG. **20** illustrates a left view of a new design for a left-handed monolithic rail with integral receiver height adapter;

FIG. **21** illustrates a rear view of a new design for a left-handed monolithic rail with integral receiver height adapter;

FIG. **22** illustrates a top view of a new design for a left-handed monolithic rail with integral receiver height adapter;

FIG. **23** illustrates a bottom view of a new design for a left-handed monolithic rail with integral receiver height adapter; and,

FIG. **24** illustrates an exploded, perspective view of a new design for a left-handed monolithic rail with integral receiver height adapter.

The broken, dashed lines shown in the various figures depicting embodiments of the invention are included for the purpose of illustrating environment and do not form any part of the claimed design.

1 Claim, 24 Drawing Sheets

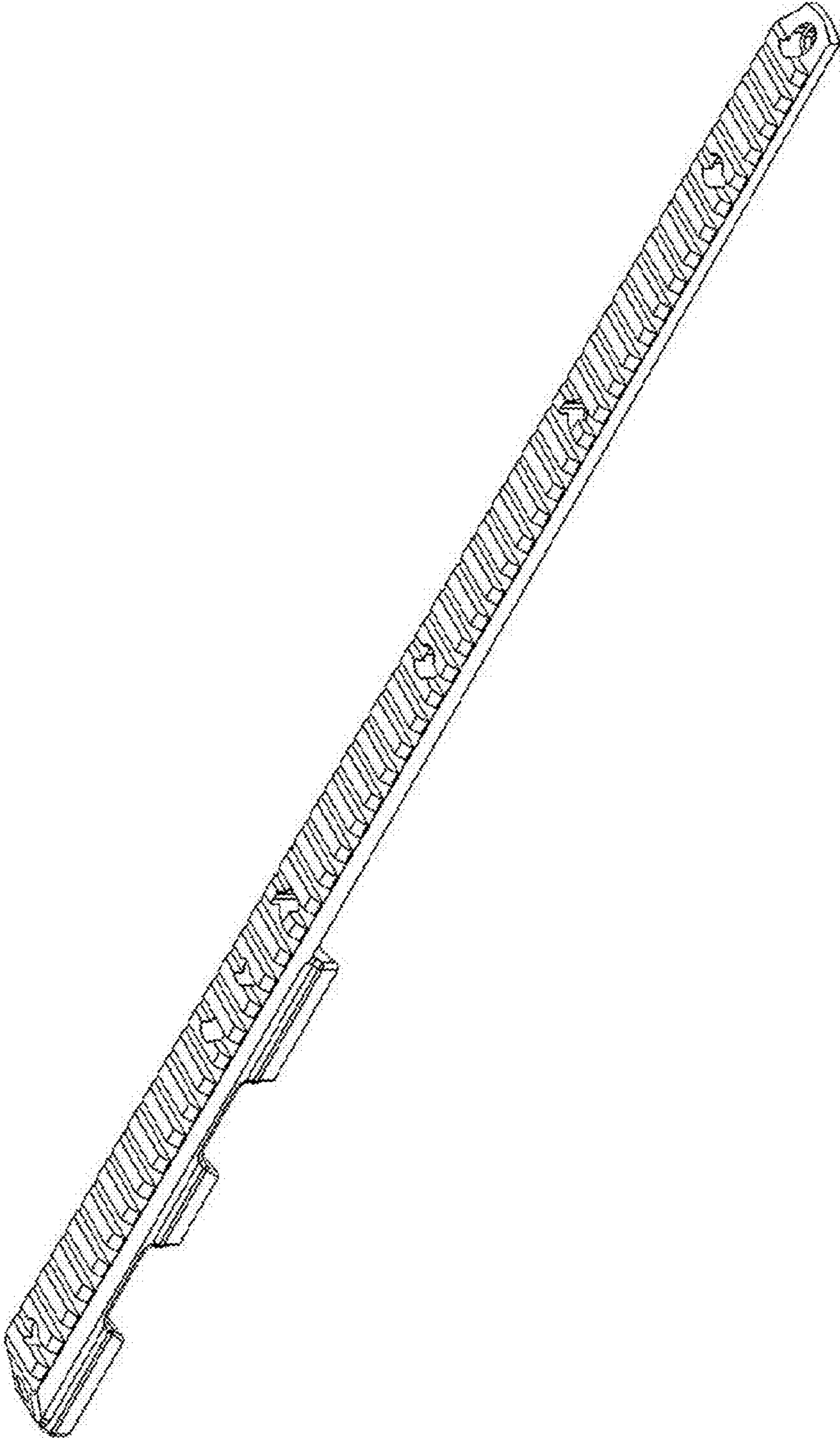


Fig. 1

Fig. 2

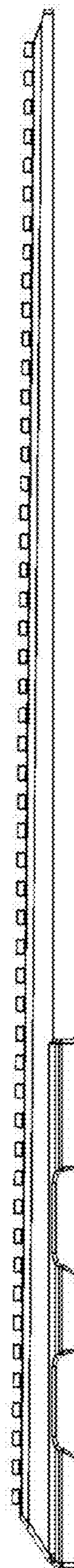


Fig. 3

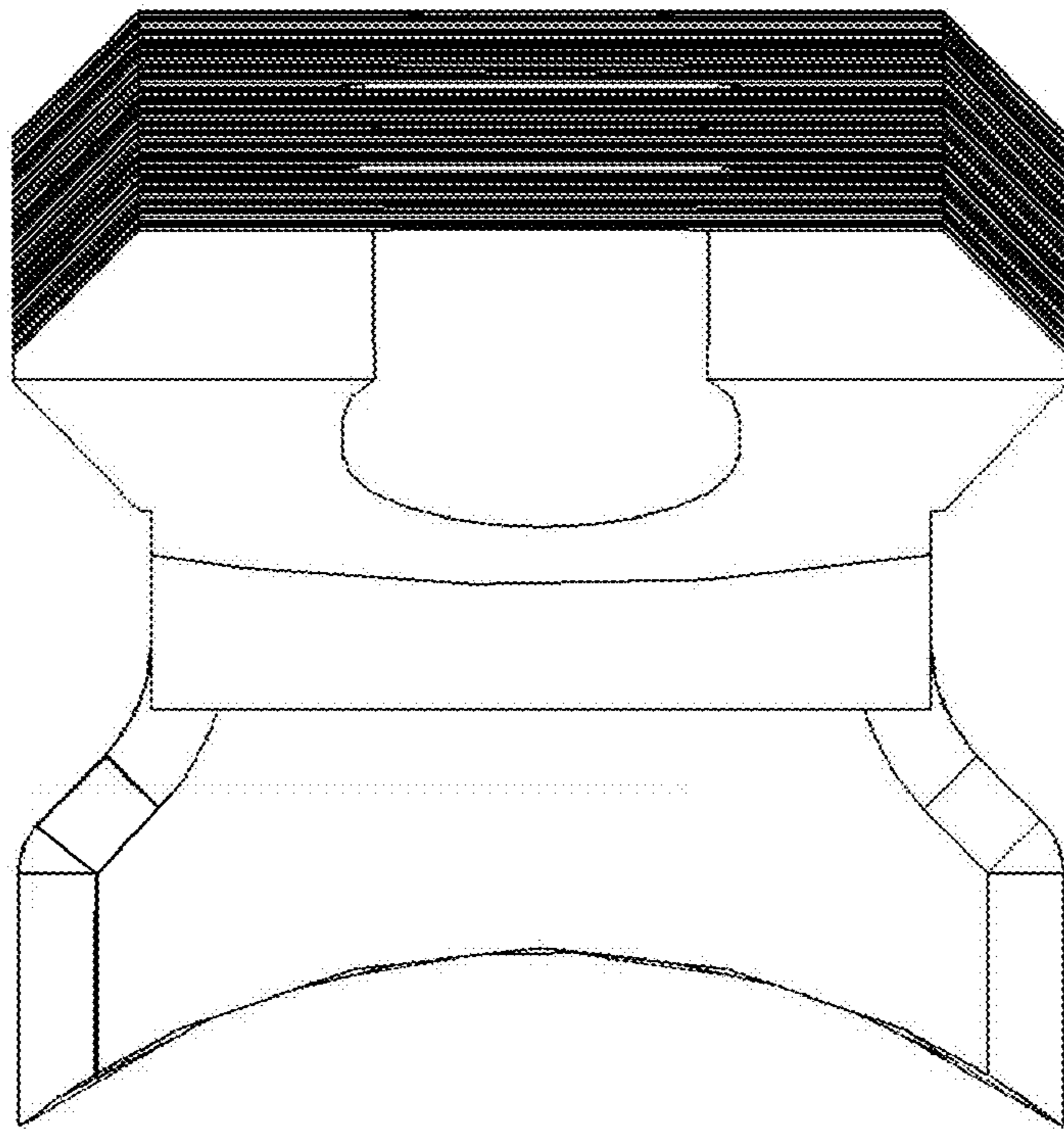


Fig. 4

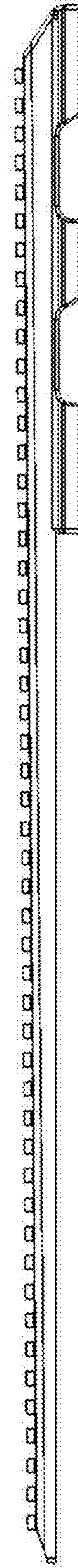


Fig. 5

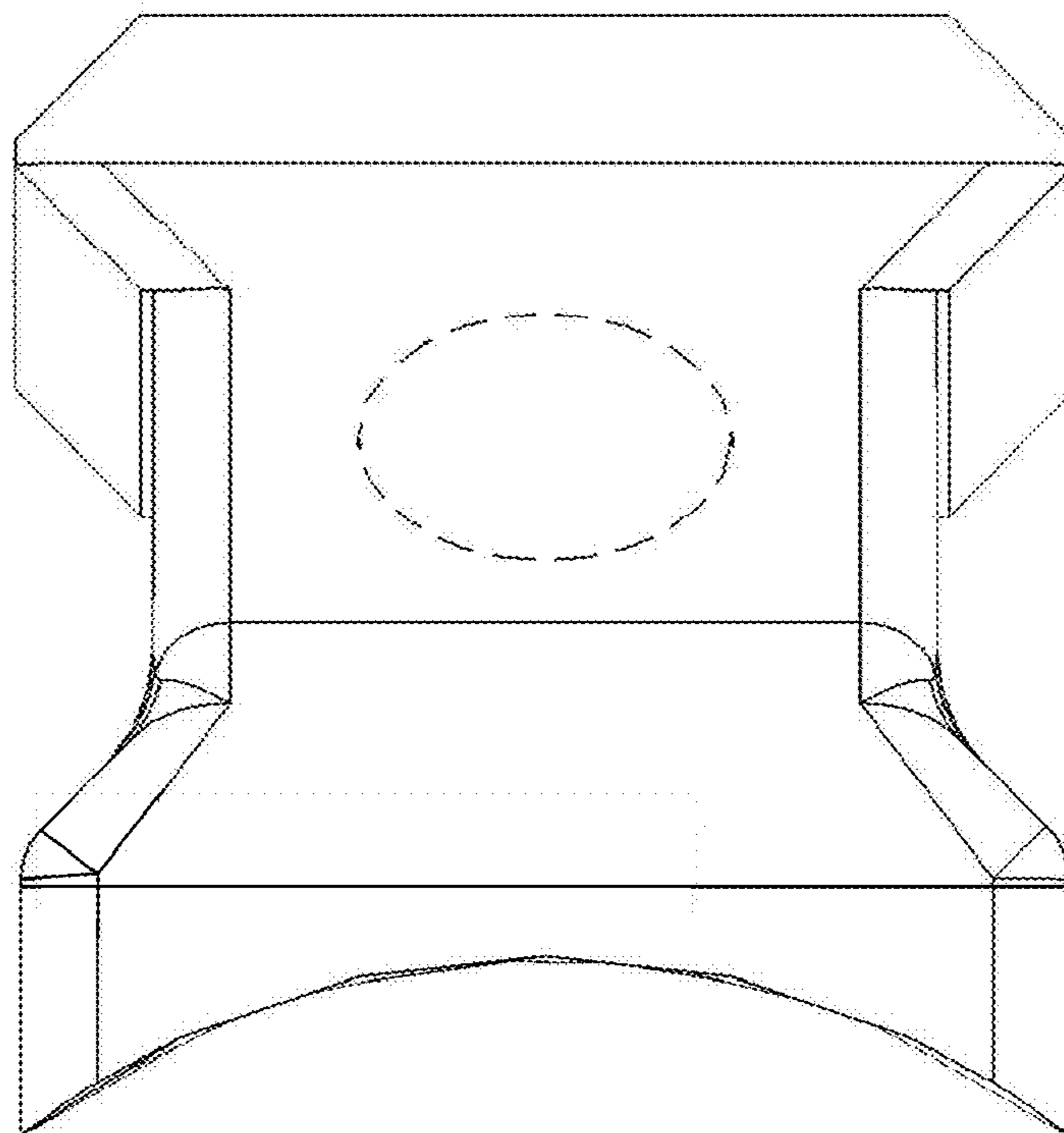


Fig. 6

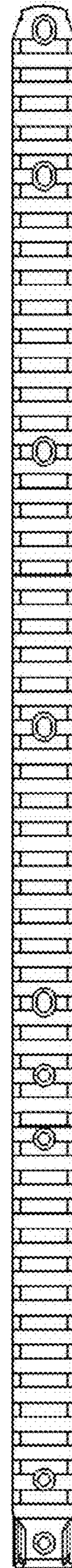


Fig. 7

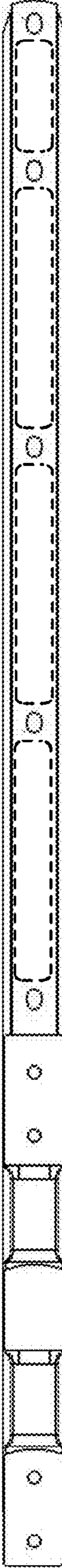
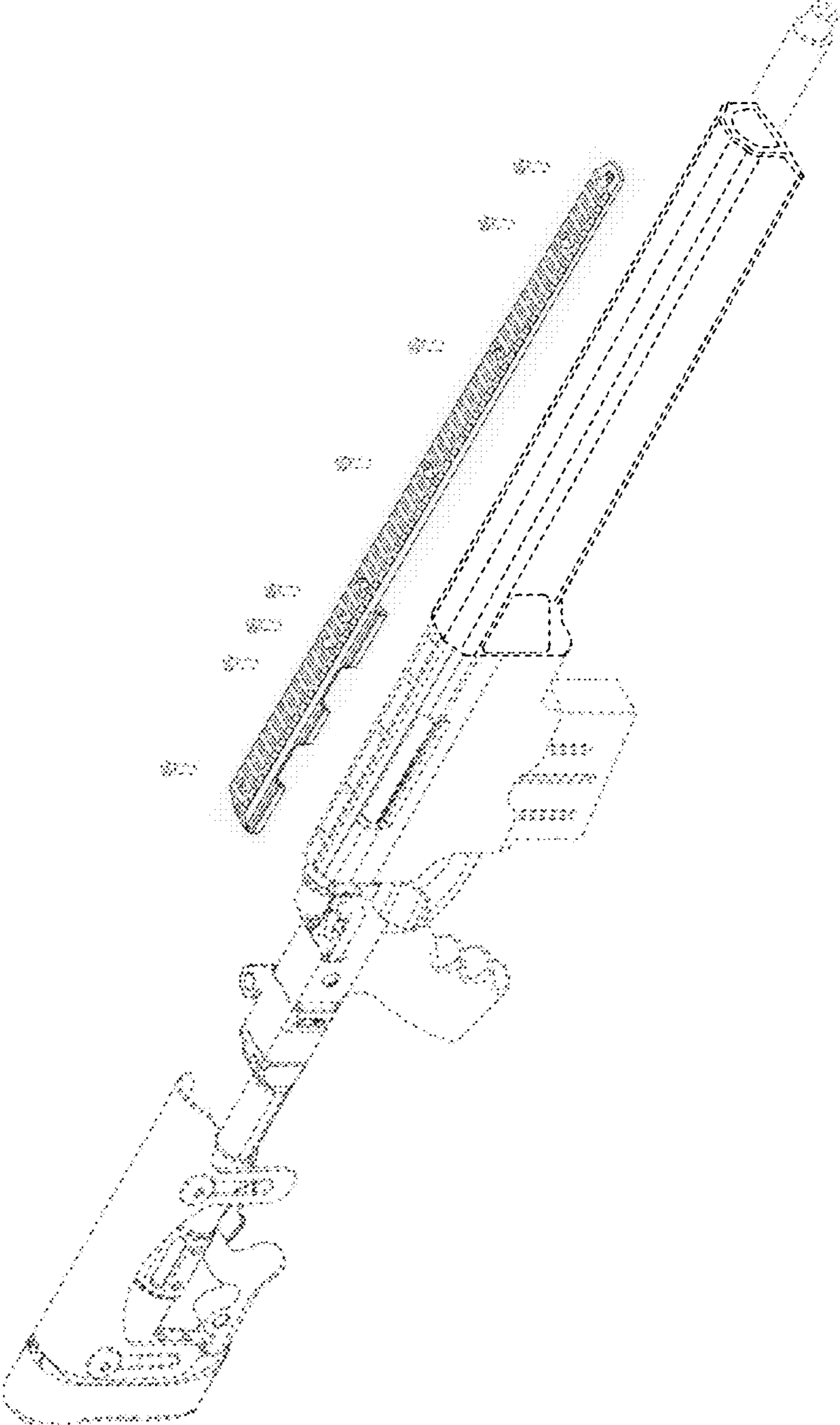


Fig. 8



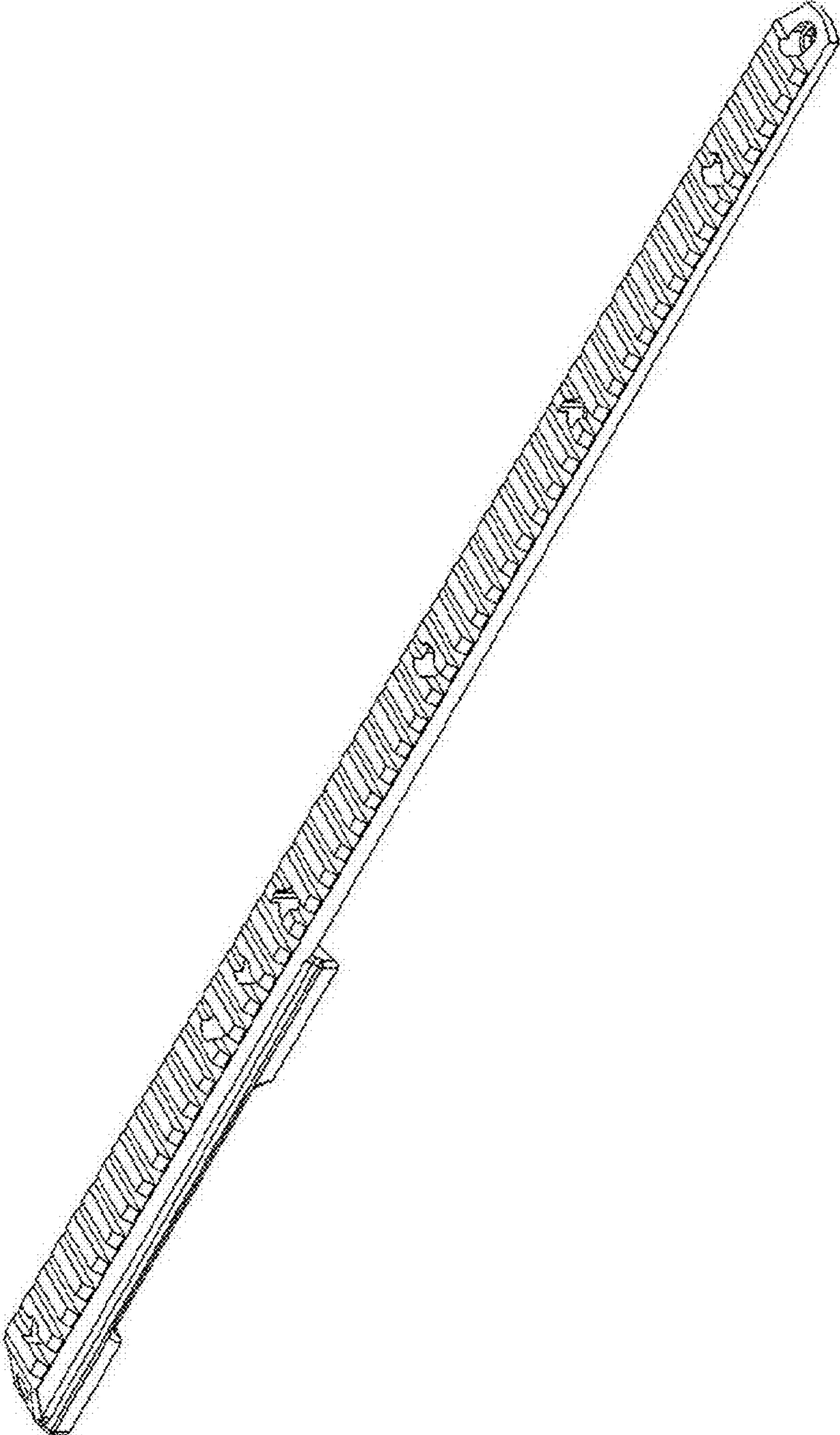


Fig. 9

Fig. 10

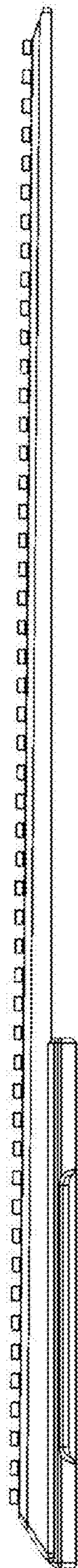


Fig. 11

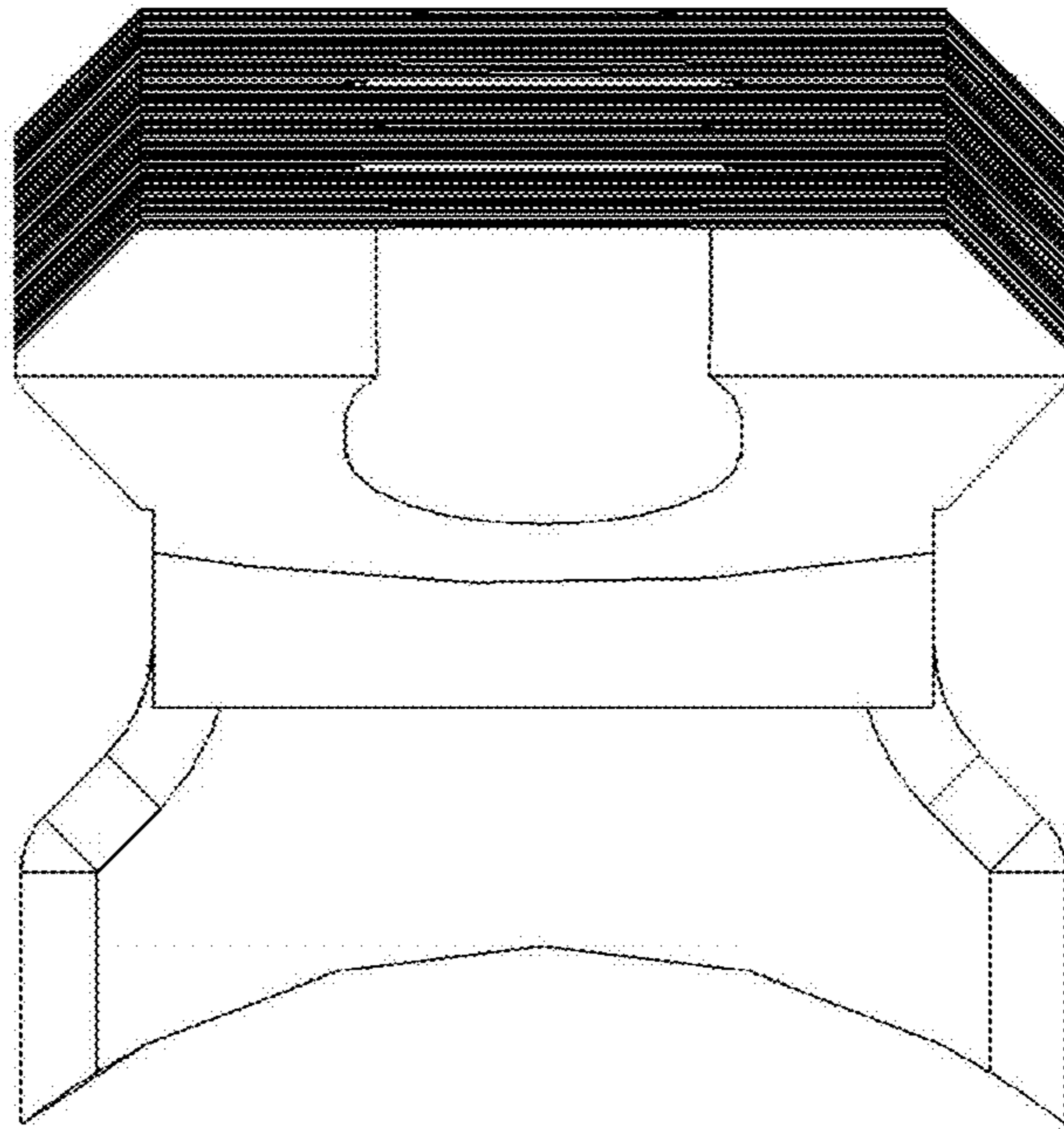


Fig. 12

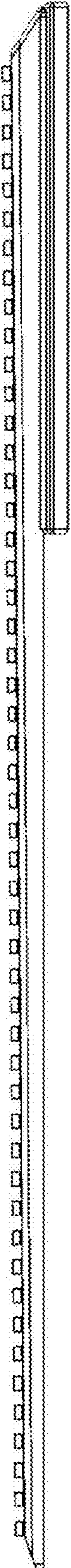


Fig. 13

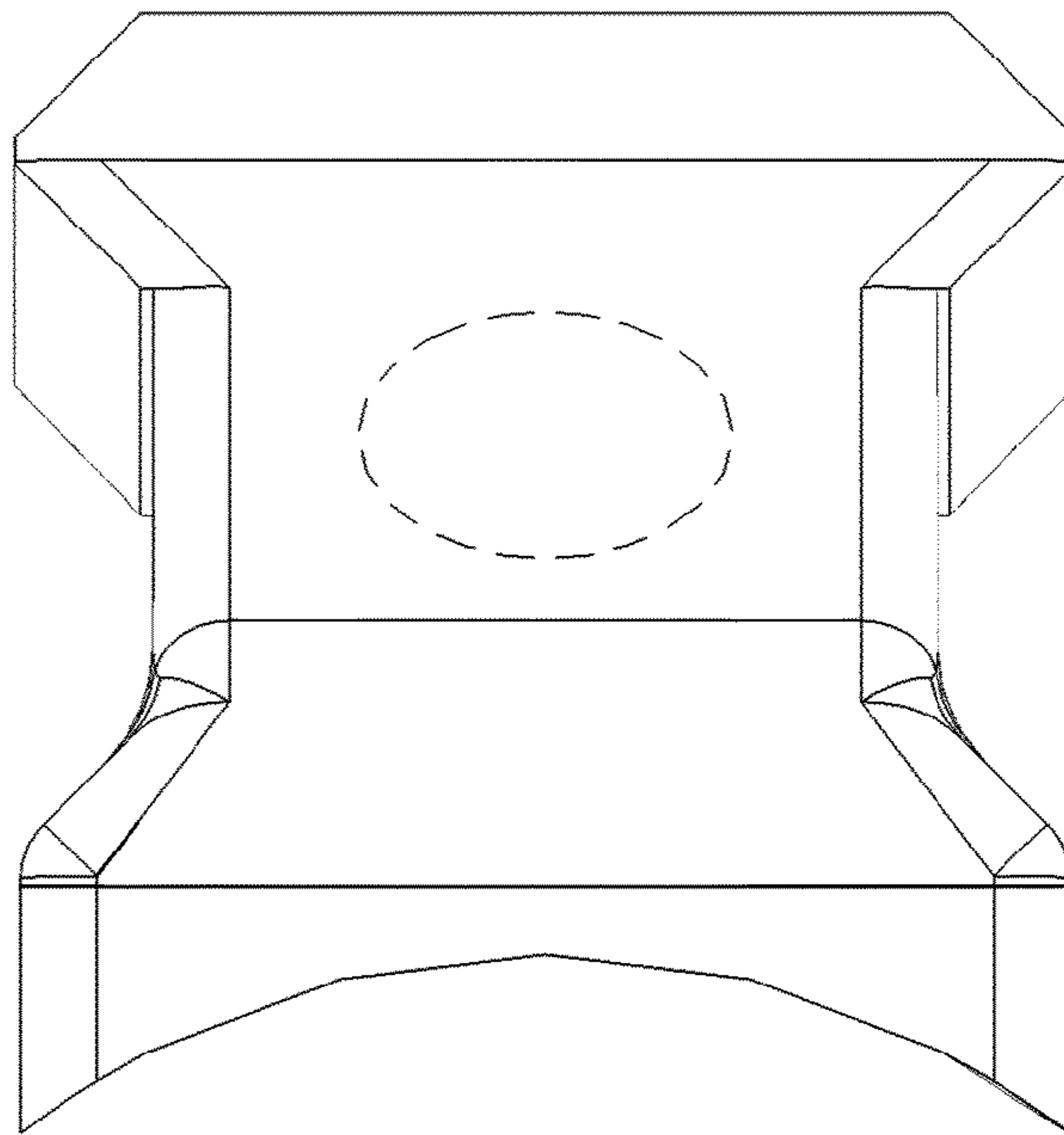


Fig. 14

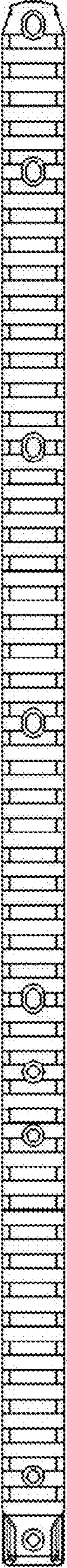
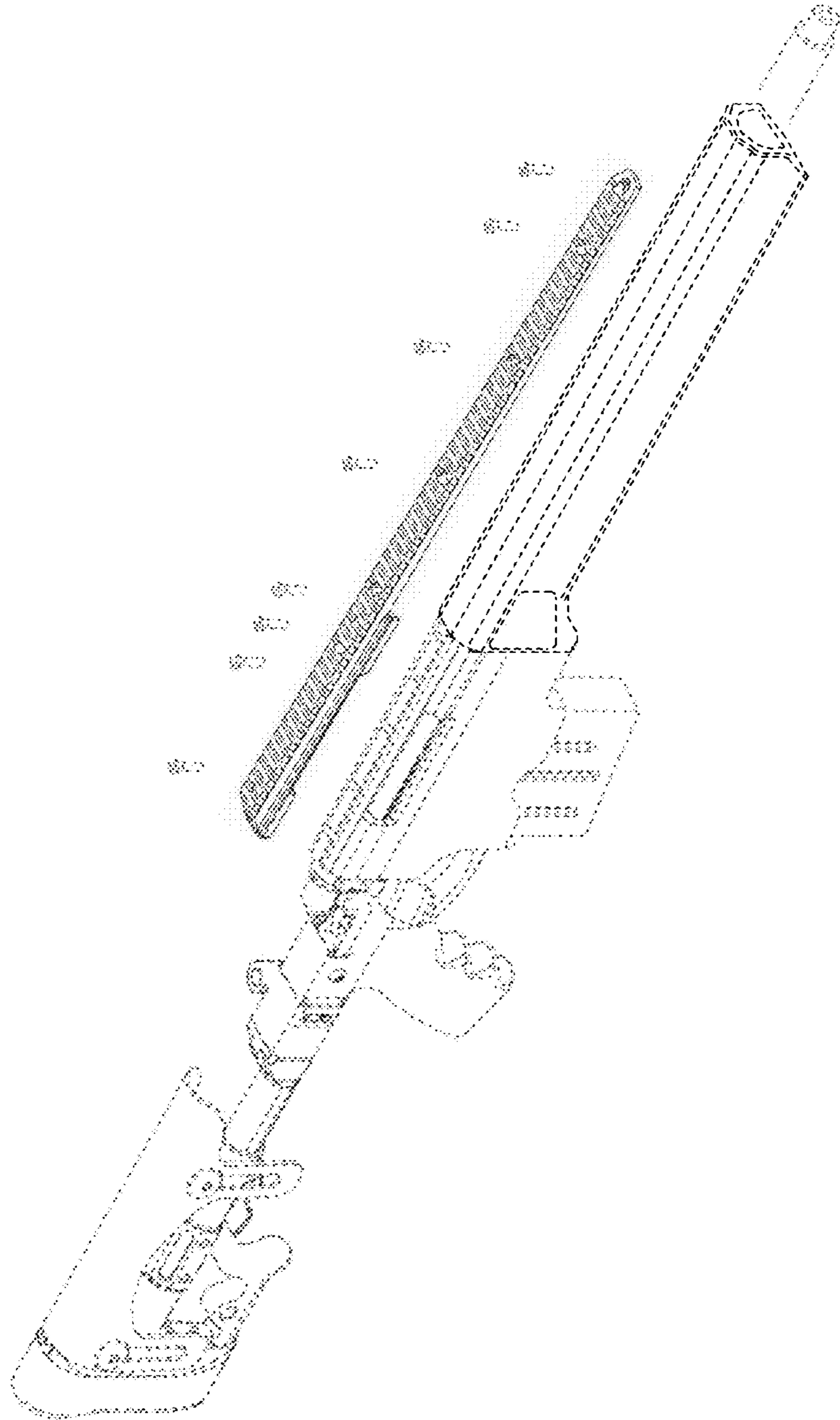


Fig. 15



Fig. 16



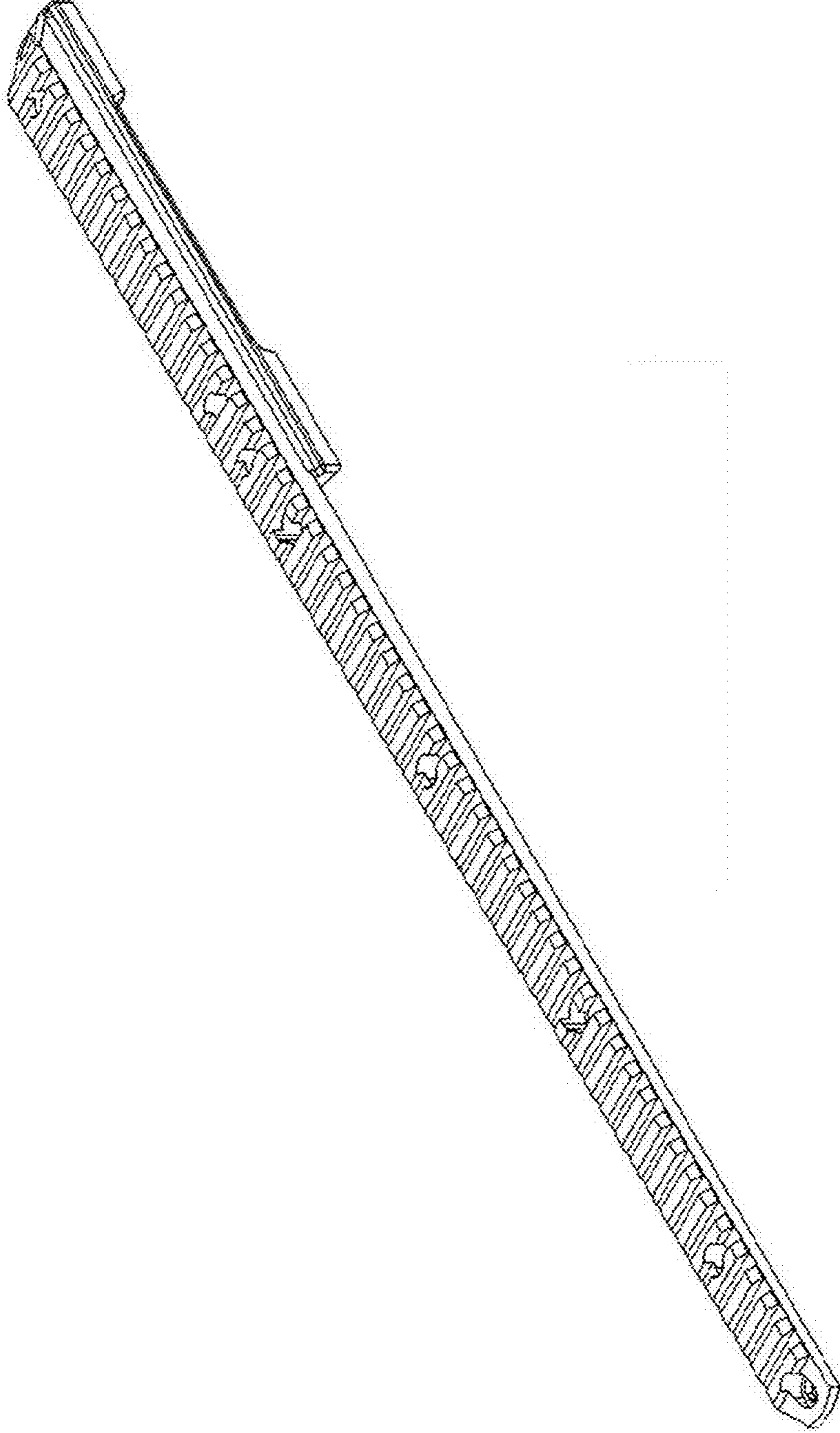


Fig. 17

Fig. 18

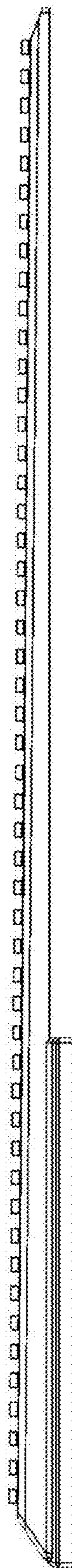


Fig. 19

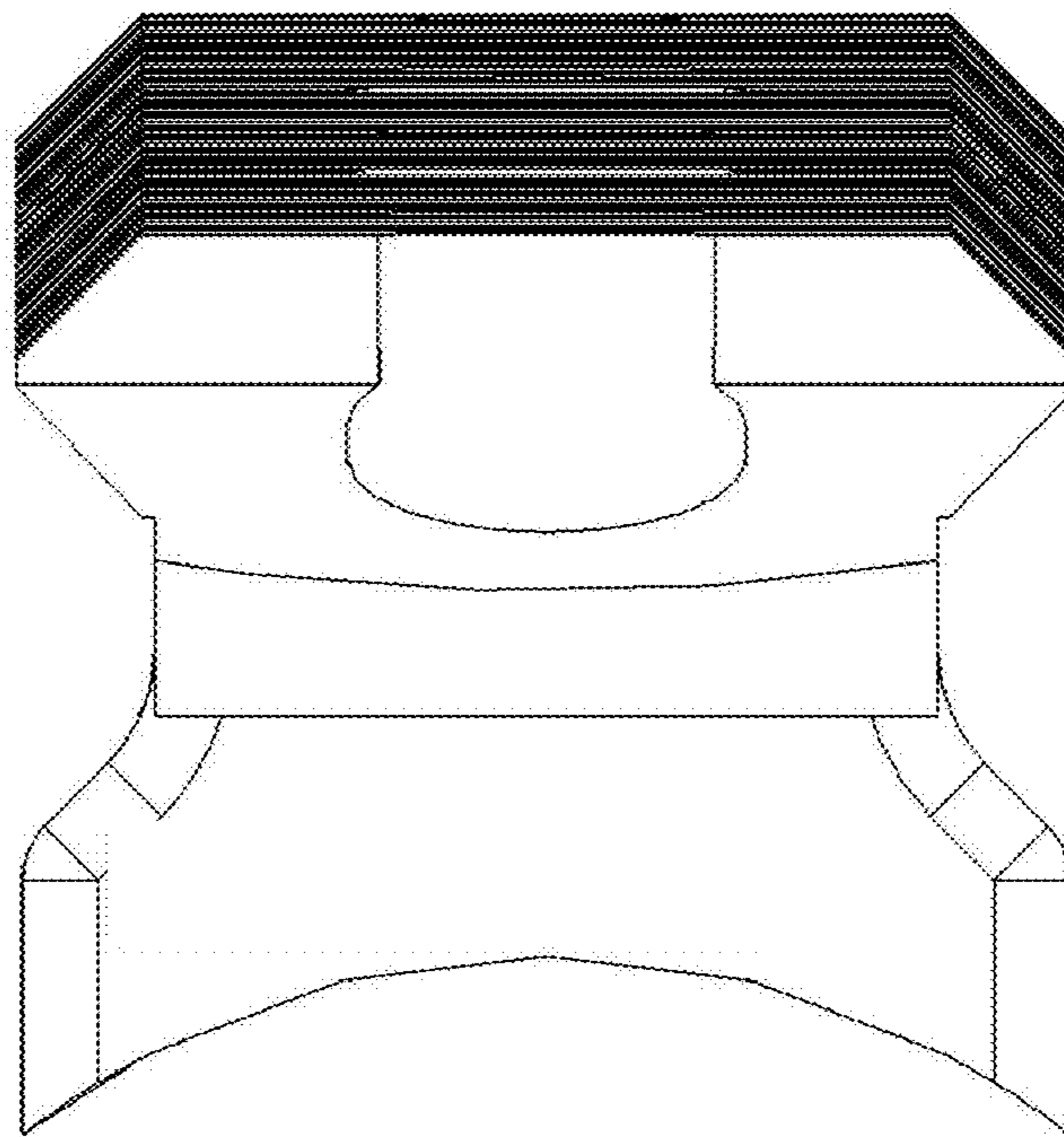


Fig. 20

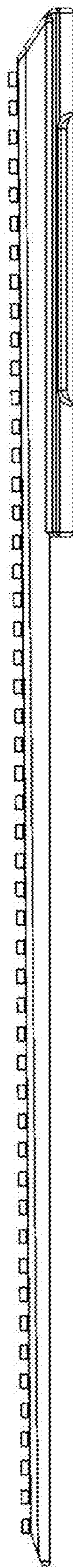


Fig. 21

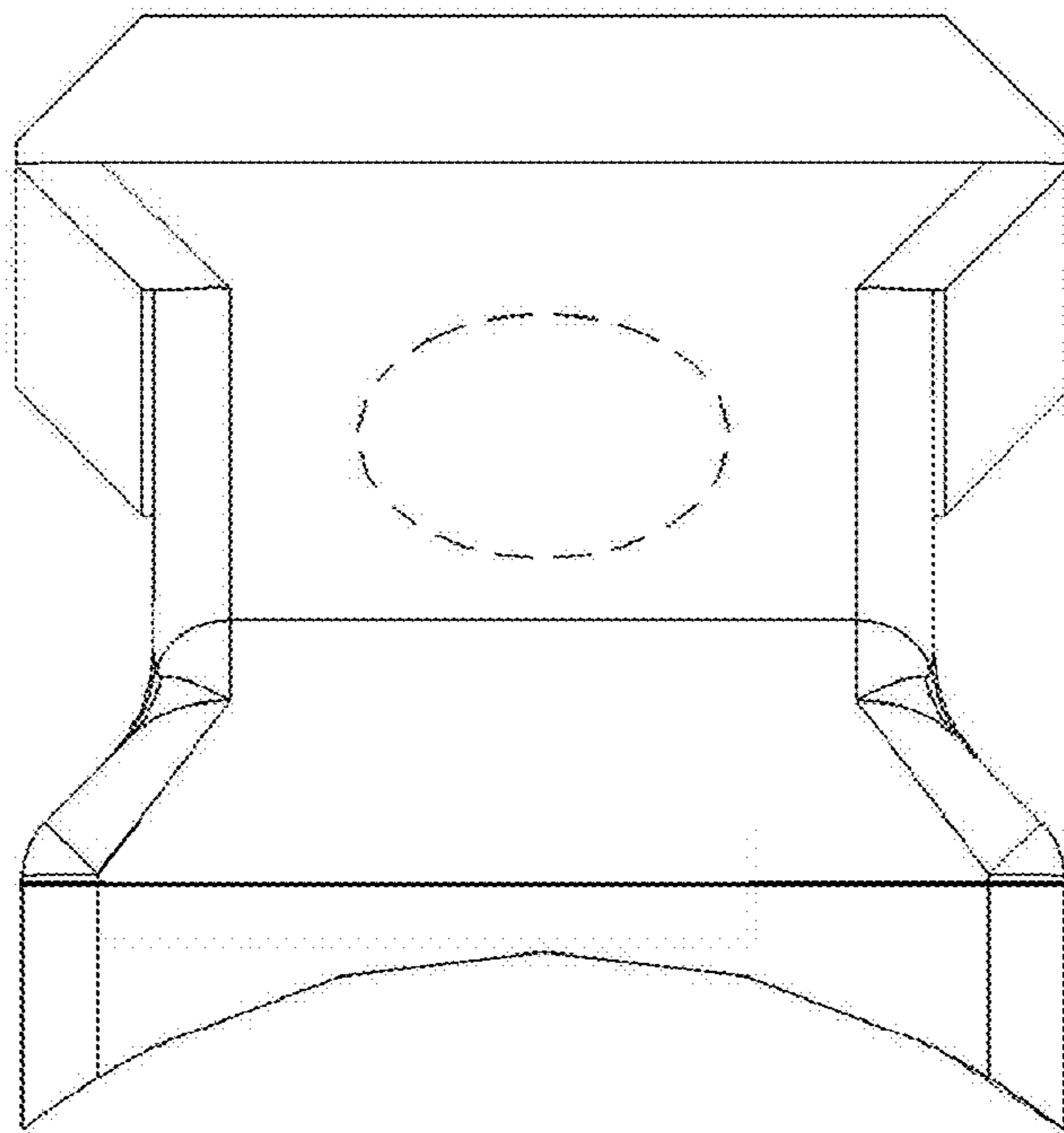


Fig. 22

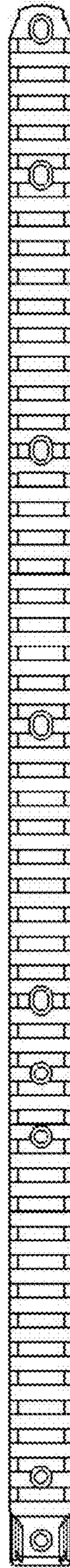


Fig. 23



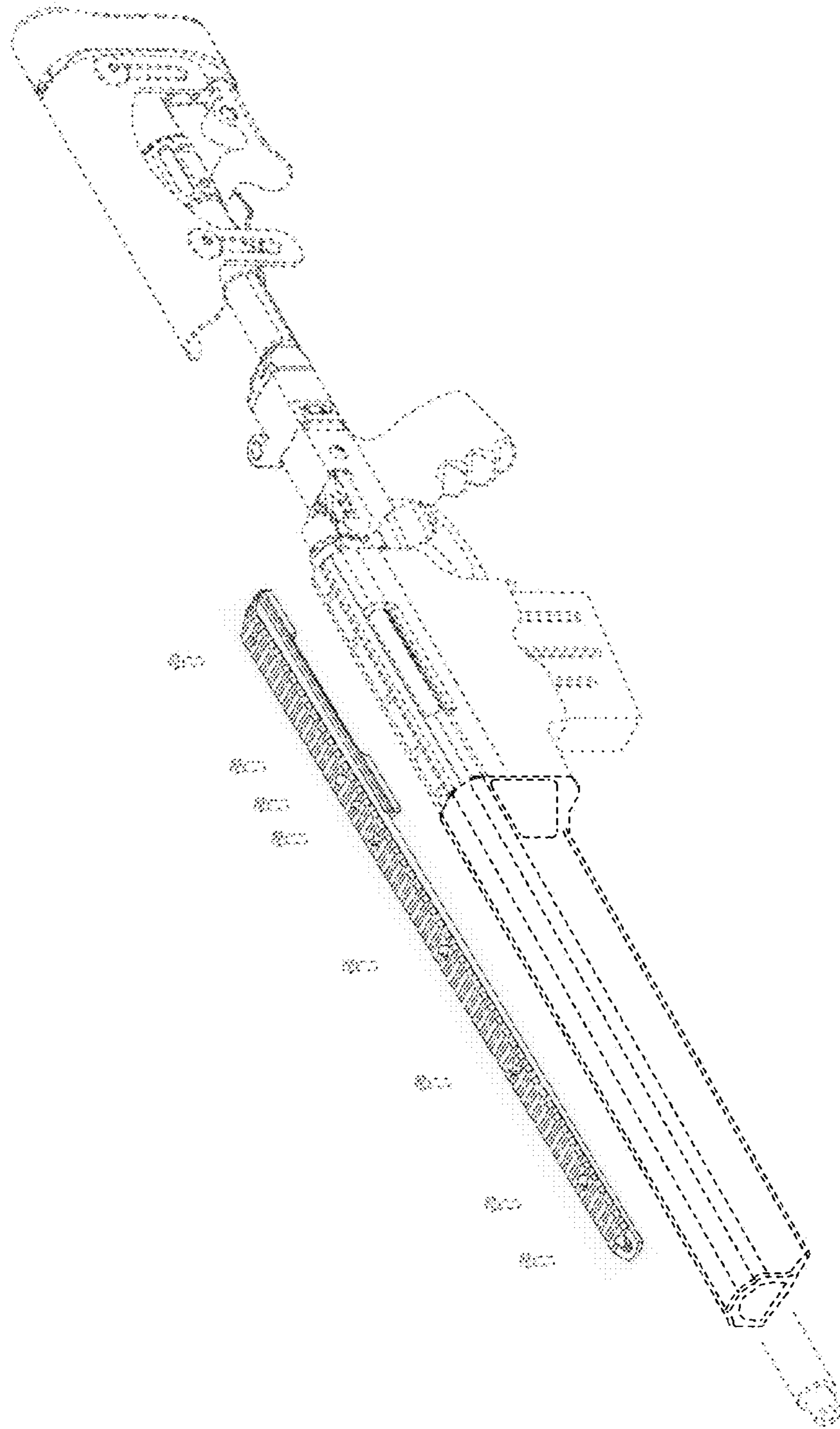


Fig. 24