



US00D676093S

(12) **United States Design Patent**
Kulzer

(10) **Patent No.:** **US D676,093 S**
(45) **Date of Patent:** **** Feb. 12, 2013**

- (54) **FOOT**
- (75) Inventor: **Darrell A. Kulzer**, Denver, CO (US)
- (73) Assignee: **B&R Plastics, Inc.**, Denver, CO (US)
- (**) Term: **14 Years**
- (21) Appl. No.: **29/415,310**
- (22) Filed: **Mar. 9, 2012**
- (51) **LOC (9) Cl.** **21-02**
- (52) **U.S. Cl.** **D21/694**
- (58) **Field of Classification Search** D21/671,
D21/682, 686, 694, 408, 753, 756; D8/80,
D8/107, 310, 321, 387, DIG. 2; D3/7, 13,
D3/316; D30/118, 156; 74/543, 558.5; 16/421,
16/DIG. 12; 132/2.1; D11/89, 90, 117, 131,
D11/157; D6/349, 495, 601; 482/51, 142
See application file for complete search history.

D435,007 S *	12/2000	Moore	D12/213
D443,244 S *	6/2001	Almaraz	D12/213
D498,636 S *	11/2004	Kuo	D6/601
7,146,827 B2 *	12/2006	Mardkha	63/32
D629,478 S *	12/2010	Appleton et al.	D21/753
D630,017 S *	1/2011	Graff	D3/316
D631,117 S *	1/2011	Appleton et al.	D21/756
D634,797 S *	3/2011	Holleman	D21/694
D648,410 S *	11/2011	Sims et al.	D21/753
D651,263 S *	12/2011	Kulzer	D21/686
D655,767 S *	3/2012	Thompson et al.	D21/753

* cited by examiner

Primary Examiner — Susan E Krakower
(74) *Attorney, Agent, or Firm* — William W. Cochran;
Cochran Freund & Young LLC

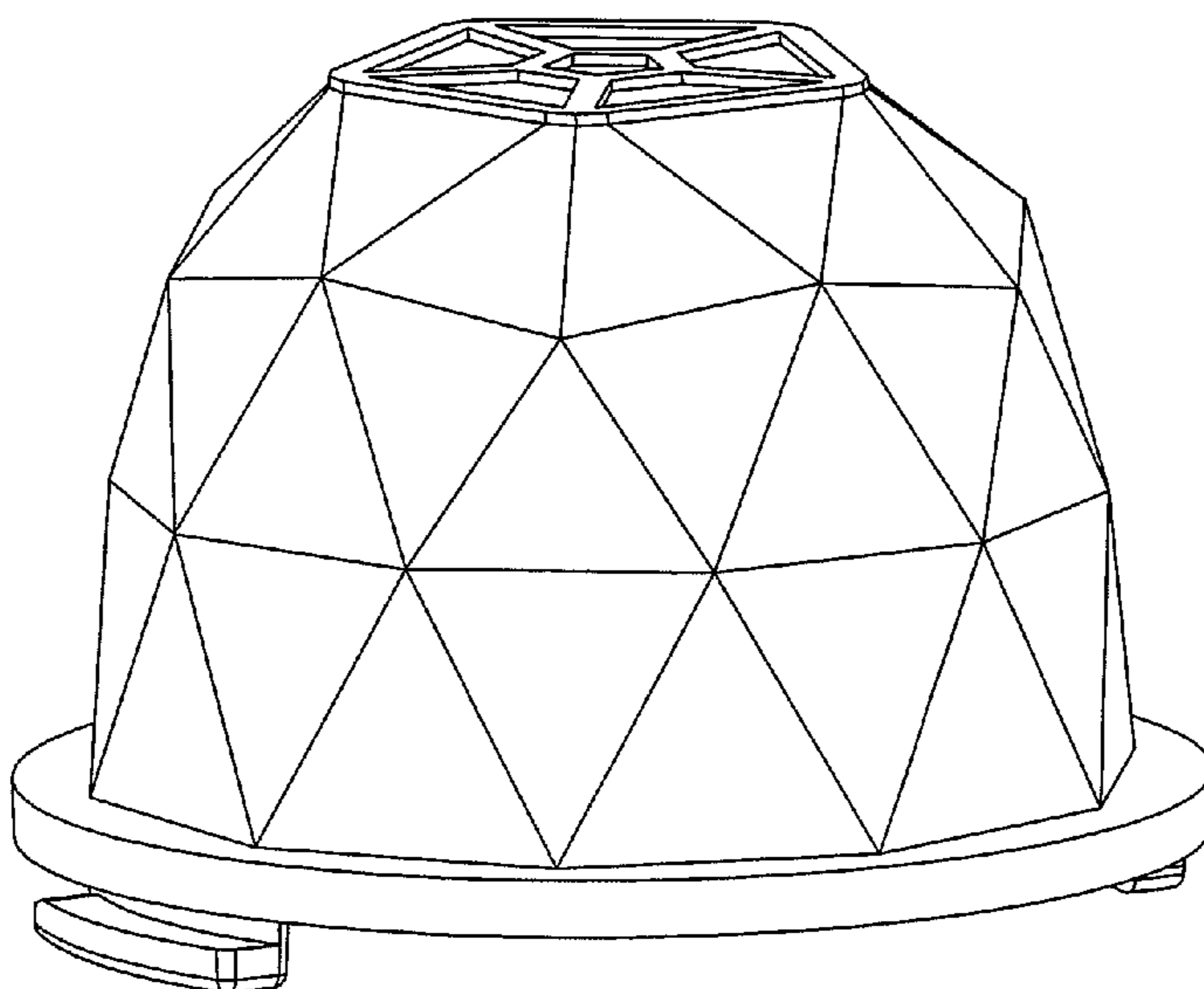
(57) **CLAIM**
The ornamental design for a foot, as shown and described.

DESCRIPTION

FIG. 1 is a front isometric view of a foot showing my new design.
FIG. 2 is a top view thereof.
FIG. 3 is a bottom view thereof.
FIG. 4 is a front view thereof.
FIG. 5 is a back view thereof.
FIG. 6 is a left side view thereof; and,
FIG. 7 is a right side view thereof.
The broken lines in FIG. 3 illustrate portions of the foot which form no part of the claimed design.

1 Claim, 7 Drawing Sheets

- (56) **References Cited**
- U.S. PATENT DOCUMENTS
- D40,889 S * 9/1910 Fishel D11/90
- D55,634 S * 7/1920 Monkhouse D21/408
- D73,182 S * 8/1927 Kasch D8/310
- D252,185 S * 6/1979 Akamatsu D8/387
- D265,232 S * 6/1982 Ronvik D23/250
- D346,134 S * 4/1994 Chin-Sheng D11/131
- D351,569 S * 10/1994 Chin-Sheng D11/117
- D351,623 S * 10/1994 Seiler D21/336
- D369,314 S * 4/1996 Yang D11/121
- D370,038 S * 5/1996 Wright et al. D21/671



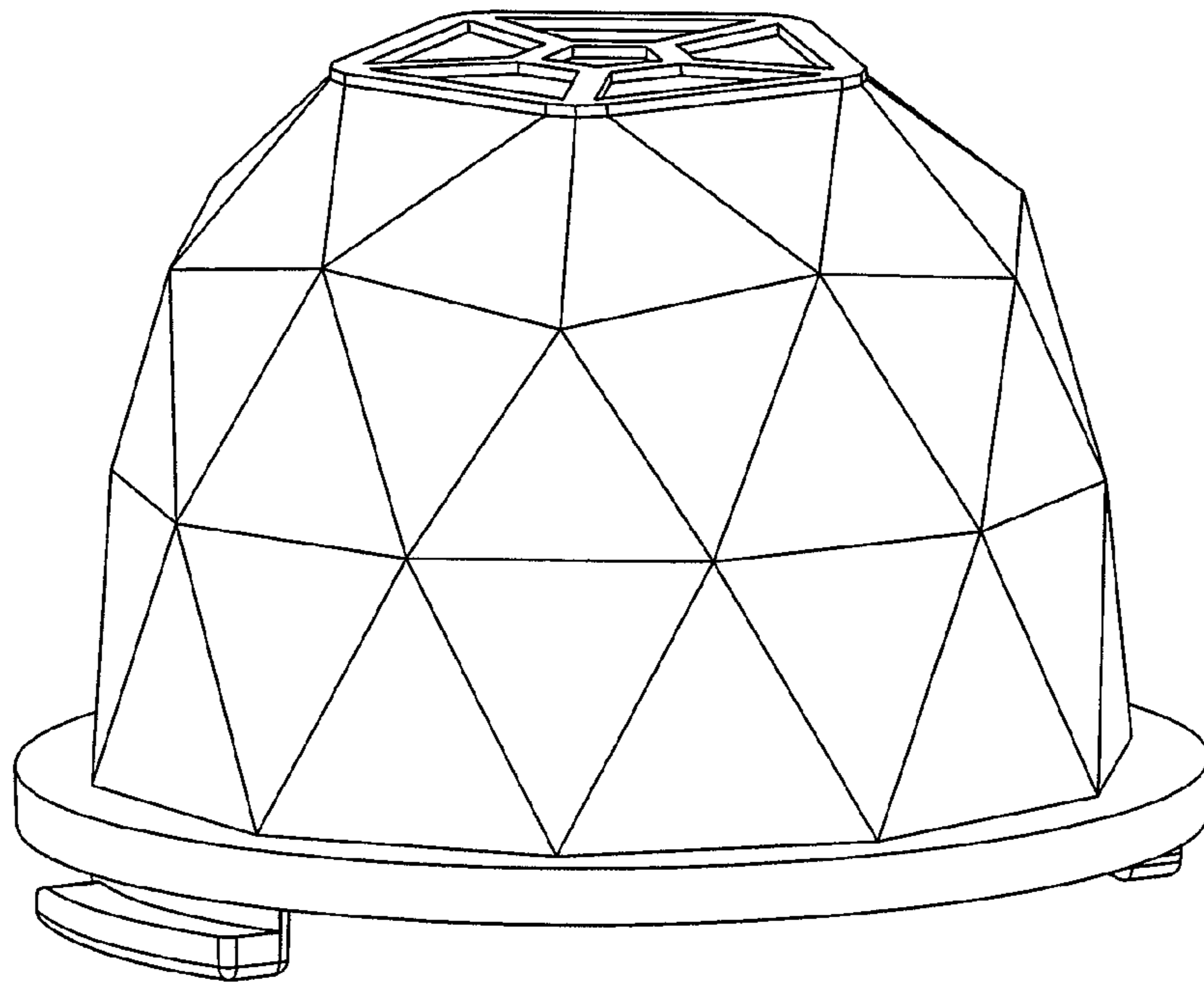


Fig. 1

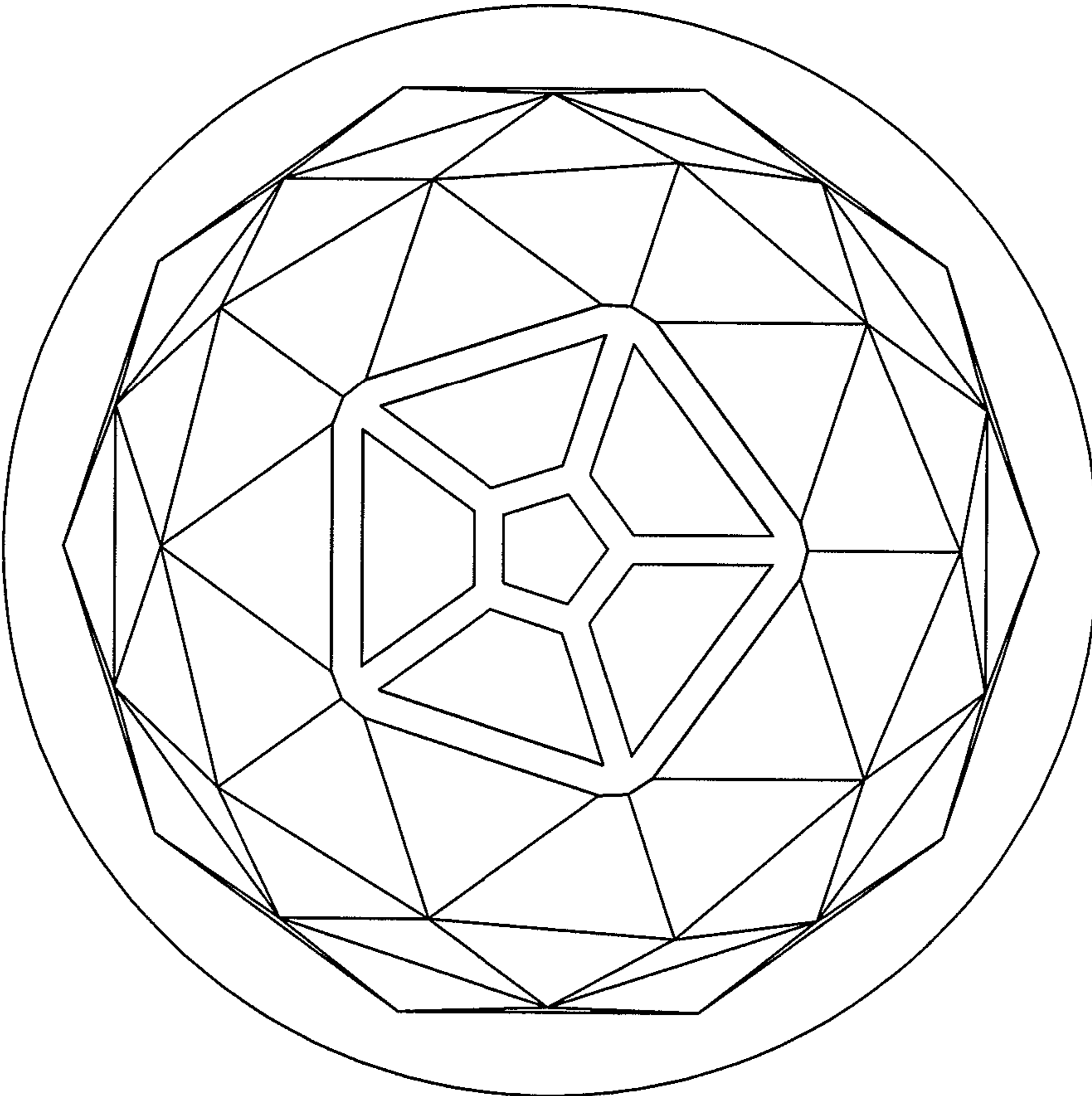


Fig. 2

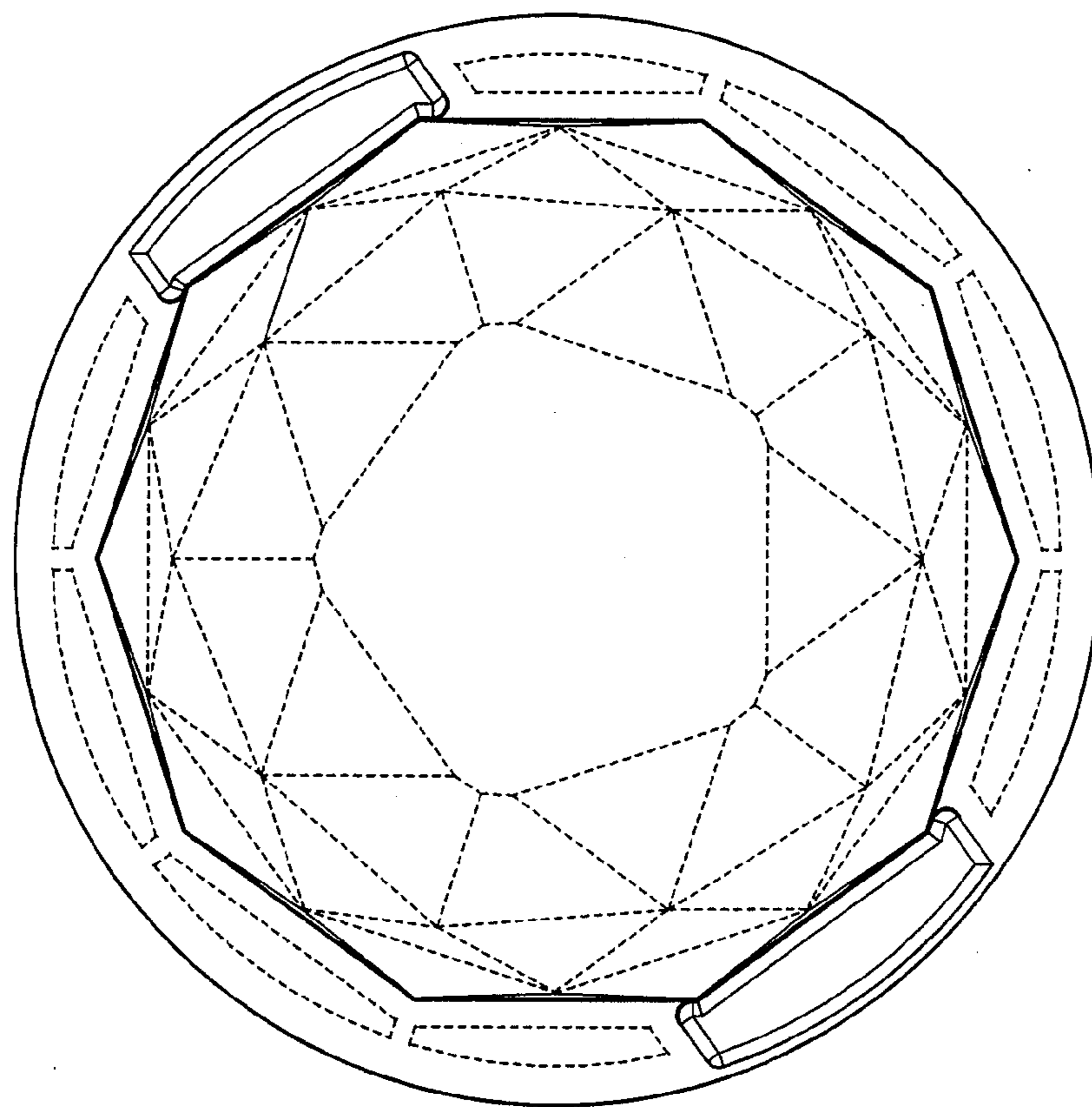


Fig. 3

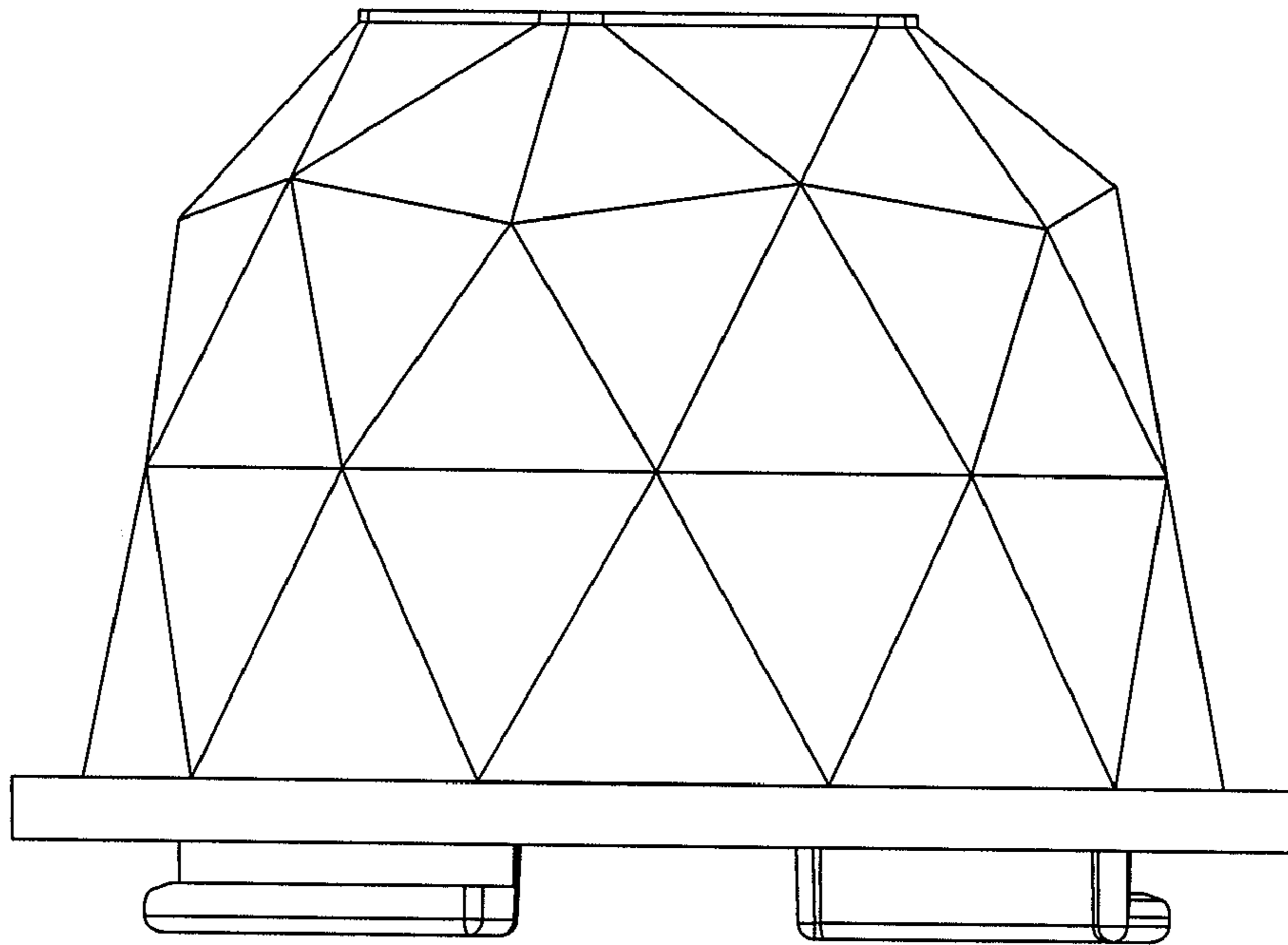


Fig. 4

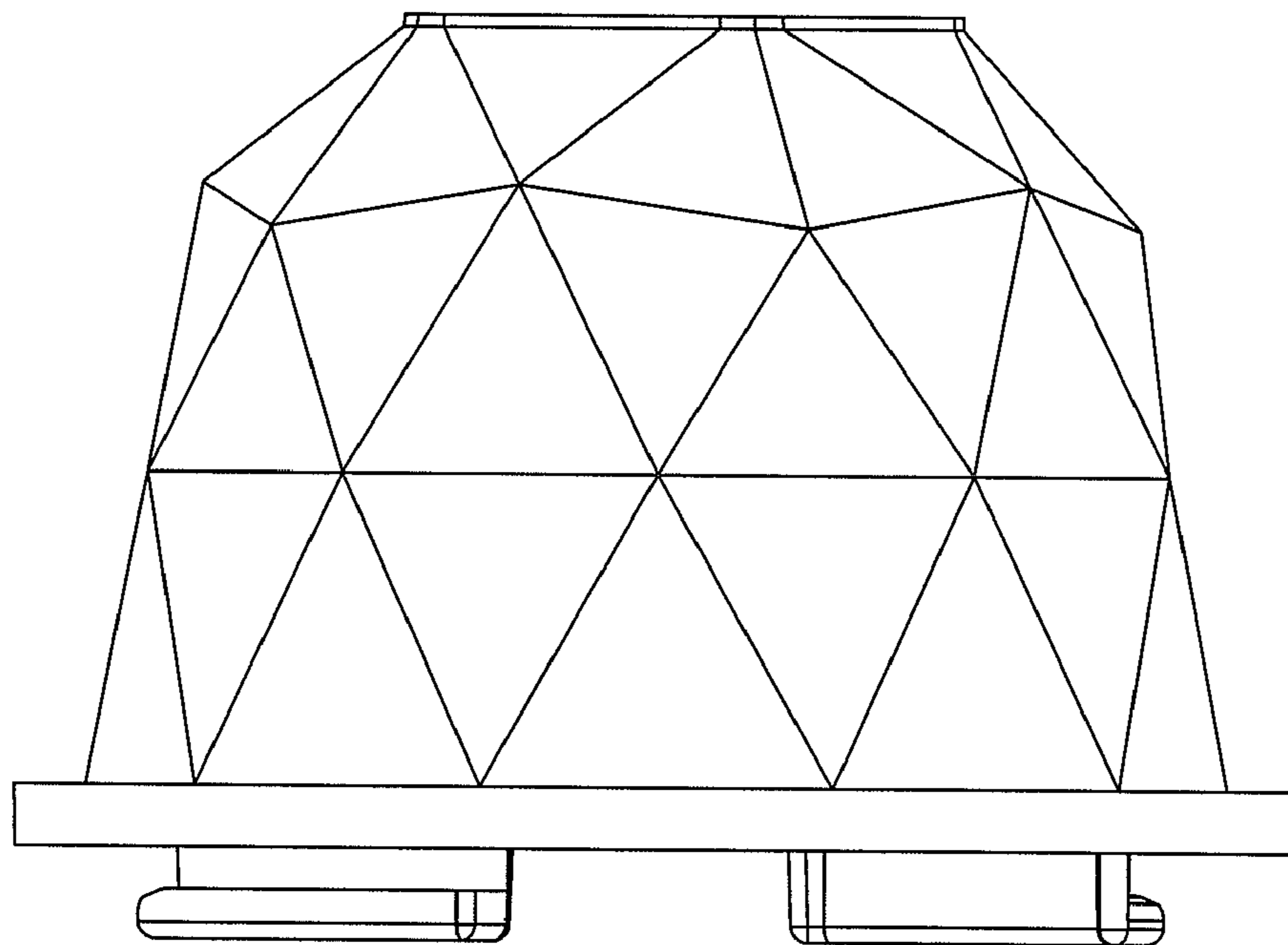


Fig. 5

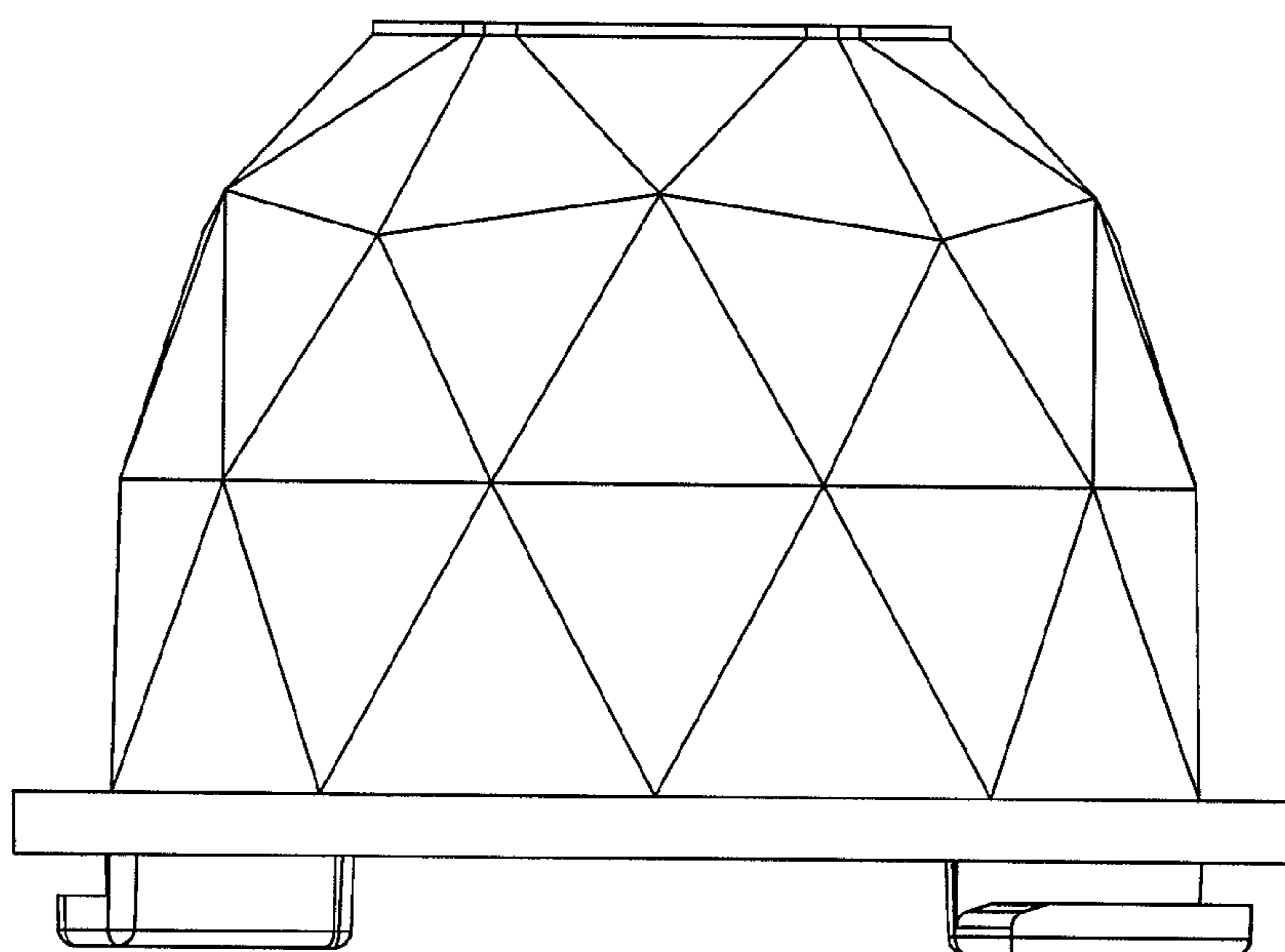


Fig. 6

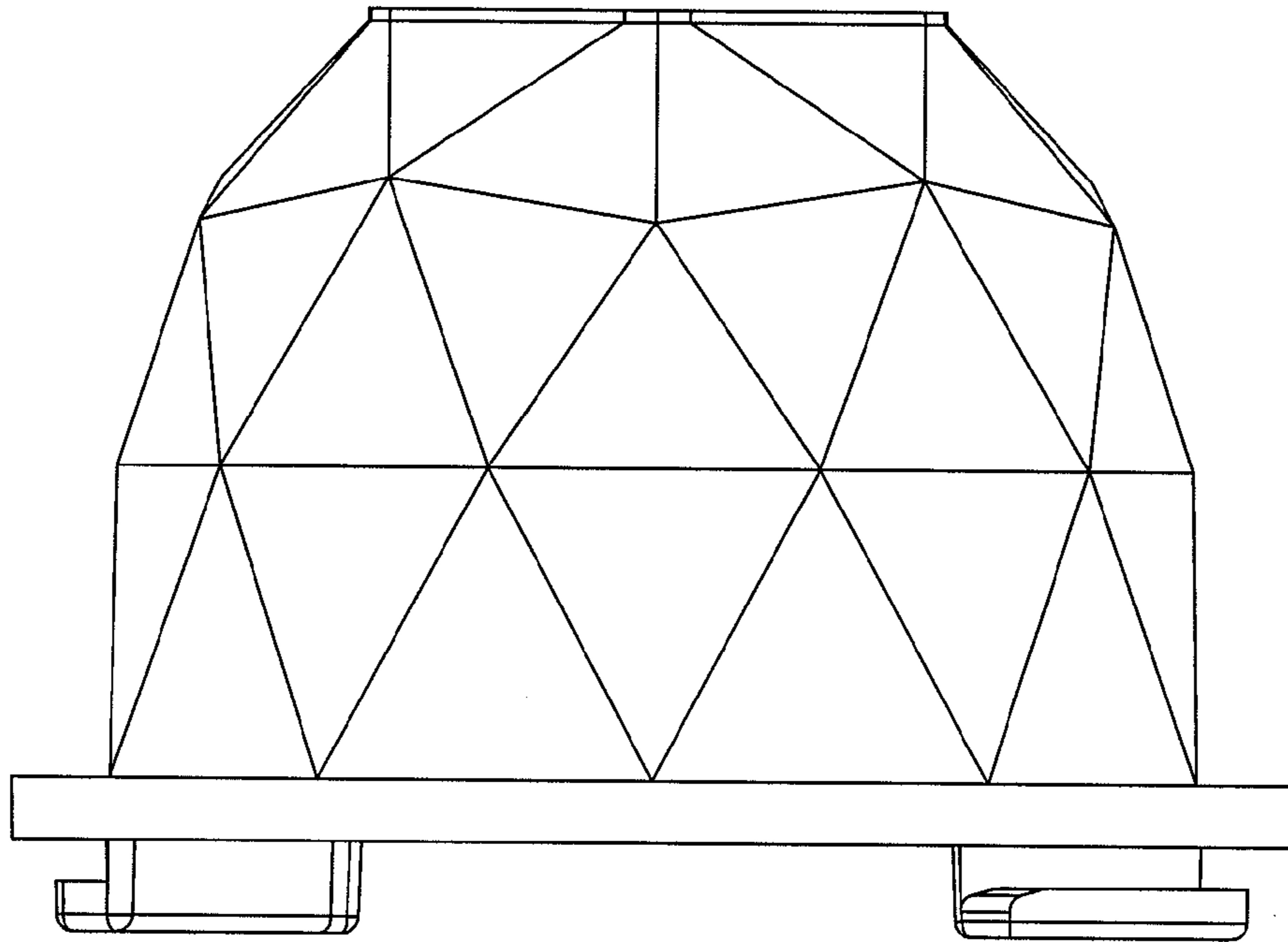


Fig. 7