



US00D676085S

(12) **United States Design Patent**
Bengyak

(10) **Patent No.:** **US D676,085 S**

(45) **Date of Patent:** **** Feb. 12, 2013**

(54) **HAND SIGN**

(76) Inventor: **Christopher Edward Bengyak**, Vero Beach, FL (US)

(**) Term: **14 Years**

(21) Appl. No.: **29/421,020**

(22) Filed: **May 5, 2012**

(51) **LOC (9) Cl.** **20-03**

(52) **U.S. Cl.** **D20/30; D20/33**

(58) **Field of Classification Search** D20/10,
D20/29-33, 35, 36, 99; 40/446, 538, 541,
40/584, 586; D2/615; D11/131, 158, 160;
D21/400; D10/109.1, 109.2

See application file for complete search history.

(56) **References Cited**

U.S. PATENT DOCUMENTS

D295,640	S	*	5/1988	Breault	D10/109.1
D360,653	S	*	7/1995	McKee	D20/33
D404,771	S	*	1/1999	Palardis	D20/29
D429,285	S	*	8/2000	Schini	D20/32
D628,650	S	*	12/2010	Lake	D20/33
D628,651	S	*	12/2010	Lake	D20/33
D633,945	S	*	3/2011	Scott	D20/33
D633,946	S	*	3/2011	Scott	D20/33
D641,791	S	*	7/2011	Scott	D20/33
D649,597	S	*	11/2011	Malinowski	D20/33
D656,198	S	*	3/2012	Bengyak	D20/30
8,141,281	B2	*	3/2012	Sample et al.	40/586
D664,598	S	*	7/2012	Bengyak	D20/30

OTHER PUBLICATIONS

Miami Dolphins Logo—Trademark Registration No. 3019020, Aug. 6, 2003 Miami Dolphins, Ltd. General Partner—South Florida Football Corporation Trademark Electronic Service System (TESS).*

* cited by examiner

Primary Examiner — Mary Ann Calabrese

(57) **CLAIM**

The ornamental design for a hand sign, as shown and described.

DESCRIPTION

FIG. 1 is a right-side elevational view of a first embodiment of a left-hand hand sign according to the invention;

FIG. 2 is a left-side elevational view of the left-hand hand sign of FIG. 1;

FIG. 3 is a rear elevational view of the left-hand hand sign of FIG. 1;

FIG. 4 is a front elevational view of the left-hand hand sign of FIG. 1;

FIG. 5 is a top plan view of the left-hand hand sign of FIG. 1;

FIG. 6 is a bottom plan view of the left-hand hand sign of FIG. 1;

FIG. 7 is a perspective view from above the front of the left side of the left-hand hand sign of FIG. 2;

FIG. 8 is a perspective view from below the rear of the left side of the left-hand hand sign of FIG. 2;

FIG. 9 is a left-side elevational view of a second embodiment of a right-hand hand sign according to the invention;

FIG. 10 is a right-side elevational view of the right-hand hand sign of FIG. 9;

FIG. 11 is a reduced scale front elevational view of the right-hand hand sign of FIG. 9;

FIG. 12 is a reduced scale rear elevational view of the right-hand hand sign of FIG. 9;

FIG. 13 is a reduced scale top plan view of the right-hand hand sign of FIG. 9;

FIG. 14 is a reduced scale bottom plan view of the right-hand hand sign of FIG. 9;

FIG. 15 is a perspective view from above the front of the right side of the right-hand hand sign of FIG. 10; and,

FIG. 16 is a perspective view from below the rear of the right side of the right-hand hand sign of FIG. 10.

The Stylized Dolphin and Sun is a registered trademark owned by Miami Dolphins, Ltd. General Partner—South Florida Football Corporation—a Florida Corp. LIMITED PARTNERSHIP FLORIDA 7500 S.W. 30th Street Davie Fla. 33314.

1 Claim, 12 Drawing Sheets





FIG. 1

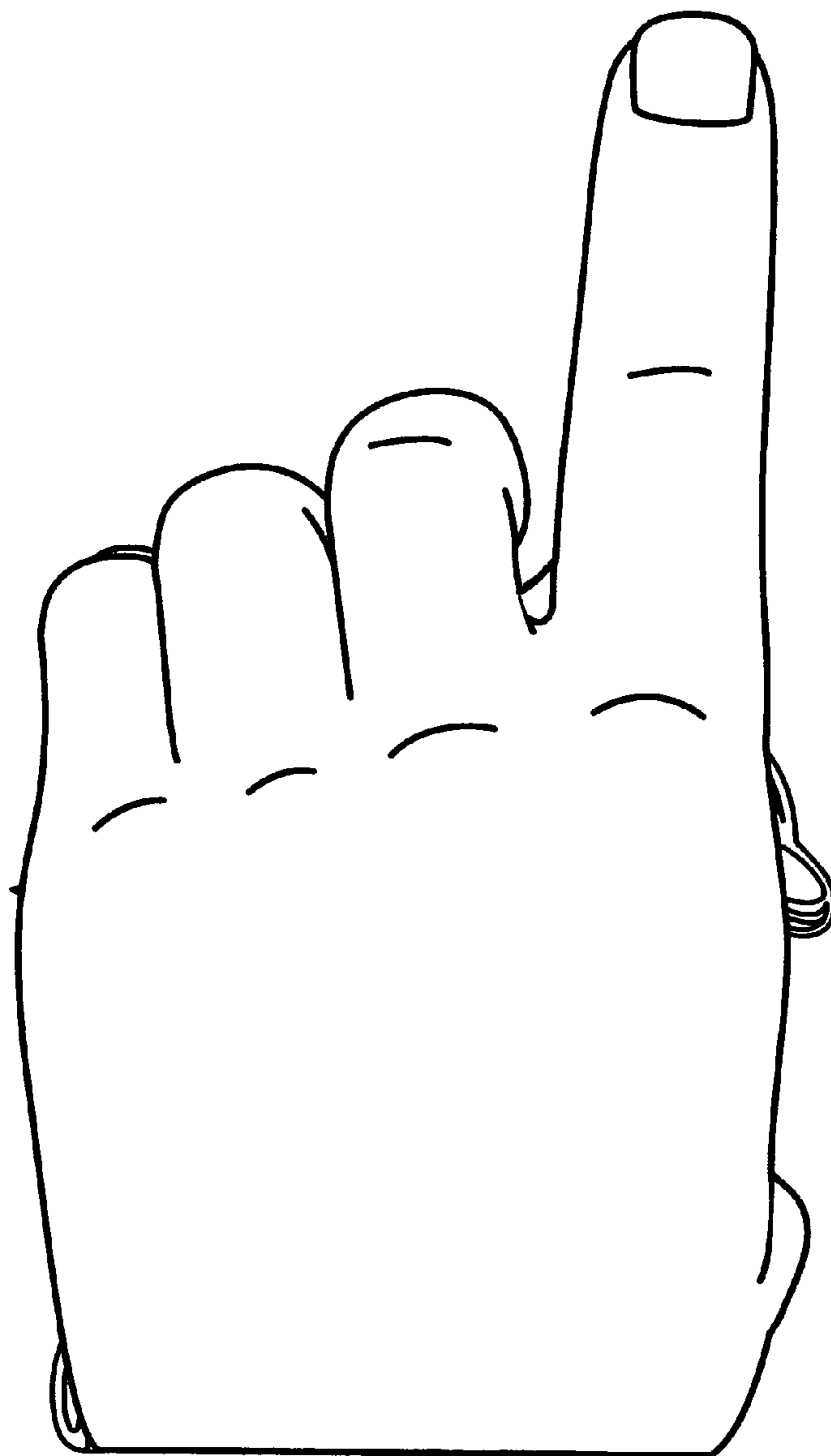


FIG. 2

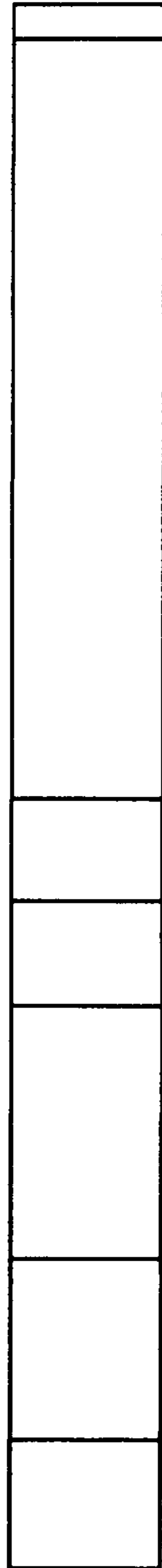


FIG. 3



FIG. 4

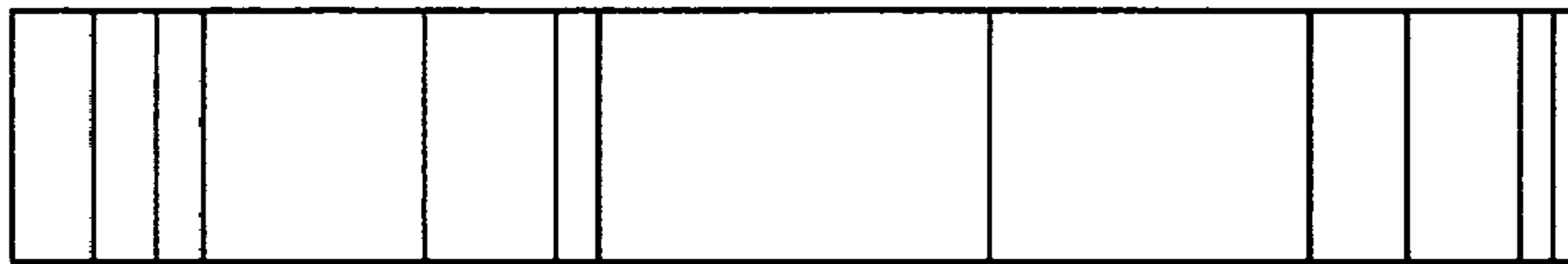


FIG. 5

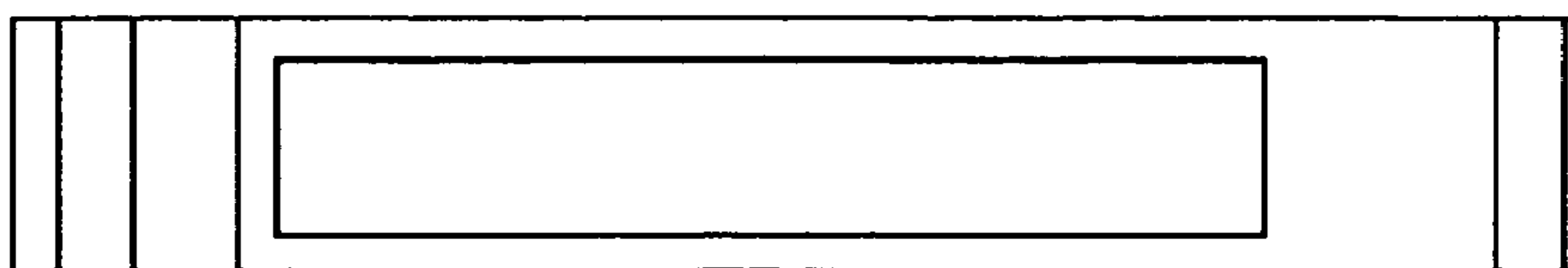


FIG. 6

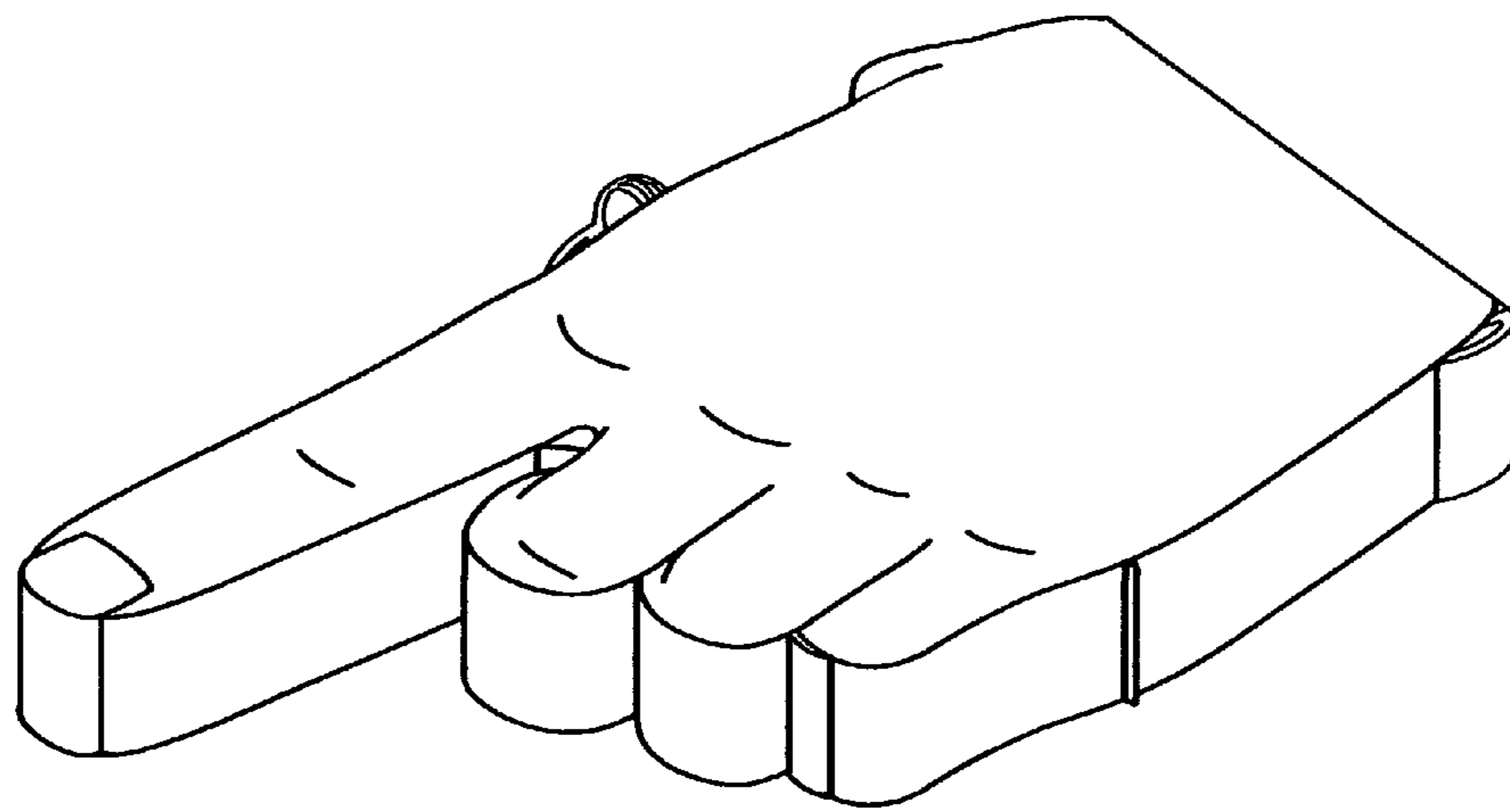


FIG. 7

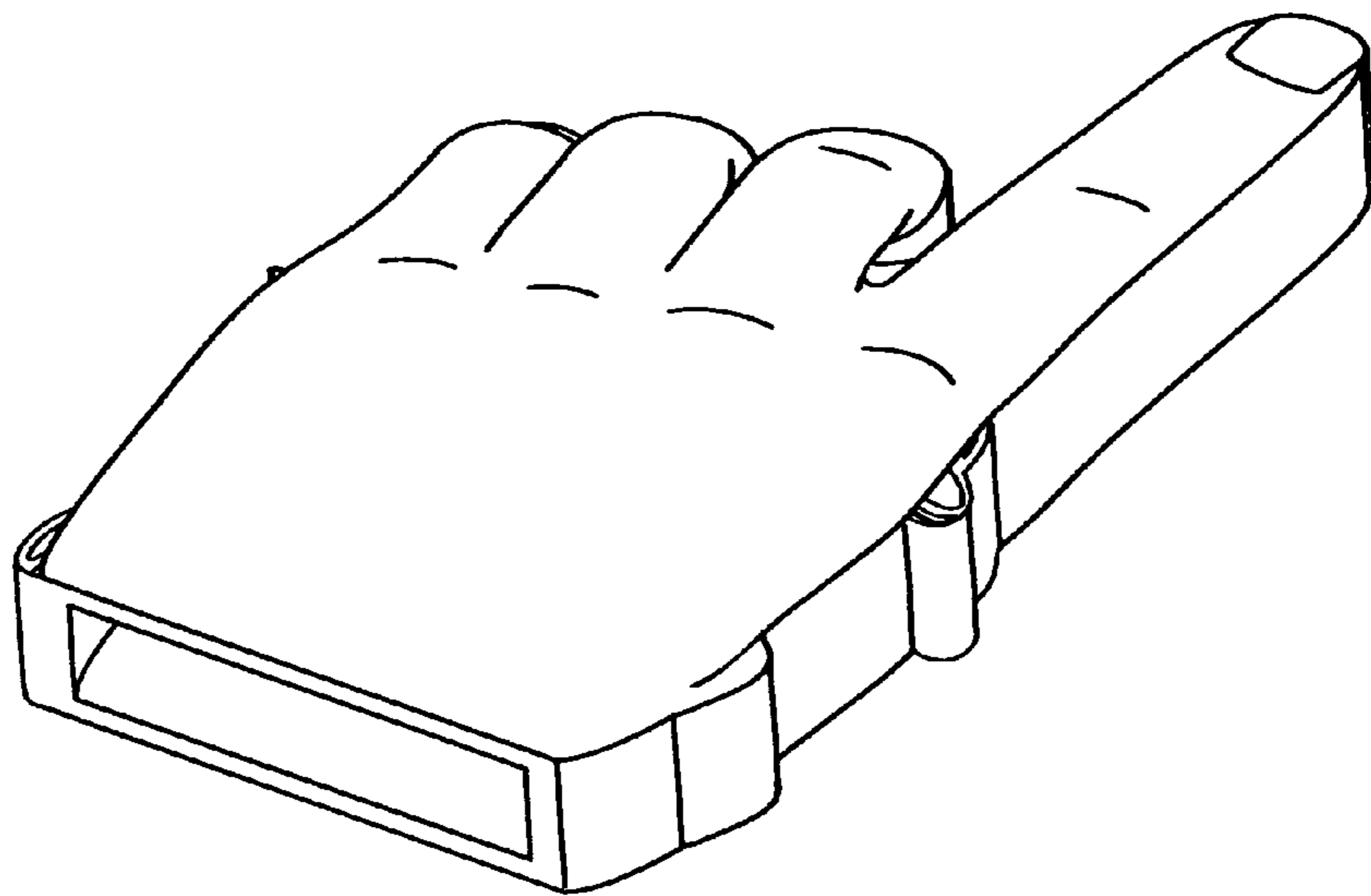


FIG. 8



FIG. 9

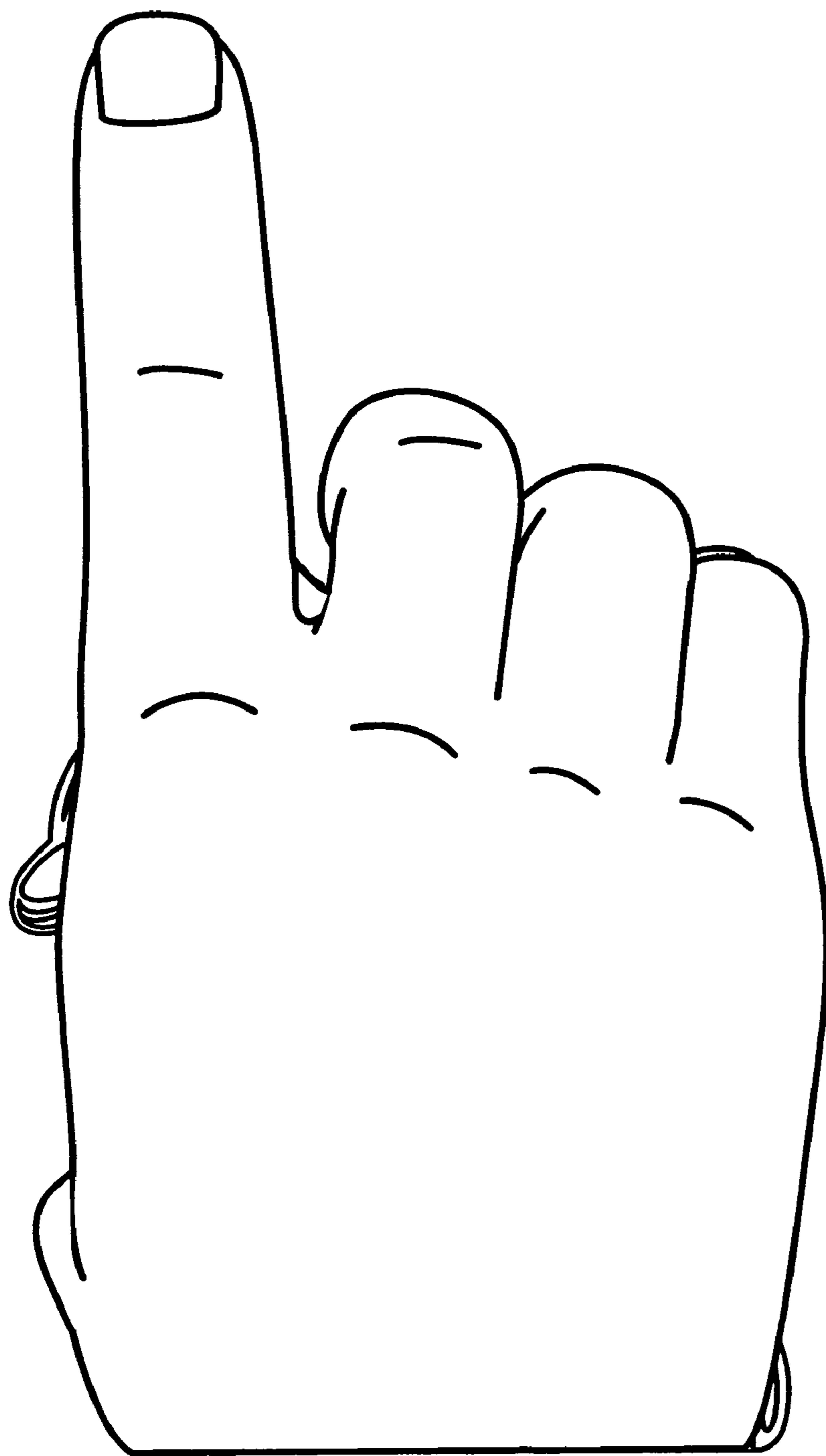


FIG. 10

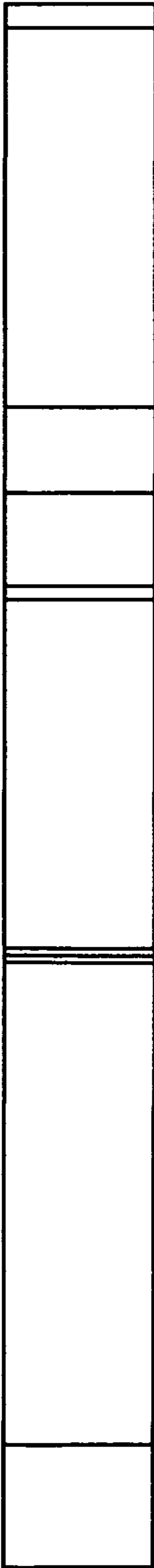


FIG. 11

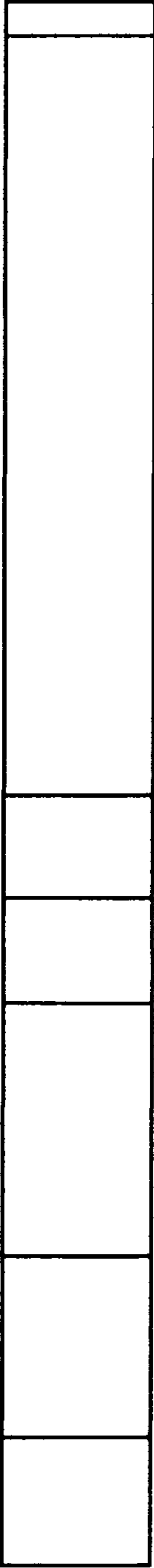


FIG. 12

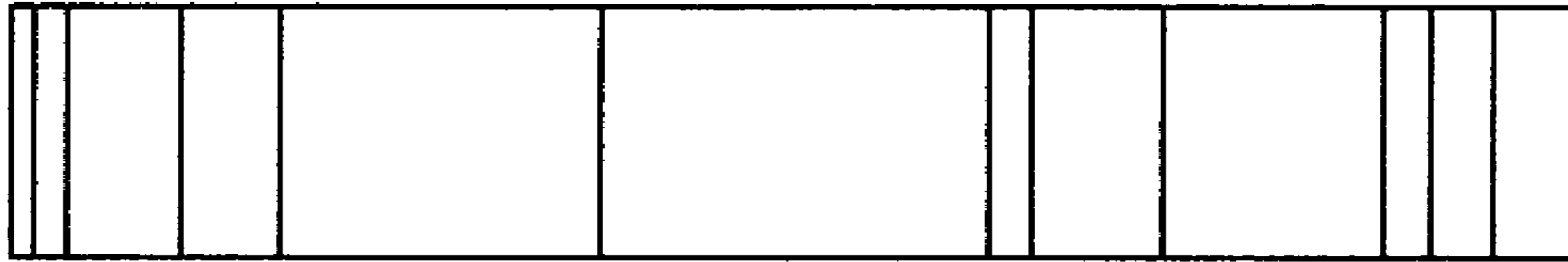


FIG. 13

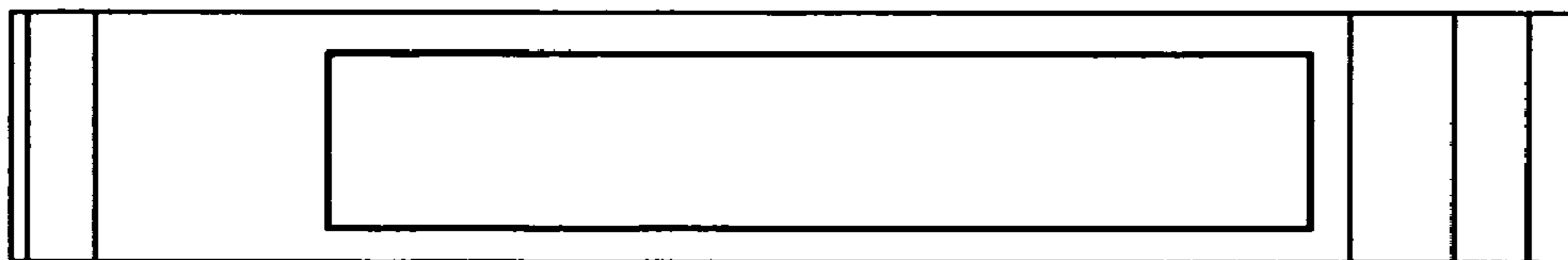


FIG. 14

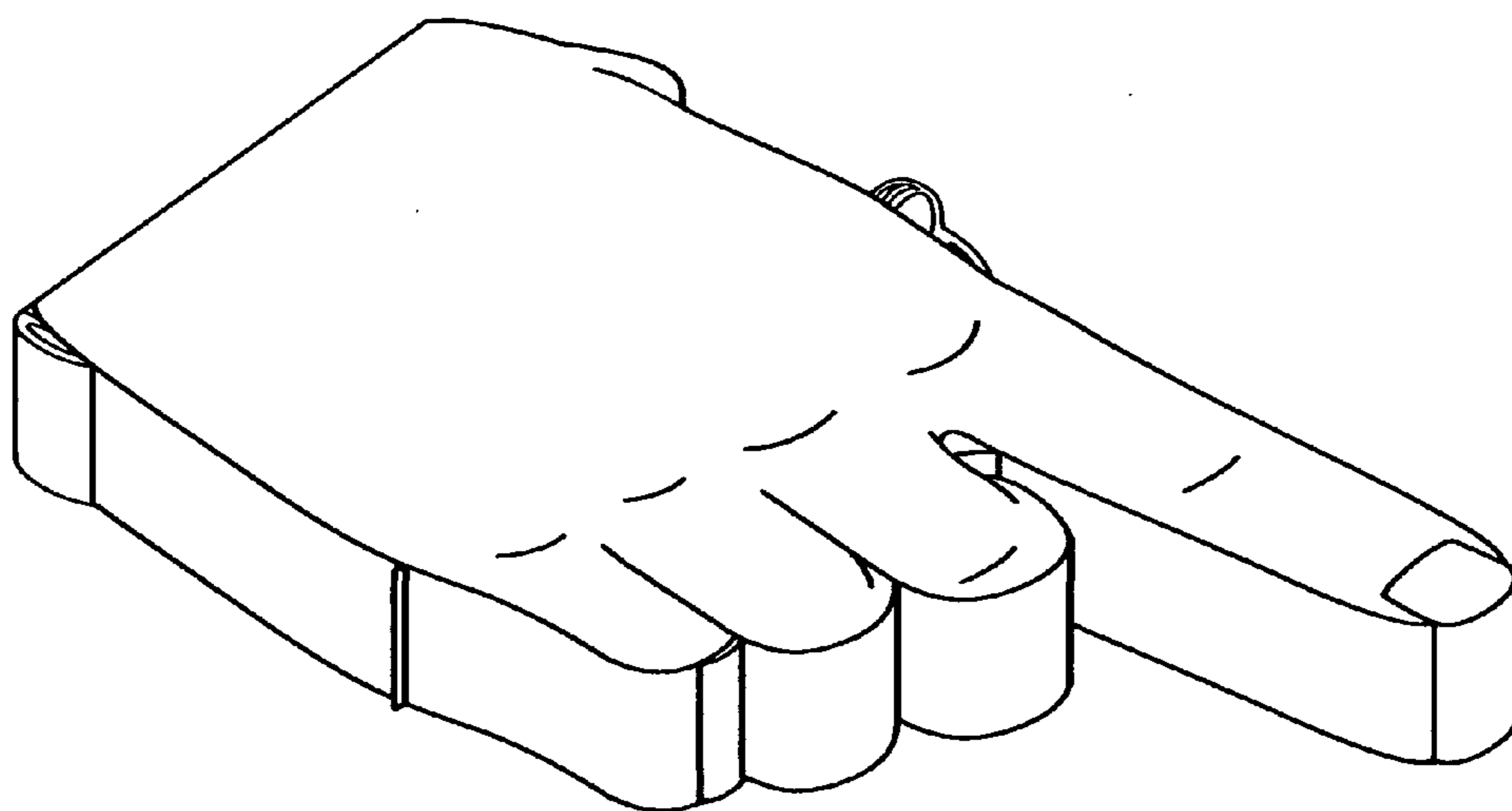


FIG. 15

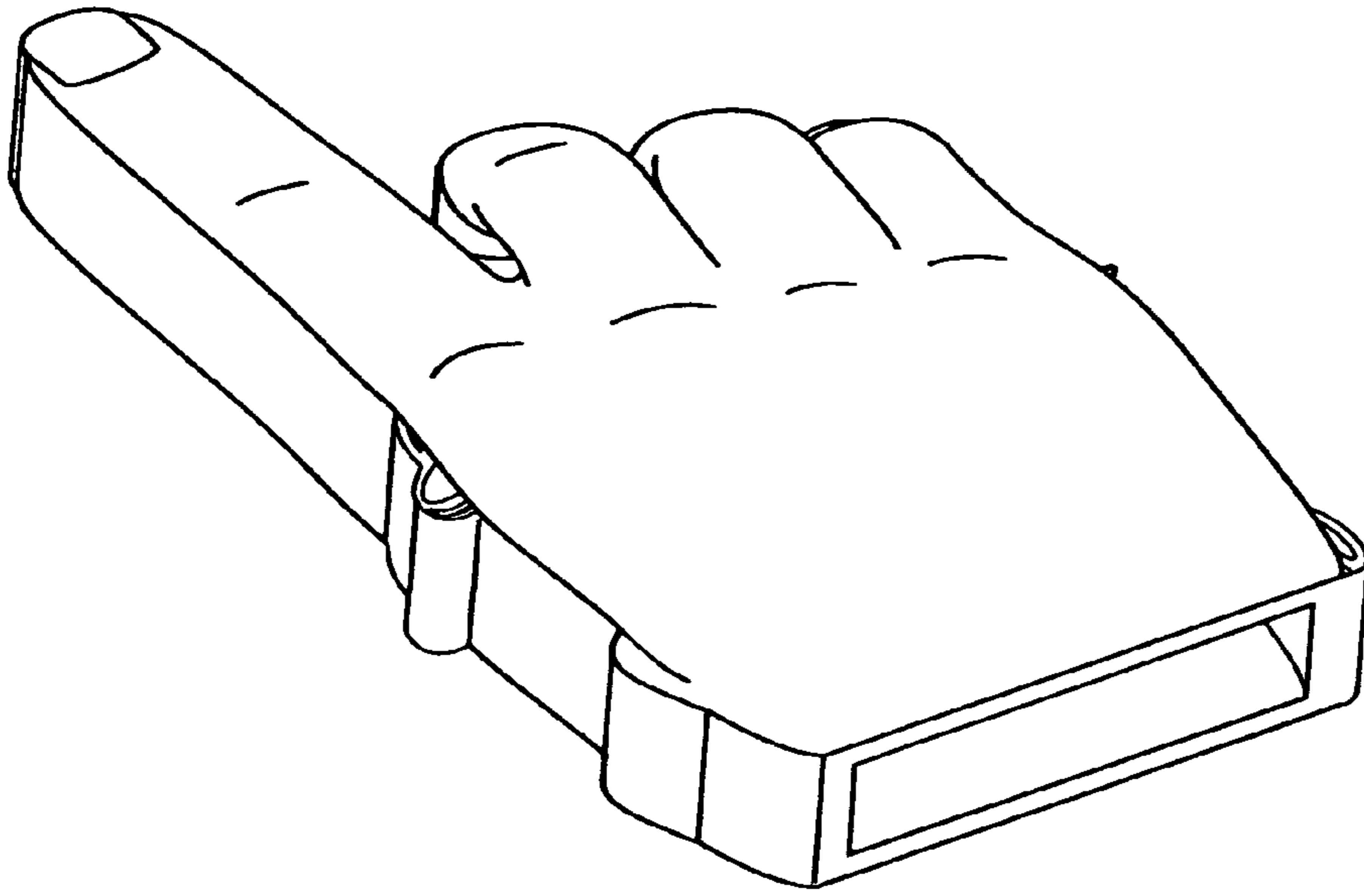


FIG. 16