



US00D676080S

(12) **United States Design Patent**
Van Den Broecke et al.

(10) **Patent No.:** **US D676,080 S**
(45) **Date of Patent:** **** Feb. 12, 2013**

(54) **PRINTER**

(75) Inventors: **Stefaan Van Den Broecke**, Ghent (BE);
Yves Peeters, Langdorp (BE); **Philip**
Madden, Brasschaat (BE); **Ward**
Adriaenssen, Schoten (BE)

(73) Assignee: **Dymo**, Sint-Niklaas (BE)

(**) Term: **14 Years**

(21) Appl. No.: **29/376,623**

(22) Filed: **Oct. 8, 2010**

(30) **Foreign Application Priority Data**

Apr. 9, 2010 (EM) 001208987

(51) **LOC (9) Cl.** **18-99**

(52) **U.S. Cl.** **D18/14**

(58) **Field of Classification Search** D18/14-21,
D18/6-7, 50, 52; D19/68; D14/347, 426;
358/1.1, 1.6, 1.8; 101/111, 288; 156/DIG. 48,
156/DIG. 49

See application file for complete search history.

(56) **References Cited**

U.S. PATENT DOCUMENTS

D312,622 S	12/1990	Alden et al.	
D325,574 S	4/1992	Carver	
D360,890 S	8/1995	Tremlett	
D414,172 S	9/1999	Hetfield et al.	
D429,226 S *	8/2000	Siddoway et al.	D14/347
D462,357 S *	9/2002	Jenkins	D14/426
D463,425 S	9/2002	Jenkins	
D467,918 S	12/2002	Fitch et al.	
D477,598 S	7/2003	Mathiowetz et al.	
D491,977 S	6/2004	Shimoki	
D496,683 S	9/2004	Matsumoto et al.	
D526,004 S	8/2006	Obenshain et al.	
D536,365 S *	2/2007	Ono et al.	D18/7
D552,606 S	10/2007	Swanson et al.	

7,284,920 B2	10/2007	Waldal	
D557,696 S	12/2007	Conti et al.	
D566,753 S	4/2008	Suzuki et al.	
D598,485 S *	8/2009	Miyahara et al.	D18/7
D598,486 S *	8/2009	Miyahara et al.	D18/7
D601,620 S	10/2009	Mase et al.	
D611,943 S	3/2010	Boyd	
D614,626 S	4/2010	Dai et al.	
D619,638 S *	7/2010	McConnell et al.	D18/14
8,092,104 B2 *	1/2012	Buzuev et al.	400/76
D664,189 S *	7/2012	Van Den Broecke et al.	D18/14
D664,543 S *	7/2012	Peskin et al.	D14/426
2002/0193082 A1 *	12/2002	Uemura et al.	455/90
2008/0297479 A1 *	12/2008	Yeh	345/169

OTHER PUBLICATIONS

Blanc et al., U.S. Appl. No. 29/351,801, "Label Printer," filed Dec. 11, 2009.

Thomas & Belts, EZCODE® Professional Labeling System, EZL500 Thermal Label Printer brochure, published more than 1-year before Oct. 8, 2010.

* cited by examiner

Primary Examiner — Ian Simmons

Assistant Examiner — Charles Hanson

(74) *Attorney, Agent, or Firm* — Marshall, Gerstein & Borun LLP

(57) **CLAIM**

The ornamental design for printer, as shown and described.

DESCRIPTION

FIG. 1 is a front view showing our new design for a printer; FIG. 2 is a left side view of the printer of FIG. 1; FIG. 3 is a right side view of the printer of FIG. 1; FIG. 4 is a back view of the printer of FIG. 1; FIG. 5 is a bottom view of the printer of FIG. 1; FIG. 6 is a top view of the printer of FIG. 1; and, FIG. 7 is a front perspective view of the printer of FIG. 1.

1 Claim, 6 Drawing Sheets

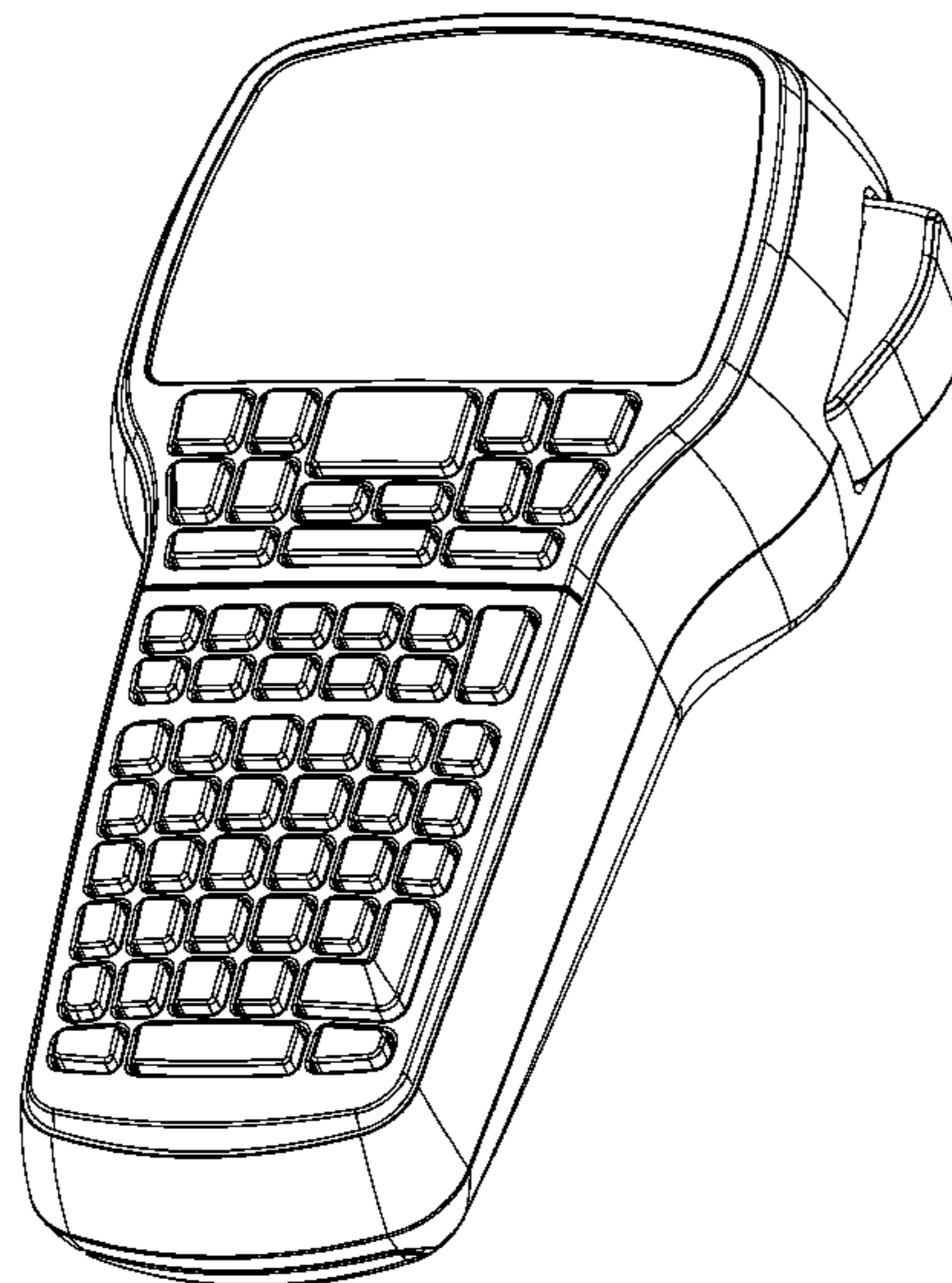


Fig. 1

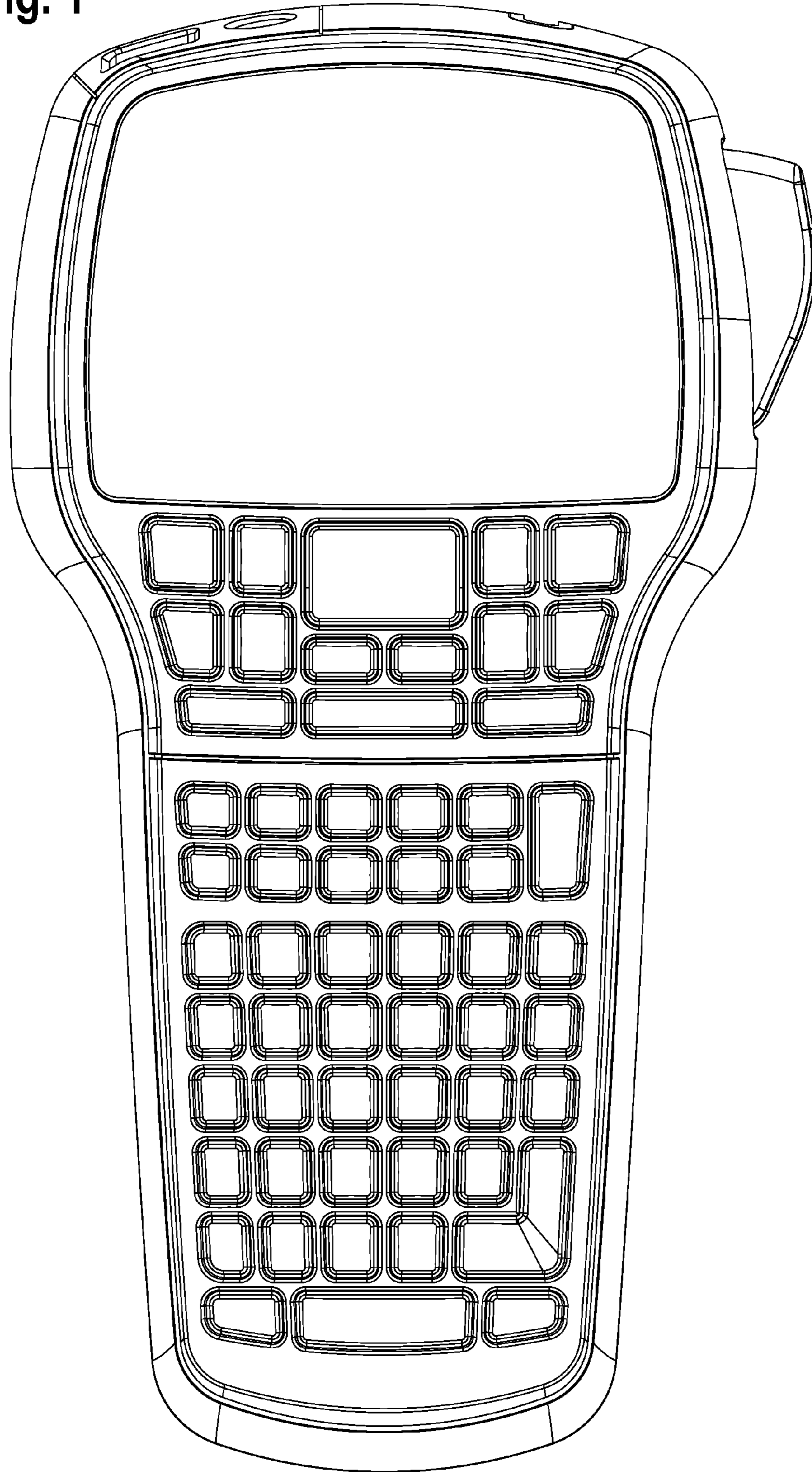


Fig. 2

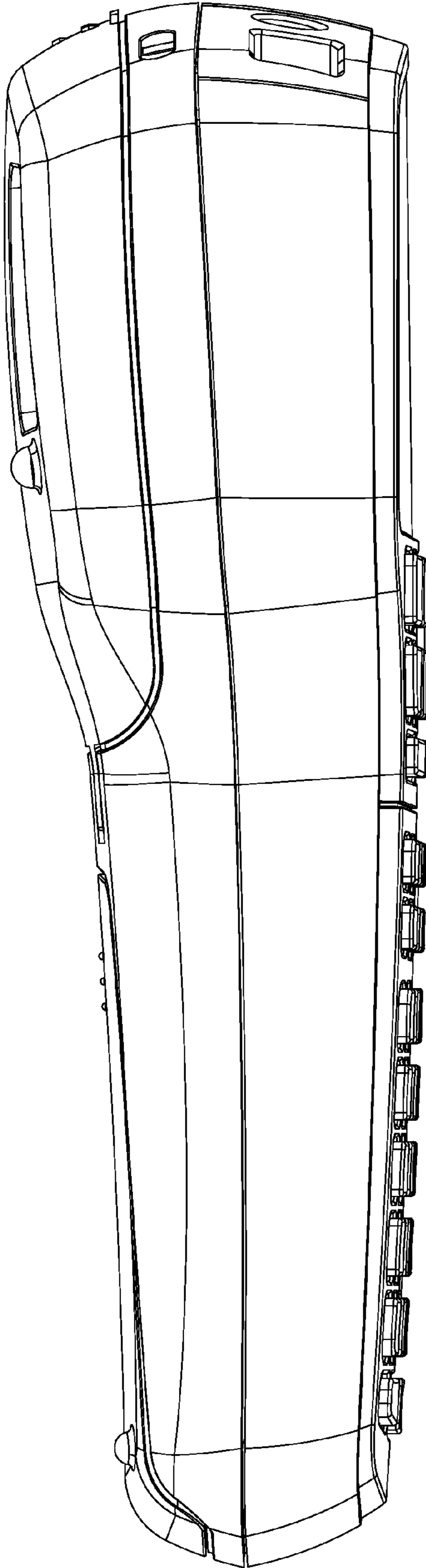


Fig. 3

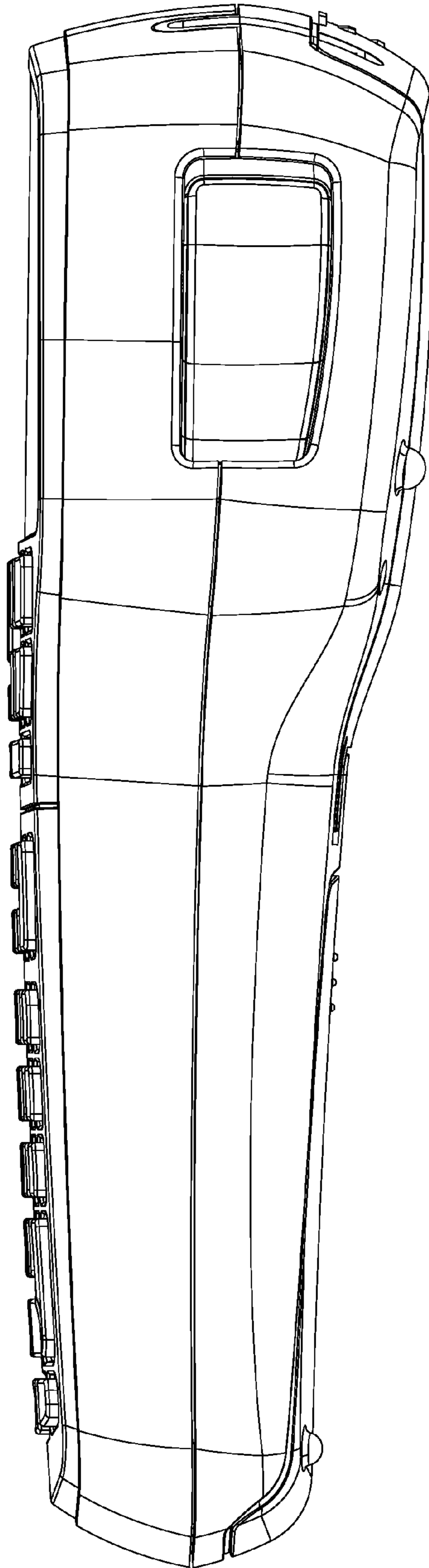


Fig. 4

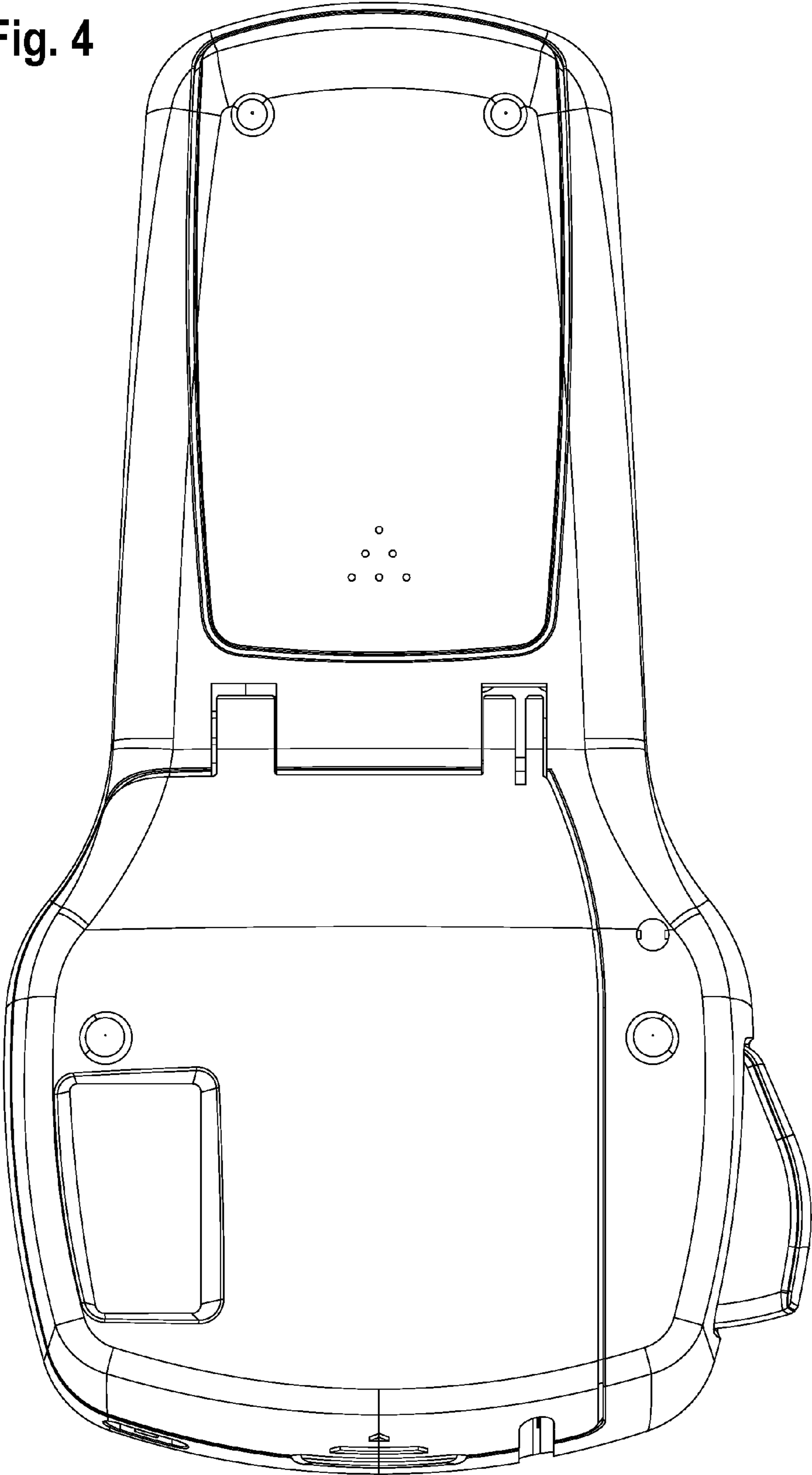


Fig. 5

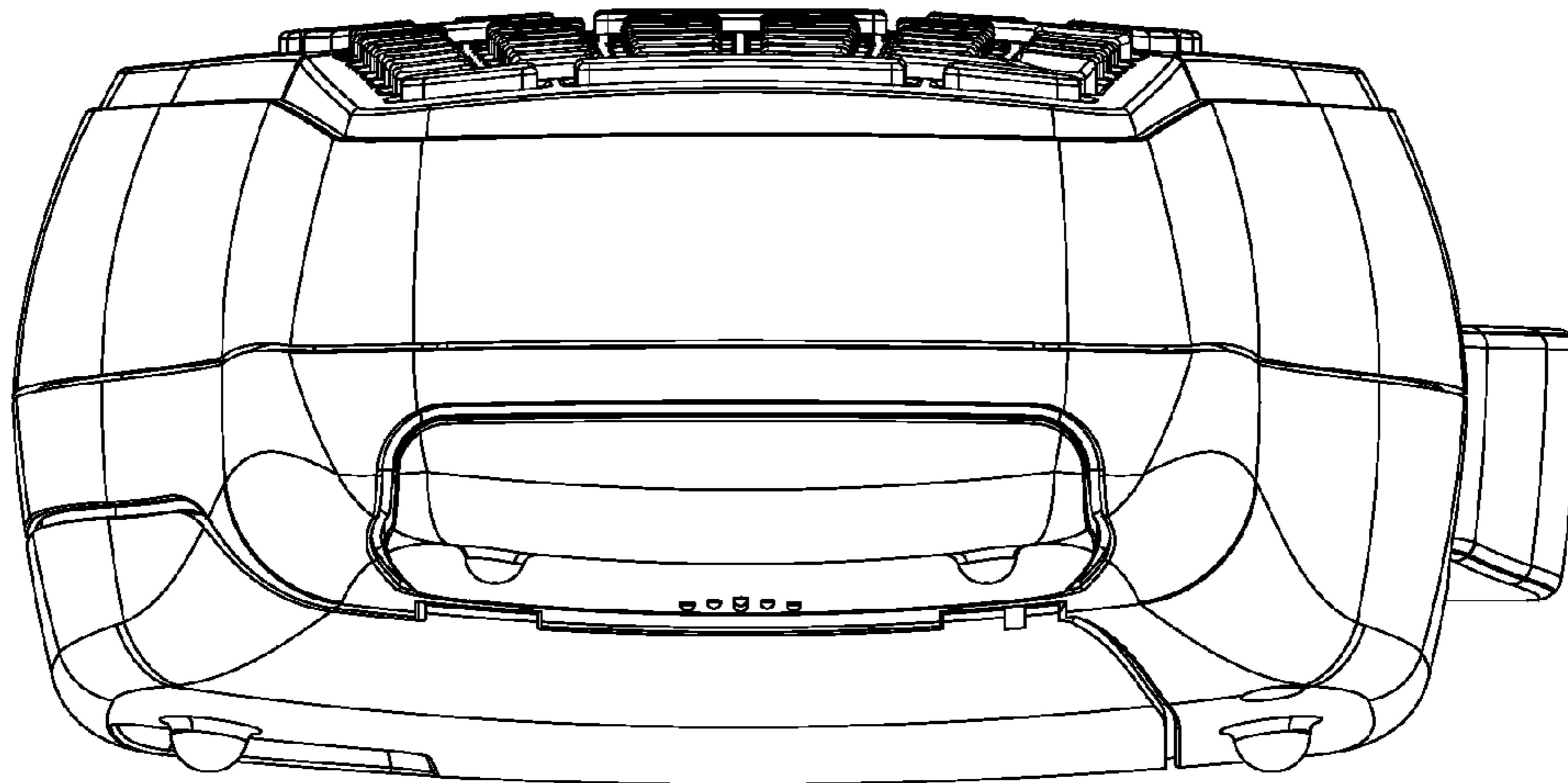


Fig. 6

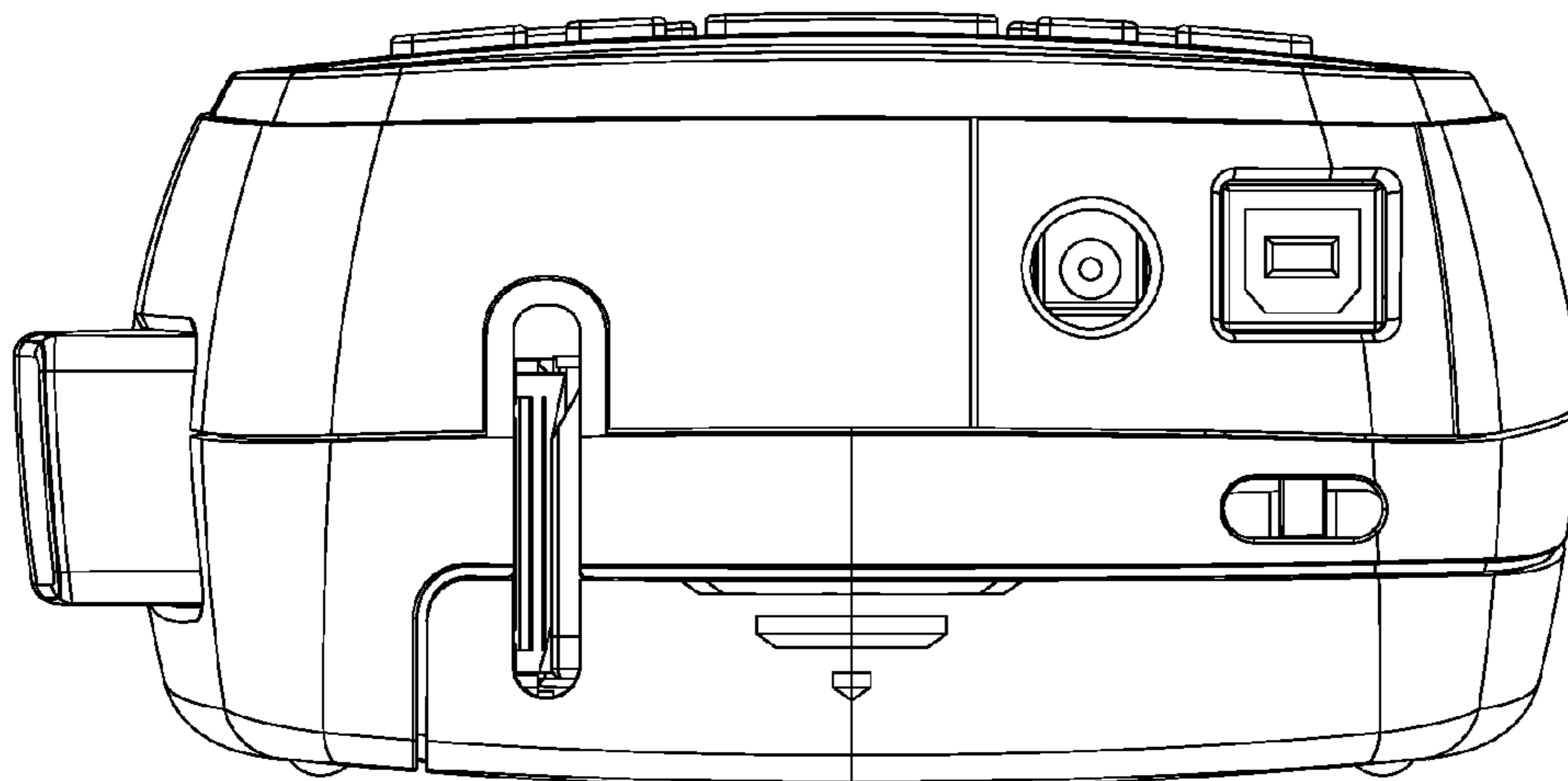


Fig. 7

