



US00D676077S

(12) **United States Design Patent**
Miyauchi et al.

(10) **Patent No.:** **US D676,077 S**
(45) **Date of Patent:** **** Feb. 12, 2013**

(54) **SENSOR FOR PROJECTOR FOR AN INTERACTIVE DISPLAY**

(75) Inventors: **Hiroto Miyauchi**, Matsumoto (JP);
Kenji Sakamoto, Suwa (JP)

(73) Assignee: **Seiko Epson Corporation**, Tokyo (JP)

(**) Term: **14 Years**

(21) Appl. No.: **29/404,635**

(22) Filed: **Oct. 24, 2011**

(30) **Foreign Application Priority Data**

Aug. 26, 2011 (JP) 2011-019387

(51) **LOC (9) Cl.** **16-02**

(52) **U.S. Cl.** **D16/235; D16/225**

(58) **Field of Classification Search** D16/200–205,
D16/208, 219, 221, 229, 225, 234–235, 230–231;
D21/514; D26/37, 39, 41, 50, 93; D24/209–210;
396/153; 353/115, 119, 122

See application file for complete search history.

(56) **References Cited**

U.S. PATENT DOCUMENTS

D196,155 S * 8/1963 Hoogesteger et al. D16/221
3,480,356 A * 11/1969 Dimitracopoulos 353/115
D226,357 S * 2/1973 Peters D16/229

D253,058 S * 10/1979 Antos D16/229
5,249,005 A * 9/1993 Furuno 353/119
D400,904 S * 11/1998 Calello D16/225
D620,185 S * 7/2010 Schmitt et al. D26/93
D645,072 S * 9/2011 Luo D16/230
2012/0214323 A1* 8/2012 Gore et al. 353/119

* cited by examiner

Primary Examiner — Wan Laymon

(74) *Attorney, Agent, or Firm* — Oliff & Berridge, PLC

(57) **CLAIM**

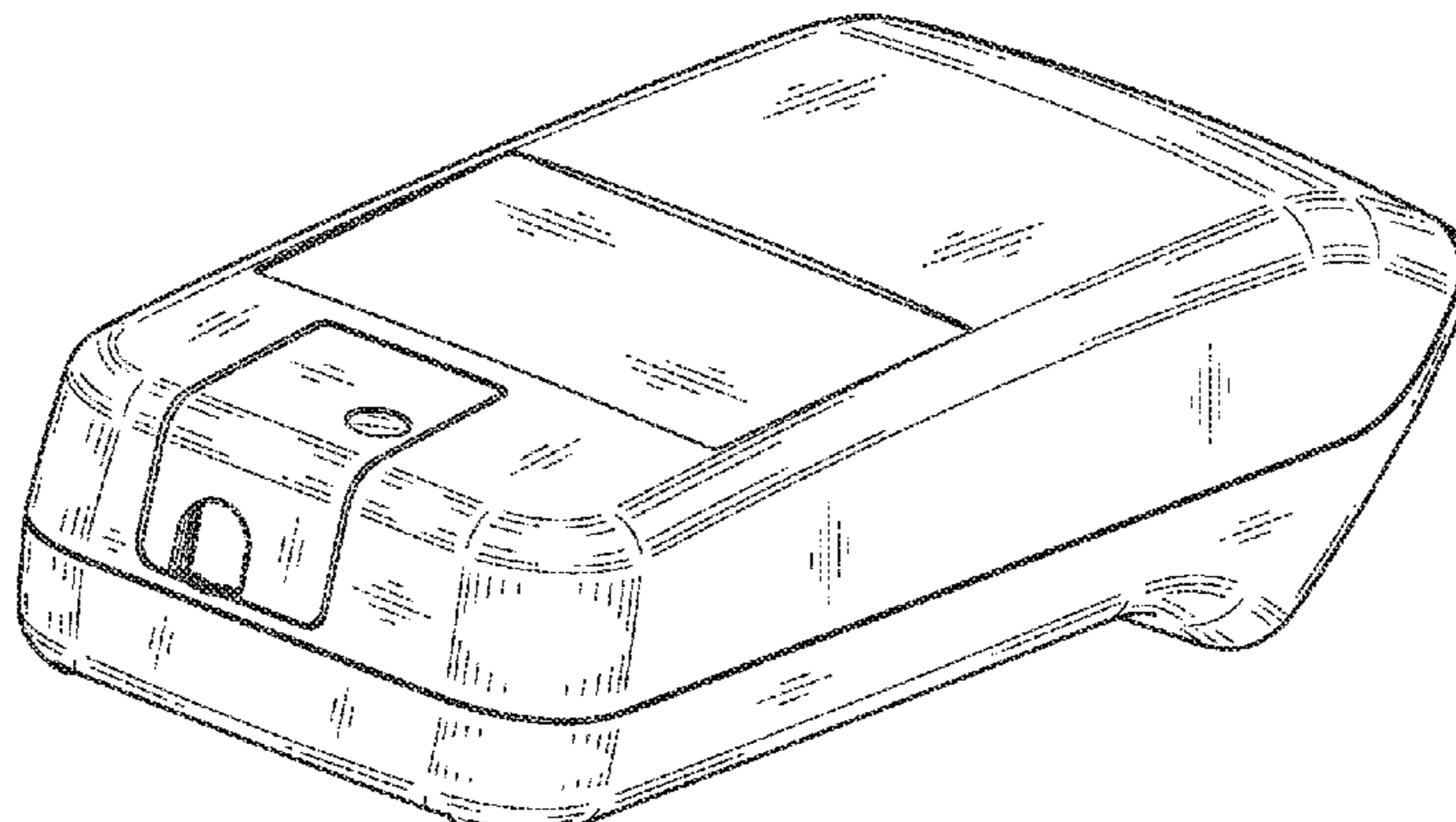
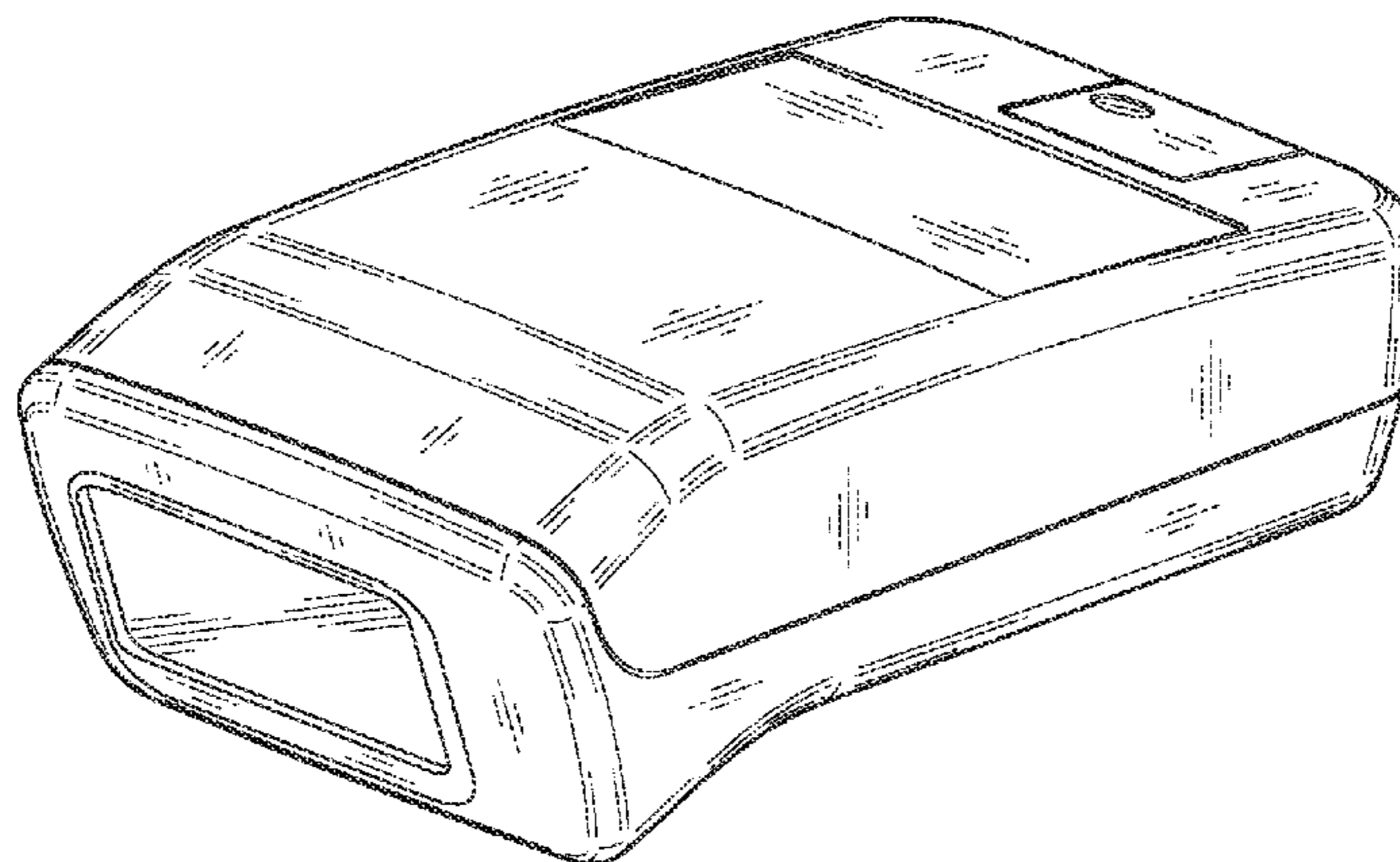
The ornamental design for a sensor for projector for an interactive display, as shown and described.

DESCRIPTION

FIG. 1 is a top, front, left-side perspective view of a sensor for projector for an interactive display;
FIG. 2 is a top, rear, right-side perspective view thereof;
FIG. 3 is front view thereof;
FIG. 4 is a rear view thereof;
FIG. 5 is a left-side view thereof;
FIG. 6 is a right-side view thereof;
FIG. 7 is a top view thereof; and,
FIG. 8 is a bottom view thereof.

The broken lines shown in FIGS. 2, 6 and 8 represent portions of the sensor for projector for an interactive display that form no part of the claimed design.

1 Claim, 4 Drawing Sheets



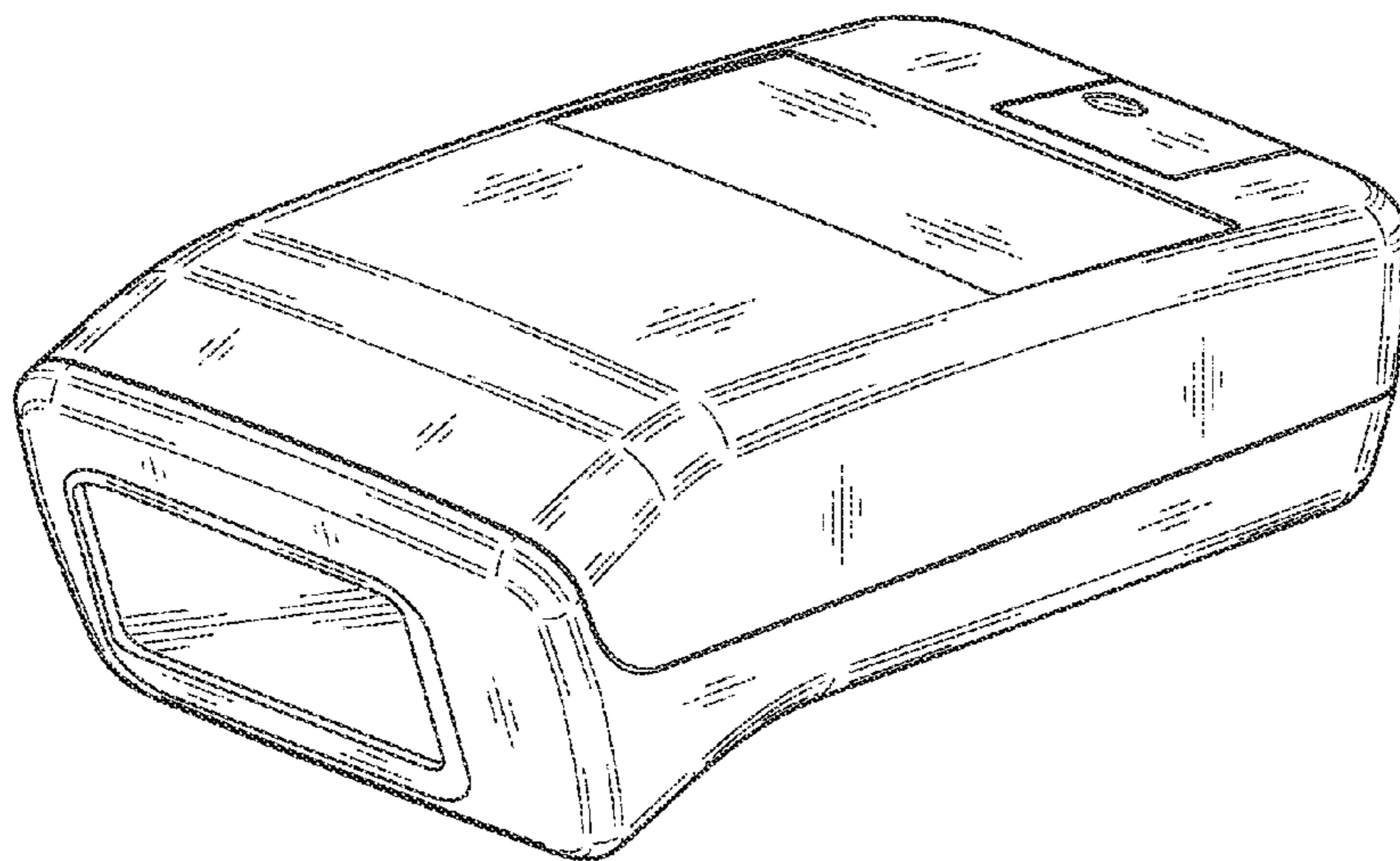


FIG. 1

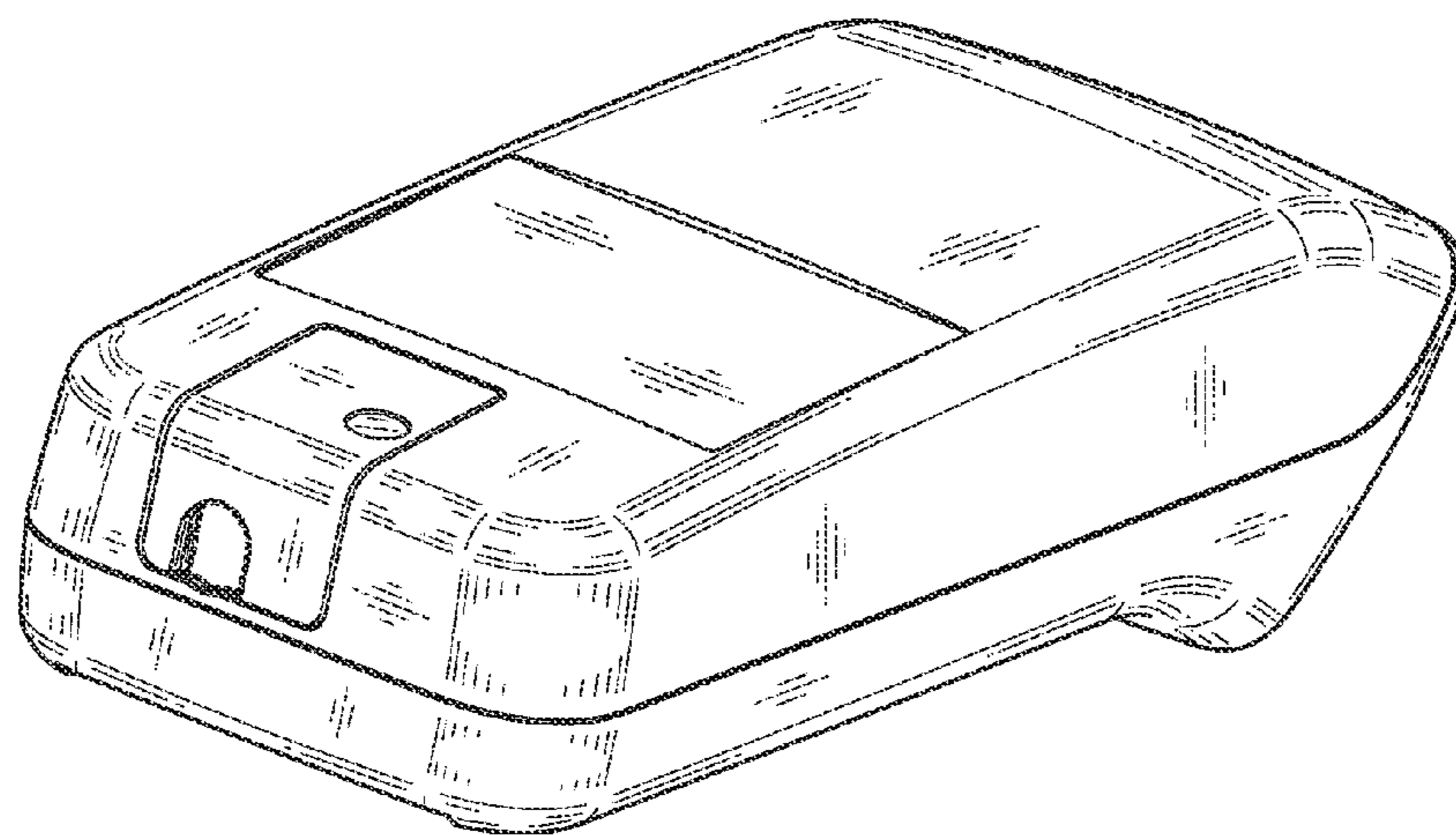


FIG. 2

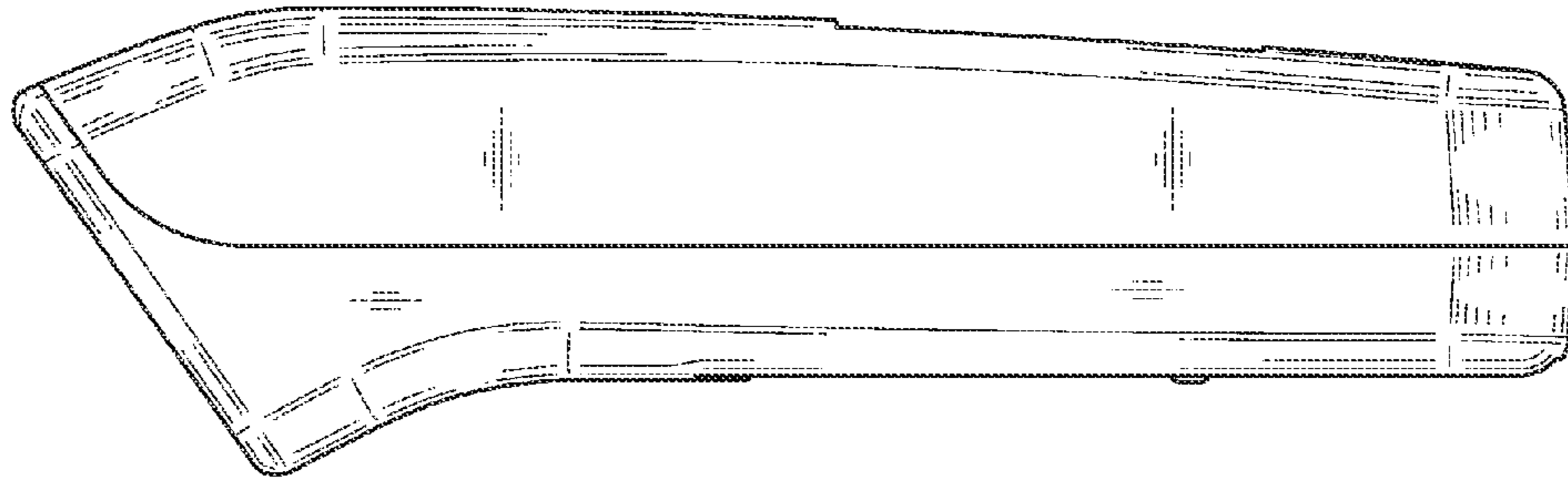


FIG. 3

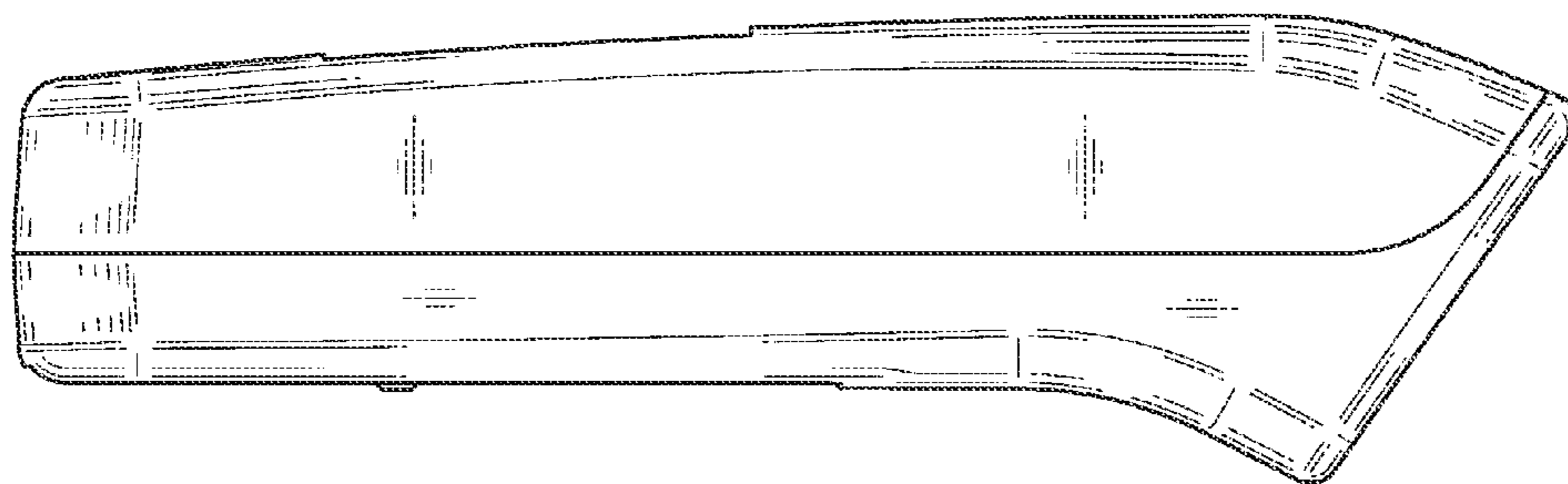


FIG. 4

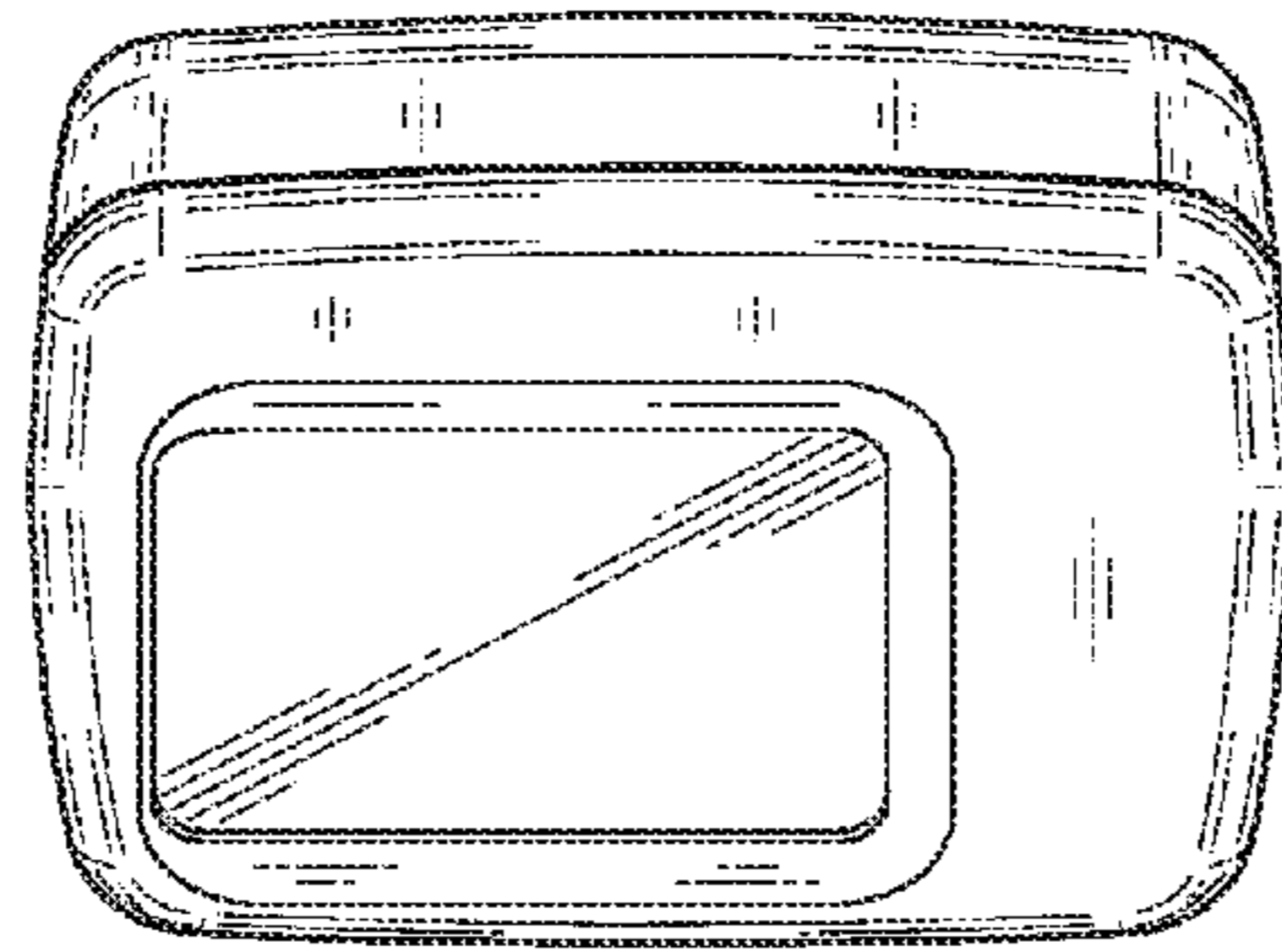


FIG. 5

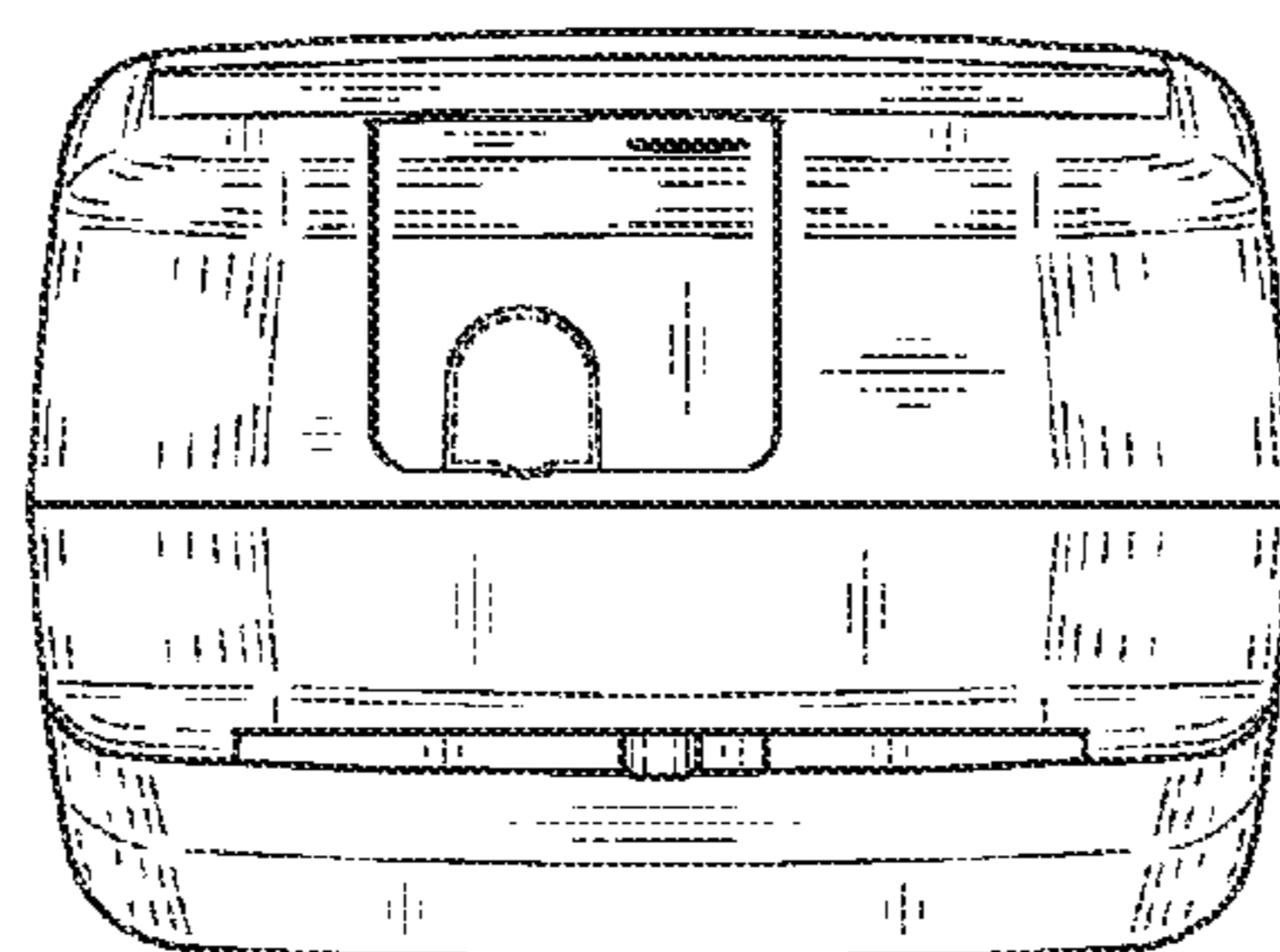


FIG. 6

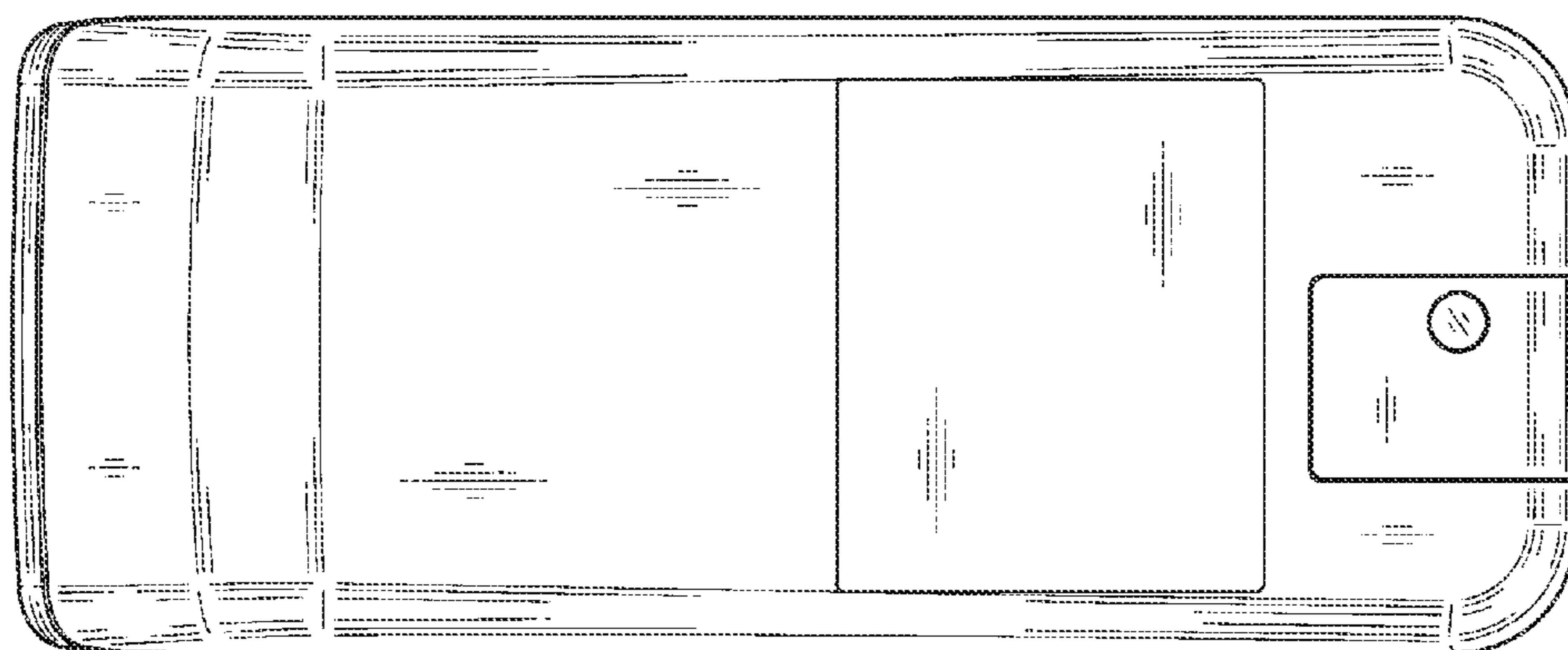


FIG. 7

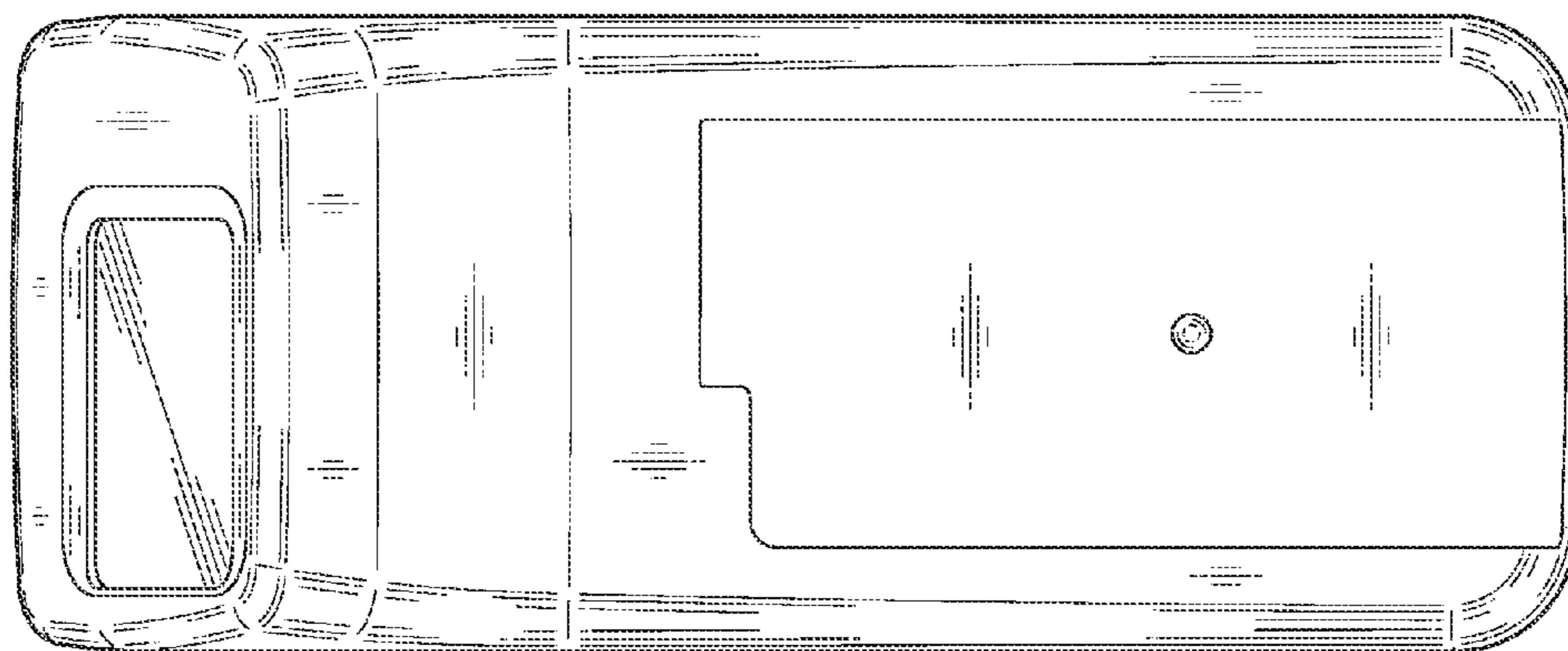


FIG. 8