



US00D676076S

(12) **United States Design Patent**
Akita et al.

(10) **Patent No.:** **US D676,076 S**
(45) **Date of Patent:** **** Feb. 12, 2013**

(54) **CAMERA**

(75) Inventors: **Miho Akita**, Tokyo (JP); **Kaoru Sumita**, Tokyo (JP)

(73) Assignee: **Sony Corporation**, Tokyo (JP)

(**) Term: **14 Years**

(21) Appl. No.: **29/371,044**

(22) Filed: **Sep. 30, 2010**

(30) **Foreign Application Priority Data**

Mar. 31, 2010	(CN)	2010 3 0145398
Mar. 31, 2010	(JP)	D2010-008062
Mar. 31, 2010	(JP)	D2010-008063
Mar. 31, 2010	(JP)	D2010-008064
Mar. 31, 2010	(JP)	D2010-008065
Mar. 31, 2010	(JP)	D2010-008066
Mar. 31, 2010	(JP)	D2010-008067

(51) **LOC (9) Cl.** **16-05**

(52) **U.S. Cl.** **D16/219**

(58) **Field of Classification Search** D16/200,
D16/202, 204, 208, 212, 218, 219; 348/373,
348/374, 375, 376; 358/909.1; 396/349,
396/448, 535, 536, 537, 538, 539, 540, 541
See application file for complete search history.

(56) **References Cited**

U.S. PATENT DOCUMENTS

D339,599	S	*	9/1993	Tiffen	D16/219
D528,578	S		9/2006	Yasutomi		
D528,579	S	*	9/2006	Yasutomi	D16/202
D546,859	S		7/2007	Ishii		
D566,153	S	*	4/2008	Katsuraku	D16/218

D589,073	S	*	3/2009	Hibi	D16/218
7,507,041	B2	*	3/2009	Ueda et al.	396/423
D608,812	S	*	1/2010	Tainaka	D16/212
D635,607	S	*	4/2011	Takagi	D16/219
D636,008	S	*	4/2011	Yasutomi	D16/219
D644,679	S	*	9/2011	Woodman	D16/219
D648,363	S	*	11/2011	Takagi et al.	D16/219
D652,853	S	*	1/2012	Tsukamoto	D16/202
D654,943	S	*	2/2012	Ogasawara et al.	D16/219

* cited by examiner

Primary Examiner — Cynthia Underwood

(74) *Attorney, Agent, or Firm* — Rader, Fishman & Grauer, PLLC

(57) **CLAIM**

The ornamental design for a camera, as shown and described.

DESCRIPTION

FIG. 1 is a perspective view of a first embodiment of a camera showing my new design;
FIG. 2 is a front elevational view thereof;
FIG. 3 is a left side elevational view thereof.
FIG. 4 is a right side elevational view thereof;
FIG. 5 is a top plan view thereof; and
FIG. 6 is a bottom plan view thereof.
FIG. 7 is a perspective view of a second embodiment of a camera showing my new design;
FIG. 8 is a front elevational view thereof;
FIG. 9 is a left side elevational view thereof.
FIG. 10 is a right side elevational view thereof;
FIG. 11 is a top plan view thereof; and,
FIG. 12 is a bottom plan view thereof.
Portions in broken lines are for illustrative purposes only and form no part of claimed design.

1 Claim, 8 Drawing Sheets

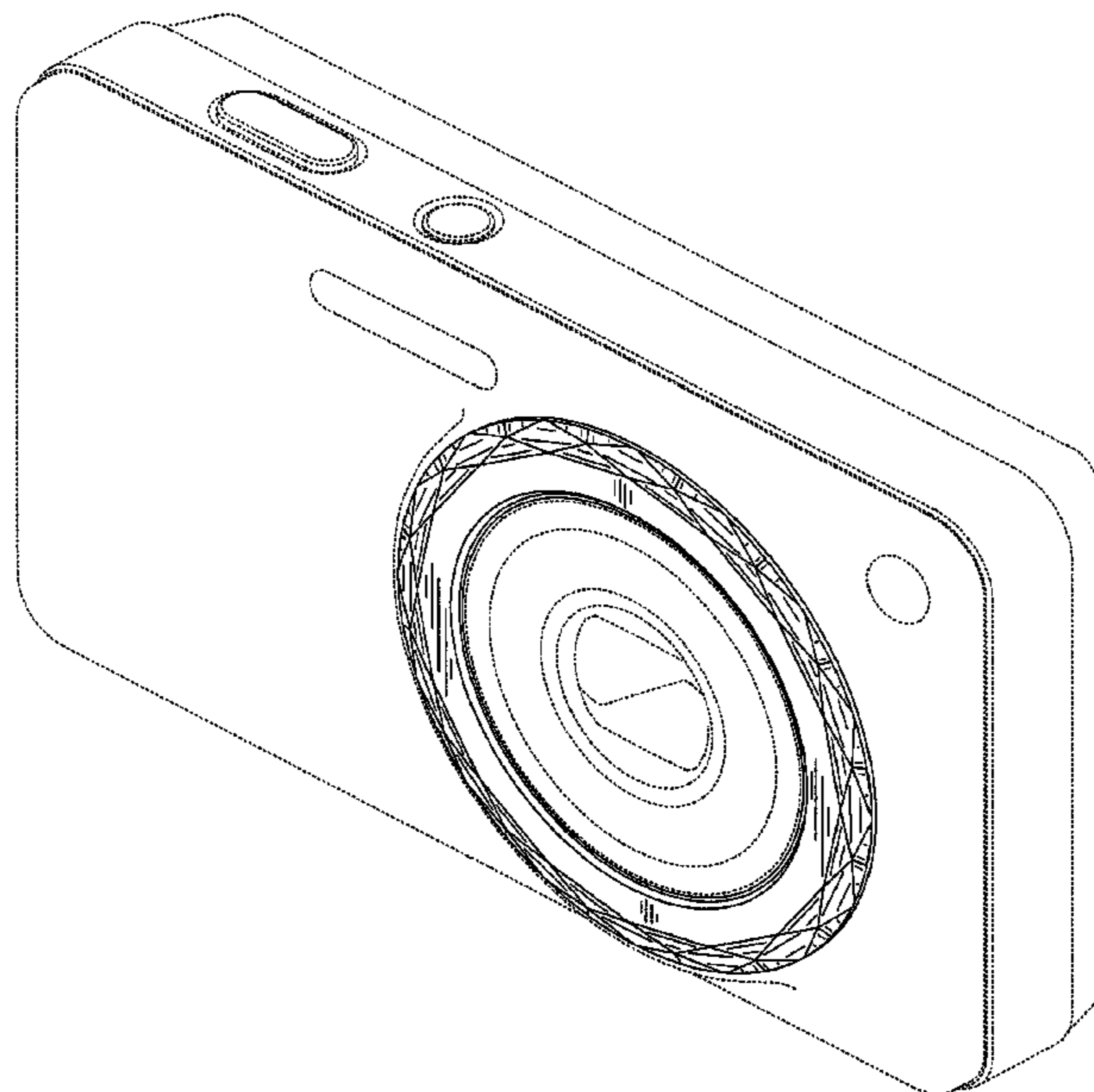


FIG.1

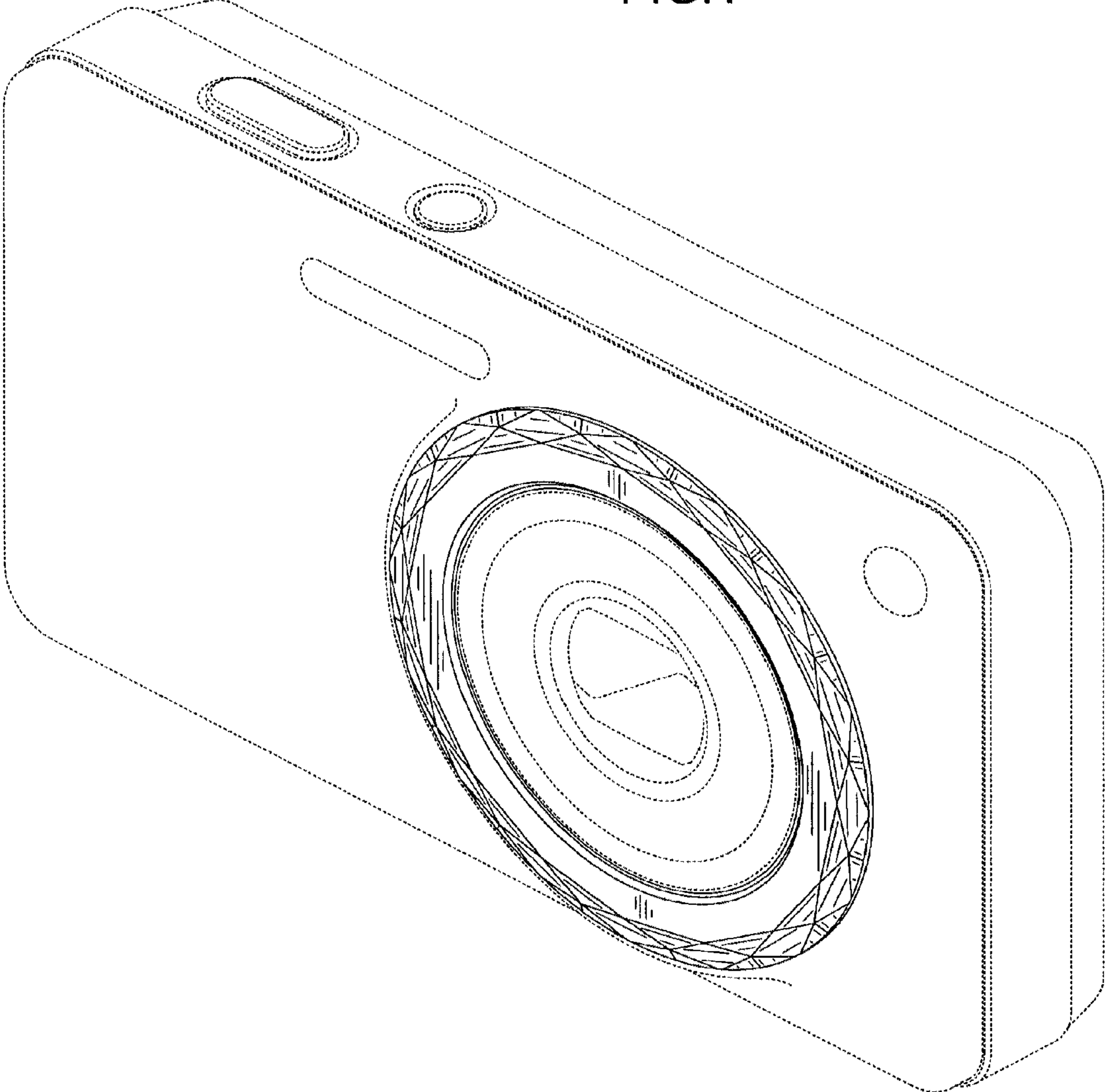


FIG.2

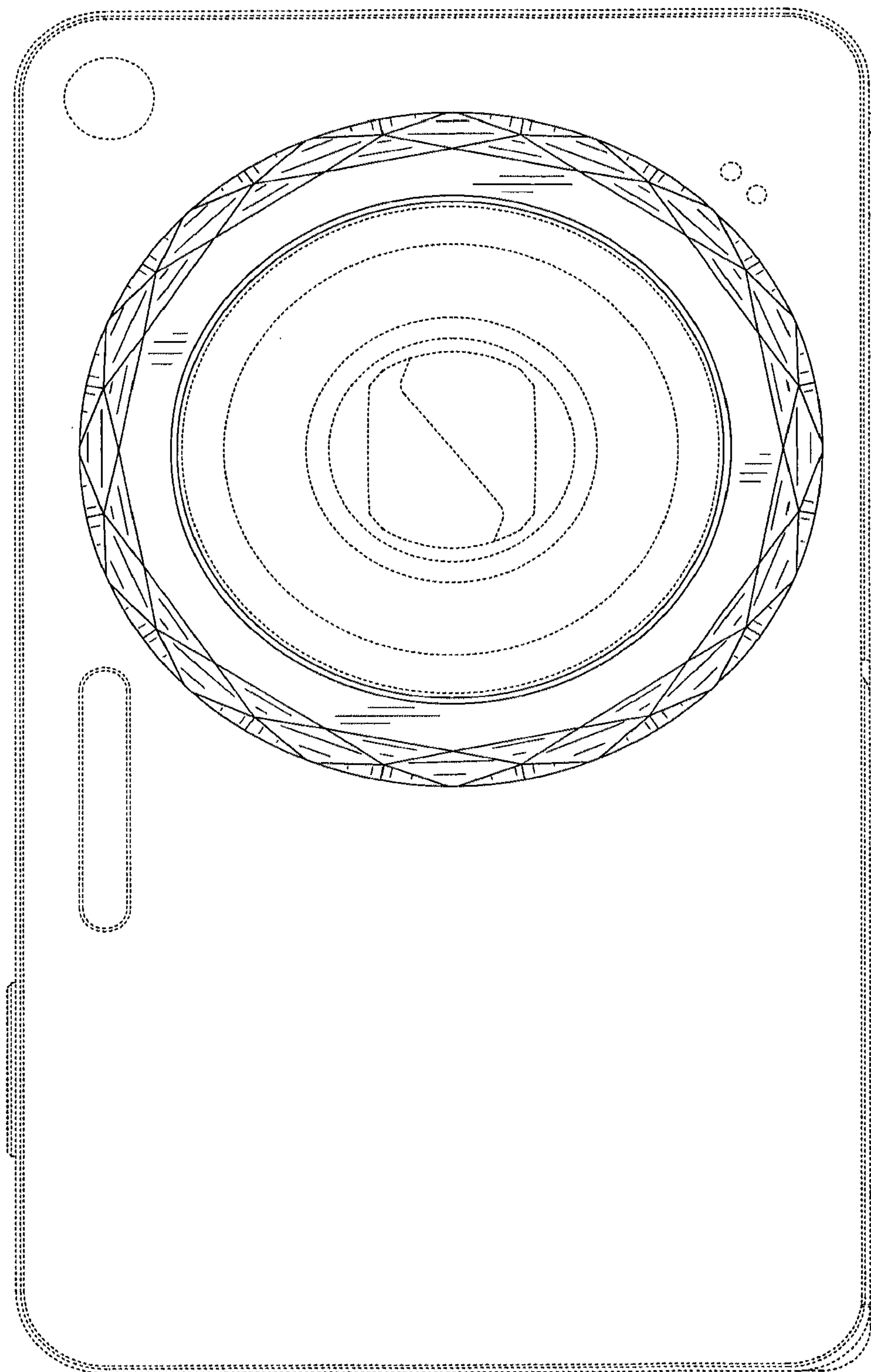


FIG.4

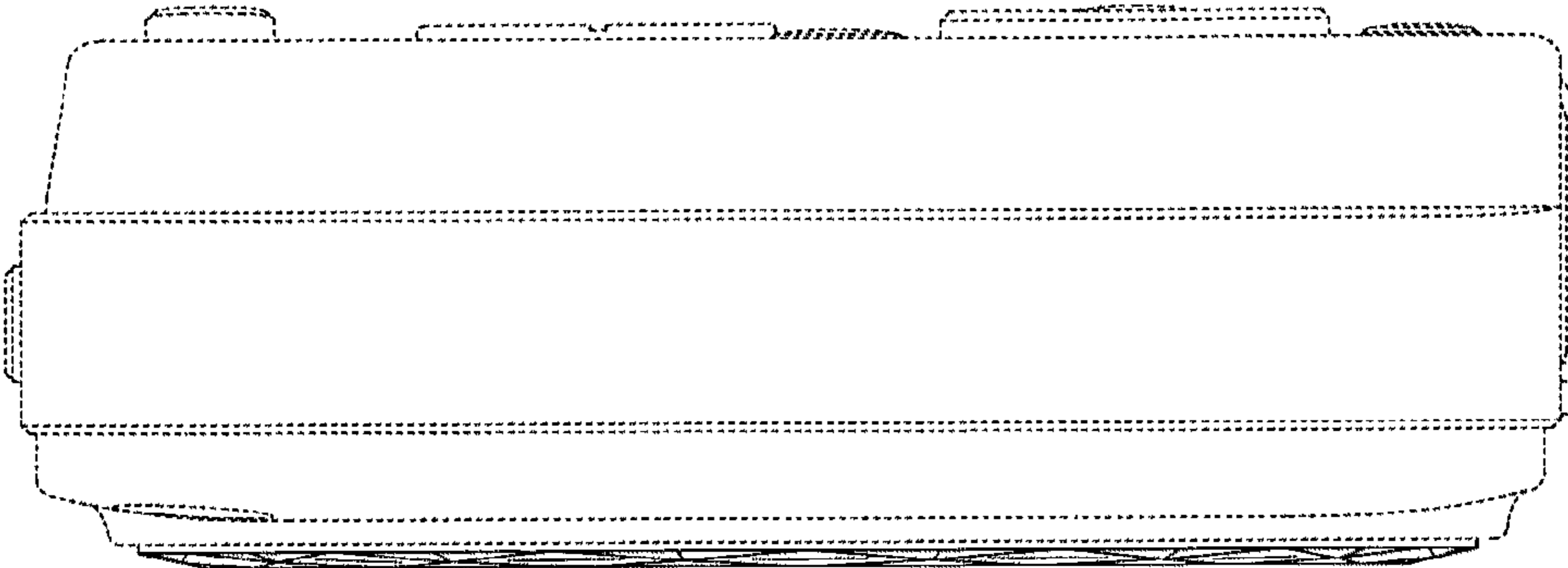


FIG.3

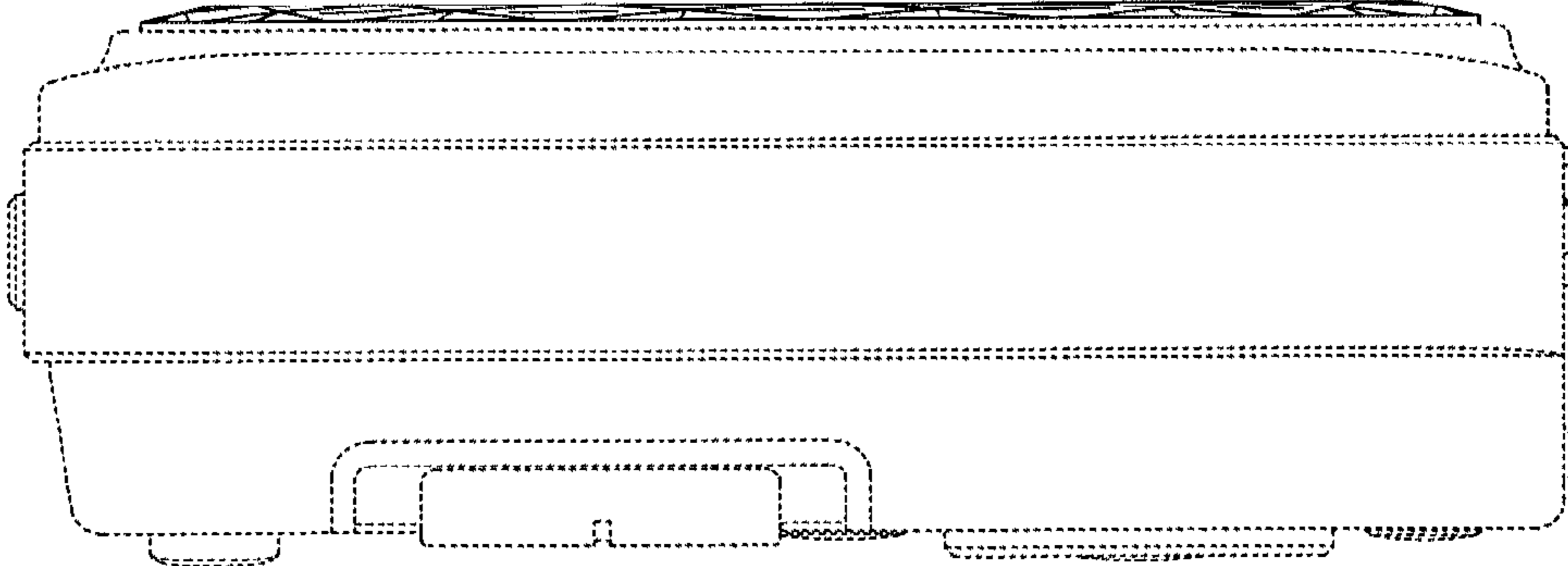


FIG.5

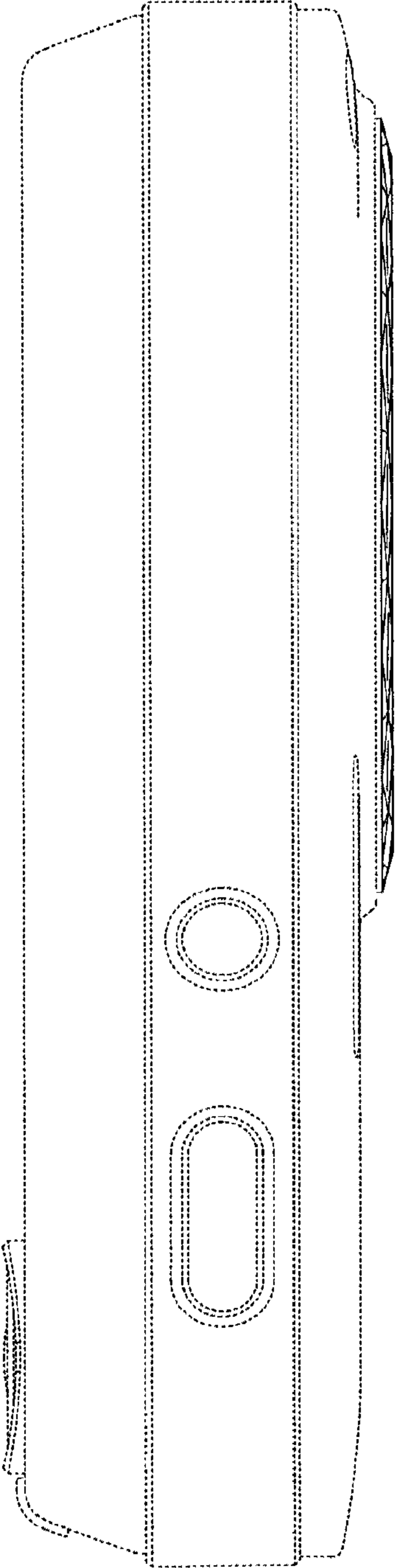
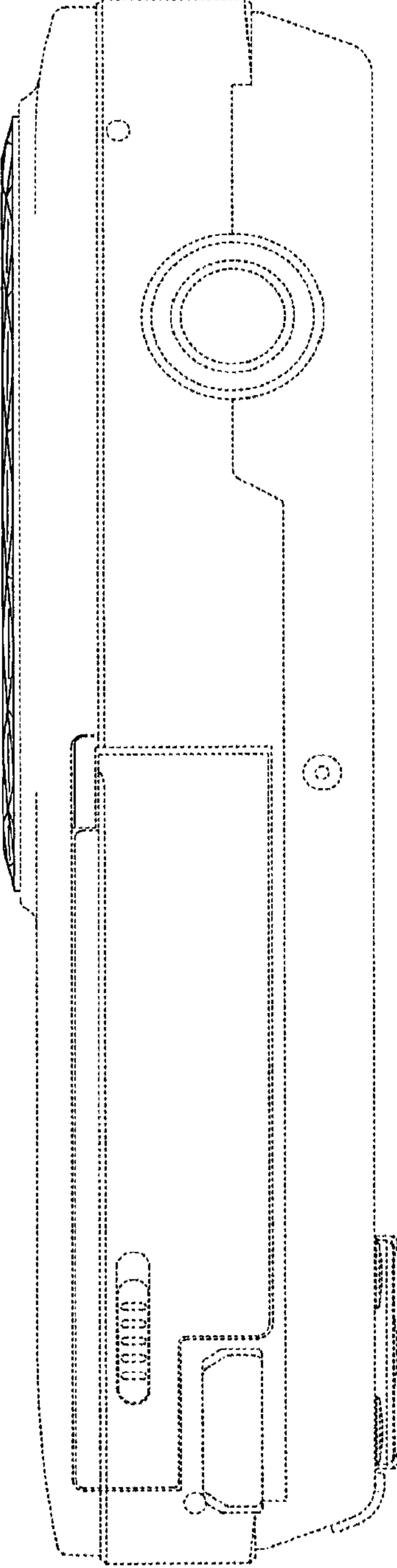


FIG.6



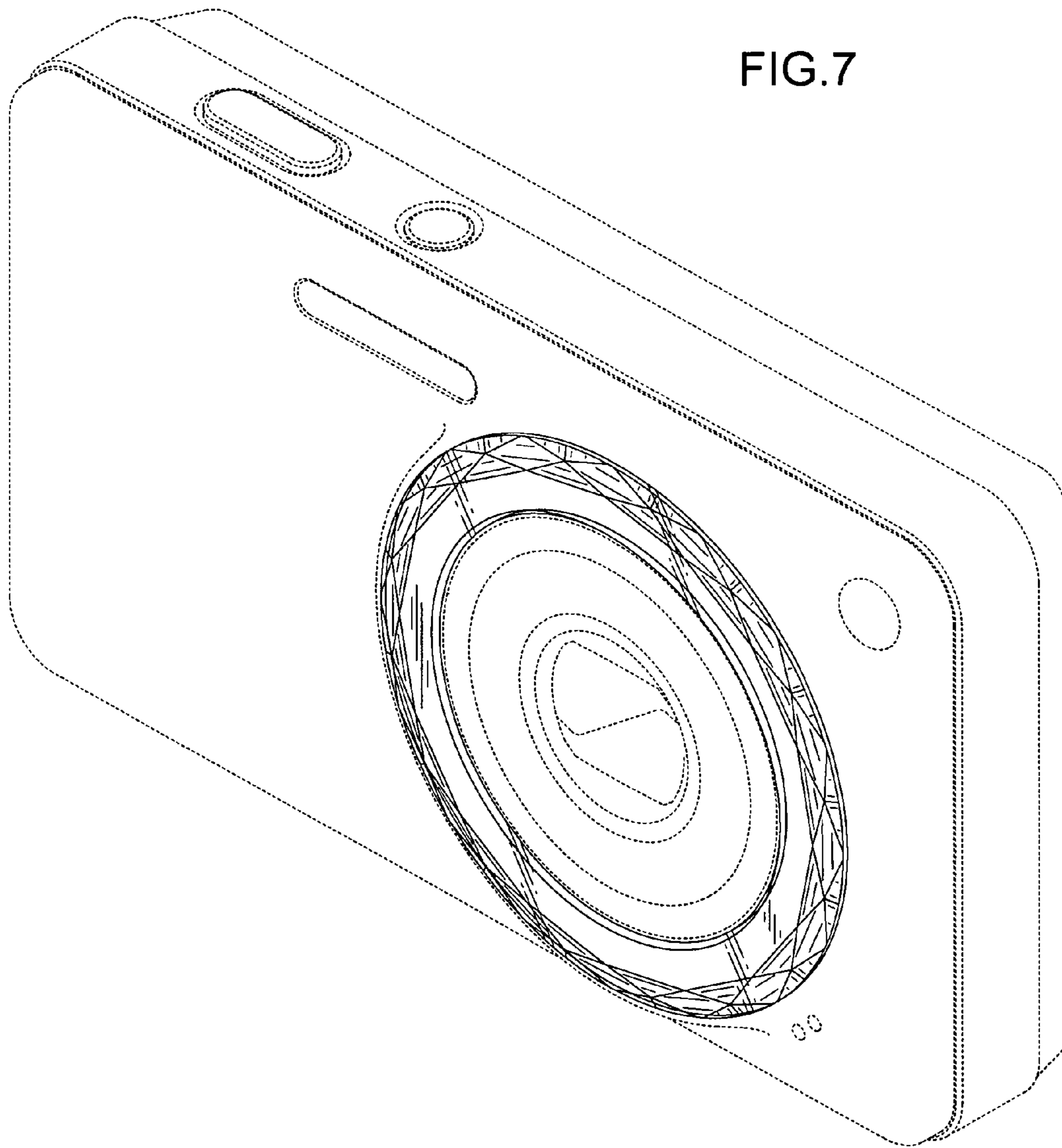


FIG. 7

30

FIG.8

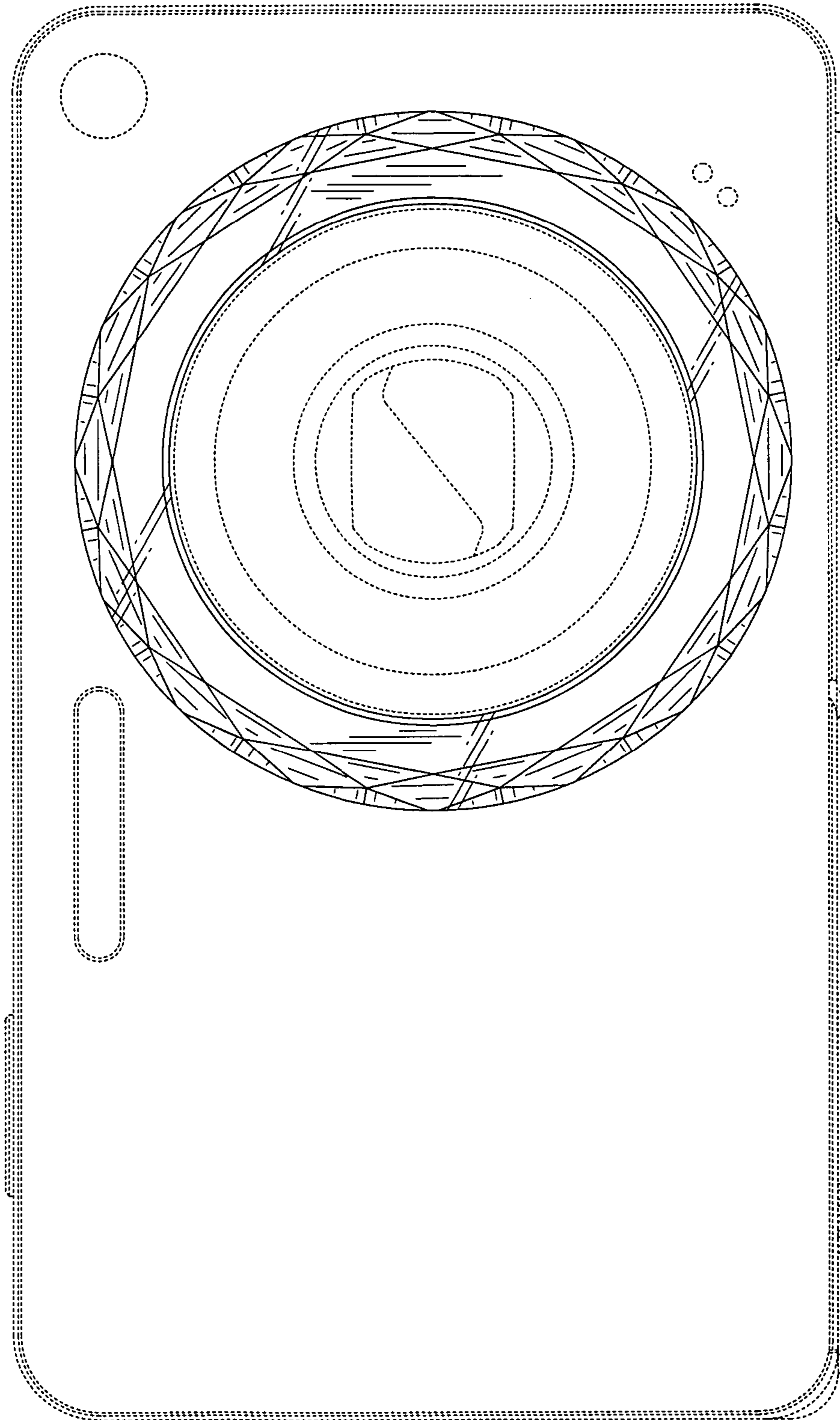


FIG.9

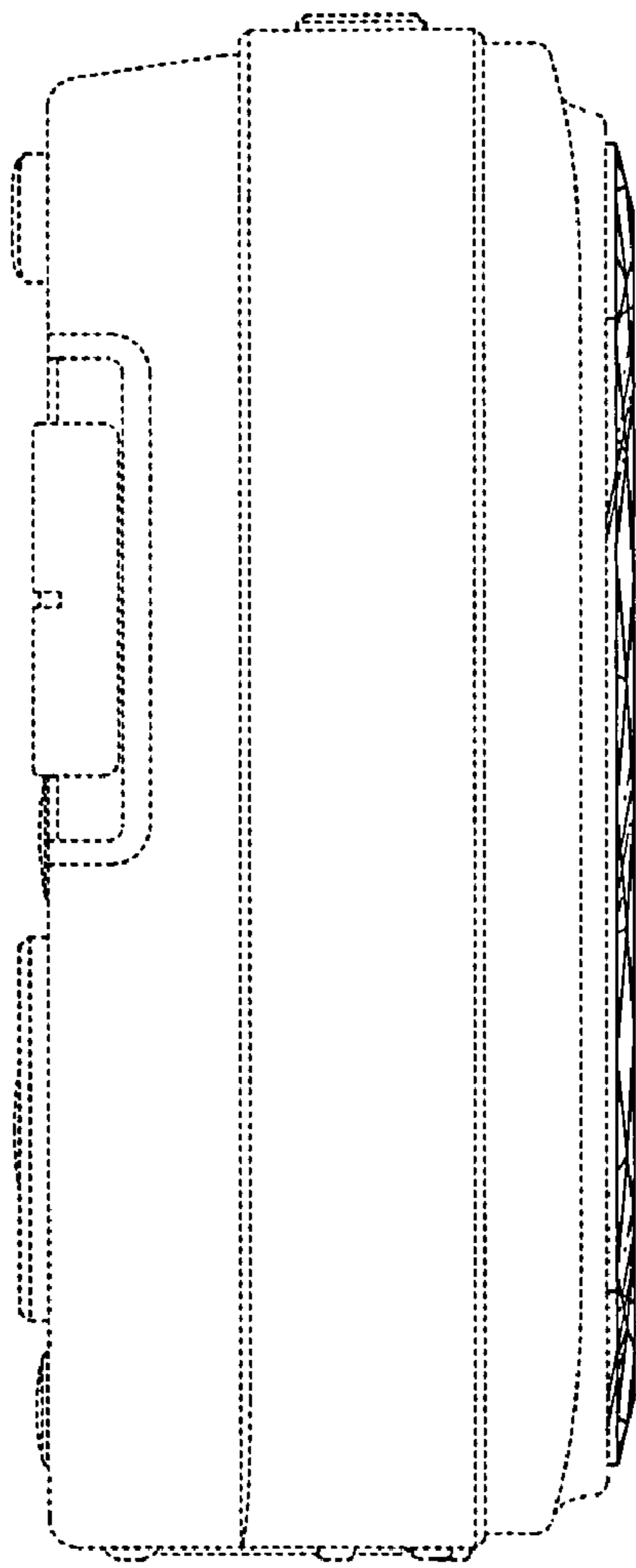


FIG.10

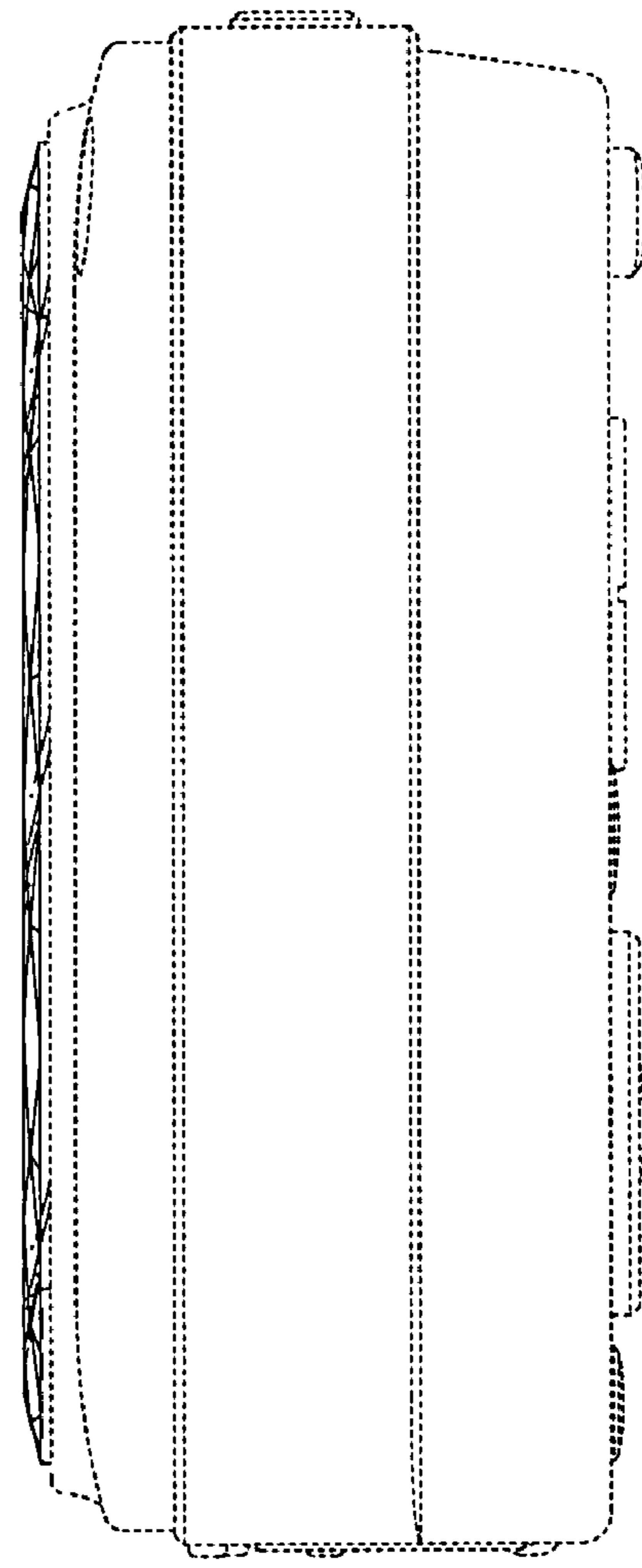


FIG.11

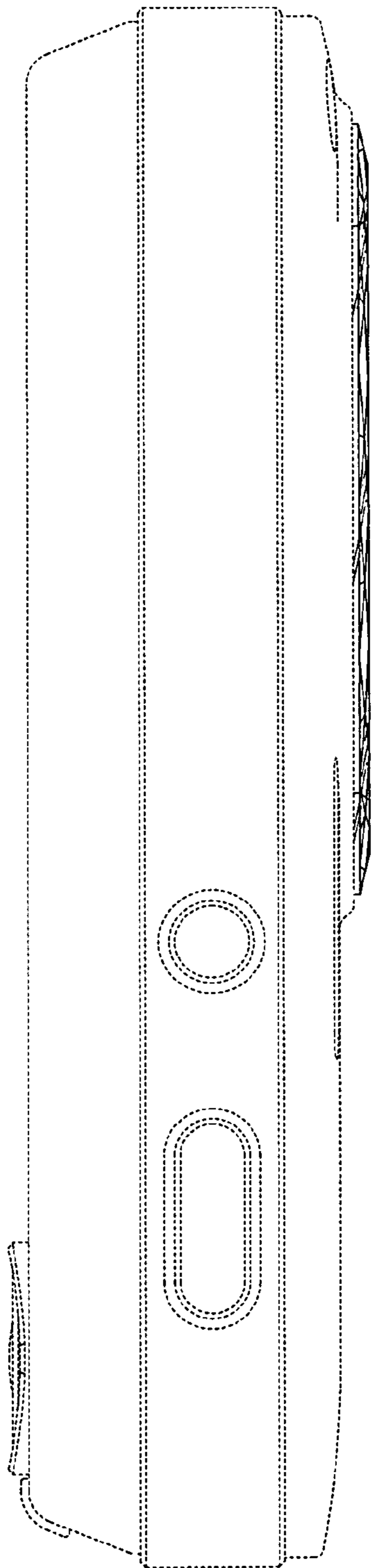


FIG.12

