



US00D676075S

(12) **United States Design Patent**  
**Ku**

(10) **Patent No.:** **US D676,075 S**  
(45) **Date of Patent:** **\*\* Feb. 12, 2013**

(54) **VEHICLE VIDEO RECORDER WITH DISPLAY**

(75) Inventor: **Wen-Hua Ku**, Taipei (TW)  
(73) Assignee: **Dod Tech Co., Ltd.**, Taipei (TW)  
(\*\*) Term: **14 Years**

(21) Appl. No.: **29/398,218**  
(22) Filed: **Jul. 28, 2011**

(51) **LOC (9) Cl.** ..... **16-01**  
(52) **U.S. Cl.** ..... **D16/208; D14/167; D16/202**  
(58) **Field of Classification Search** ..... **D14/167;**  
**D16/200, 202, 203, 208, 218; 348/148, 373-376;**  
**396/535-541**

See application file for complete search history.

(56) **References Cited**

**U.S. PATENT DOCUMENTS**

D428,430 S *	7/2000	Ohi et al.	.....	D16/218
D440,587 S *	4/2001	Morooka	.....	D16/202
D449,629 S *	10/2001	Ogura	.....	D16/202
D474,792 S *	5/2003	Hyun	.....	D16/202

D523,457 S *	6/2006	Tan	.....	D16/202
D616,901 S *	6/2010	Ward et al.	.....	D16/208
D619,155 S *	7/2010	Kim et al.	.....	D16/202
D665,769 S *	8/2012	Hayashi	.....	D14/167

\* cited by examiner

*Primary Examiner* — Adir Aronovich

(74) *Attorney, Agent, or Firm* — Leong C. Lei

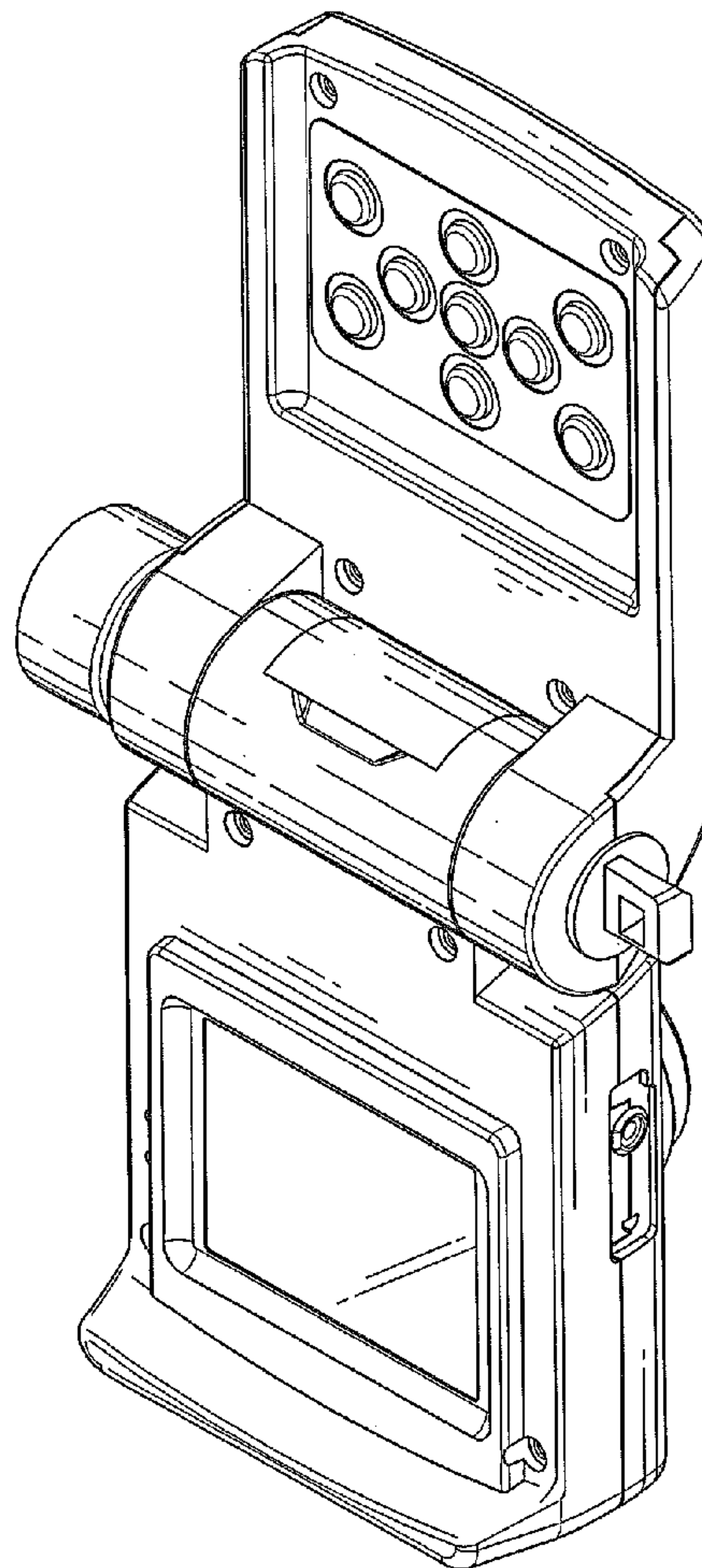
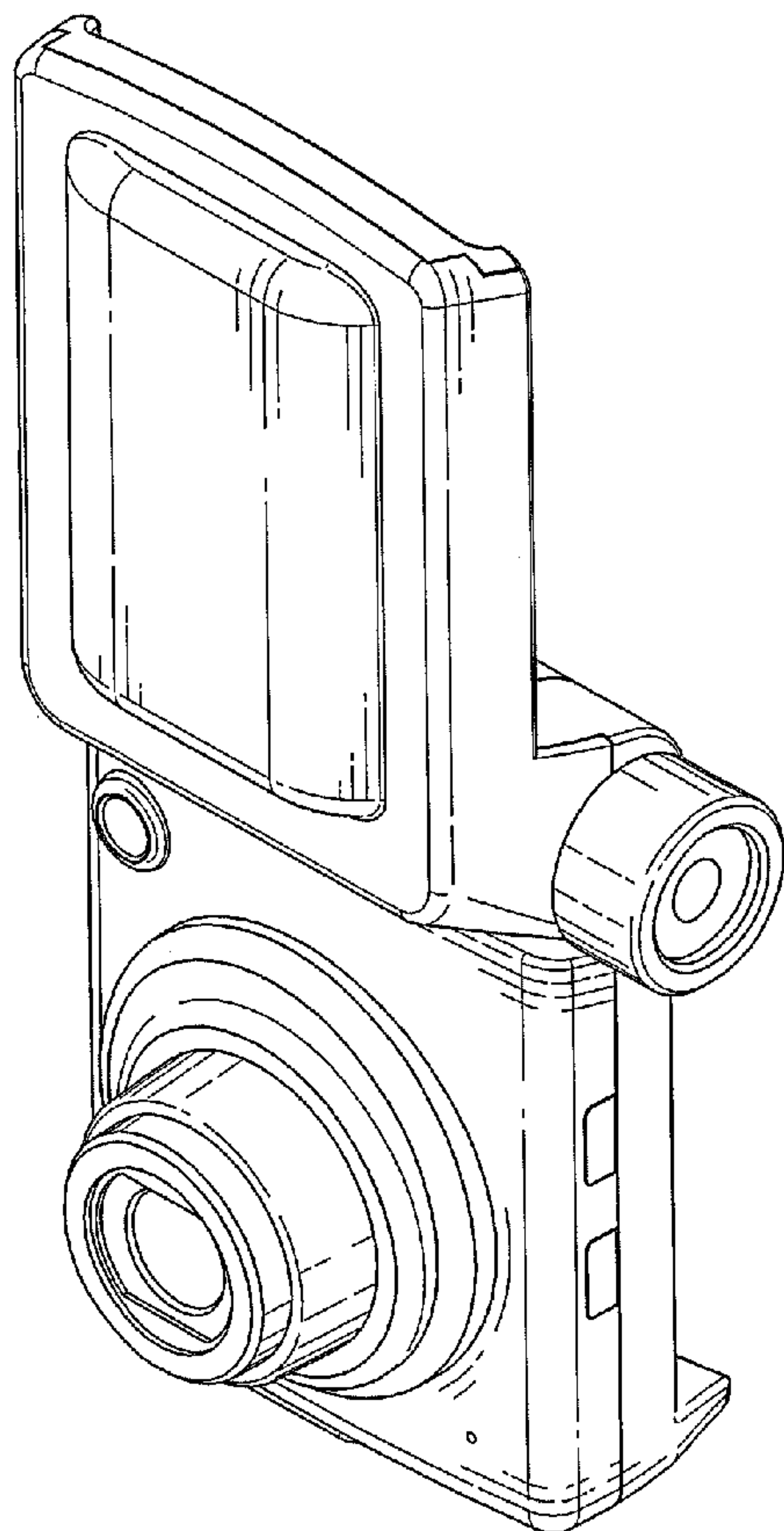
(57) **CLAIM**

The ornamental design for a vehicle video recorder with display, as shown and described.

**DESCRIPTION**

FIG. 1 is a rear perspective view of a vehicle video recorder with display showing my new design; FIG. 2 is a front perspective view thereof; FIG. 3 is a rear elevational view thereof; FIG. 4 is a front elevational view thereof; FIG. 5 is a right elevational view thereof; FIG. 6 is a left elevational view thereof; FIG. 7 is a top plan view thereof; and, FIG. 8 is a bottom plan view thereof.

**1 Claim, 7 Drawing Sheets**



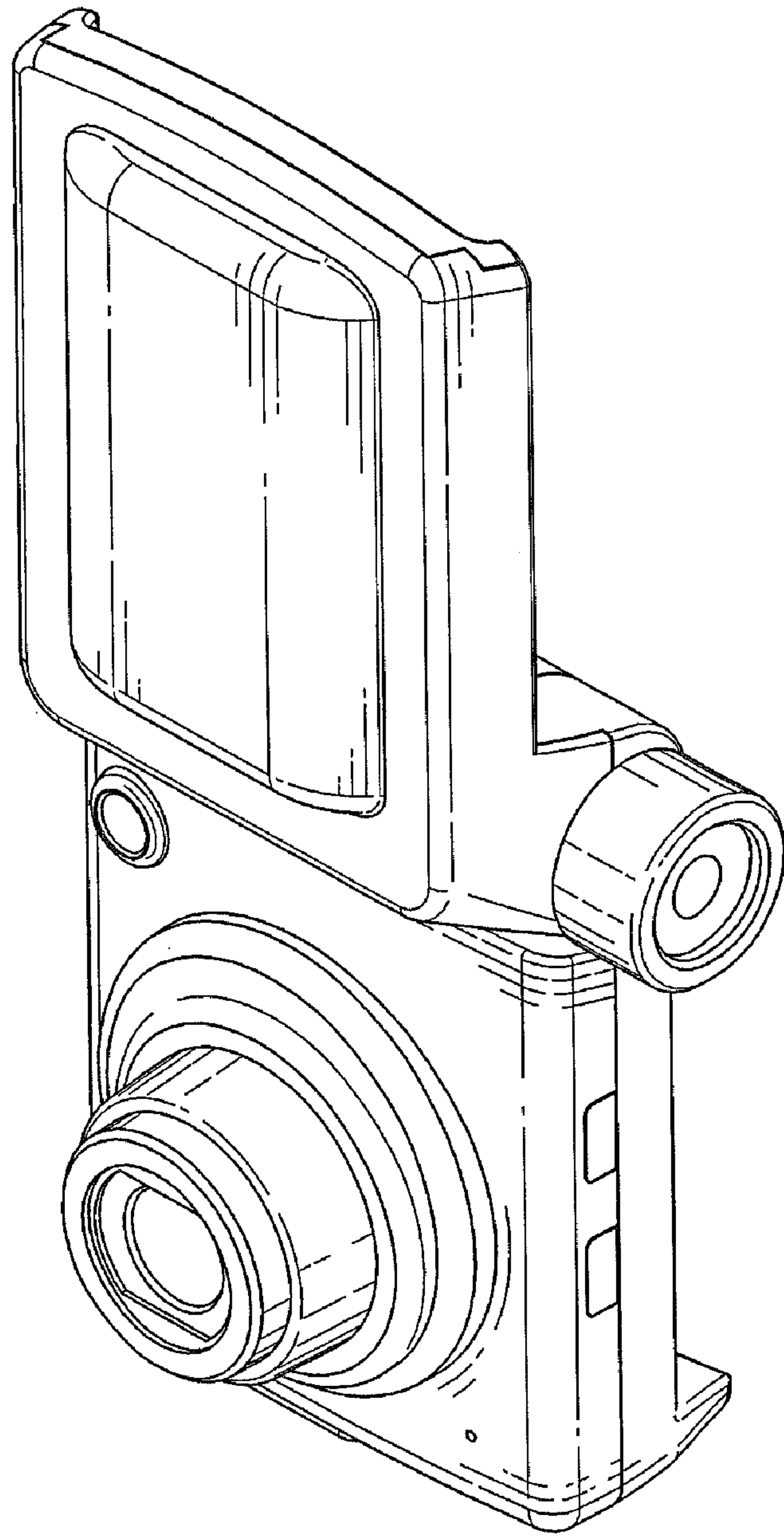


FIG. 1

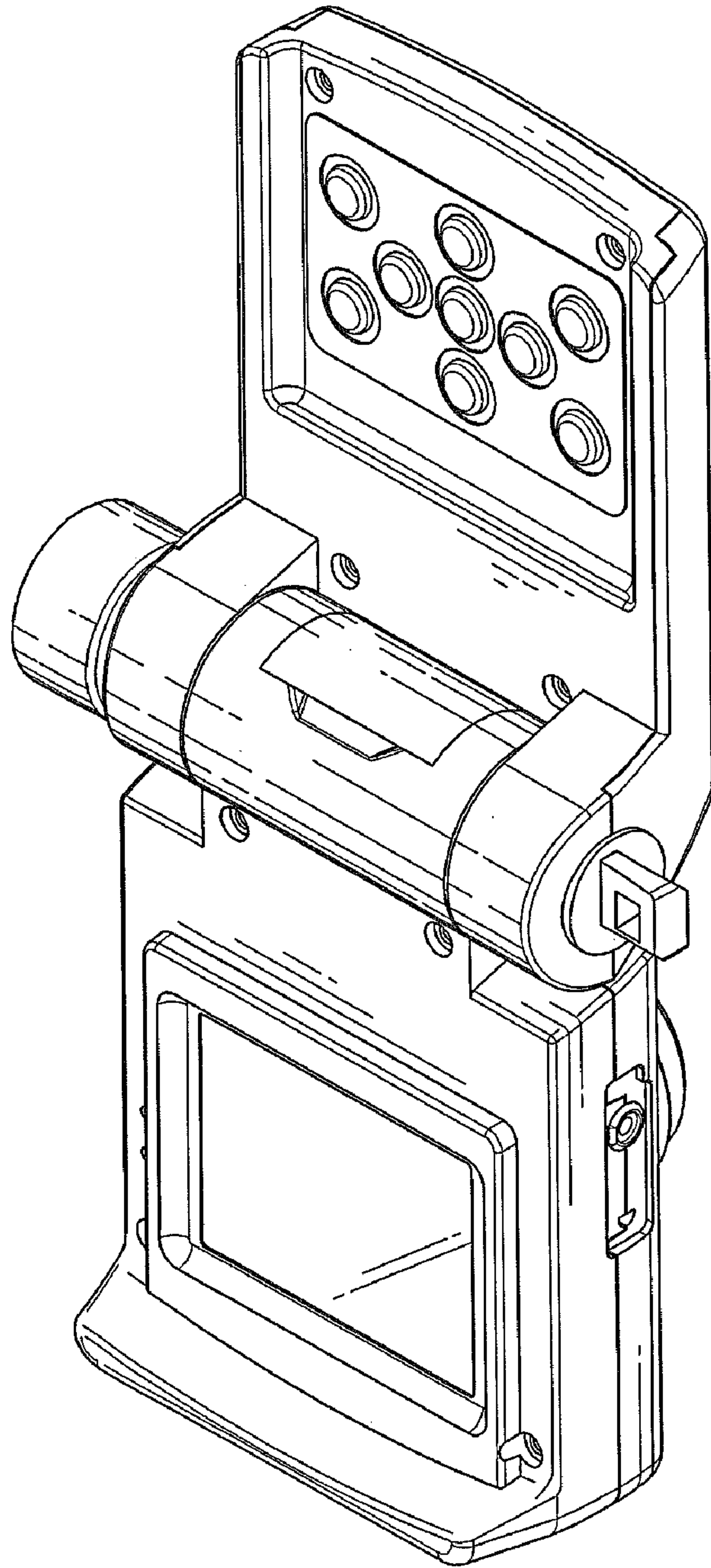


FIG. 2



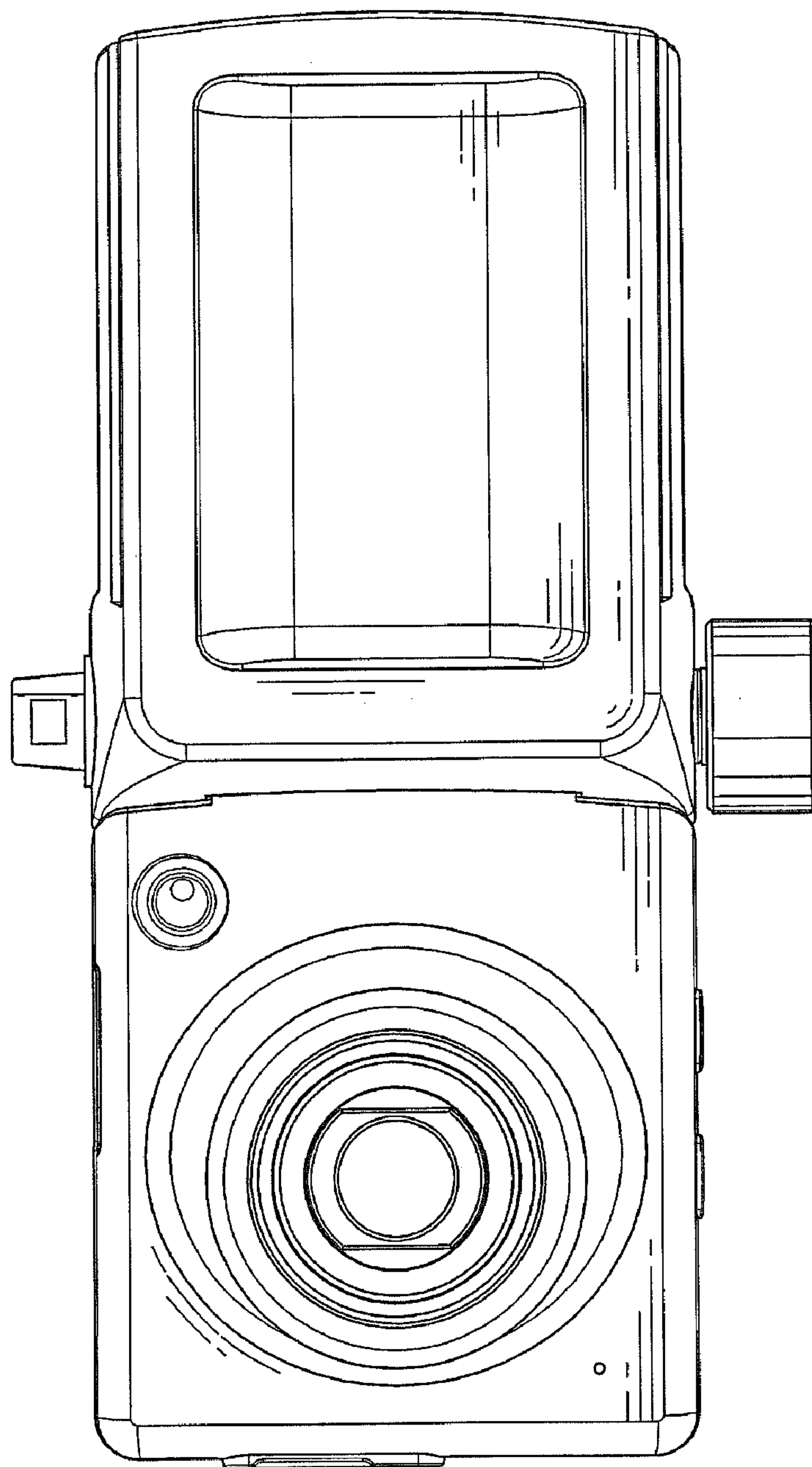


FIG. 3

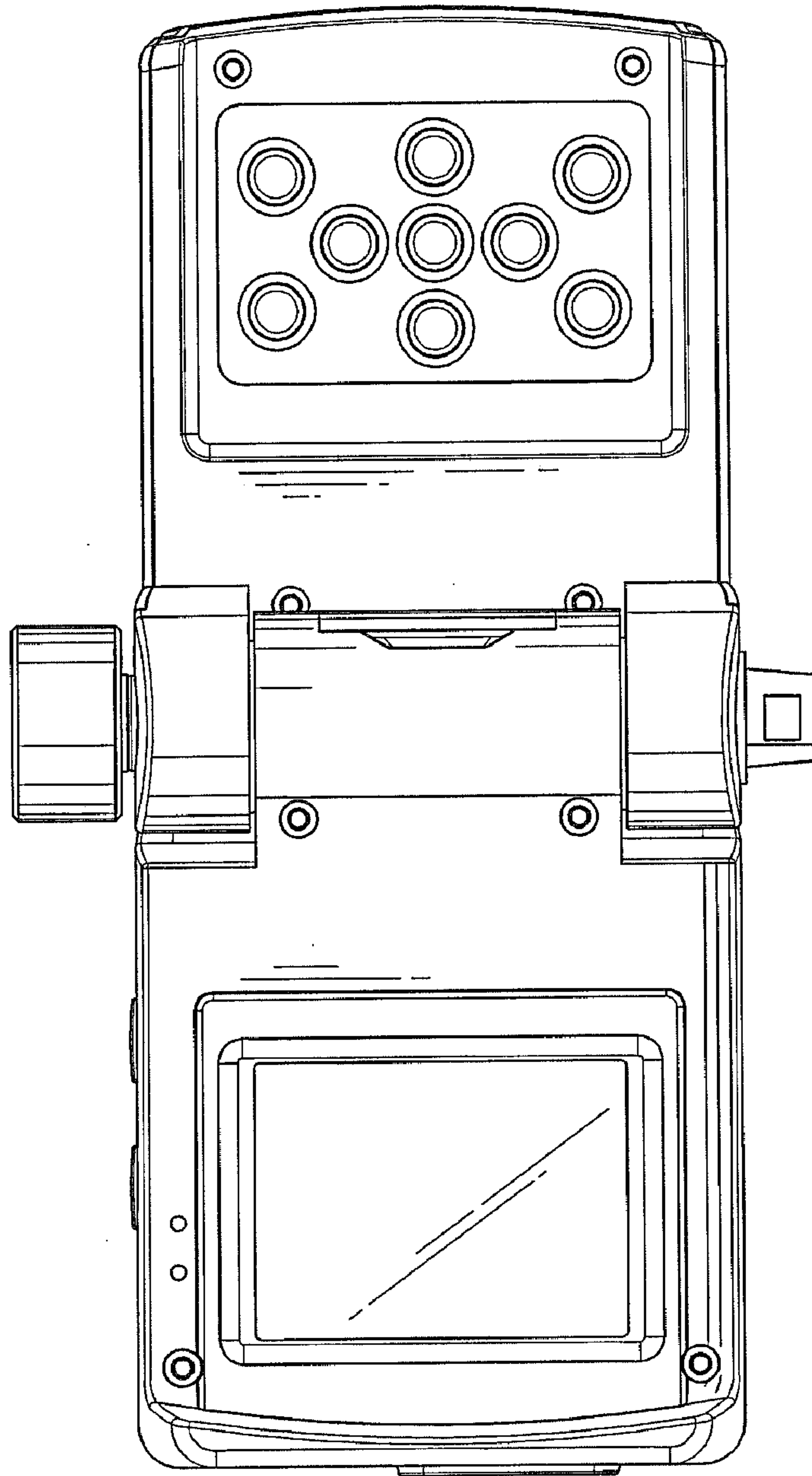


FIG. 4

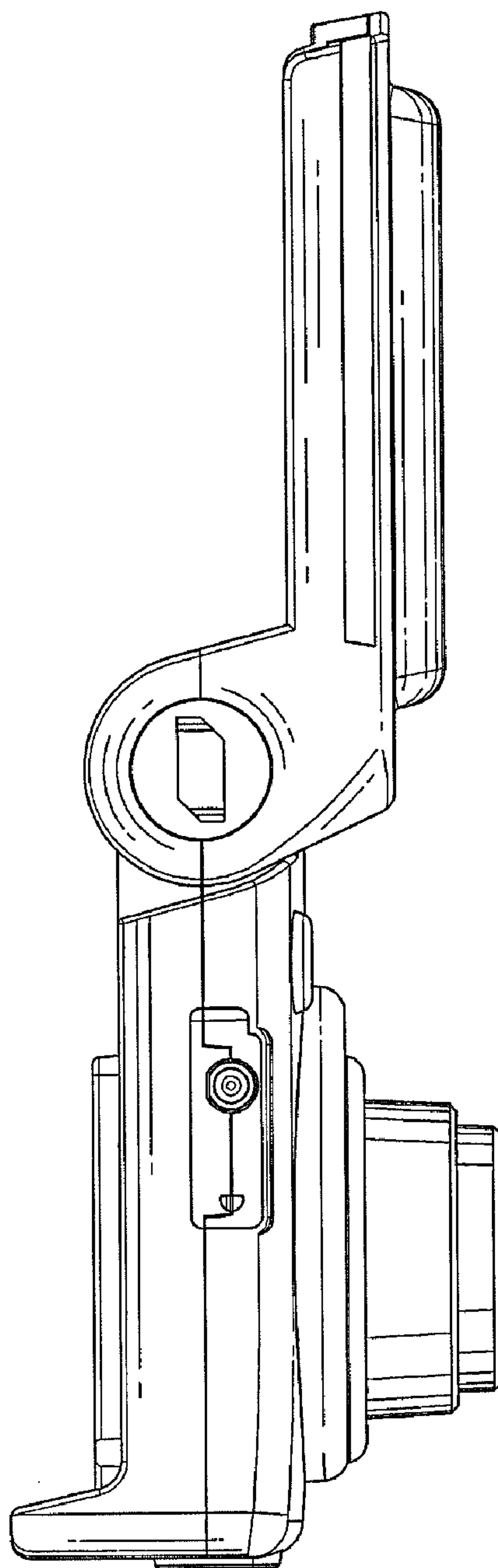


FIG. 5

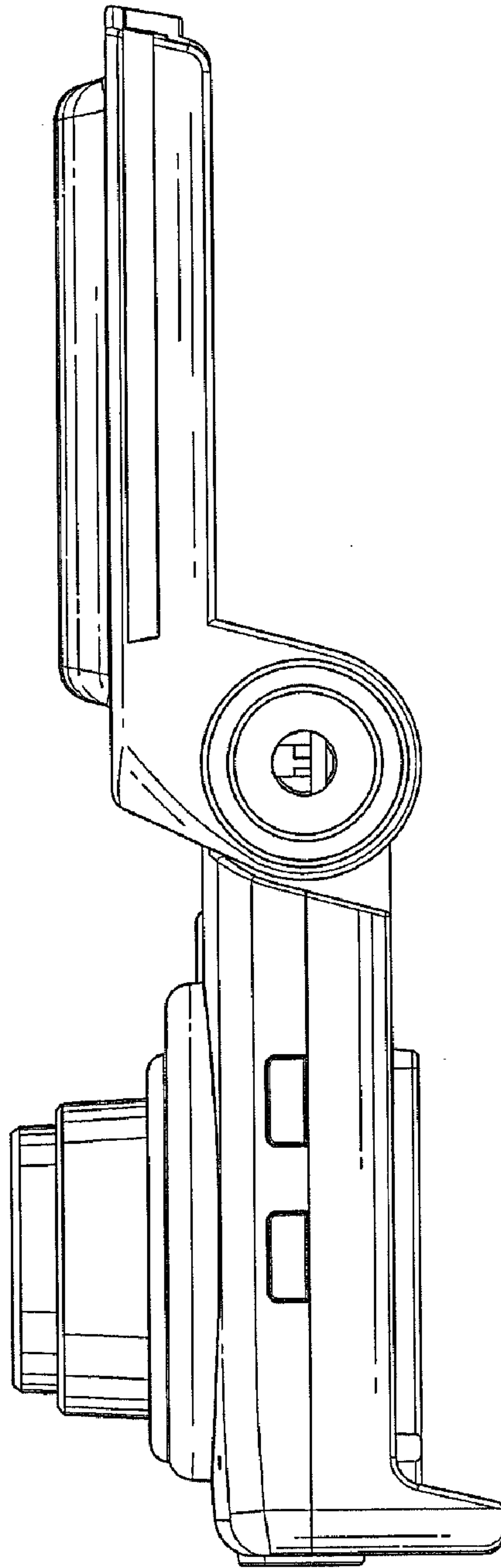


FIG. 6

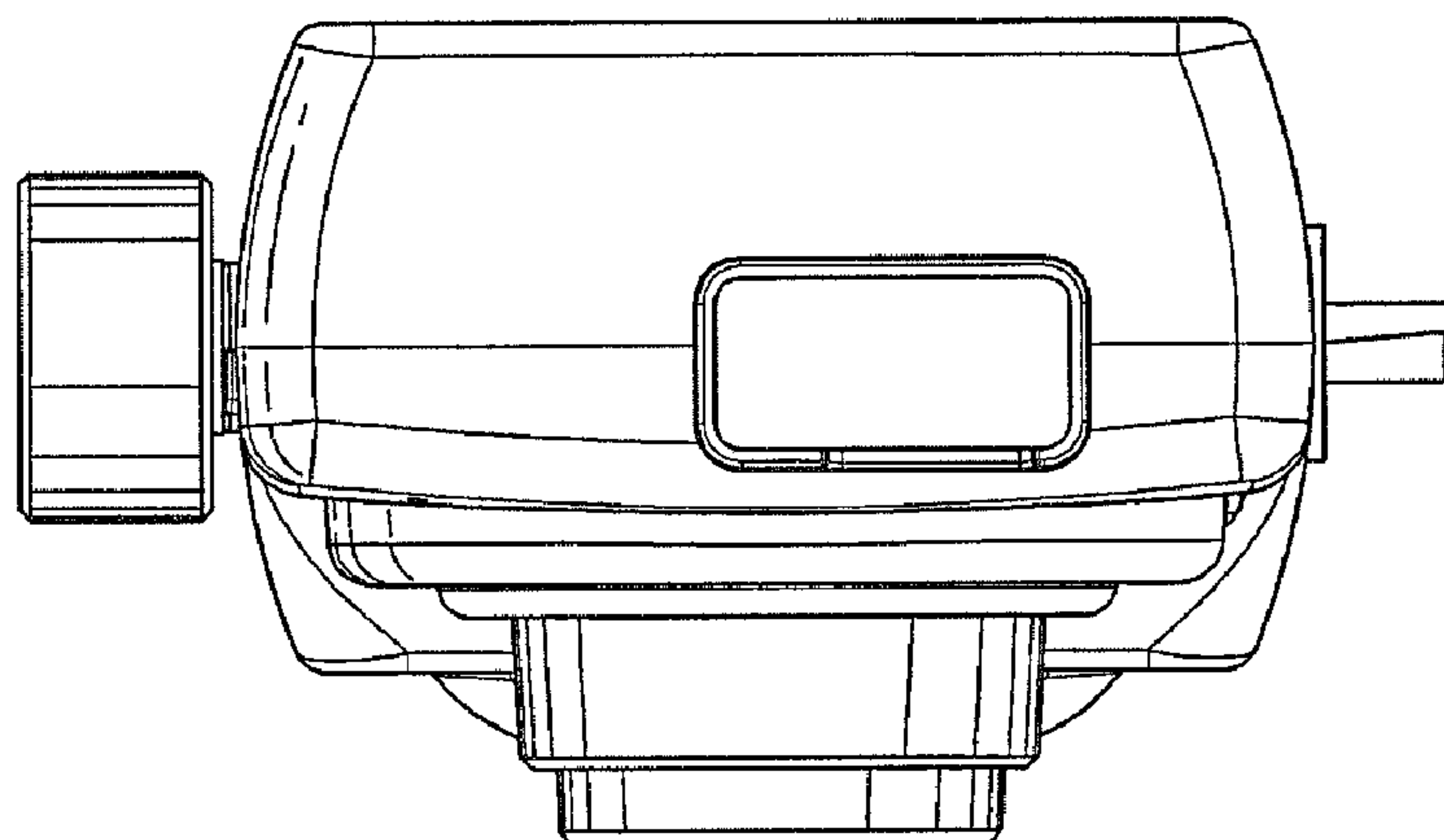


FIG. 7

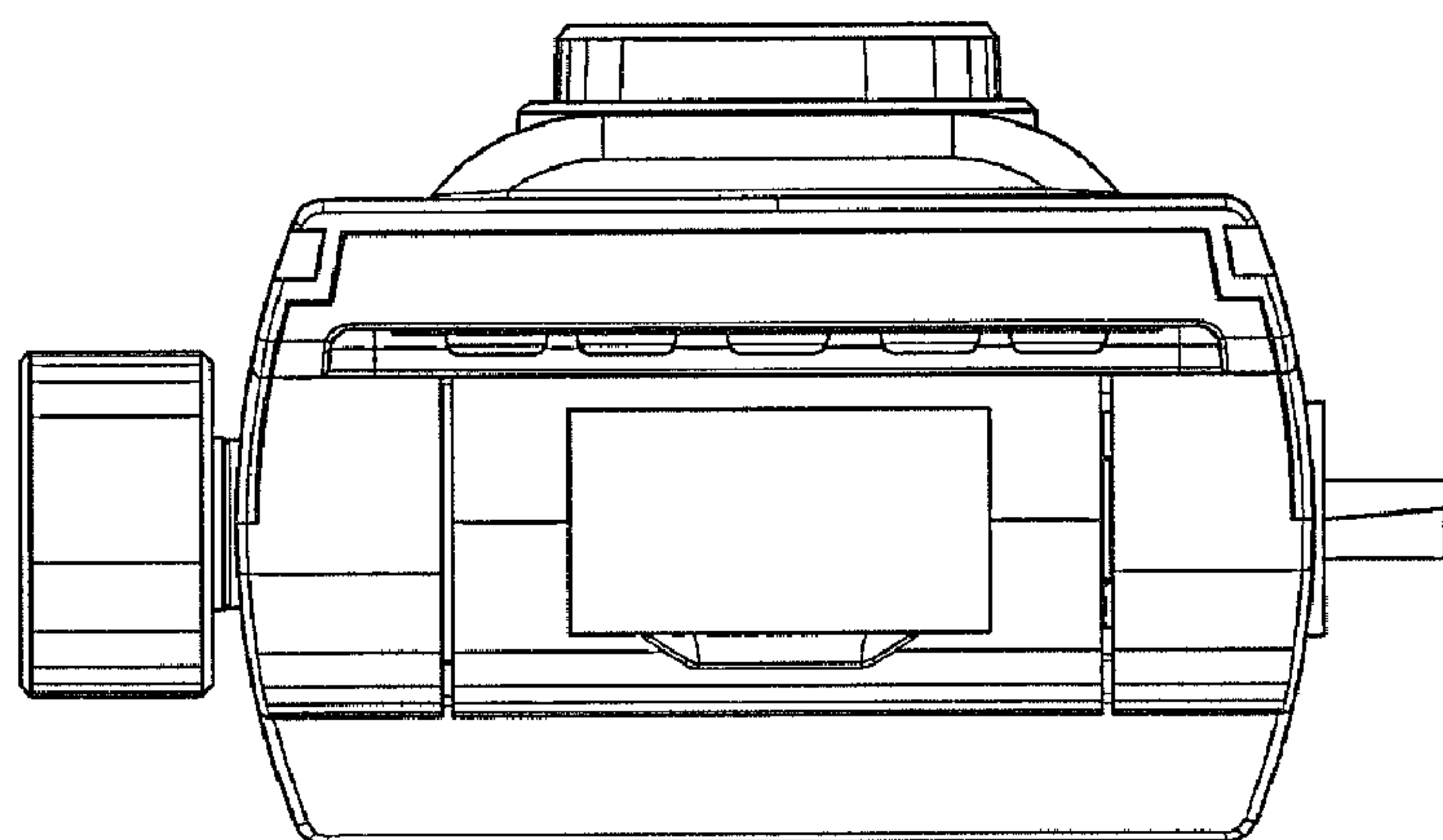


FIG. 8