



US00D676071S

(12) **United States Design Patent**
Cox et al.

(10) **Patent No.:** **US D676,071 S**

(45) **Date of Patent:** **** *Feb. 12, 2013**

(54) **CUTTING TOOL**

(75) Inventors: **William W. Cox**, Louisville, KY (US);
George Sotsky, Louisville, KY (US)

(73) Assignee: **Republic Machine, Inc.**, Louisville, KY
(US)

(*) Notice: This patent is subject to a terminal disclaimer.

(**) Term: **14 Years**

(21) Appl. No.: **29/411,802**

(22) Filed: **Jan. 26, 2012**

D367,866 S	3/1996	Pantzar et al.	
D369,362 S	4/1996	Pantzar et al.	
5,544,984 A	8/1996	Pantzar	
5,653,274 A	8/1997	Johnson et al.	
5,653,275 A *	8/1997	Stewart	144/373
D409,633 S	5/1999	Bernadic et al.	
6,035,844 A	3/2000	Otani et al.	
6,059,210 A *	5/2000	Smith	241/189.1
6,142,400 A *	11/2000	Balvanz et al.	241/191
6,158,928 A	12/2000	Hecht	
6,176,445 B1	1/2001	Shinn	
6,234,724 B1	5/2001	Satran et al.	
6,305,623 B1	10/2001	Sotsky et al.	
6,422,495 B1	7/2002	De Boef et al.	
6,523,768 B2	2/2003	Recker et al.	
6,640,853 B1	11/2003	Sun	
6,698,477 B1	3/2004	Bennington	

(Continued)

Related U.S. Application Data

(63) Continuation-in-part of application No. 29/394,063, filed on Jun. 13, 2011, now Pat. No. Des. 655,731, which is a continuation of application No. 13/111,468, filed on May 19, 2011, which is a continuation-in-part of application No. 12/488,166, filed on Jun. 19, 2009, now Pat. No. 7,959,099.

(51) **LOC (9) Cl.** **15-09**

(52) **U.S. Cl.** **D15/139**

(58) **Field of Classification Search** D8/70;
D15/138, 139, 140; 407/35, 42, 77, 107-120
See application file for complete search history.

(56) **References Cited**

U.S. PATENT DOCUMENTS

2,660,242 A	11/1953	Lane	
3,662,444 A	5/1972	Erkfritz	
3,694,876 A	10/1972	Erkfritz	
3,716,900 A	2/1973	Erkfritz	
3,818,561 A *	6/1974	Montana et al.	407/46
4,247,232 A	1/1981	McCreery et al.	
4,507,024 A	3/1985	Stashko	
4,785,860 A	11/1988	Arasmith	
5,192,171 A	3/1993	Ther et al.	
5,199,827 A	4/1993	Pantzar	
5,207,748 A	5/1993	Katbi et al.	
D340,464 S	10/1993	Markusson et al.	
5,454,671 A *	10/1995	Qvarth	407/42

FOREIGN PATENT DOCUMENTS

DE 4005647 A1 8/1990

Primary Examiner — Patricia Palasik

(74) *Attorney, Agent, or Firm* — Middleton Reutlinger;
James E. Cole

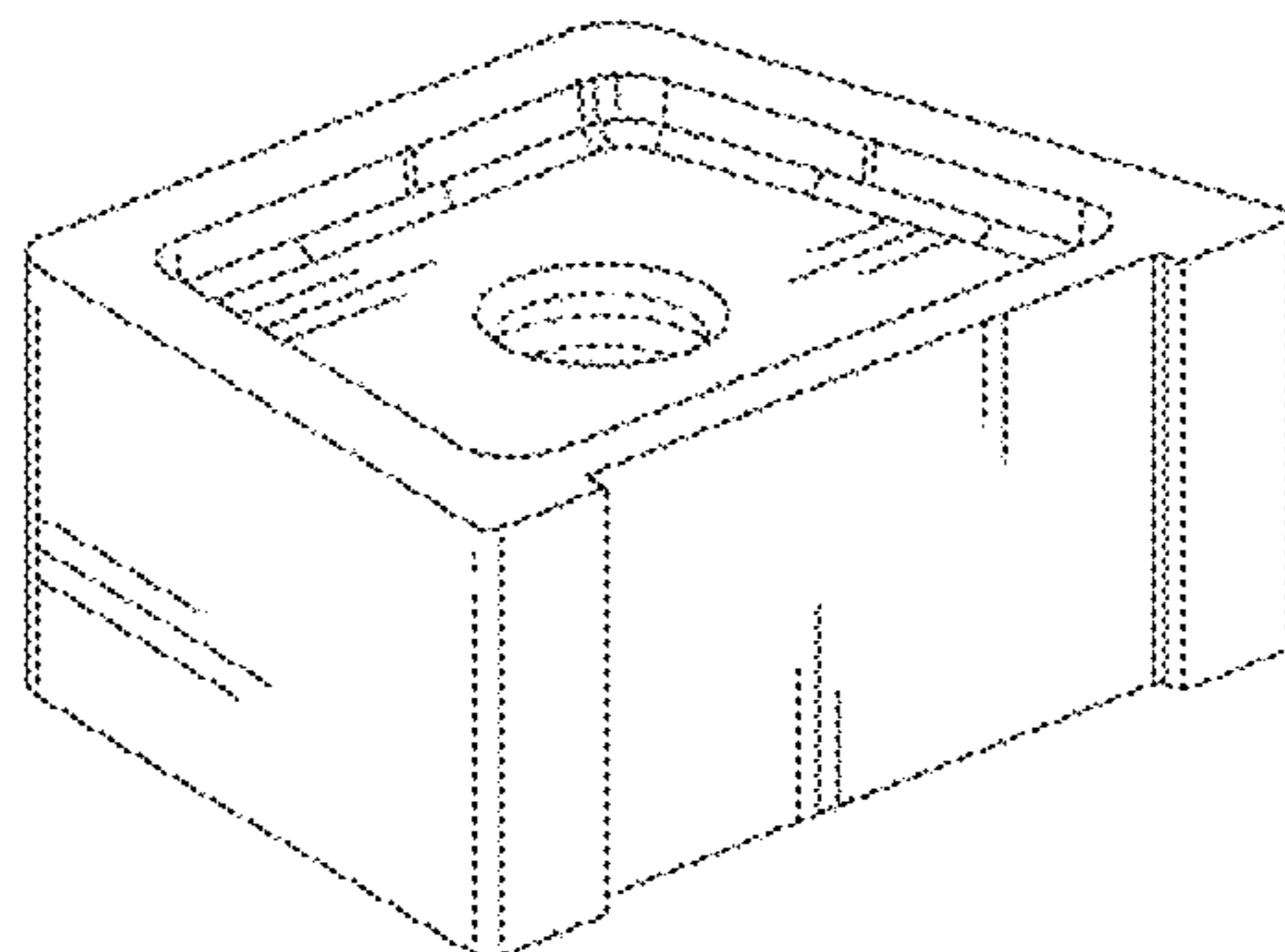
(57) **CLAIM**

The ornamental design for a cutting tool, as shown and described.

DESCRIPTION

FIG. 1 is a lower front perspective view of the cutting tool design;
FIG. 2 is an upper rear perspective view of the cutting tool design of FIG. 1;
FIG. 3 is a front view of the cutting tool design of FIG. 1 wherein the rear view is a mirror image and is not included;
FIG. 4 is a left side view of the cutting tool design of FIG. 1 wherein the right side view is a mirror image and is not included;
FIG. 5 is a top view of the cutting tool design of FIG. 1; and,
FIG. 6 is a bottom view of the cutting tool design of FIG. 1. The broken lines showing environmental structure are for illustrative purposes only and form no part of the claimed design.

1 Claim, 6 Drawing Sheets



US D676,071 S

Page 2

U.S. PATENT DOCUMENTS

6,742,970 B2 *	6/2004	Oles et al.	407/113	7,572,087 B2 *	8/2009	Nagaya et al.	407/113
6,837,453 B2	1/2005	Sturm		7,874,770 B2 *	1/2011	Omori et al.	407/119
6,848,640 B2	2/2005	Pallmann		D635,598 S *	4/2011	Widin et al.	D15/139
6,880,774 B2	4/2005	Bardos et al.		7,954,523 B2 *	6/2011	Liu	144/218
6,983,904 B2	1/2006	Plahuta et al.		2002/0031410 A1 *	3/2002	Isaksson	407/114
7,055,770 B2	6/2006	Bardos		2003/0061926 A1	4/2003	Sotsky	
7,100,855 B2	9/2006	Diemunsch		2004/0028486 A1 *	2/2004	Englund	407/90
7,213,779 B2	5/2007	Roozeboom et al.		2005/0129476 A1 *	6/2005	Kammermeier et al.	409/132
D555,684 S	11/2007	Waggle et al.		2006/0102762 A1	5/2006	Garcia et al.	
7,293,729 B2	11/2007	Ragnarsson		2009/0008491 A1	1/2009	Sharp	
7,390,151 B2	6/2008	Martin et al.					

* cited by examiner

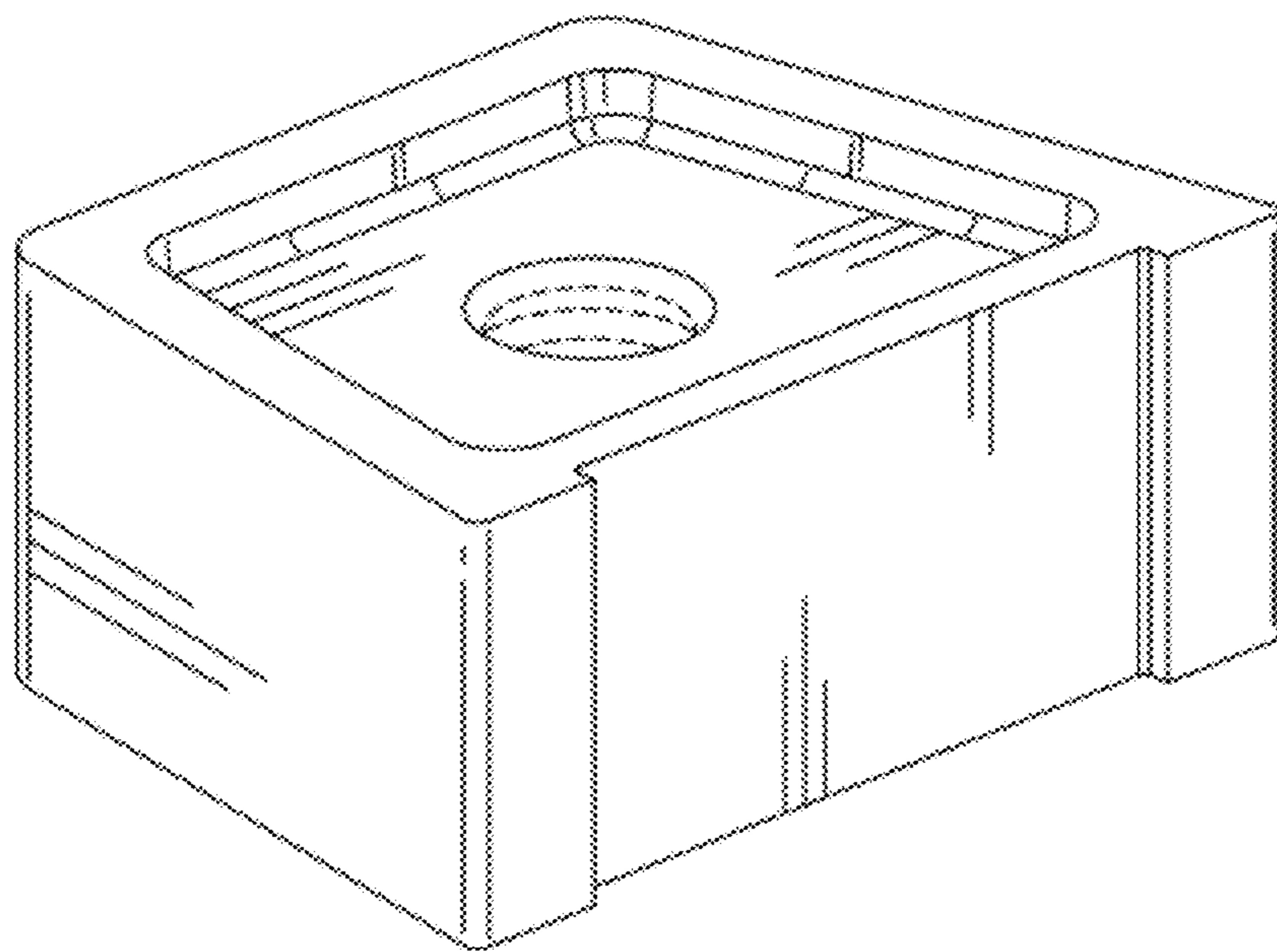


FIG. 1

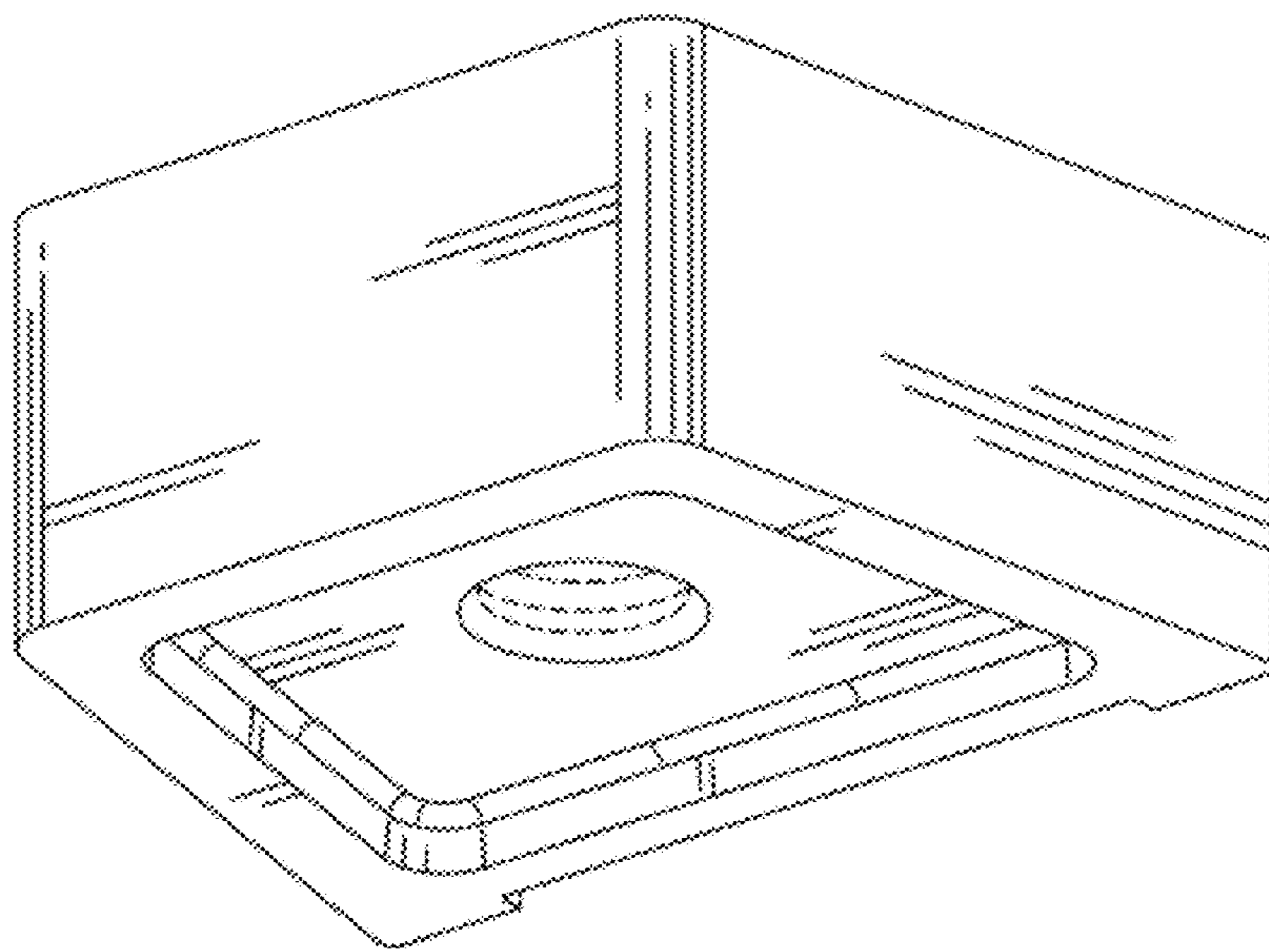


FIG. 2

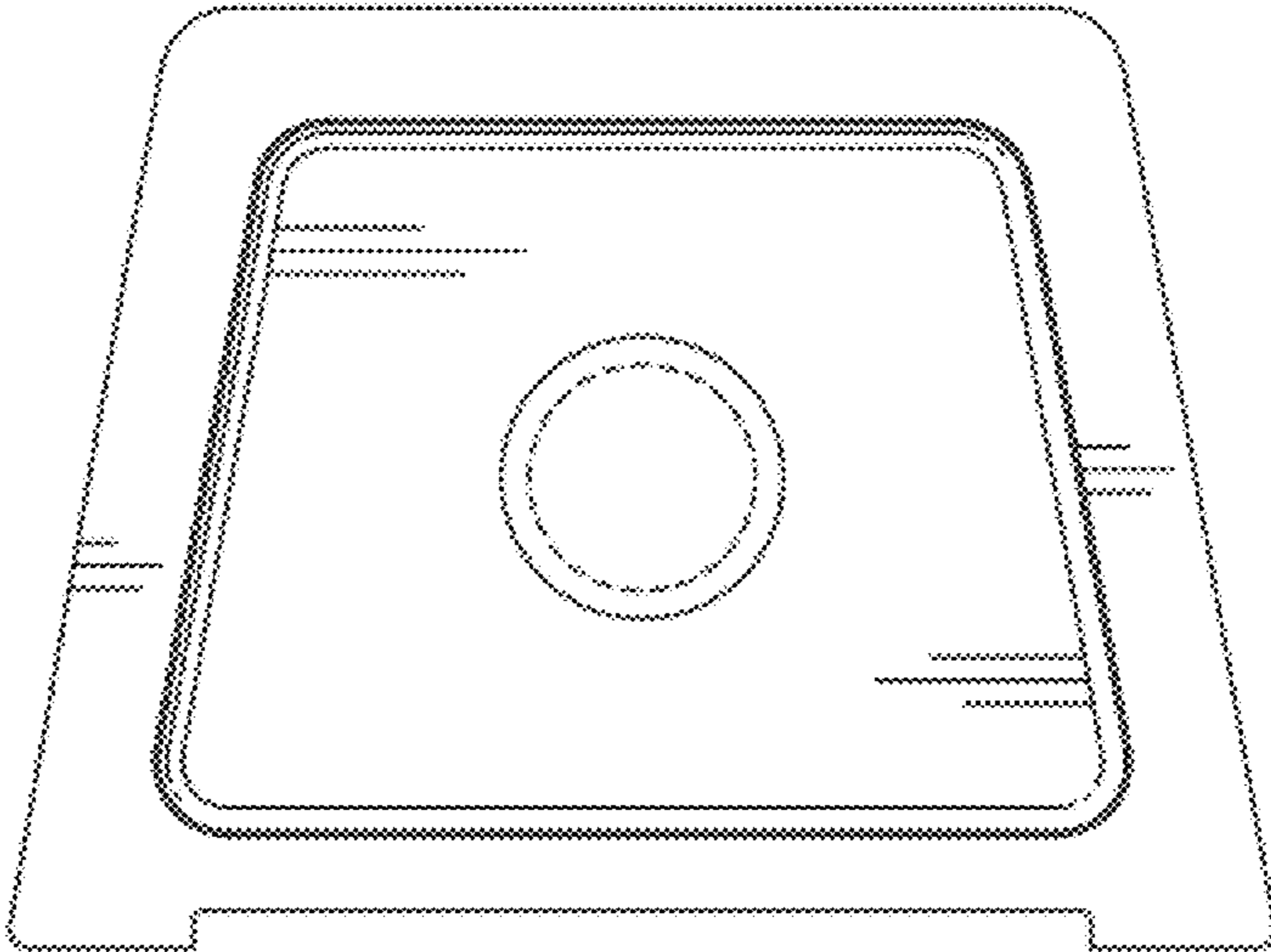


FIG. 3

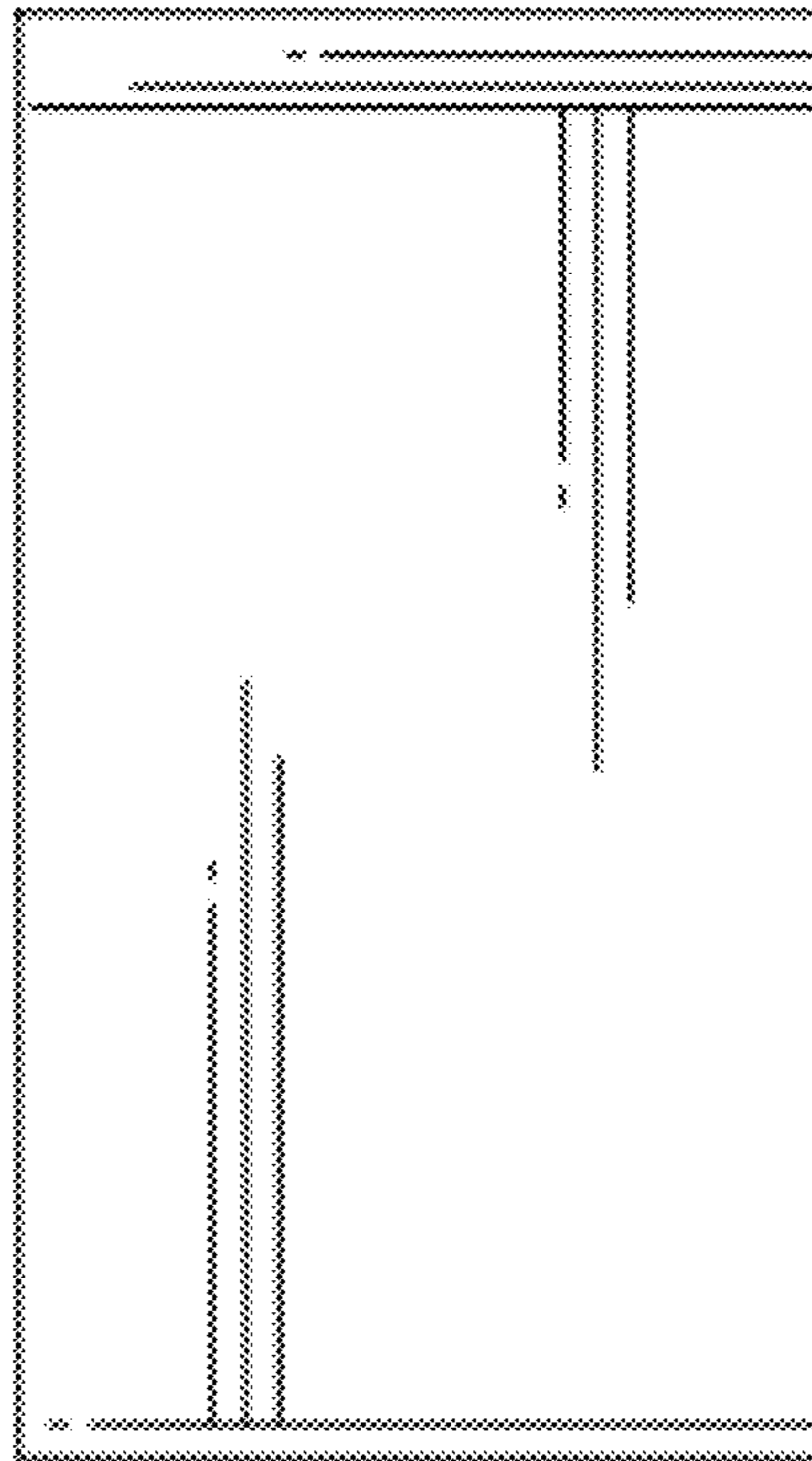


FIG. 4

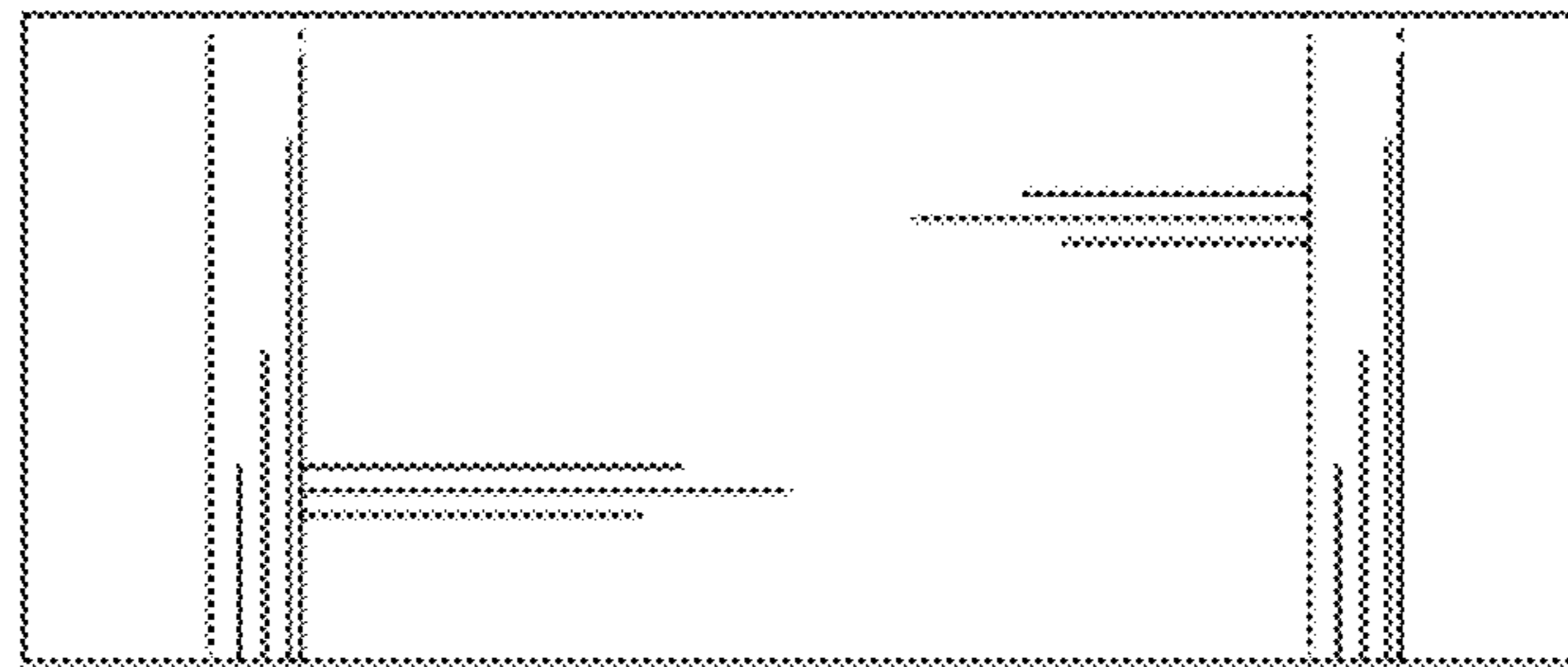


FIG. 5

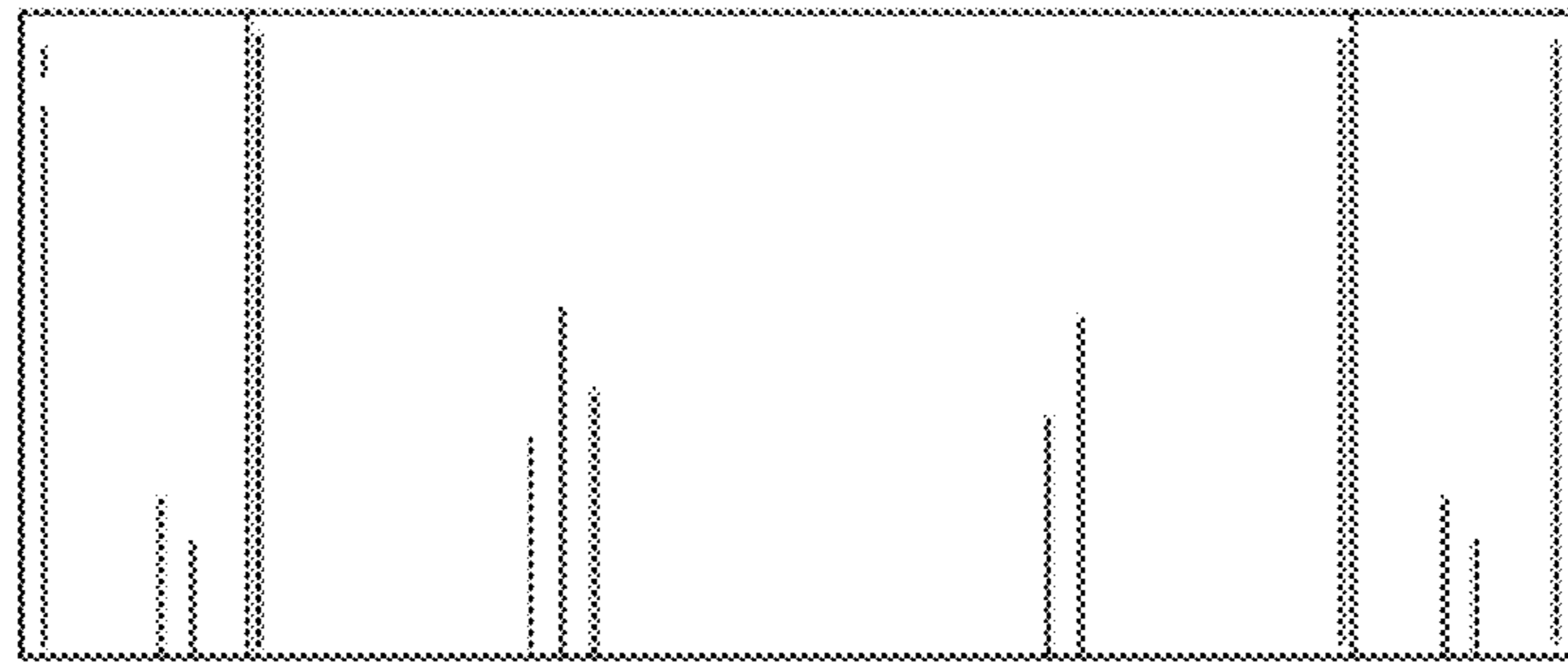


FIG. 6