



US00D676070S

(12) **United States Design Patent**
Hammer

(10) **Patent No.:** **US D676,070 S**
(45) **Date of Patent:** **** Feb. 12, 2013**

(54) **CONCRETE BLOCK MOLD**

(75) Inventor: **James E. Hammer**, University Place,
WA (US)

(73) Assignee: **Westblock Systems, Inc.**, Salem, OR
(US)

(**) Term: **14 Years**

(21) Appl. No.: **29/423,579**

(22) Filed: **Jun. 1, 2012**

Related U.S. Application Data

(62) Division of application No. 29/338,912, filed on Jun.
19, 2009, now Pat. No. Des. 663,329.

(51) **LOC (9) Cl.** **15-09**

(52) **U.S. Cl.** **D15/136**

(58) **Field of Classification Search** D3/296;
D6/332, 456, 491, 509; D9/432, 434, 456;
D15/135, 136, 137; 52/562; 229/120.25,
229/120.36; 249/122, 160; 264/319
See application file for complete search history.

(56) **References Cited**

U.S. PATENT DOCUMENTS

1,077,295	A	11/1913	Owens	
1,631,901	A	6/1927	Threadgill	
2,705,887	A *	4/1955	Xanten	52/125.2
2,741,362	A *	4/1956	Cortright	206/453
2,807,431	A *	9/1957	McHale	248/113
3,059,362	A *	10/1962	Scherotto	40/610
3,120,904	A *	2/1964	La Chiusa	221/1
4,372,086	A *	2/1983	Hanlon	160/135
D342,011	S *	12/1993	Maguire	D8/349
5,333,971	A	8/1994	Lewis	
5,447,393	A	9/1995	Yeates et al.	
5,937,594	A *	8/1999	Sourlis	52/169.5

D423,825	S *	5/2000	Alcala et al.	D6/478
7,056,066	B2	6/2006	Irvine	
7,350,772	B2 *	4/2008	Legrand	256/25
D590,697	S *	4/2009	Townley	D8/354
D624,768	S *	10/2010	Clark et al.	D6/509
7,832,161	B2 *	11/2010	Ligabue	52/254
D631,425	S *	1/2011	Belmessieri	D12/425
7,999,691	B2	8/2011	Wolf et al.	
D663,329	S *	7/2012	Hammer	D15/136
2005/0016106	A1	1/2005	Dawson et al.	
2005/0229535	A1	10/2005	Garner et al.	
2007/0283653	A1	12/2007	Garner et al.	

* cited by examiner

Primary Examiner — Patricia Palasik

(74) *Attorney, Agent, or Firm* — Klarquist Sparkman, LLP

(57) **CLAIM**

I claim the ornamental design for a concrete block mold, as shown and described.

DESCRIPTION

FIG. 1 is a perspective view of a concrete block mold. FIG. 2 is a front view of the divider plate shown in FIG. 1, shown apart from the surrounding walls of the concrete block mold for clarity of disclosure.

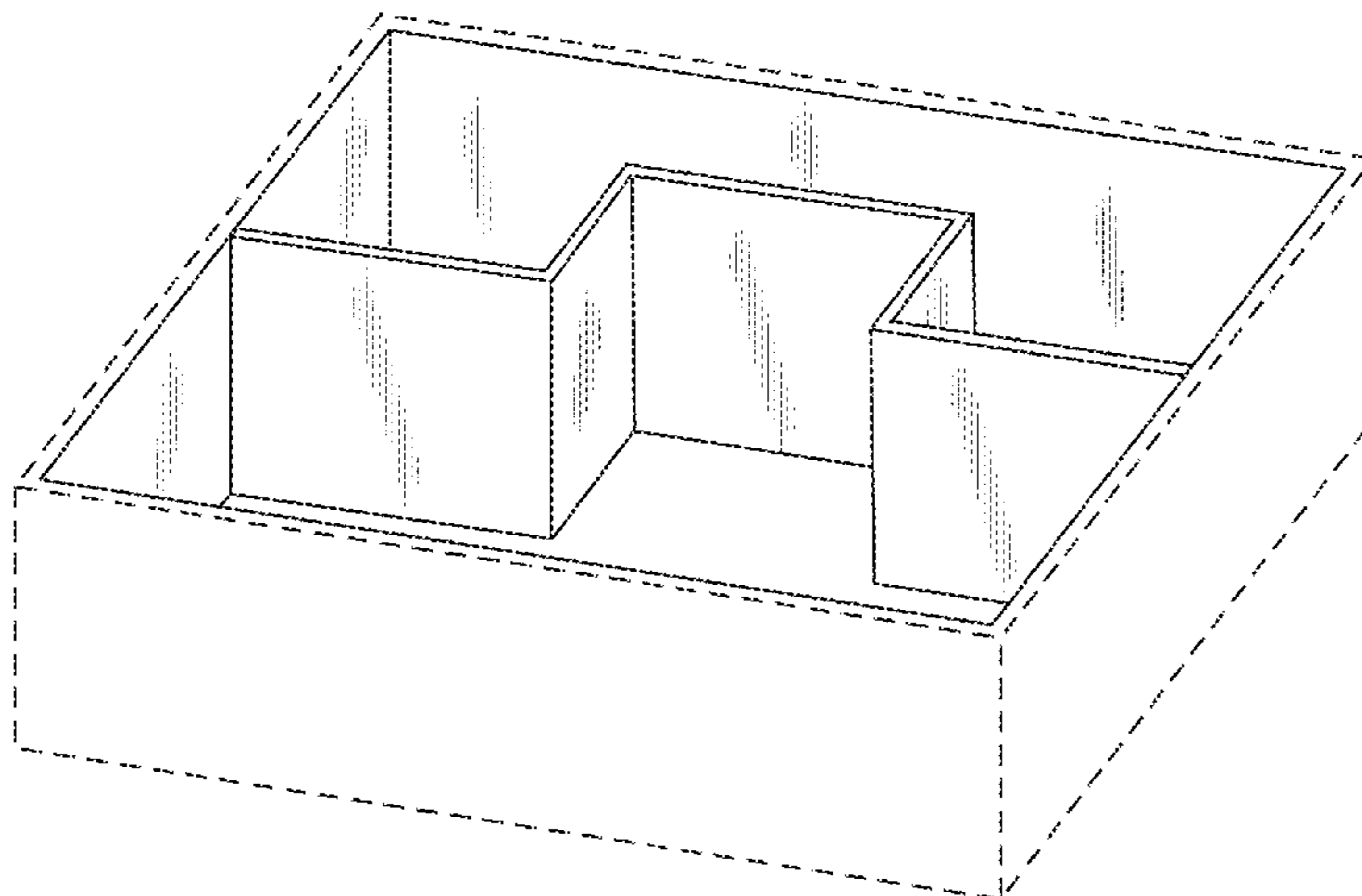
FIG. 3 is a top plan view of the concrete block mold of FIG. 1.

FIG. 4 is a rear view of the divider plate of FIG. 1, shown apart from the surrounding walls of the concrete block mold for clarity of disclosure; and,

FIG. 5 is a side view of the divider plate of FIG. 1, shown apart from the surrounding walls of the concrete block mold for clarity of disclosure, the opposite side being a mirror image thereof.

The dashed lines in the drawings represent unclaimed portions of the walls of the mold and form no part of the claimed design.

1 Claim, 2 Drawing Sheets



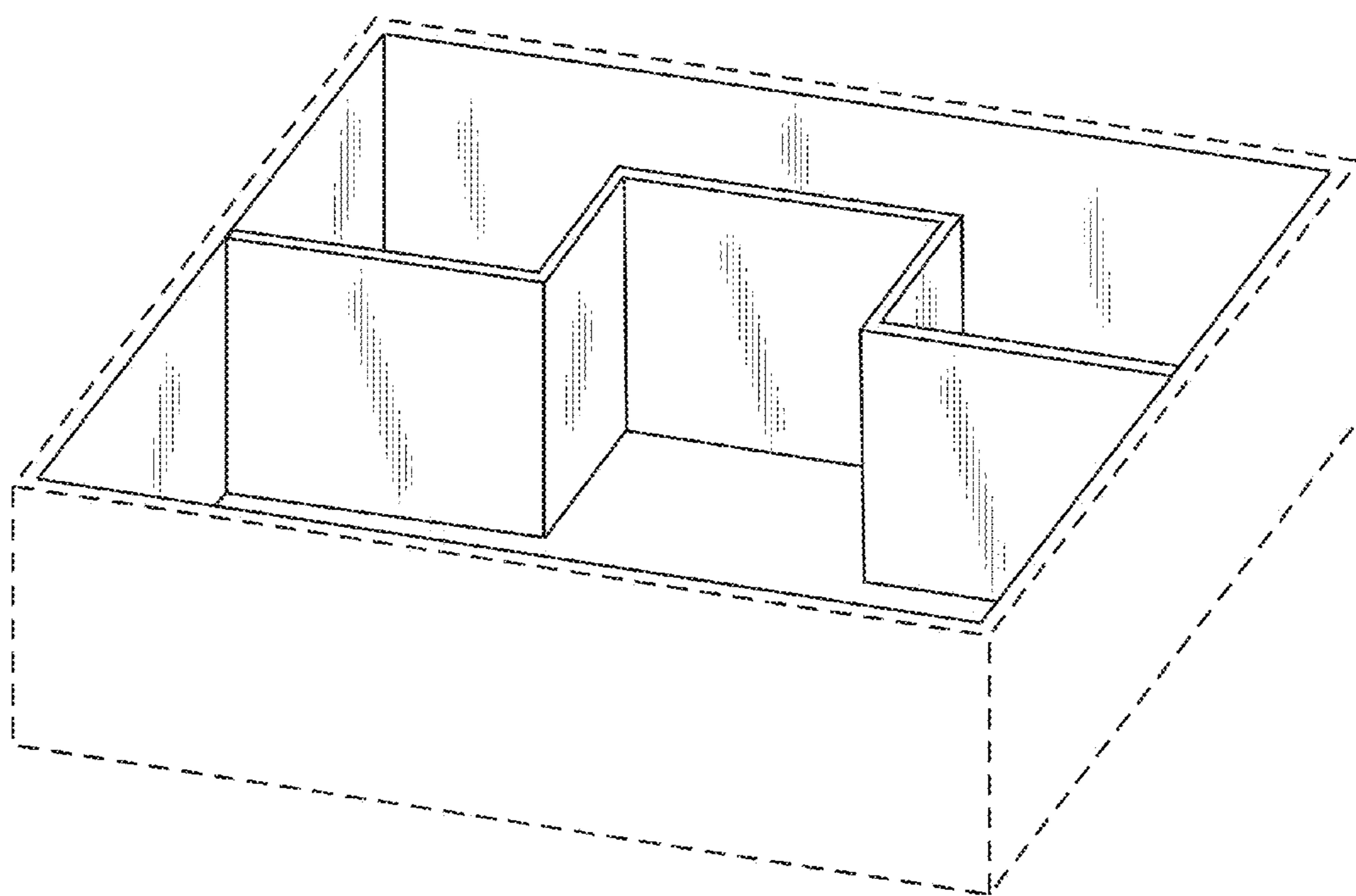


FIG. 1

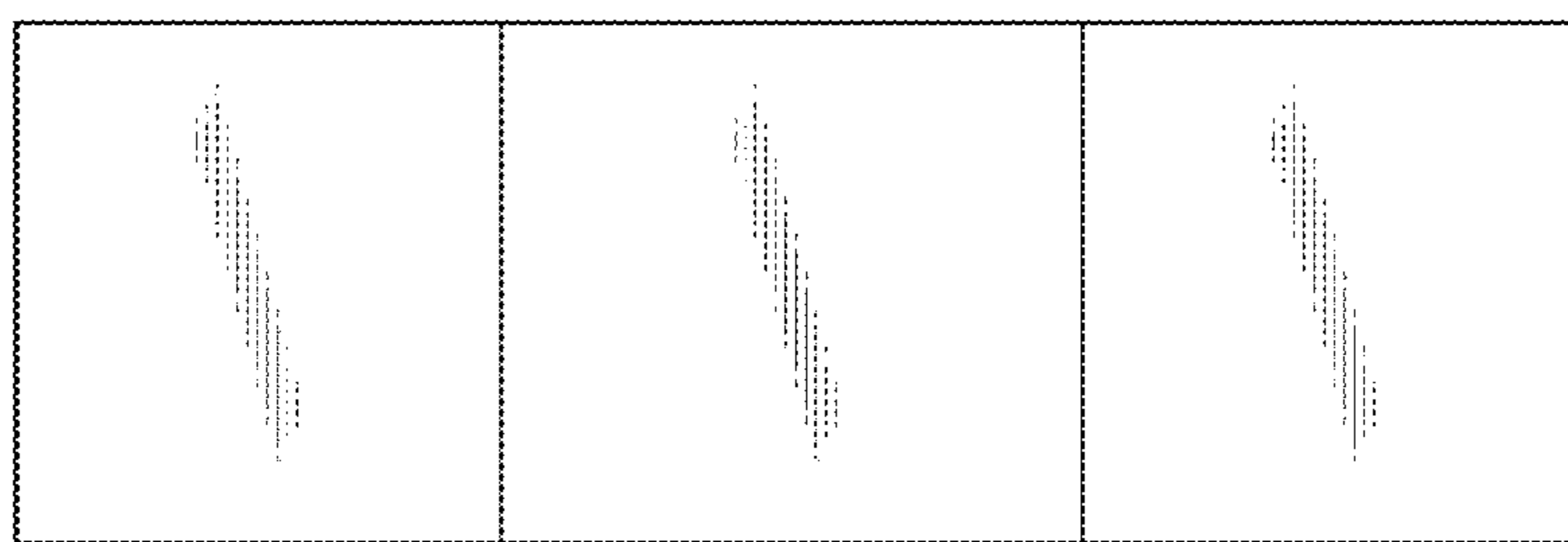


FIG. 2

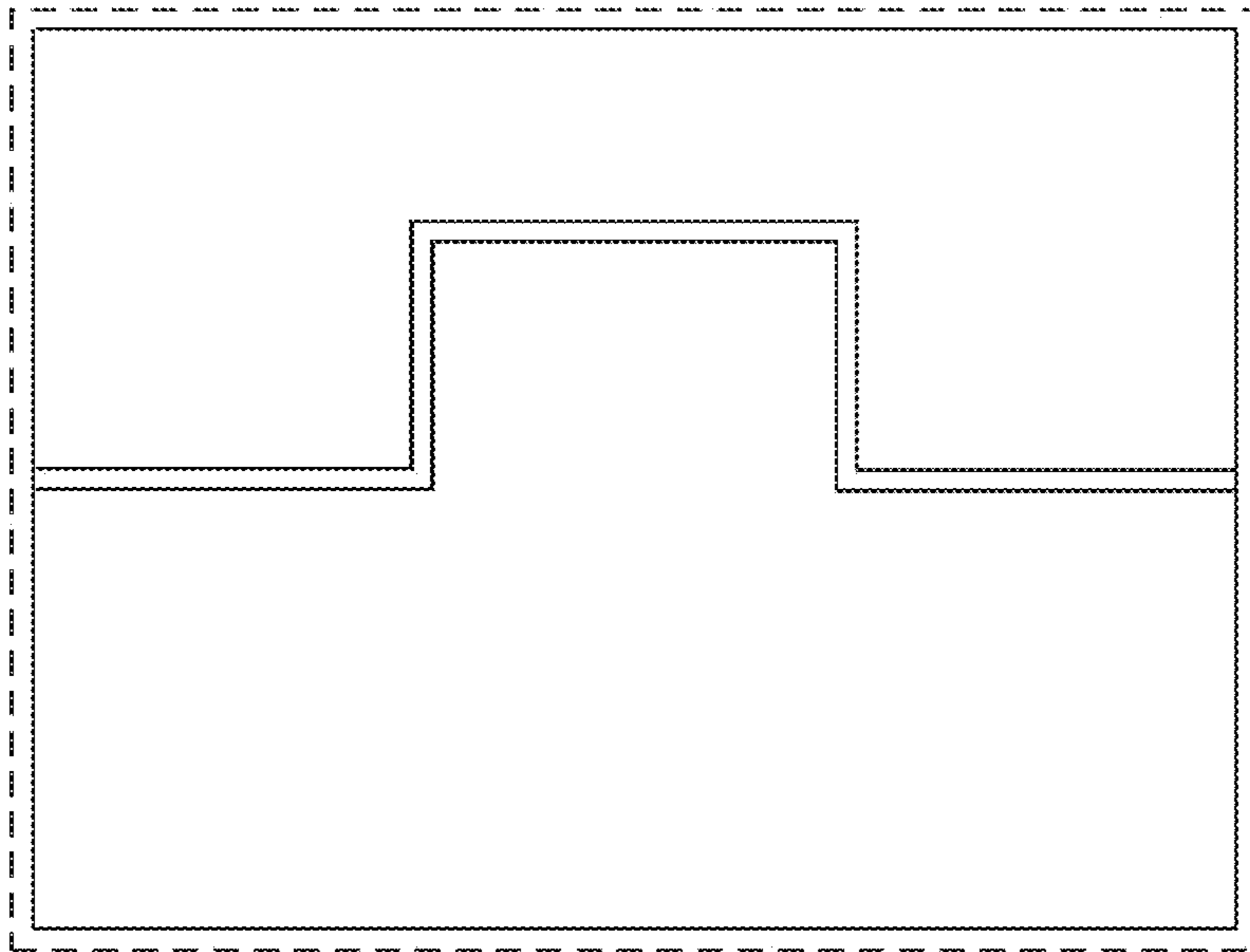


FIG. 3

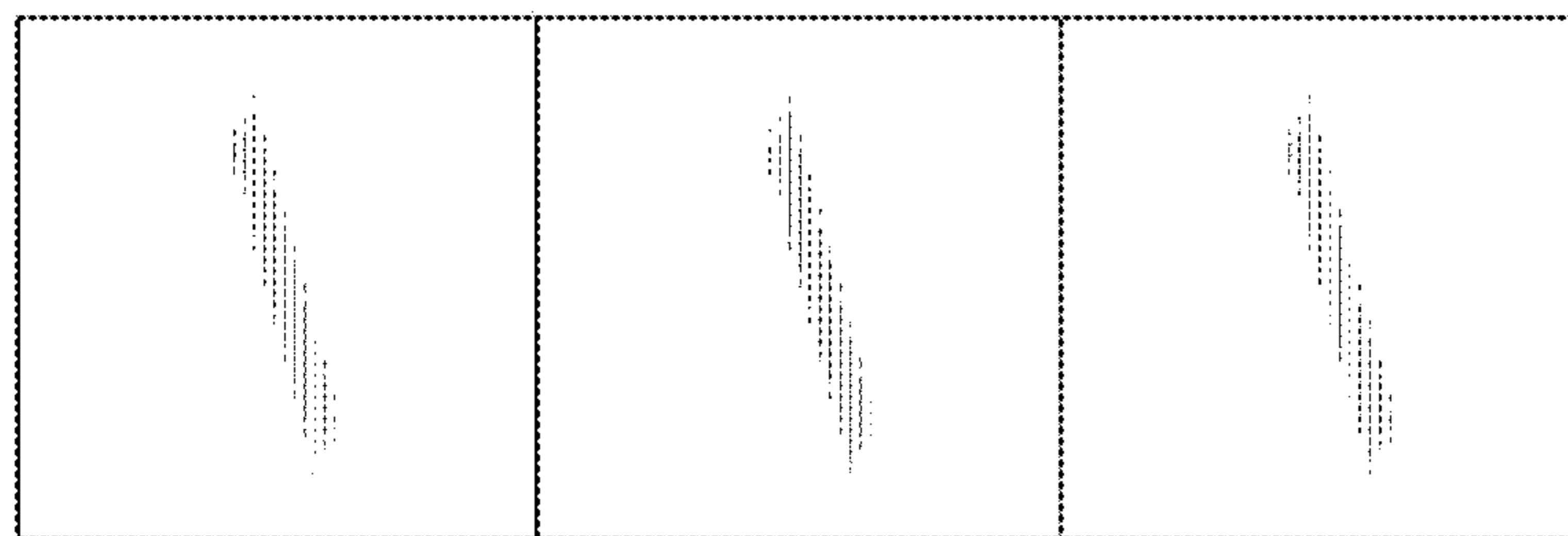


FIG. 4

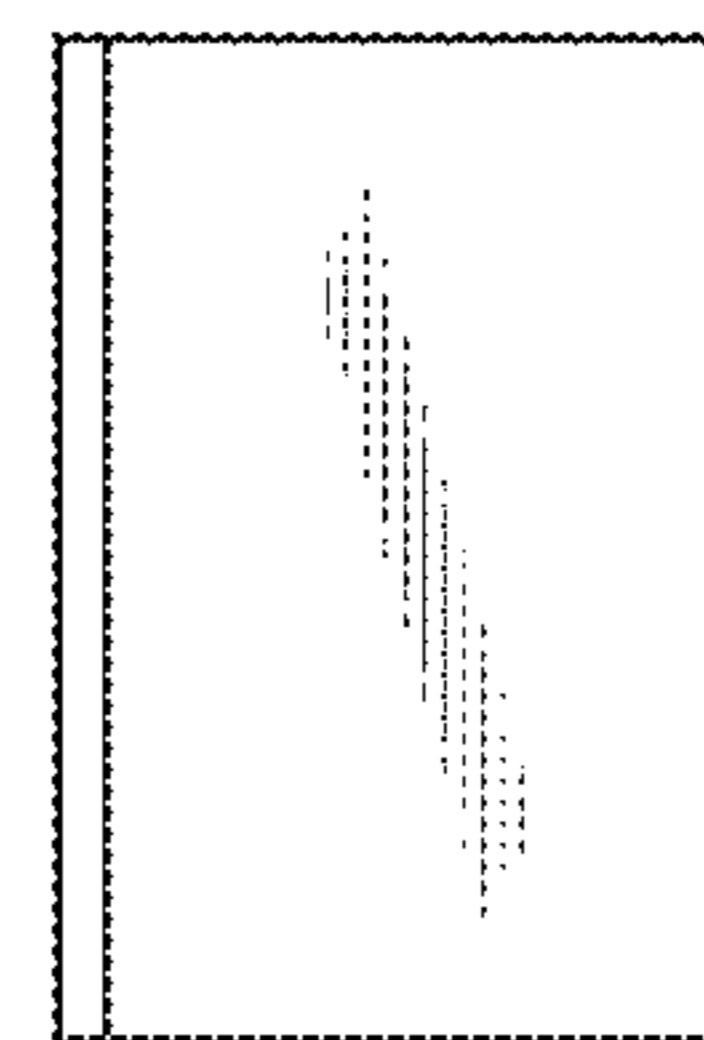


FIG. 5