



US00D676069S

(12) **United States Design Patent**
Fujiwara

(10) **Patent No.:** **US D676,069 S**
(45) **Date of Patent:** **** Feb. 12, 2013**

(54) **FRENCH KNITTING SPOOL**

DESCRIPTION

- (75) Inventor: **Yasuhiro Fujiwara**, Osaka (JP)
- (73) Assignee: **Clover Mfg. Co., Ltd.**, Osaka (JP)
- (**) Term: **14 Years**
- (21) Appl. No.: **29/416,138**
- (22) Filed: **Mar. 19, 2012**

(30) **Foreign Application Priority Data**

Nov. 4, 2011 (JP) 2011-025469

- (51) **LOC (9) Cl.** **15-06**
- (52) **U.S. Cl.** **D15/78**
- (58) **Field of Classification Search** D15/66-76,
D15/78; 242/71.8, 118, 118.4
See application file for complete search history.

(56) **References Cited**

U.S. PATENT DOCUMENTS

- D29,965 S * 1/1899 Blakeslee D15/72
- D250,338 S * 11/1978 LaPierre D15/78

* cited by examiner

Primary Examiner — Mitchell Siegel

(74) *Attorney, Agent, or Firm* — Hamre, Schumann, Mueller & Larson, P.C.

(57) **CLAIM**

I claim the ornamental design for a French knitting spool, as shown and described.

FIG. 1 is a perspective view of a French knitting spool according to a first embodiment of my design;
 FIG. 2 is a top plan view of the same knitting spool;
 FIG. 3 is a bottom view of the same knitting spool;
 FIG. 4 is a front view of the same knitting spool;
 FIG. 5 is a rear view of the same knitting spool;
 FIG. 6 is a left side view of the same knitting spool;
 FIG. 7 is a right side view of the same knitting spool;
 FIG. 8 is a top plan view of a French knitting spool according to a second embodiment of my design;
 FIG. 9 is a bottom view of the knitting spool according to the second embodiment;
 FIG. 10 is a front view of the knitting spool according to the second embodiment, a rear view as well as left and right side views being identical to the front view;
 FIG. 11 is a top plan view of a French knitting spool according to a third embodiment of my design;
 FIG. 12 is a bottom view of the knitting spool according to the third embodiment;
 FIG. 13 is a front view of the knitting spool according to the third embodiment, a rear view being identical to the front view; and,
 FIG. 14 is a left side view of the knitting spool according to the second embodiment, a right side view being identical to the left side view.
 The broken lines in each of the figures showing a portion of the French knitter are for illustrative purposes only and form no part of the claimed design.

1 Claim, 11 Drawing Sheets

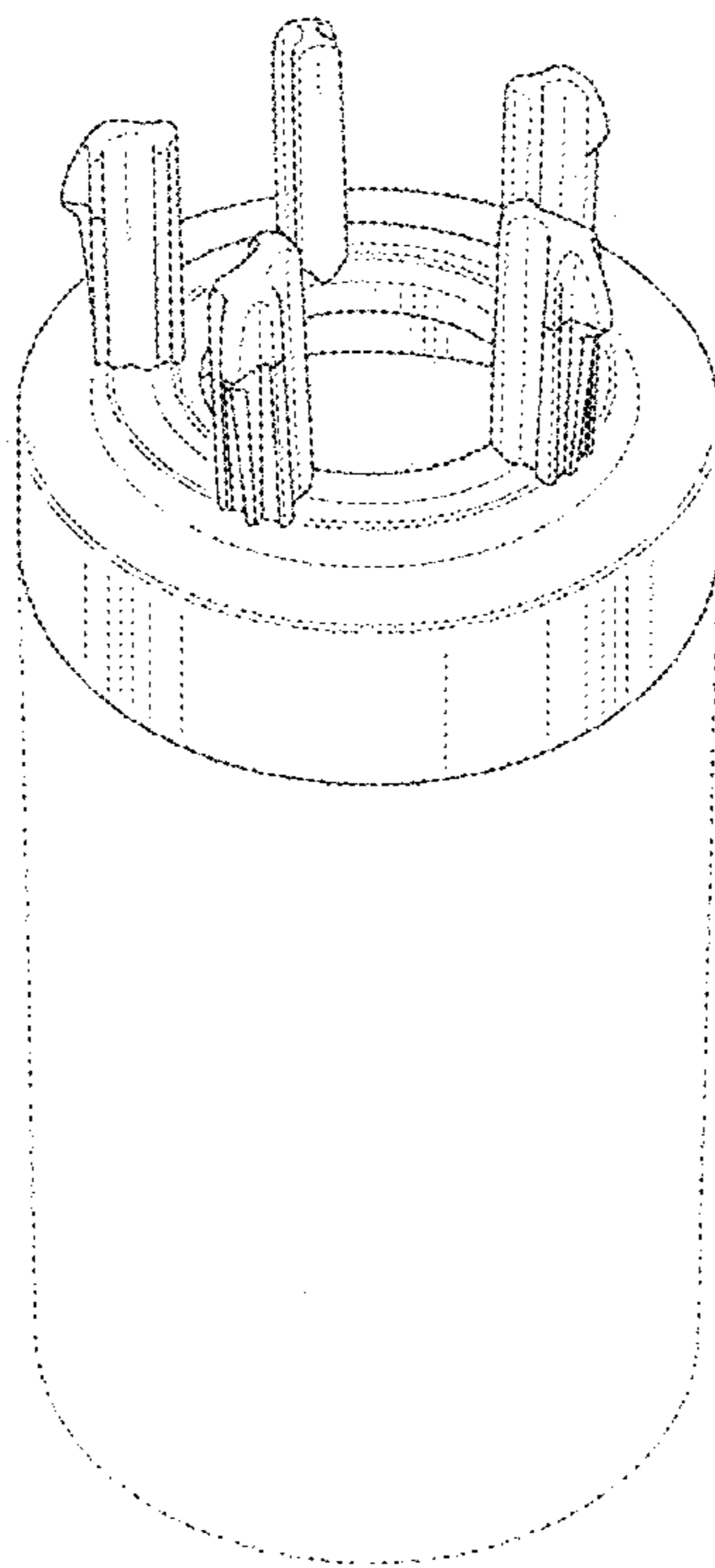


Fig. 1

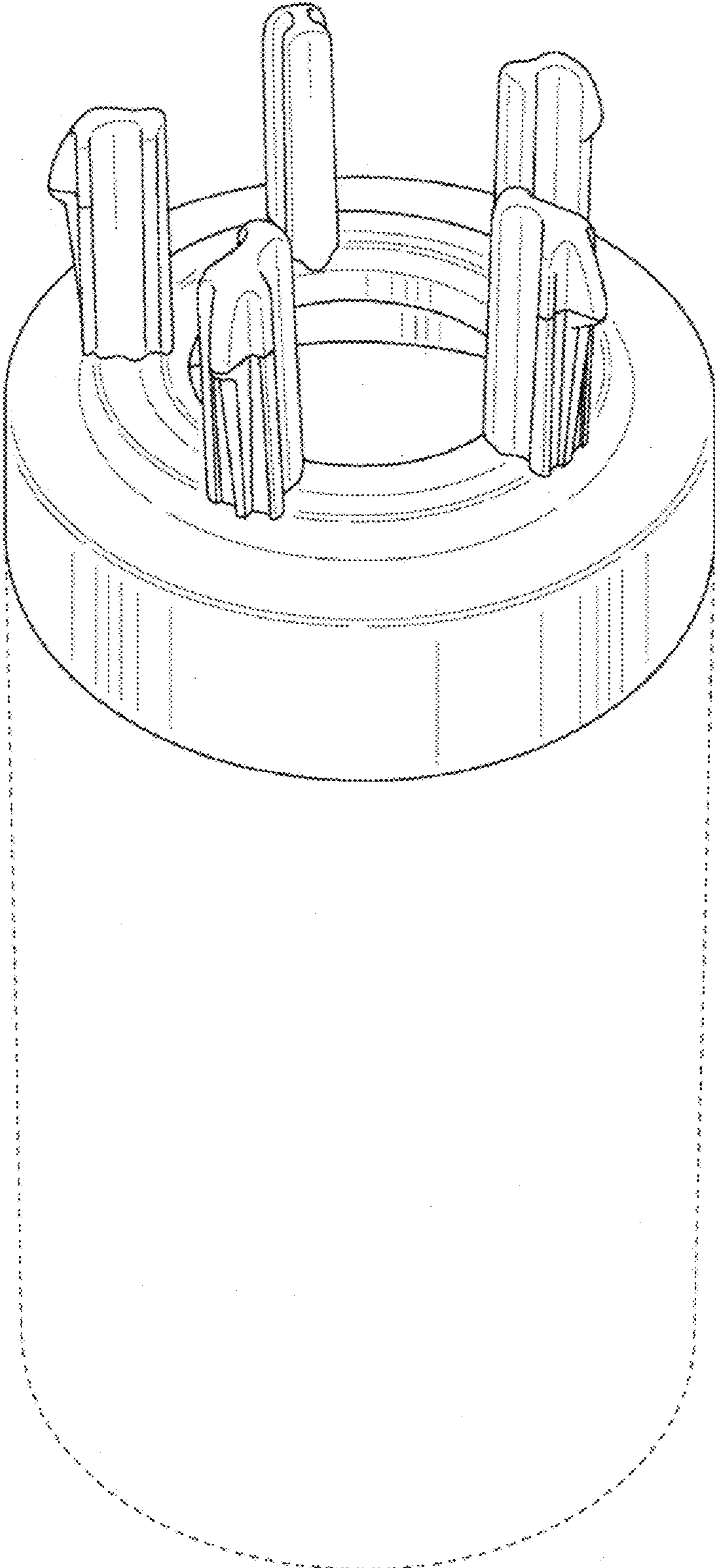


Fig. 2

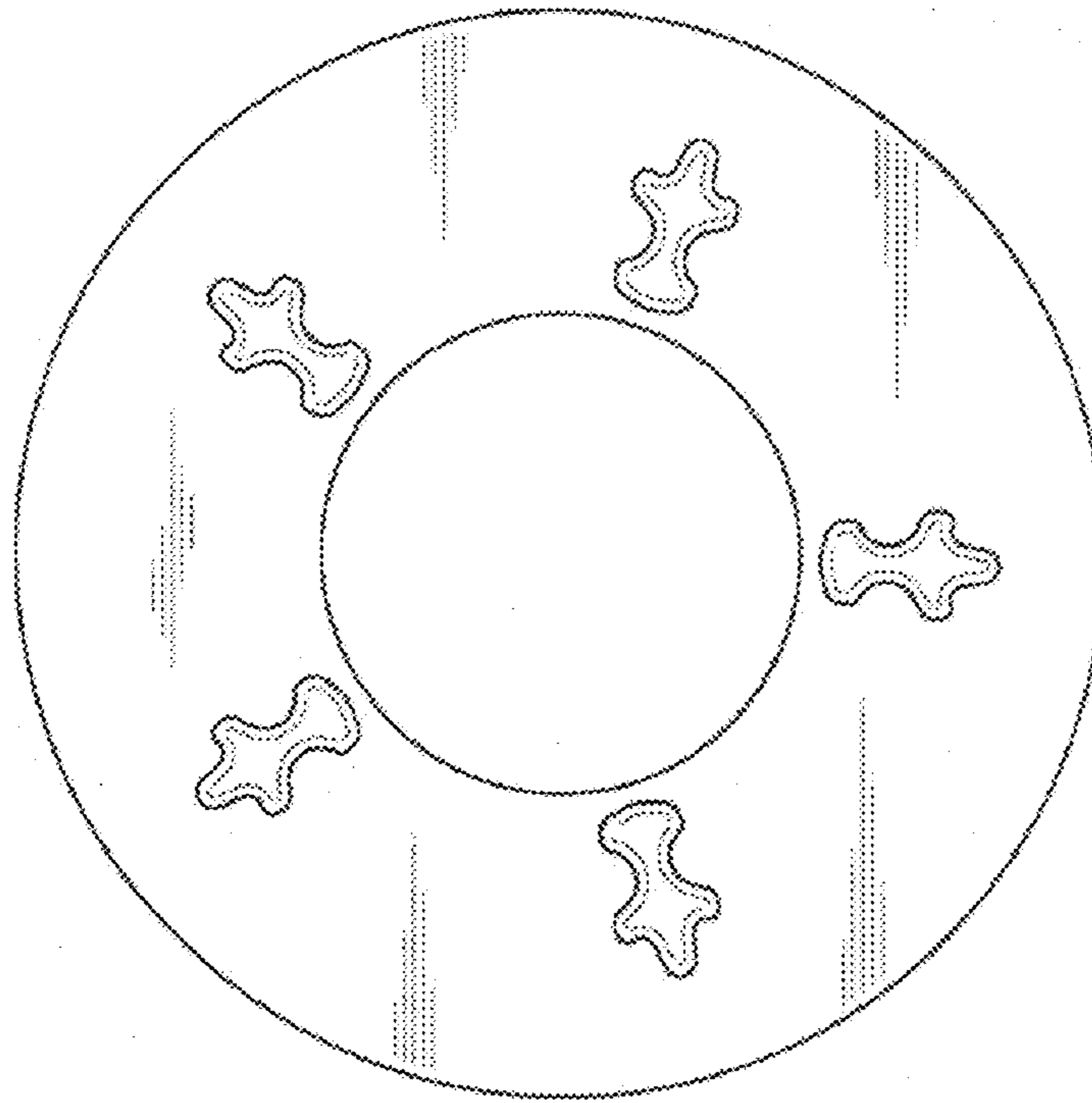


Fig. 3

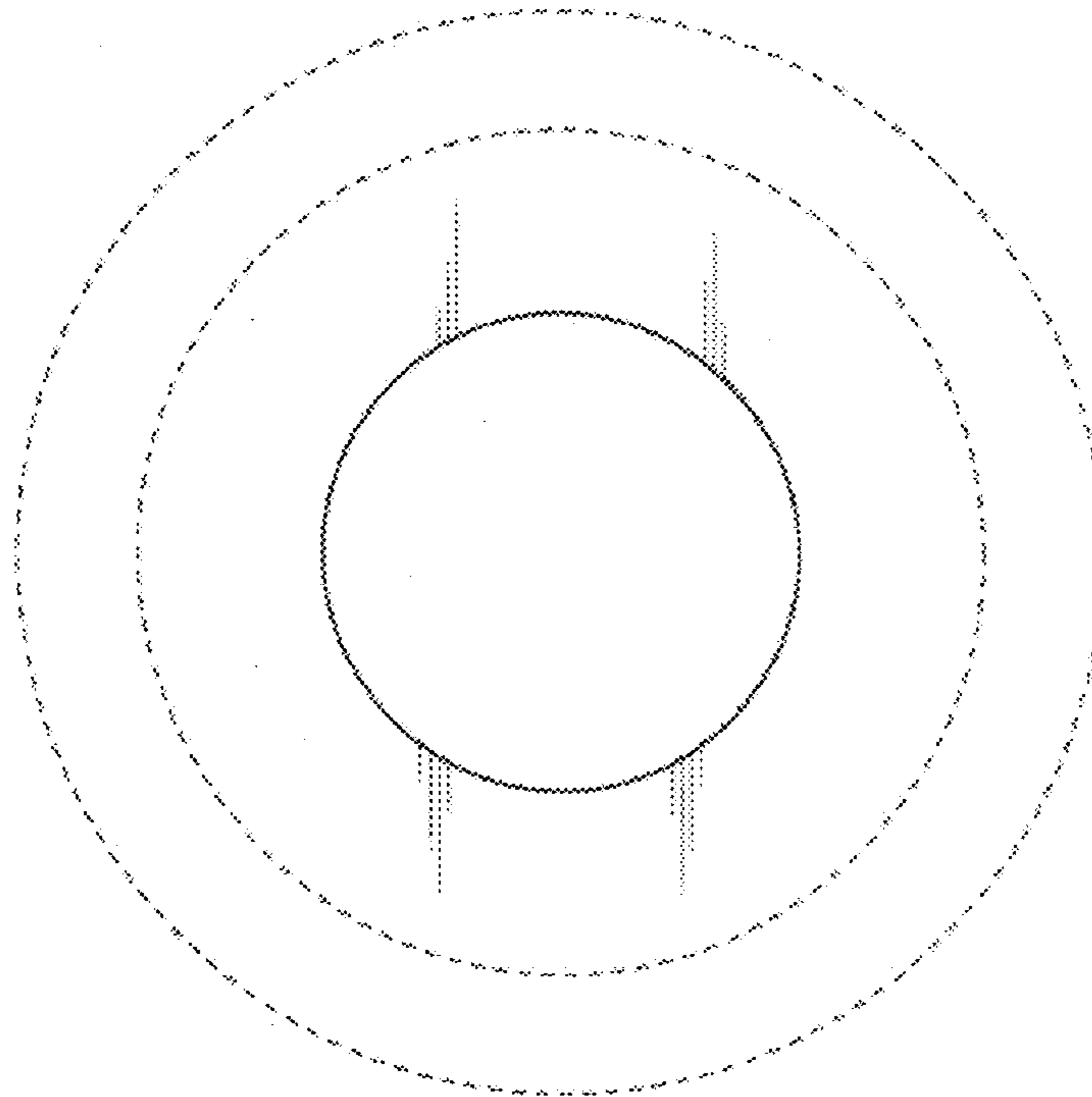


Fig. 4

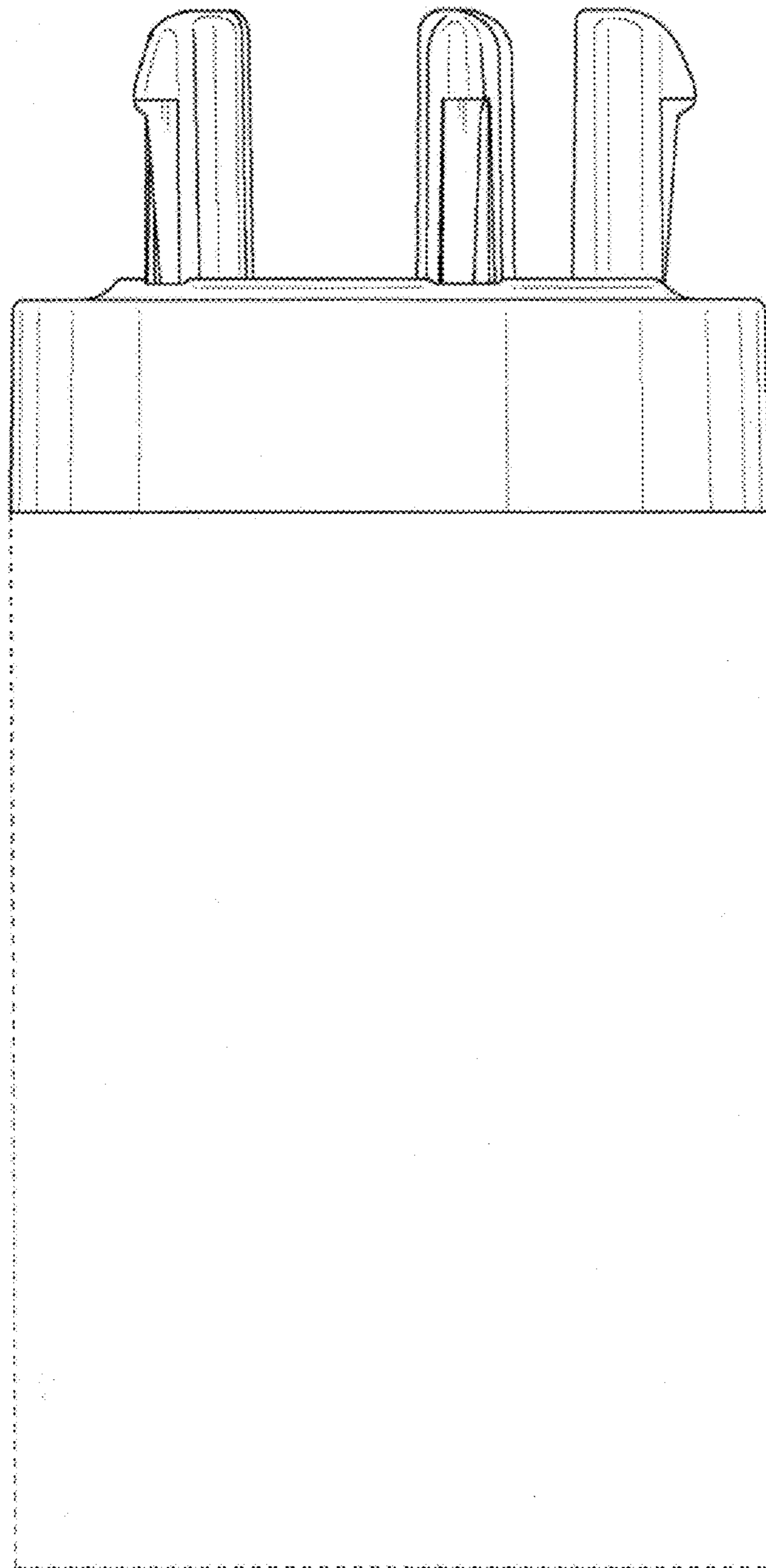


Fig. 5

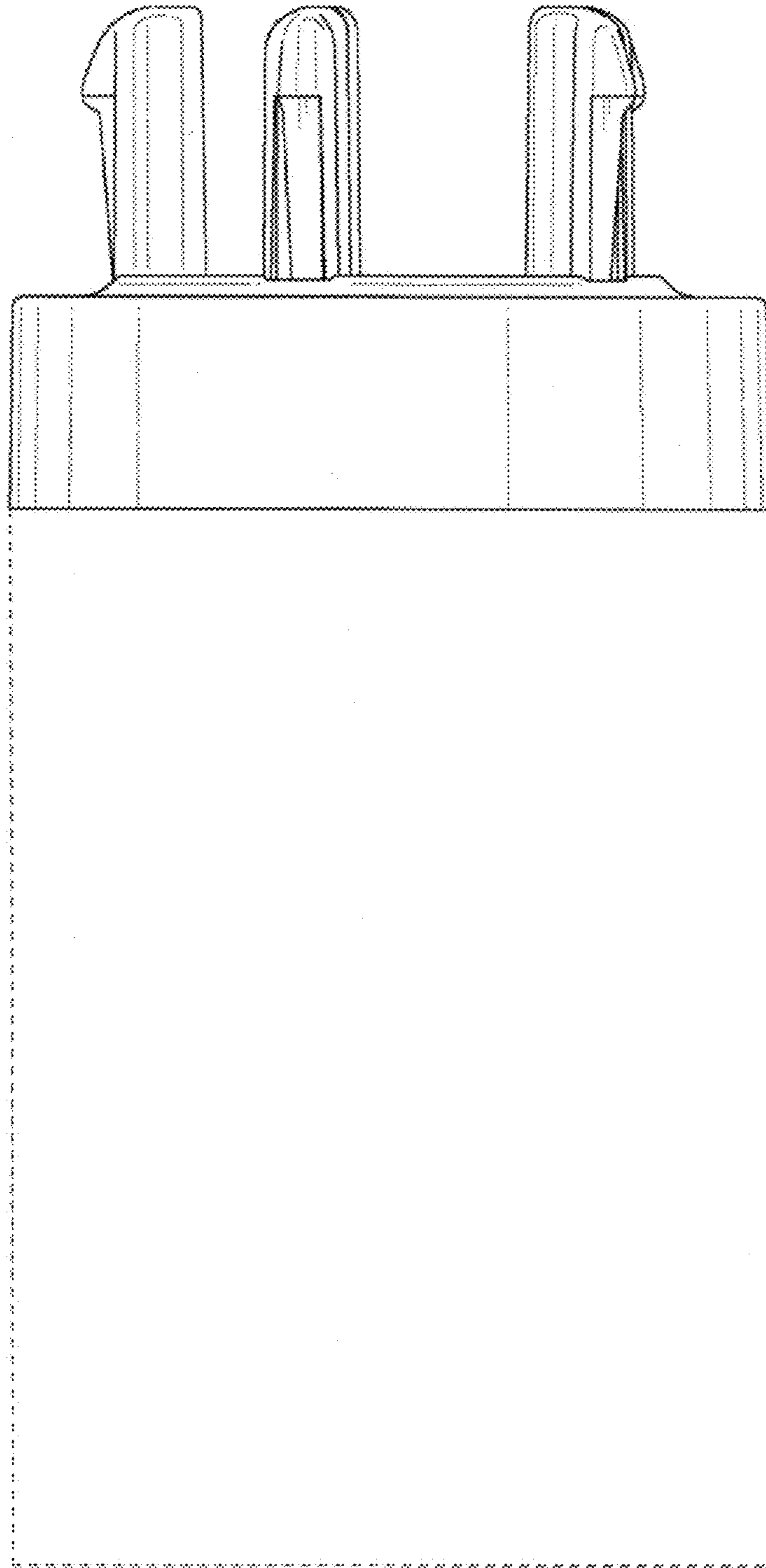


Fig. 6

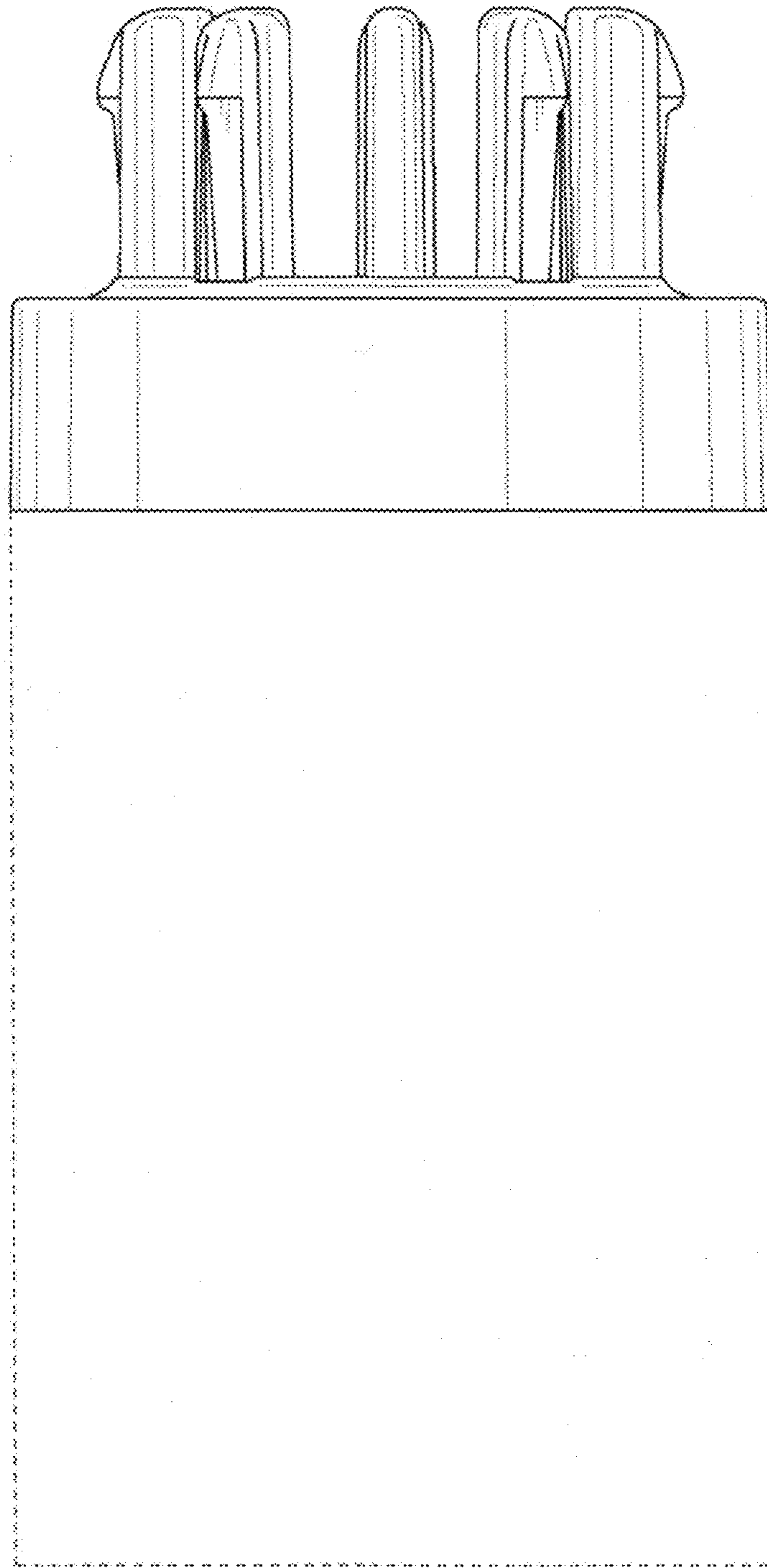


Fig. 7

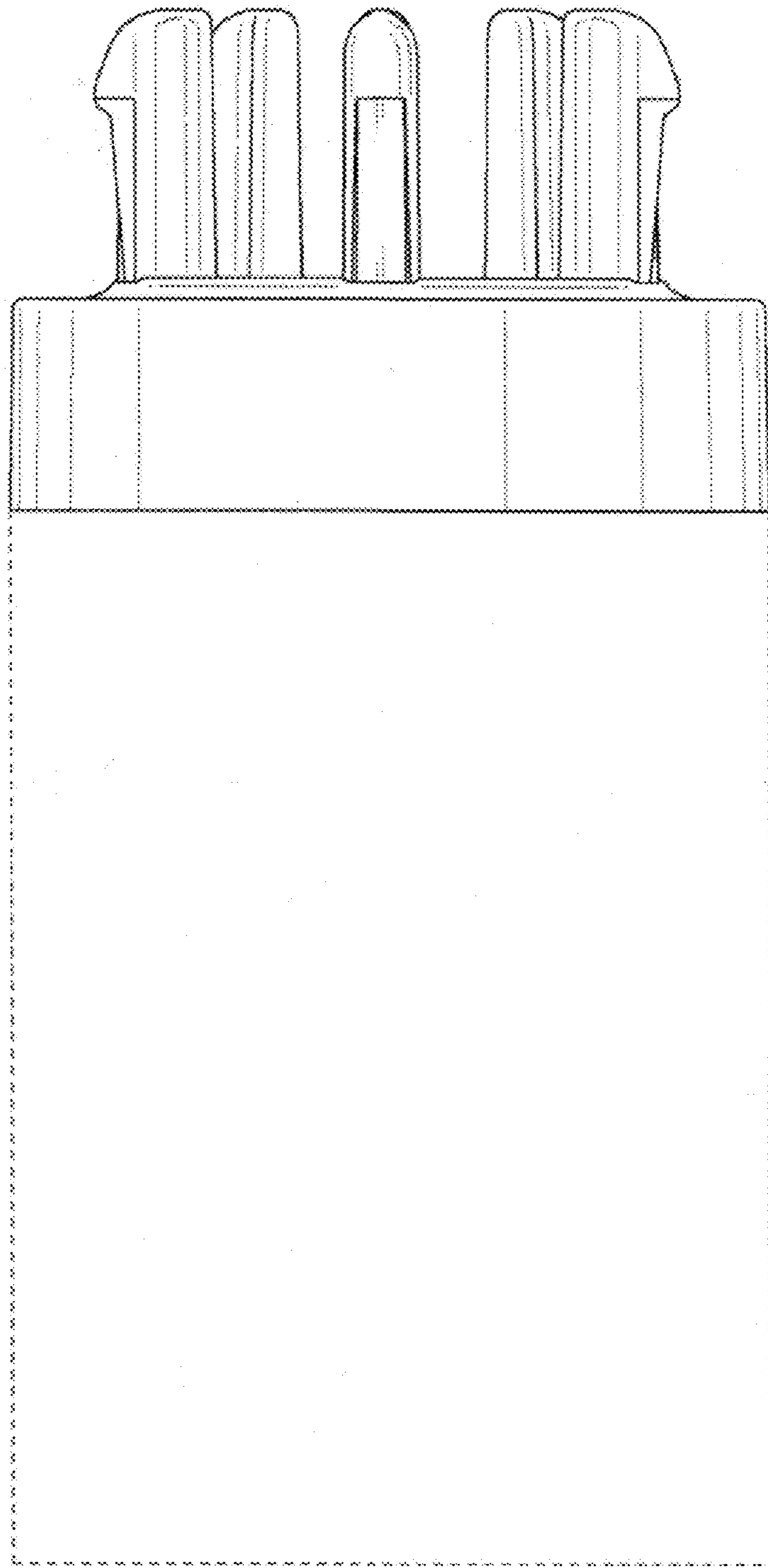


Fig. 8

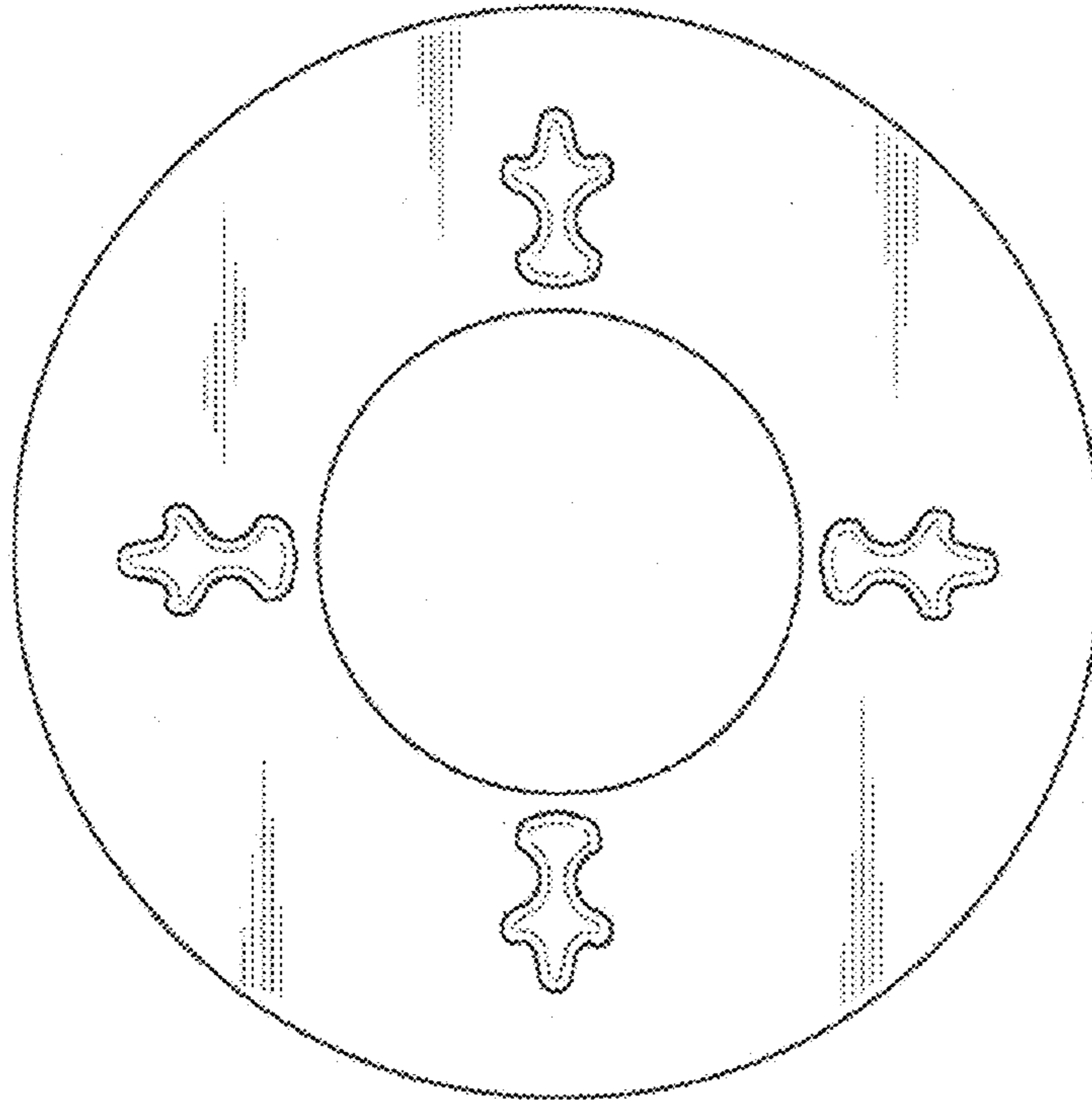


Fig. 9

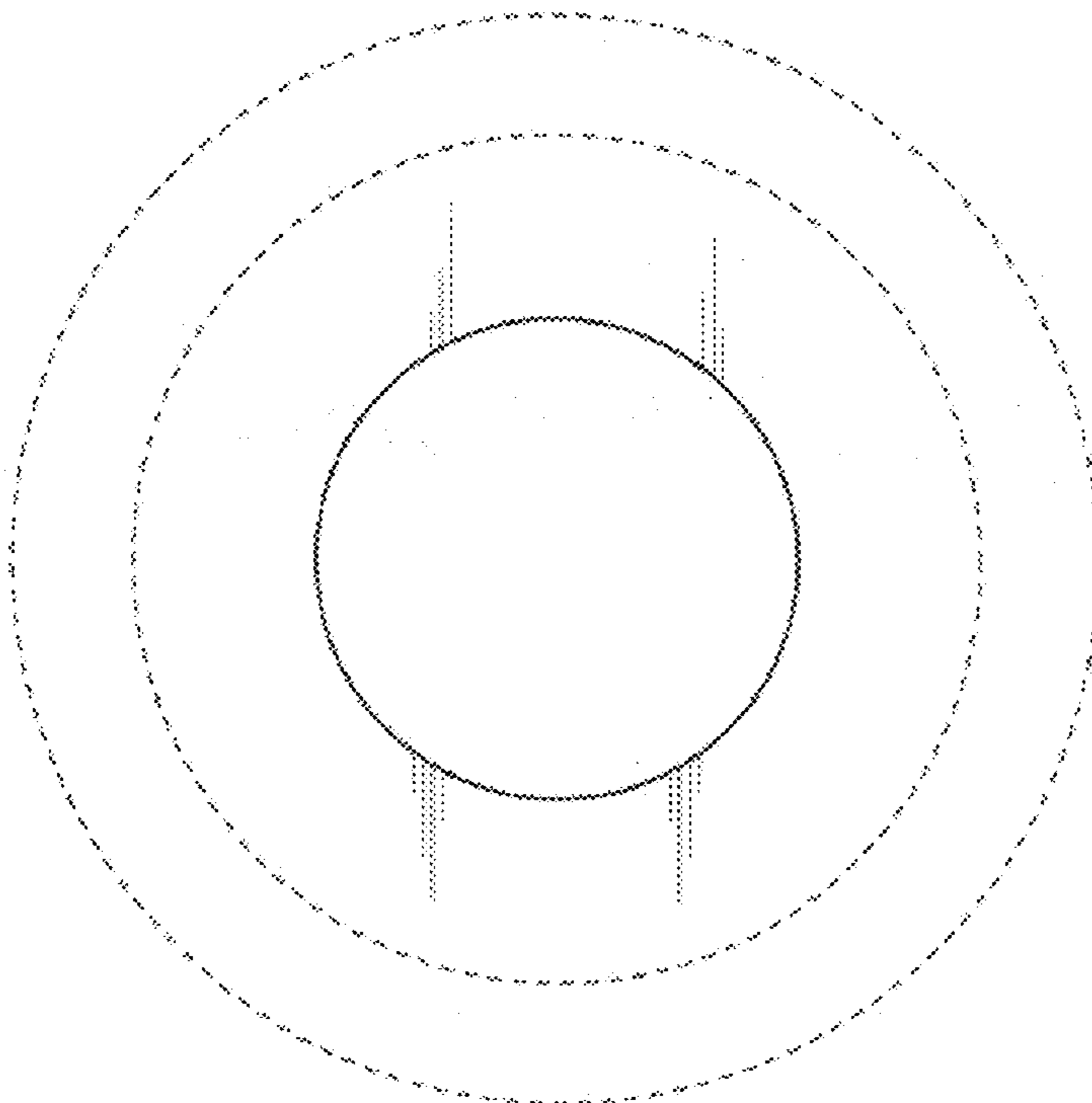


Fig. 10

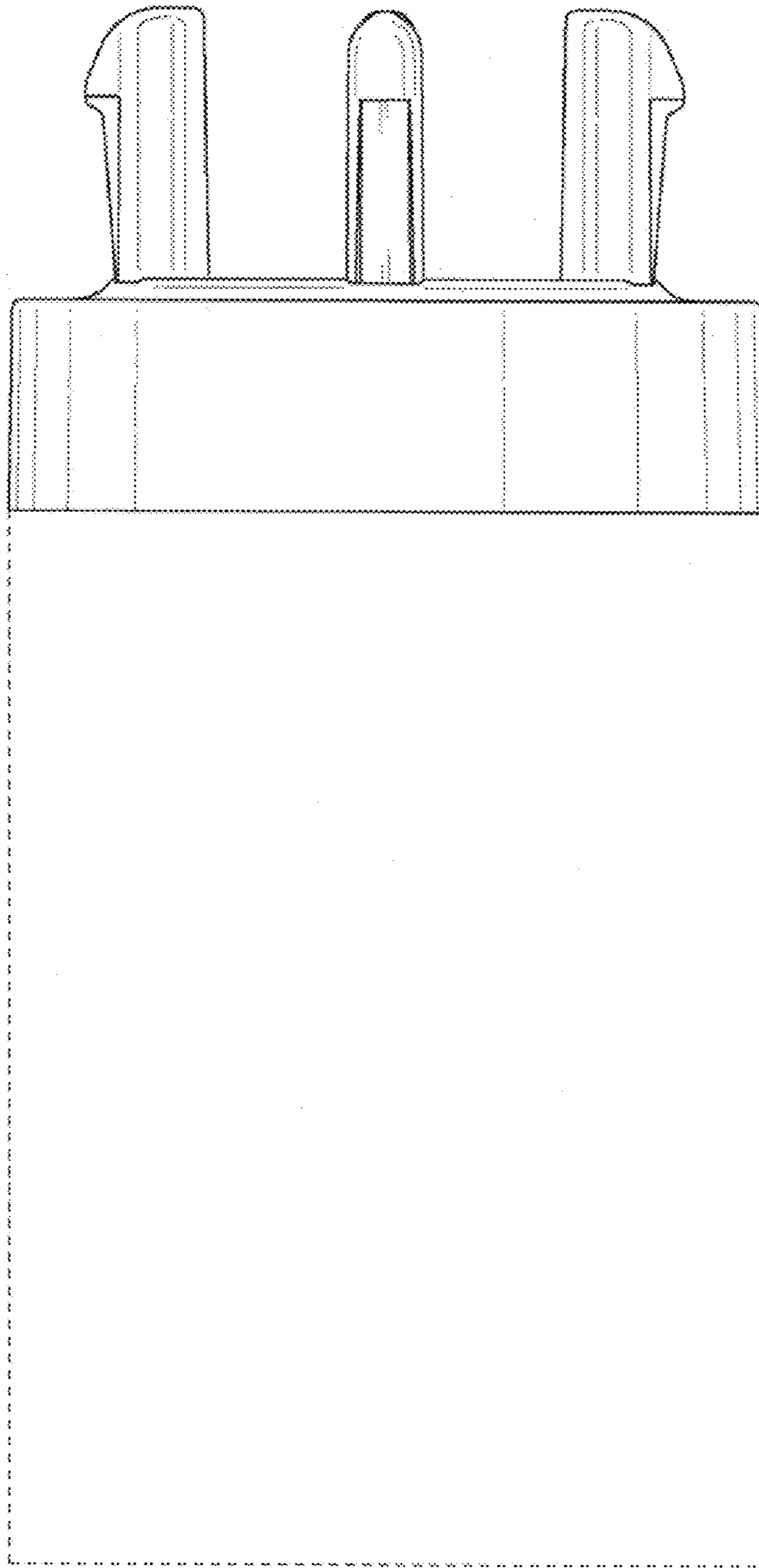


Fig. 11

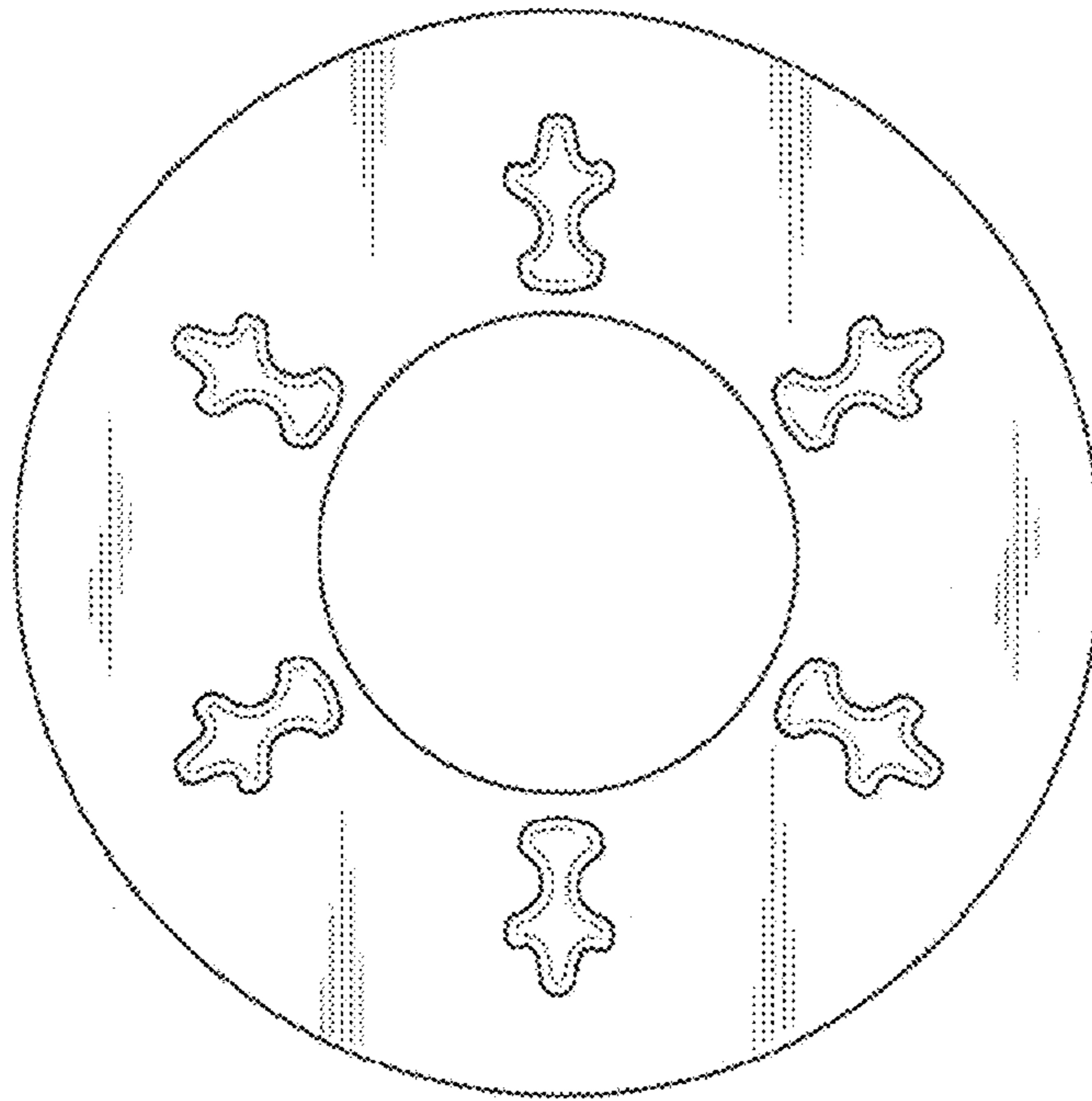


Fig. 12

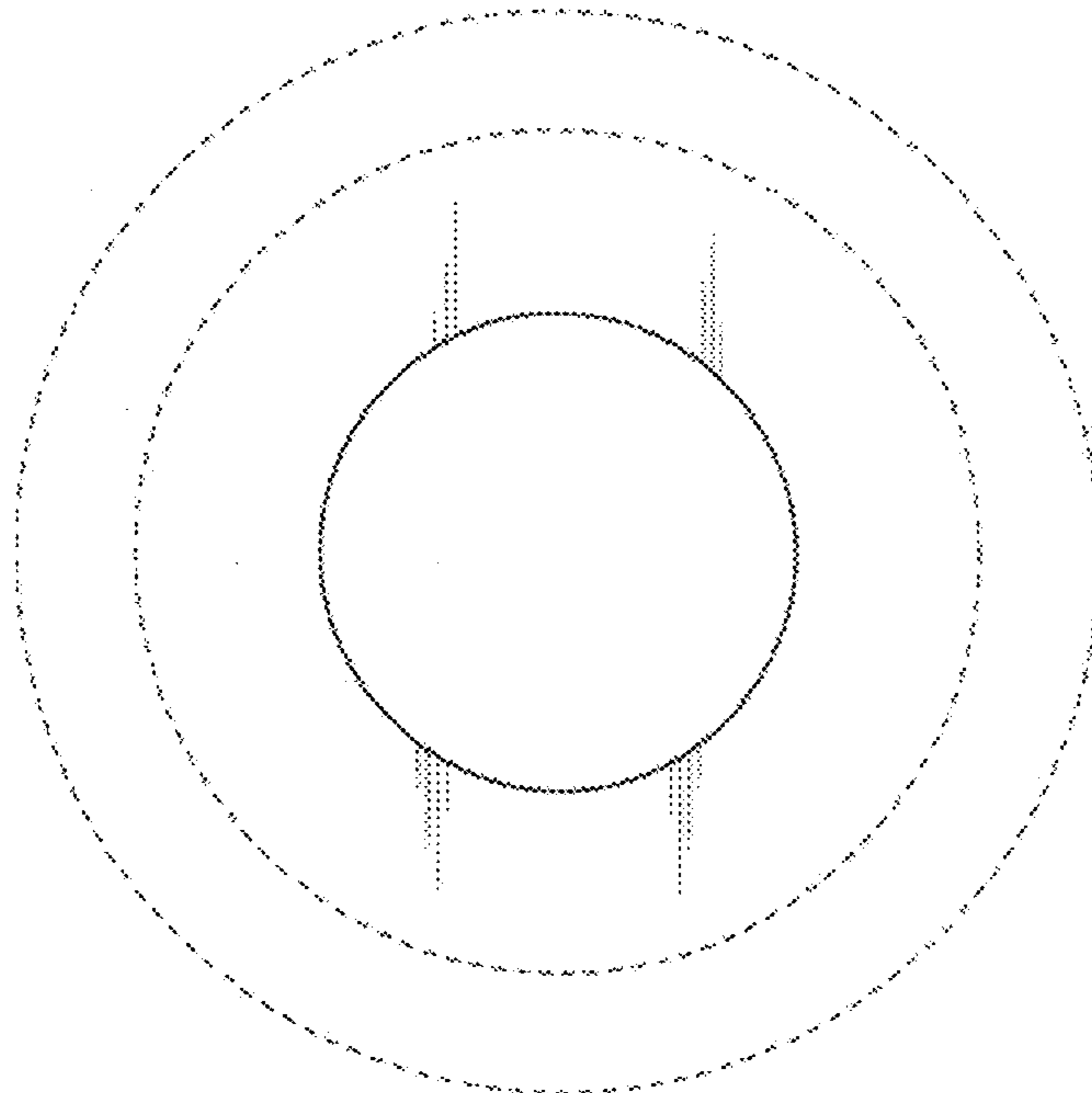


Fig. 13

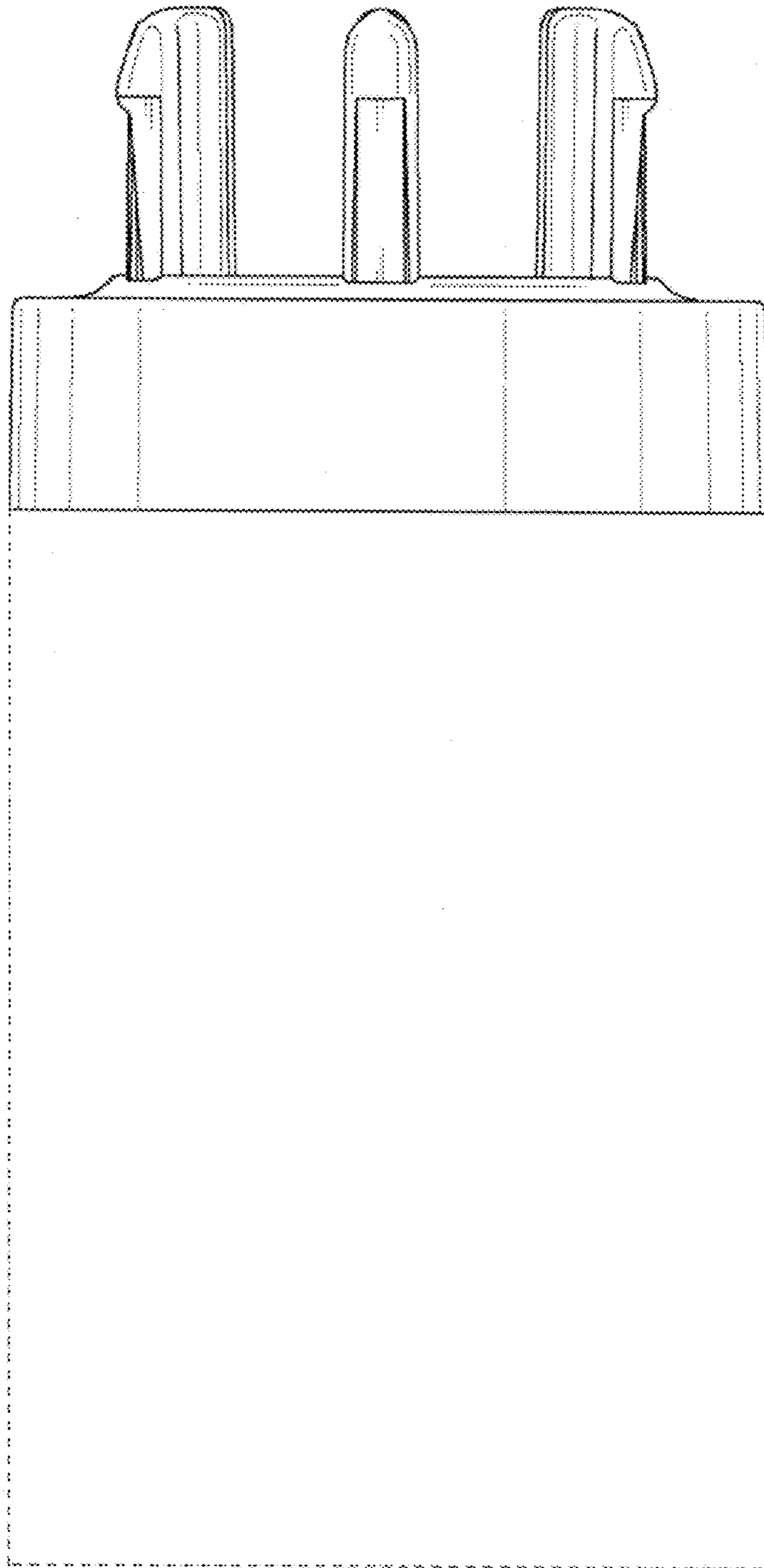


Fig. 14

