



US00D676068S

(12) **United States Design Patent**
Shimozono et al.

(10) **Patent No.:** **US D676,068 S**

(45) **Date of Patent:** **** Feb. 12, 2013**

(54) **METALLIC CORE OF RUBBER CRAWLER**

(75) Inventors: **Nobuo Shimozono**, Tokyo (JP); **Kaoru Okada**, Tokyo (JP)

(73) Assignee: **Bridgestone Corporation**, Tokyo (JP)

(**) Term: **14 Years**

(21) Appl. No.: **29/418,247**

(22) Filed: **Apr. 13, 2012**

(30) **Foreign Application Priority Data**

Oct. 25, 2011 (JP) 2011-024538

(51) **LOC (9) Cl.** **15-03**

(52) **U.S. Cl.** **D15/28**

(58) **Field of Classification Search** D15/22-26,
D15/28; 305/170-177, 159, 187, 189, 167,
305/165, 51, 111, 46, 198, 53, 204, 193
See application file for complete search history.

(56) **References Cited**

U.S. PATENT DOCUMENTS

4,678,244	A *	7/1987	Furuta et al.	305/175
5,308,155	A *	5/1994	Katoh	305/174
5,399,003	A *	3/1995	Katoh	305/171
5,403,643	A *	4/1995	Tsuru	428/120
5,522,654	A *	6/1996	Katoh	305/174
5,522,655	A *	6/1996	Katoh	305/174
5,997,110	A *	12/1999	Katoh et al.	305/169
6,106,083	A *	8/2000	Ono	305/171
7,413,268	B2 *	8/2008	Kato et al.	305/172
D587,728	S *	3/2009	Shimozono	D15/28
D588,167	S *	3/2009	Shimozono	D15/28
D588,168	S *	3/2009	Shimozono	D15/28
D618,255	S *	6/2010	Abiko	D15/28
2003/0025391	A1 *	2/2003	Ueno	305/157
2004/0075340	A1 *	4/2004	Watanabe et al.	305/177
2005/0001482	A1 *	1/2005	Ueno	305/177

2005/0218722	A1 *	10/2005	Kurokawa	305/171
2006/0061212	A1 *	3/2006	Uchiyama	305/167
2006/0163944	A1 *	7/2006	Tsuru et al.	305/165
2006/0279138	A1 *	12/2006	Kato et al.	305/177
2008/0129111	A1 *	6/2008	Pringiers	305/171

FOREIGN PATENT DOCUMENTS

JP	1349145	S	1/2009
KR	30-0259962-0001	S	8/2000
KR	30-0259962-0002	S	7/2011

OTHER PUBLICATIONS

Japanese Design Gazette dated Jun. 11, 2012 issued in the counter-part Japanese Design Application No. D2011-024538.

* cited by examiner

Primary Examiner — Mark Goodwin

(74) *Attorney, Agent, or Firm* — Sughrue Mion, PLLC

(57) **CLAIM**

The ornamental design for a metallic core of rubber crawler, as shown and described.

DESCRIPTION

FIG. 1 is a perspective view of a metallic core of rubber crawler showing our new design;

FIG. 2 is a front view, the rear view being a mirror image thereof;

FIG. 3 is a top view thereof;

FIG. 4 is a right side view, the left side view being a mirror image thereof;

FIG. 5 is a bottom view thereof;

FIG. 6 is a sectional view taken along the line 6-6 in FIG. 2 thereof;

FIG. 7 is a sectional view taken along the line 7-7 in FIG. 2 thereof; and,

FIG. 8 is a sectional view taken along the line 8-8 in FIG. 2.

1 Claim, 8 Drawing Sheets

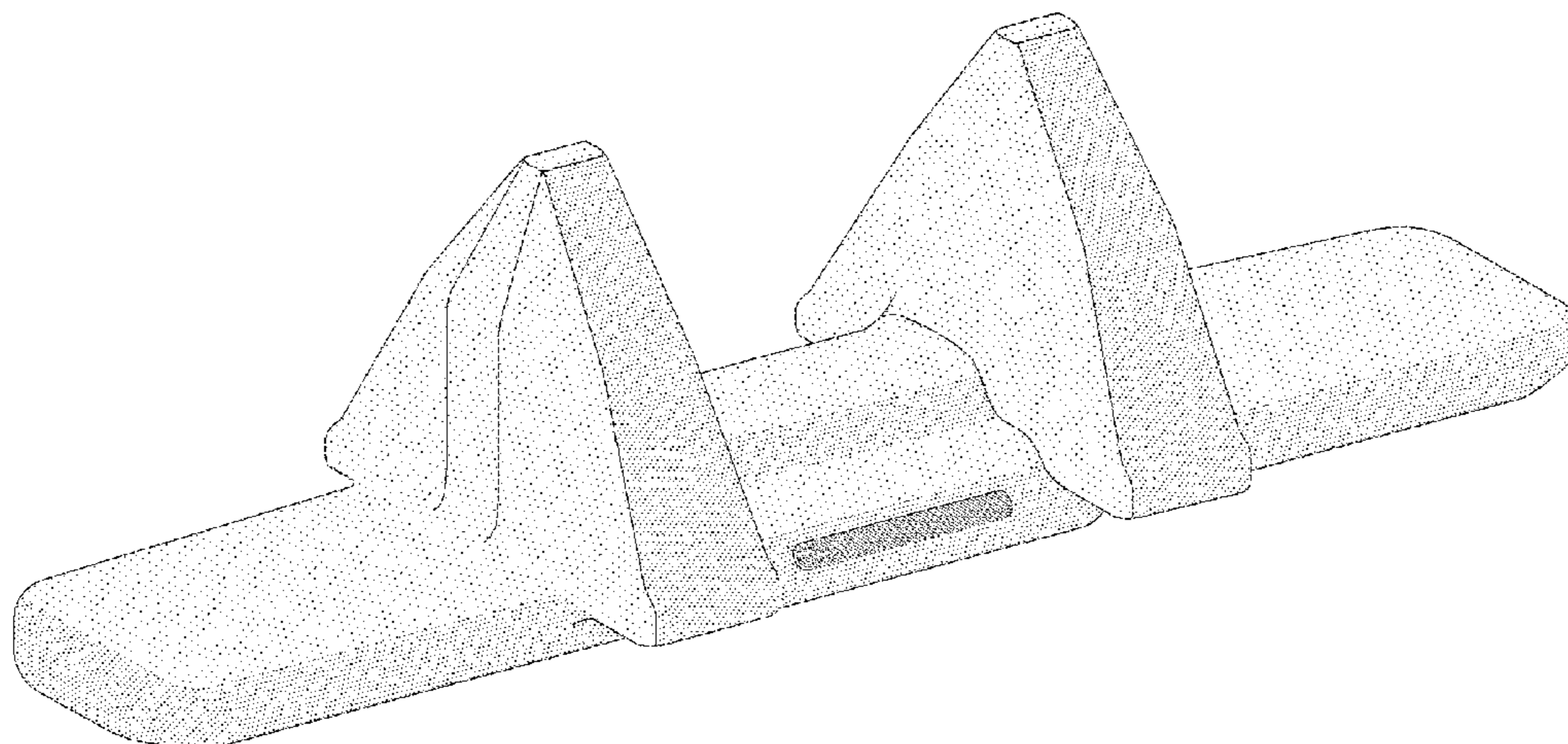


Fig. 1

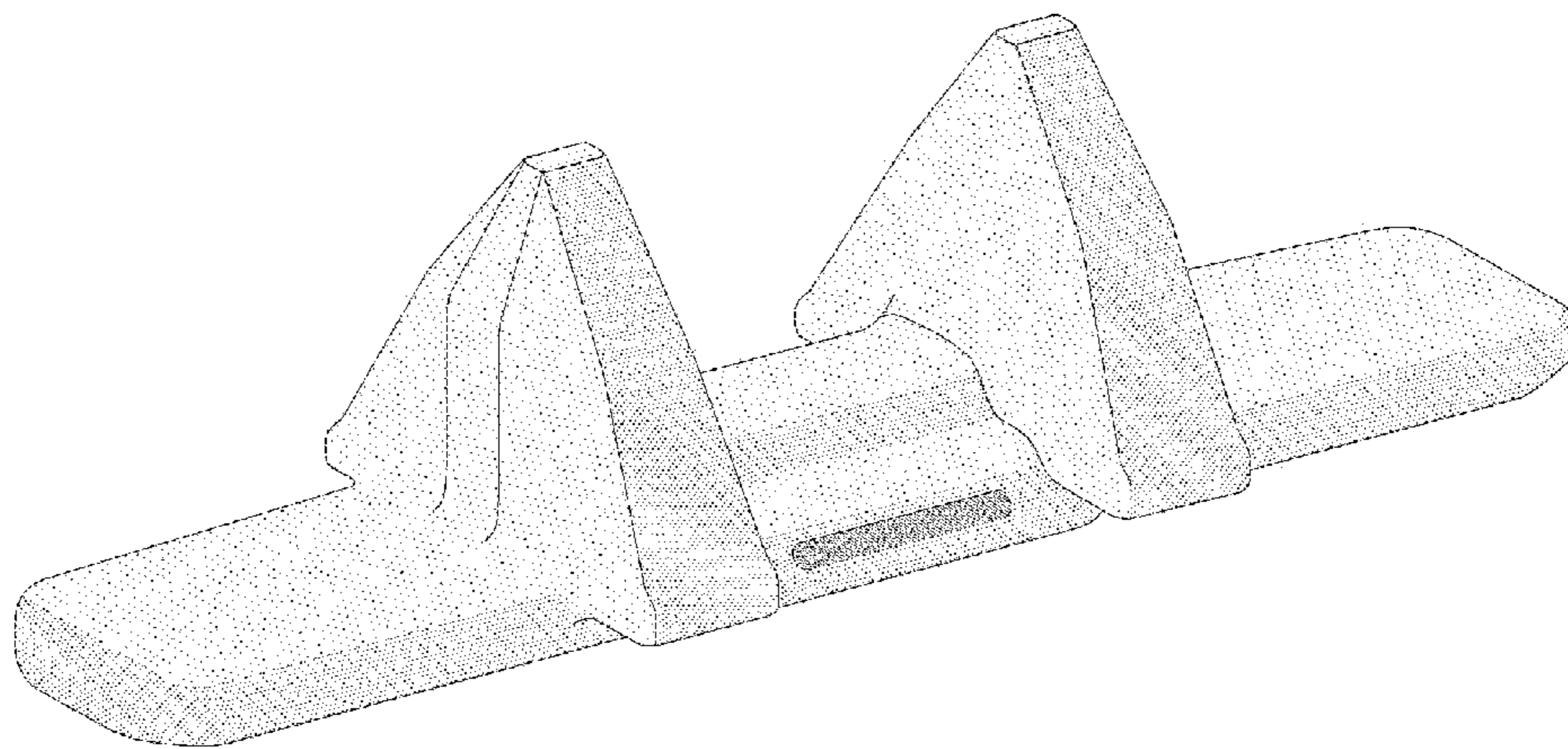


Fig. 2

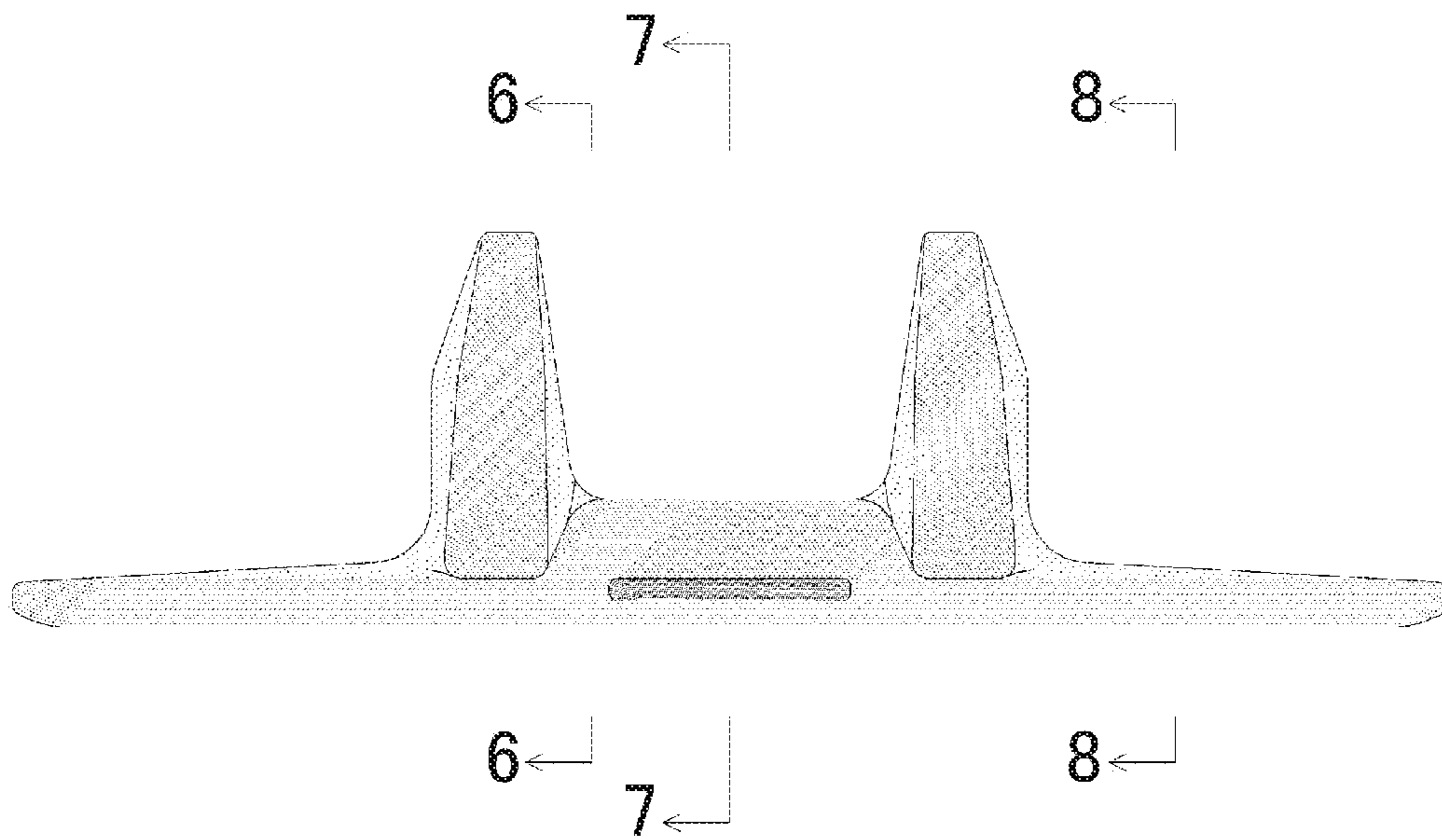


Fig. 3

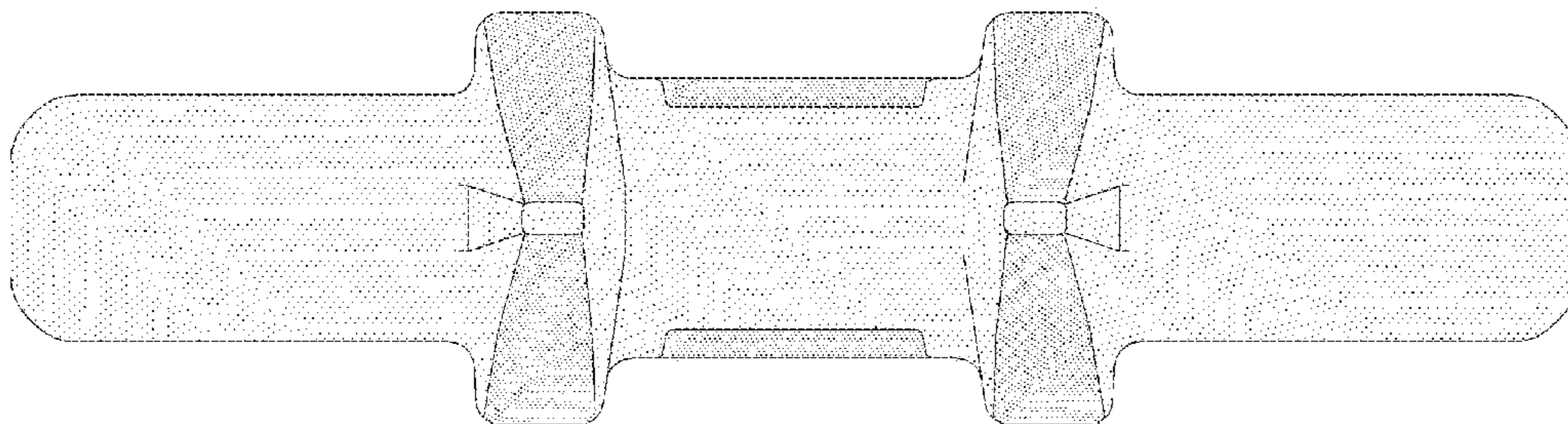


Fig. 4

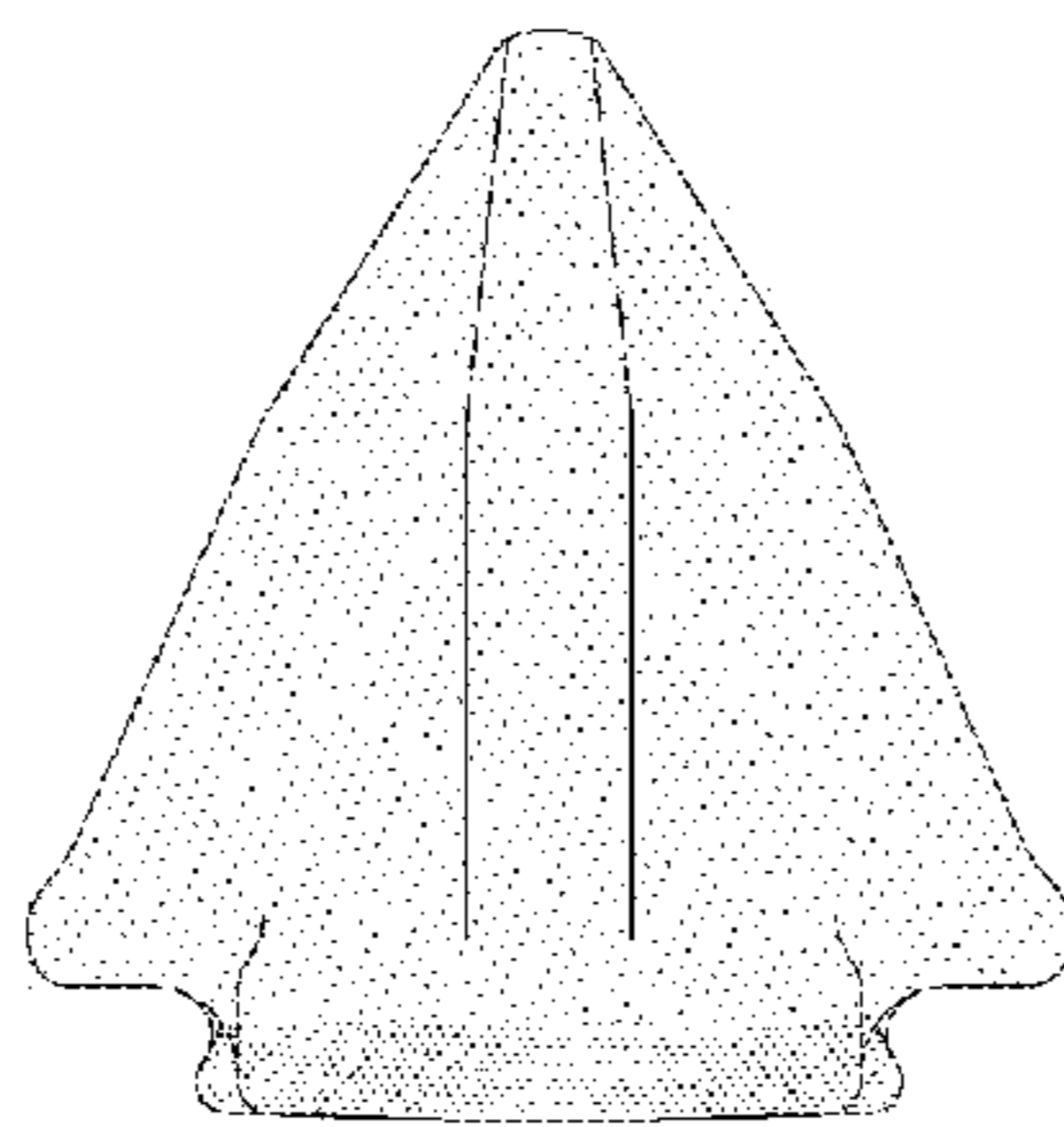


Fig. 5

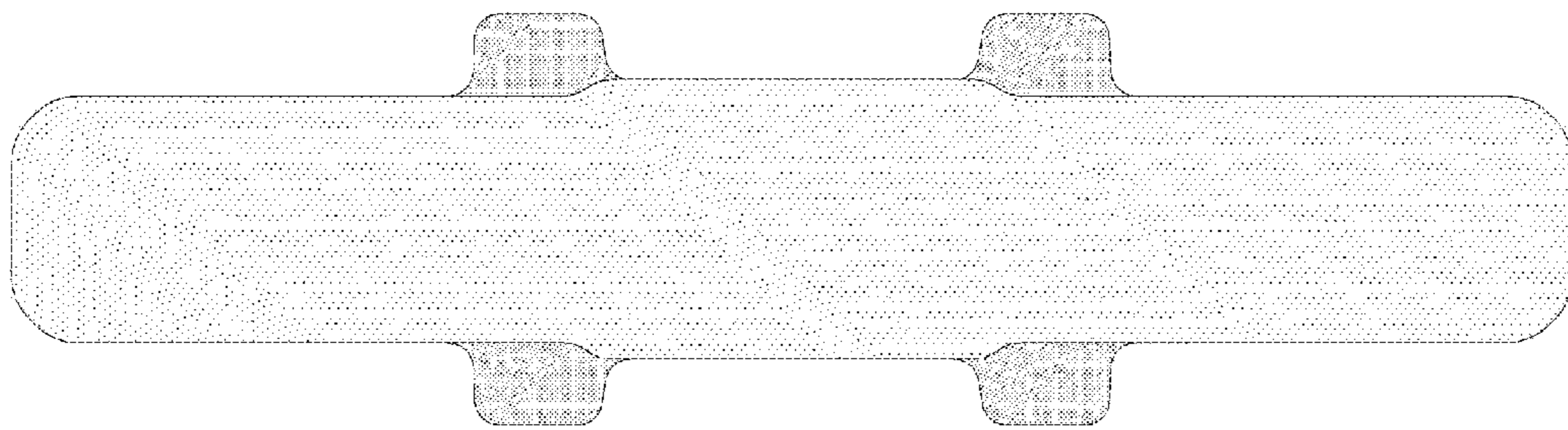


Fig. 6

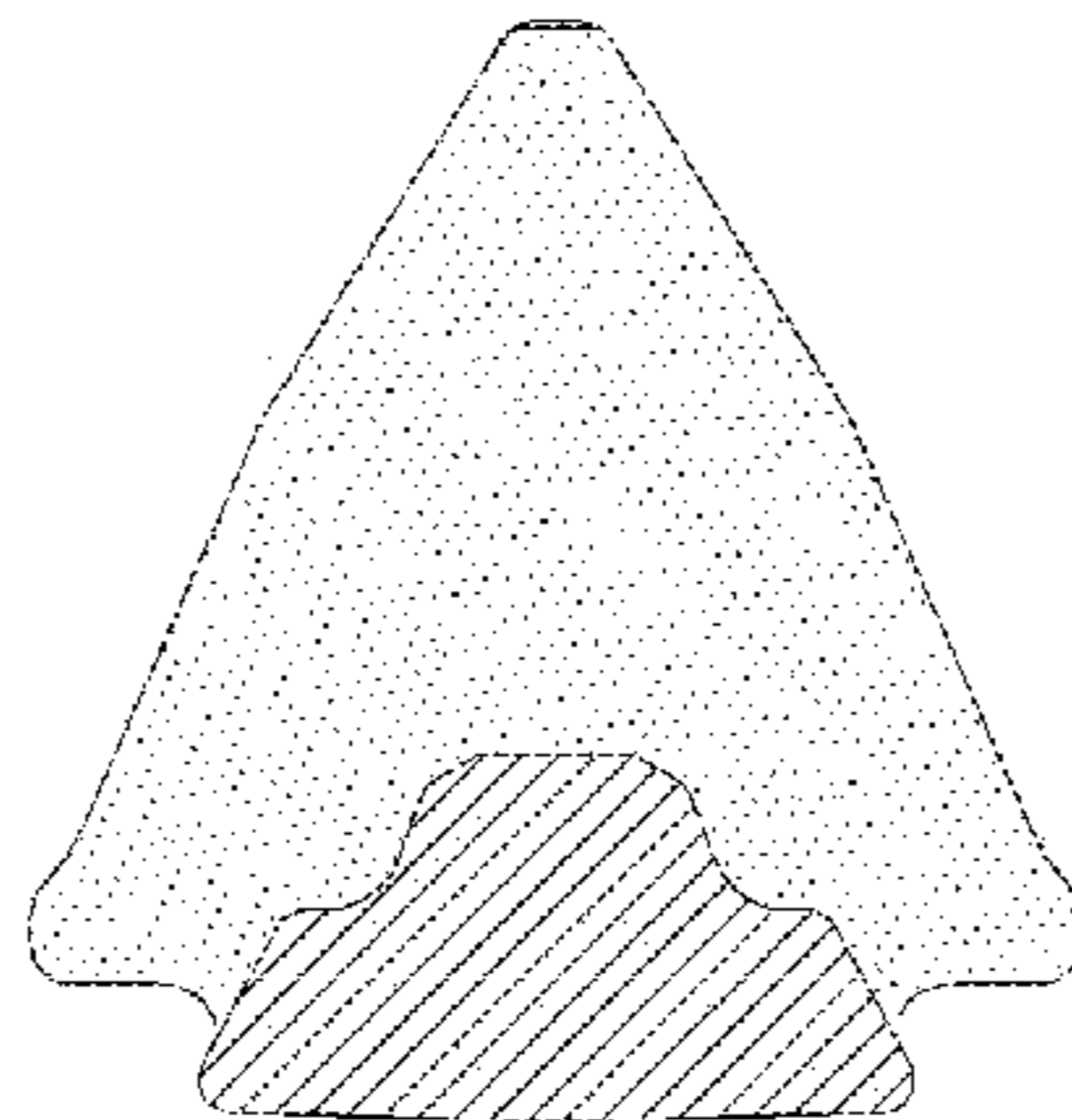


Fig. 7

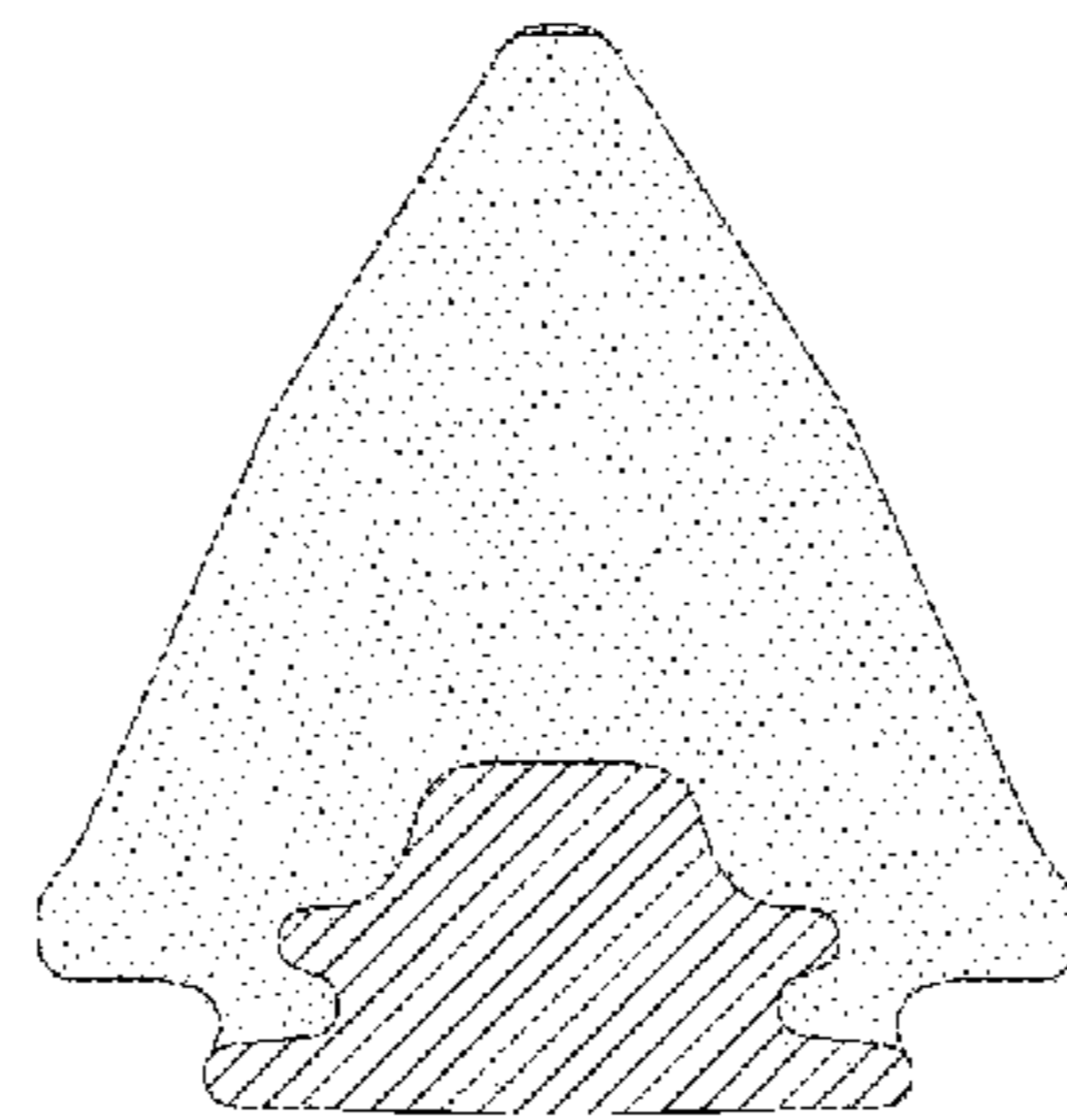


Fig. 8

