



US00D676063S

(12) **United States Design Patent**  
**Soja**

(10) **Patent No.:** **US D676,063 S**

(45) **Date of Patent:** **\*\* Feb. 12, 2013**

(54) **DIAPHRAGM PUMP WITH MOTOR**

(75) Inventor: **Marc Johnson Soja**, Toronto (CA)

(73) Assignee: **Marc Johnson Soja**, Toronto, Ont. (CA)

(\*\*) Term: **14 Years**

(21) Appl. No.: **29/417,560**

(22) Filed: **Apr. 5, 2012**

(51) **LOC (9) Cl.** ..... **15-02**

(52) **U.S. Cl.** ..... **D15/7**

(58) **Field of Classification Search** ..... D15/7-9;  
D23/231, 232, 225; 417/410.1, 359, 415-416,  
417/234, 321, 265, 405

See application file for complete search history.

(56) **References Cited**

**U.S. PATENT DOCUMENTS**

D328,304 S *	7/1992	Frohn et al. ....	D15/7
D388,797 S *	1/1998	Conti et al. ....	D15/7
D450,327 S *	11/2001	Mori et al. ....	D15/7
D466,522 S *	12/2002	Huang .....	D15/7
D471,561 S *	3/2003	Kohsaka .....	D15/7
D485,565 S *	1/2004	Martinello .....	D15/7
D558,232 S *	12/2007	Wang .....	D15/7
D573,609 S *	7/2008	Bilger .....	D15/7
D591,310 S *	4/2009	Soja .....	D15/7

\* cited by examiner

*Primary Examiner* — R. Seifert

(74) *Attorney, Agent, or Firm* — Marc Johnson Soja

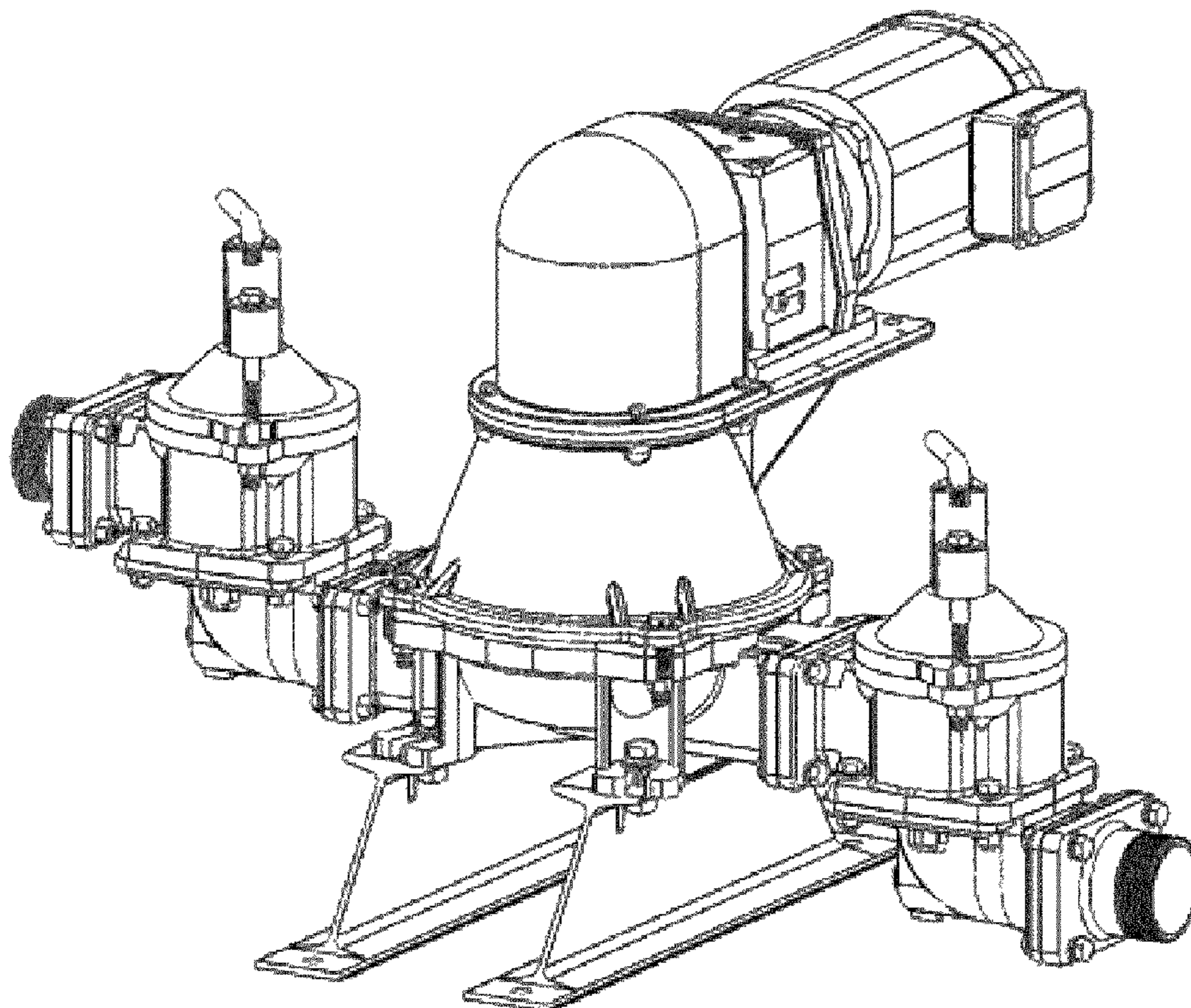
(57) **CLAIM**

The ornamental design for a diaphragm pump with motor, as shown and described.

**DESCRIPTION**

FIG. 1 is a front elevational view of a diaphragm pump with motor showing my new design;  
 FIG. 2 is a left side elevational view thereof;  
 FIG. 3 is a rear elevational view thereof;  
 FIG. 4 is a right side elevational view thereof;  
 FIG. 5 is a top plan view thereof;  
 FIG. 6 is a bottom plan view thereof;  
 FIG. 7 is a diagonal front perspective view seen from left side thereof;  
 FIG. 8 is a diagonal front perspective view seen from right side thereof;  
 FIG. 9 is a diagonal rear perspective view seen from right side thereof; and,  
 FIG. 10 is a diagonal rear perspective view seen from left side thereof.

**1 Claim, 10 Drawing Sheets**



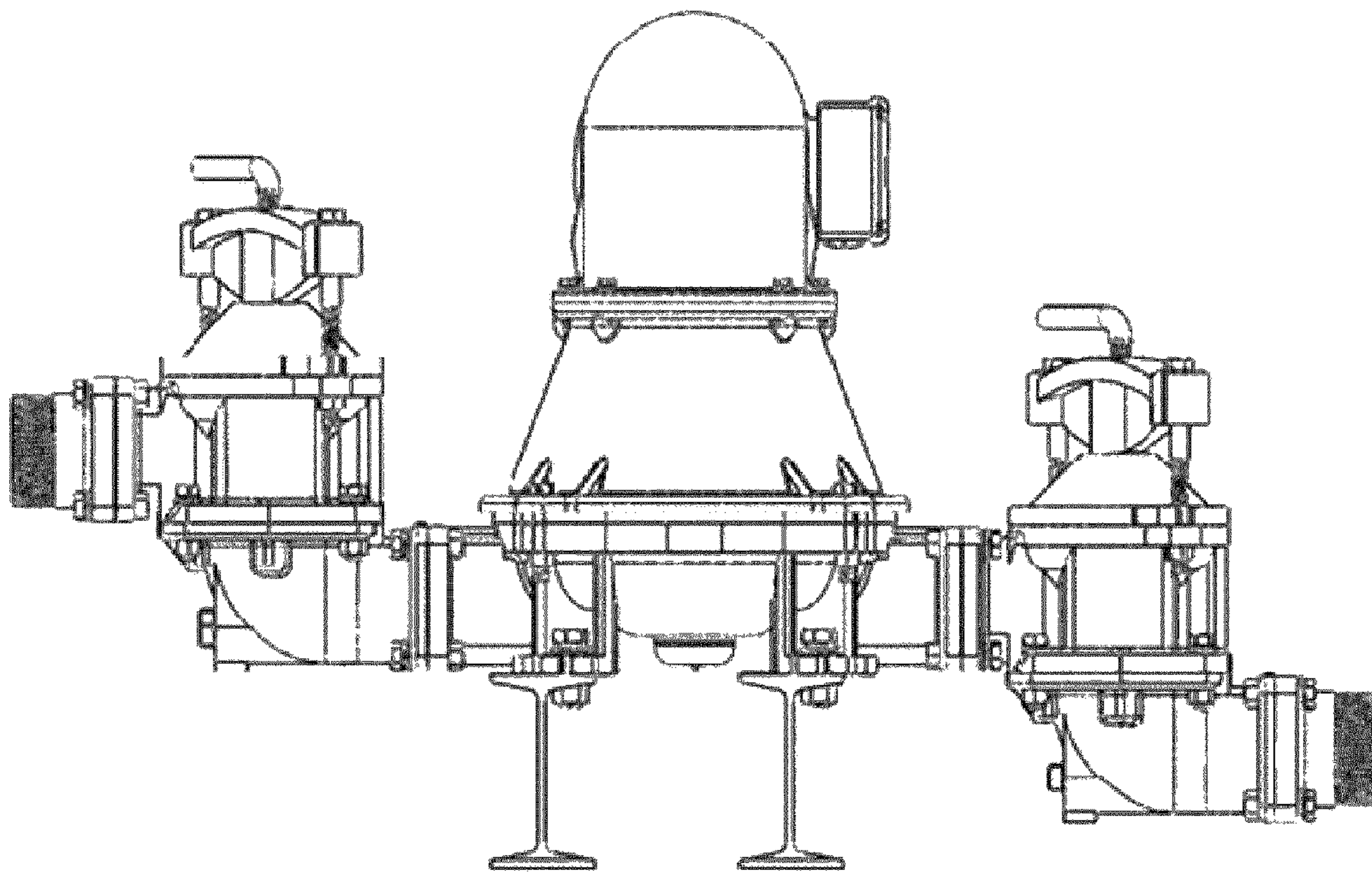


Fig. 1



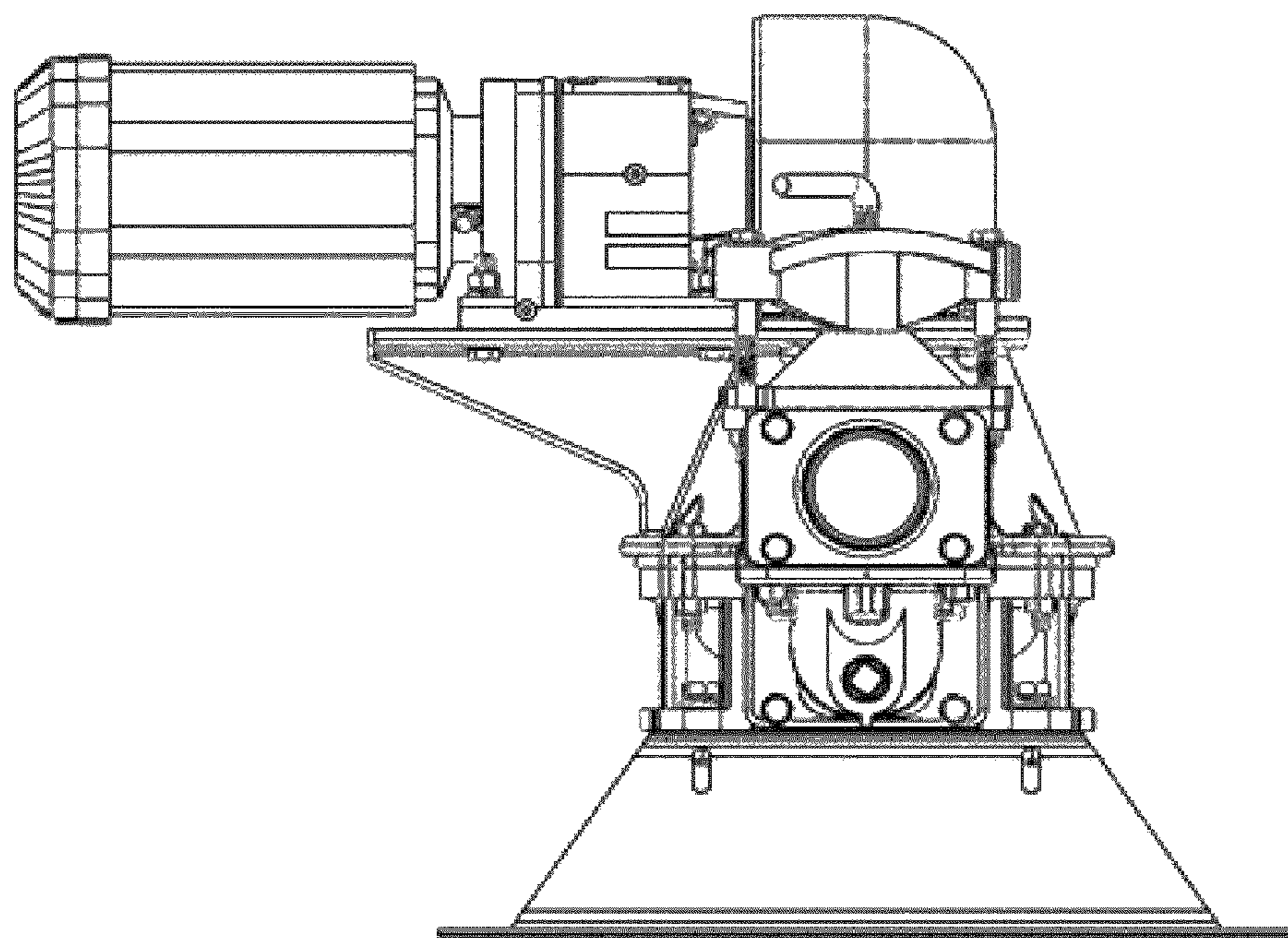


Fig. 2

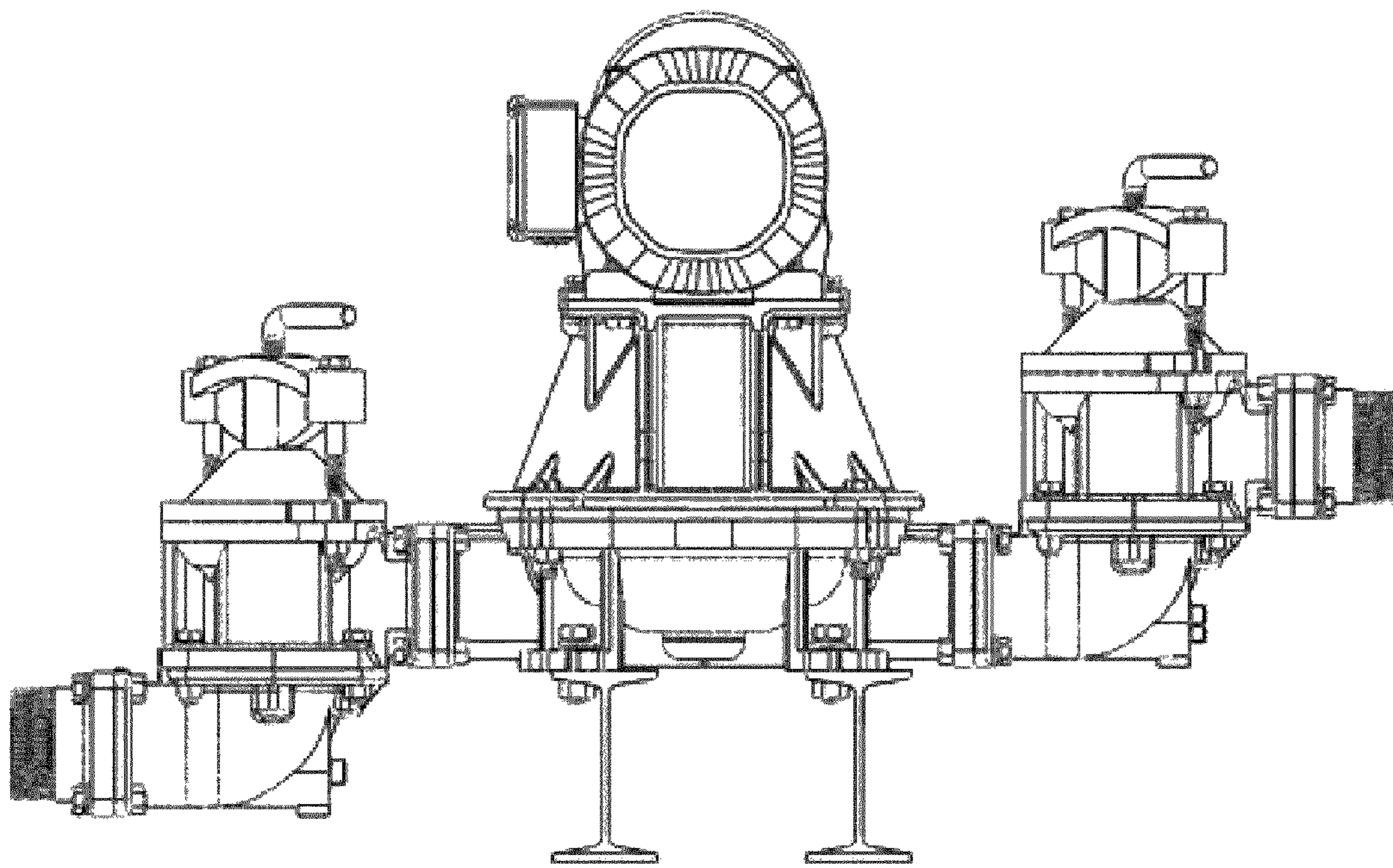


Fig. 3

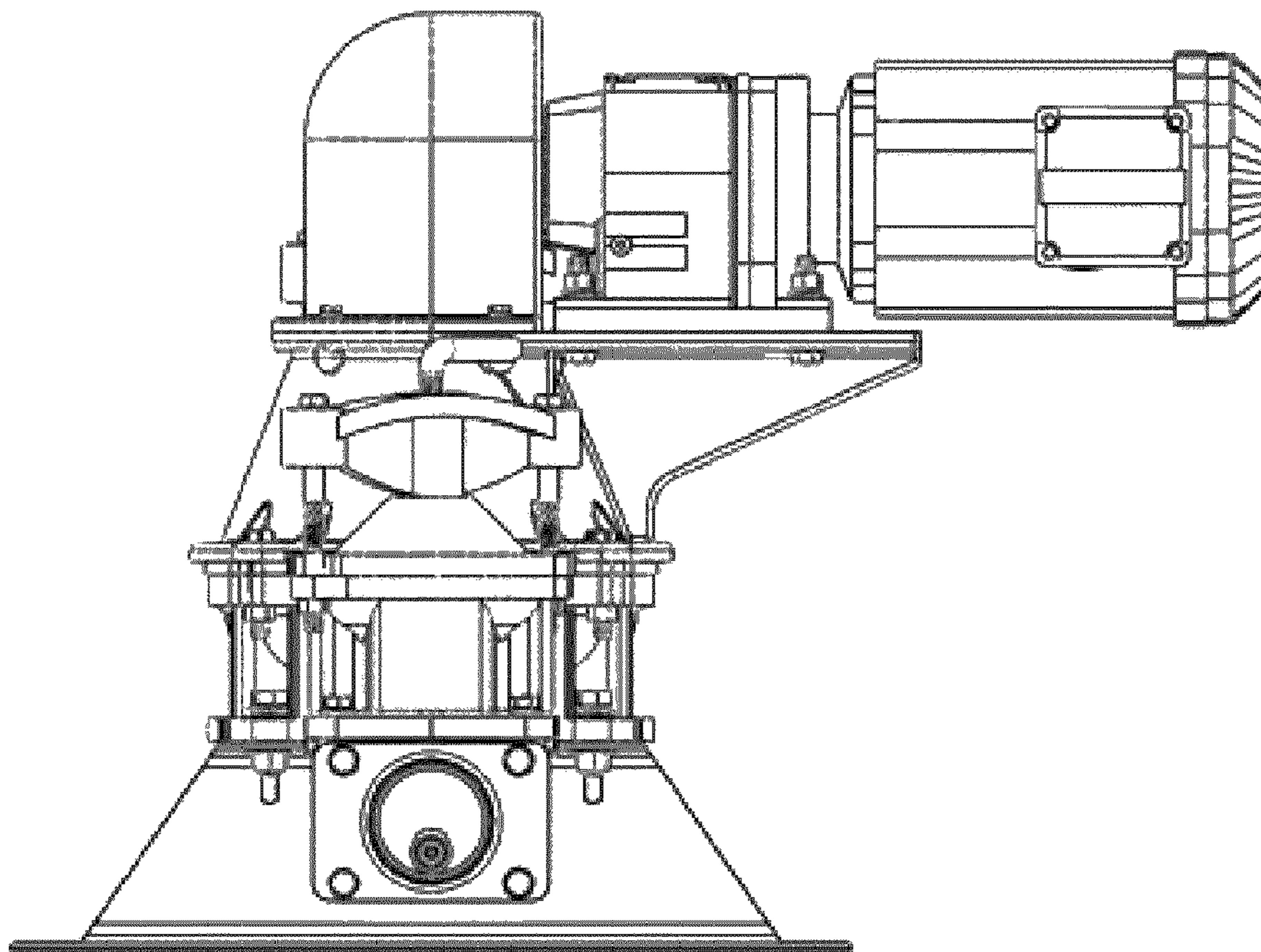


Fig. 4



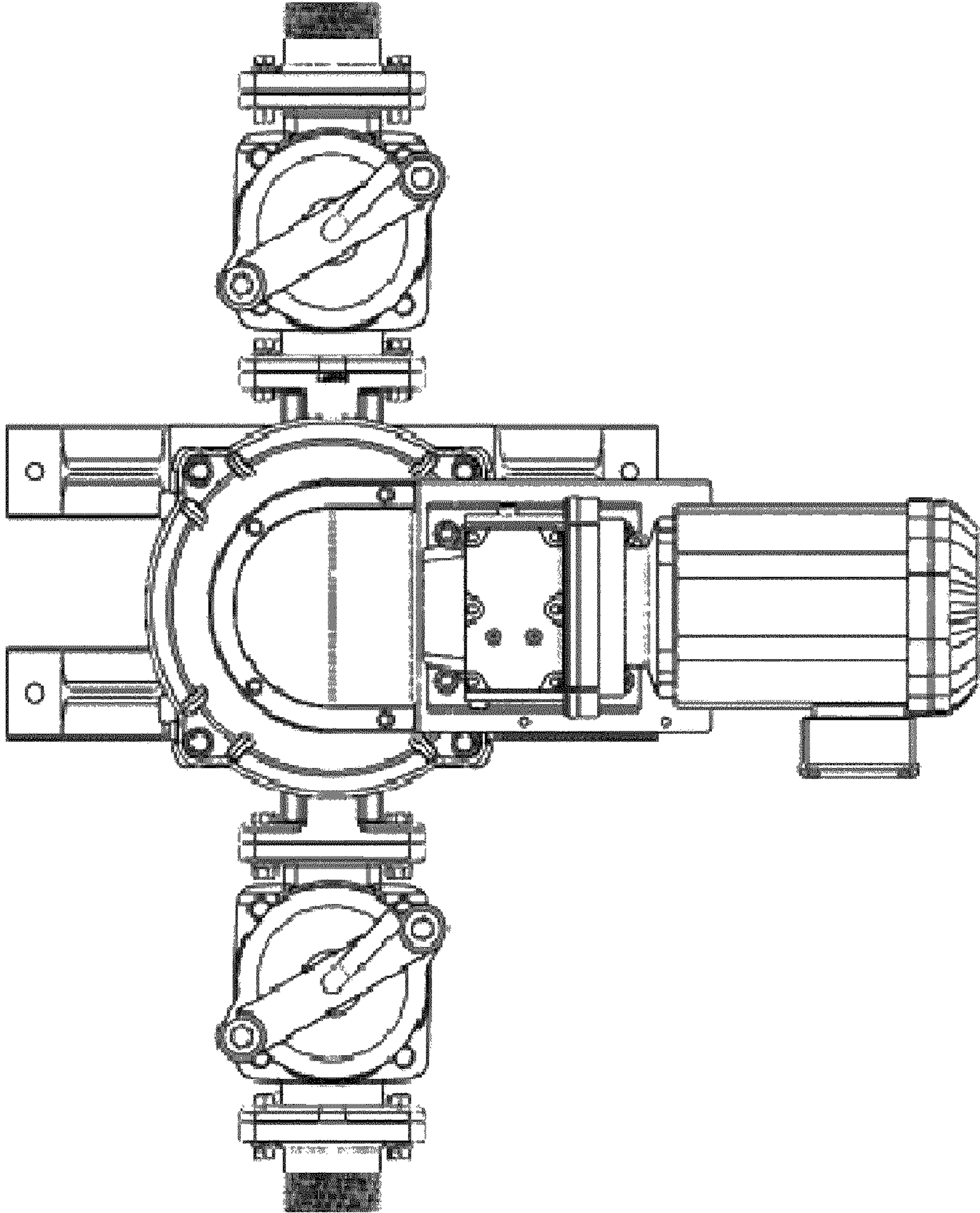


Fig.5

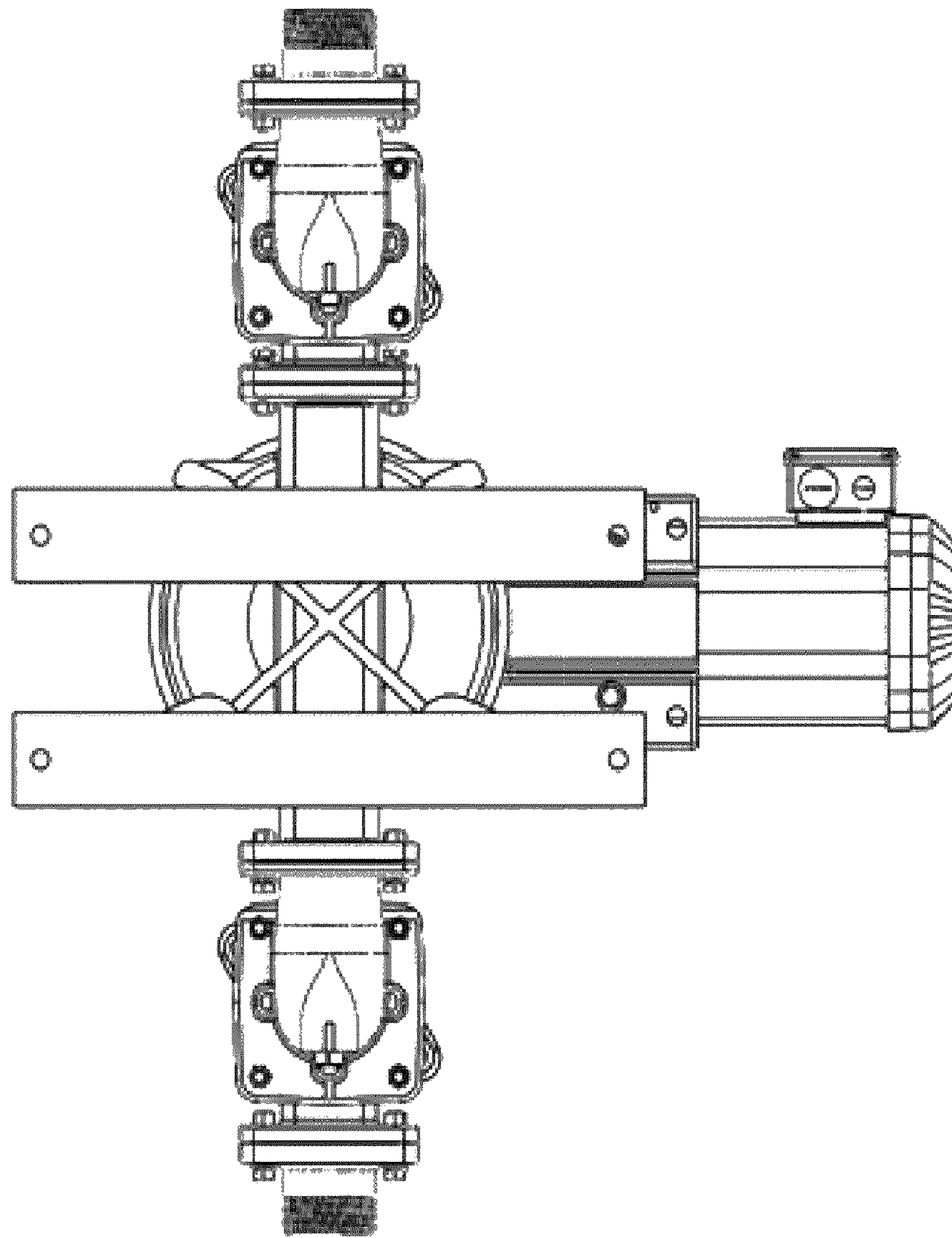


Fig.6



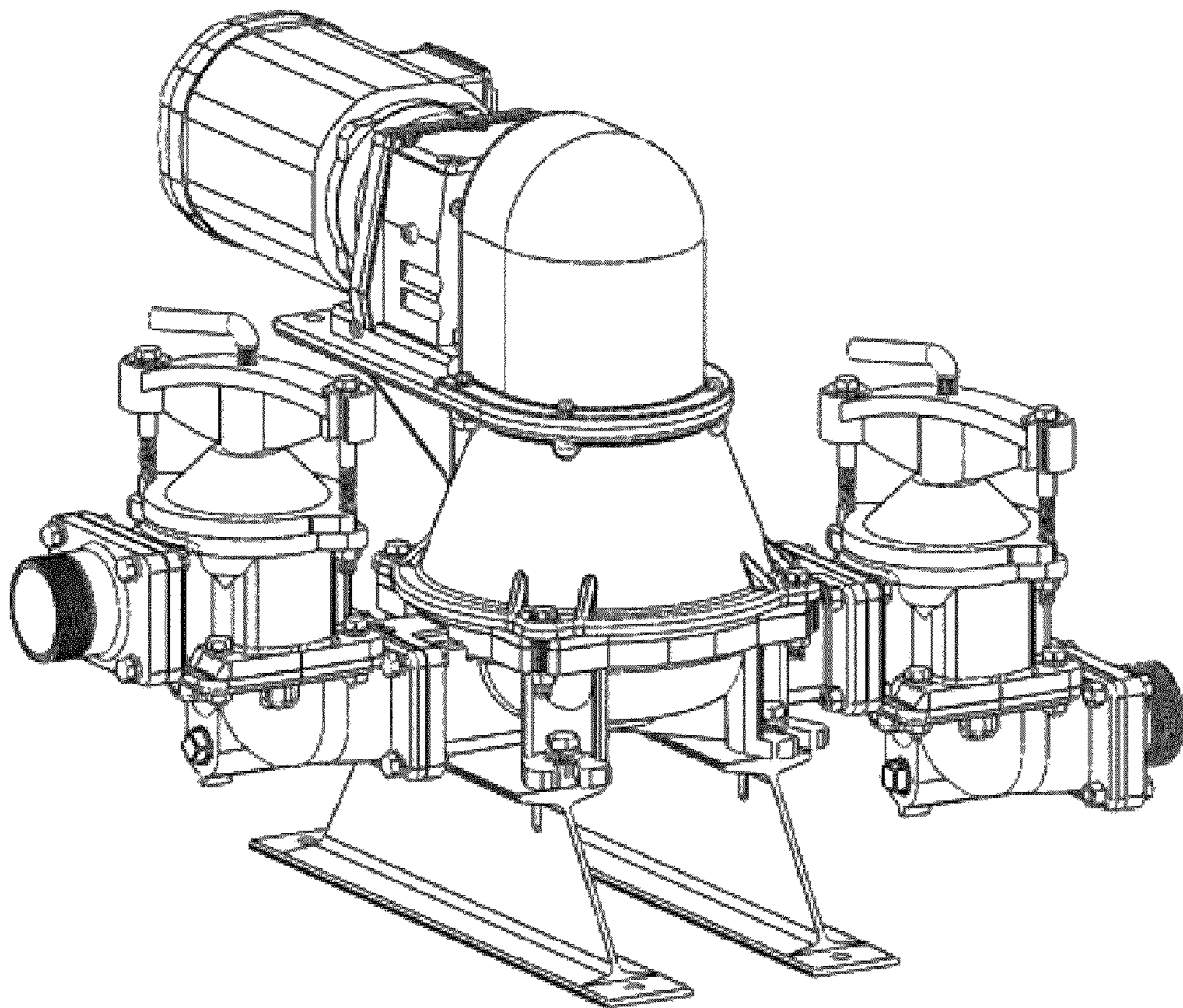


Fig. 7



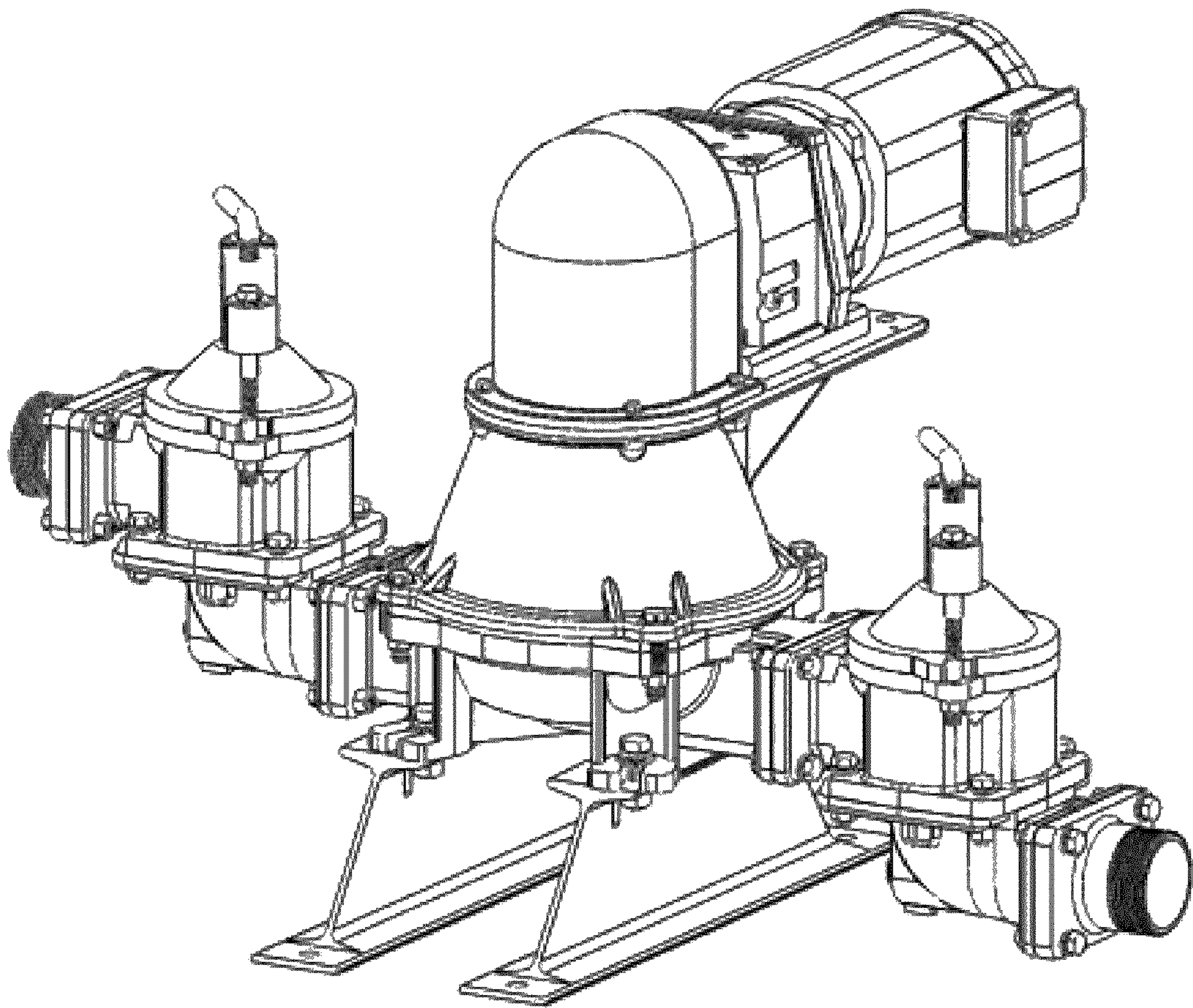


Fig. 8

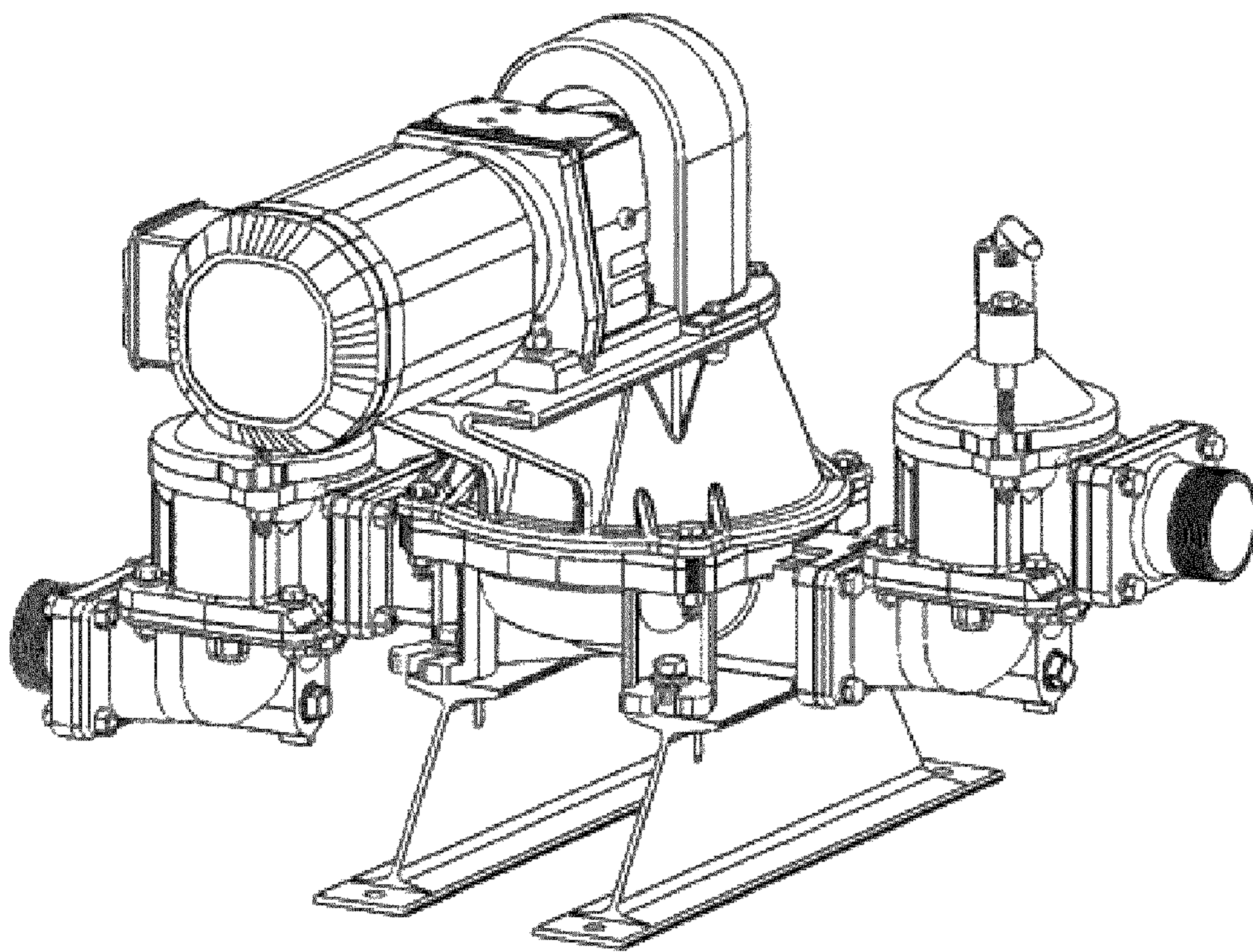


Fig. 9



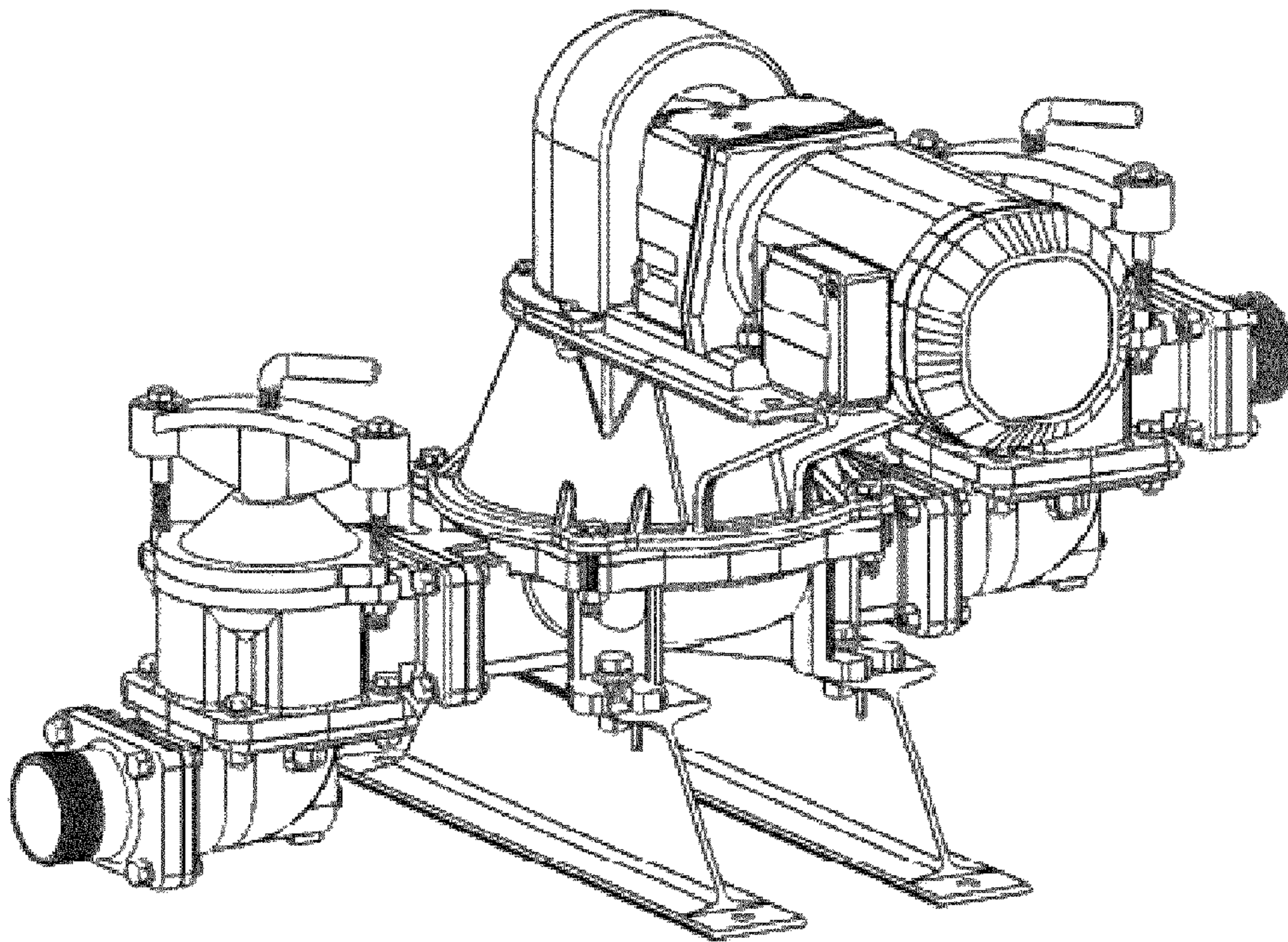


Fig. 10