



US00D676062S

(12) **United States Design Patent**
Flatley et al.

(10) **Patent No.:** **US D676,062 S**
(45) **Date of Patent:** **** Feb. 12, 2013**

(54) **FILTER BANK ASSEMBLY**

(75) Inventors: **Zachary T Flatley**, Cuba City, IA (US);
Richard J Ginsterblum, Dubuque, IA
(US); **Scott W Zimmerman**, Peosta, IA
(US); **Aaron R. Kenkel**, East Dubuque,
IL (US)

(73) Assignee: **Deere & Company**, Moline, IL (US)

(**) Term: **14 Years**

(21) Appl. No.: **29/419,388**

(22) Filed: **Apr. 27, 2012**

(51) **LOC (9) Cl.** **15-01**

(52) **U.S. Cl.** **D15/5**

(58) **Field of Classification Search** D15/5;
D23/209, 208, 207, 365; 210/117, 232, 234,
210/236; D12/93, 94, 95, 96, 97

See application file for complete search history.

(56) **References Cited**

U.S. PATENT DOCUMENTS

5,972,063	A *	10/1999	Dudrey et al.	55/485
6,436,282	B1 *	8/2002	Gundrum et al.	210/117
D547,826	S *	7/2007	Kennedy et al.	D23/209
D610,650	S *	2/2010	Kulikov et al.	D23/209
7,909,999	B2 *	3/2011	Noh et al.	210/236
2010/0044295	A1 *	2/2010	Honermann et al.	210/234

2010/0163477	A1 *	7/2010	Noh et al.	210/236
2011/0120928	A1 *	5/2011	Schmitt	210/232
2012/0006737	A1 *	1/2012	Jiang et al.	210/232

* cited by examiner

Primary Examiner — T. Chase Nelson

Assistant Examiner — Ania Aman

(57) **CLAIM**

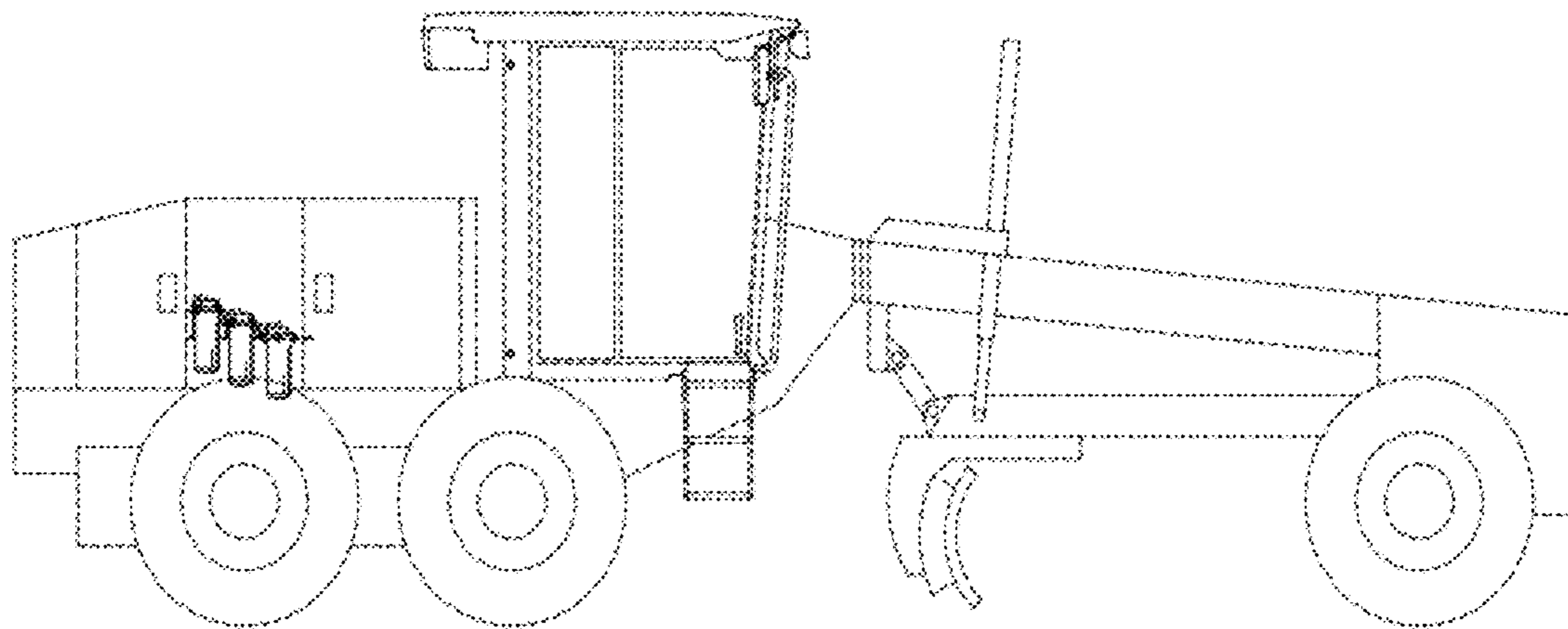
The ornamental design for a filter bank assembly, as shown and described.

DESCRIPTION

FIG. 1 is a right side view of the filter bank assembly;
FIG. 2 is a perspective view of the front, top and right side thereof;
FIG. 3 is a perspective view of the rear, top and left side thereof;
FIG. 4 is another right side view thereof;
FIG. 5 is a left side view thereof;
FIG. 6 is a front view thereof;
FIG. 7 is a rear view thereof;
FIG. 8 is a top planar view thereof; and,
FIG. 9 is a bottom planar view thereof.

The broken lines shown in the drawings are included for the purpose of illustrating environmental structure and portions of the article that form no part of the claimed design.

1 Claim, 8 Drawing Sheets



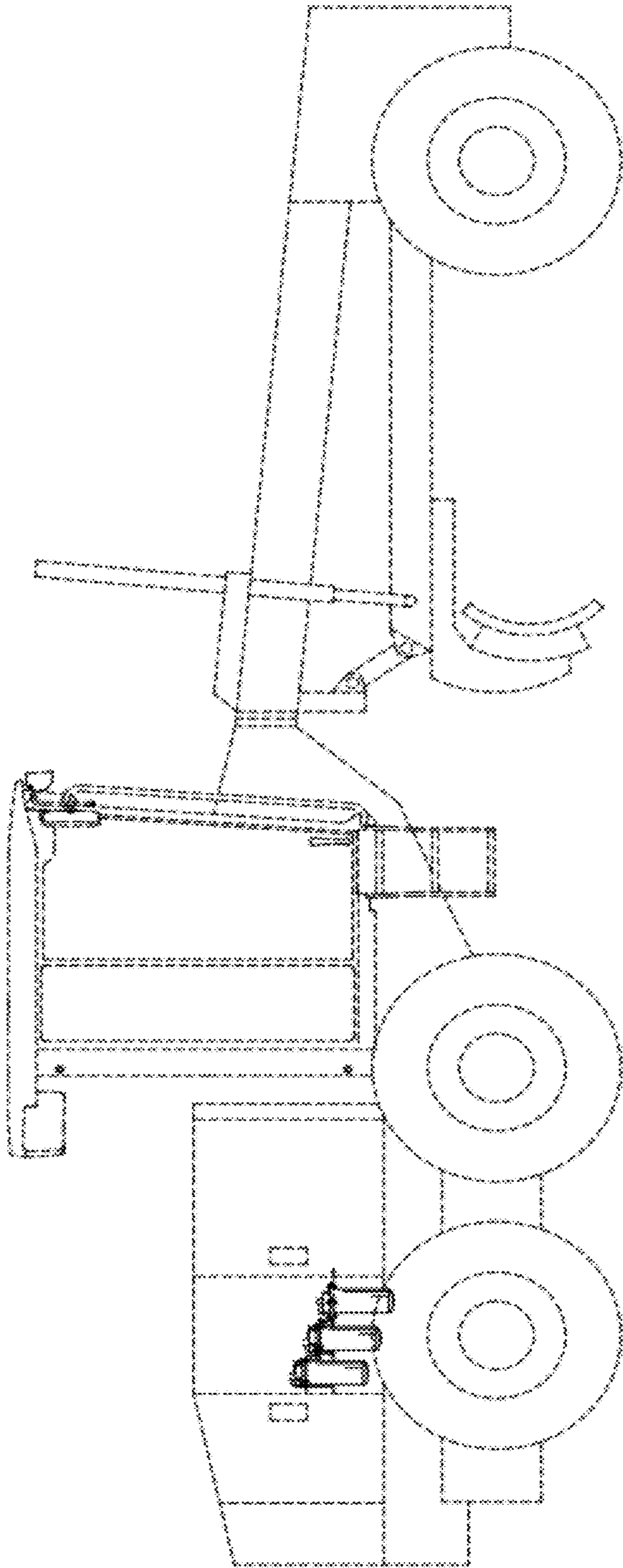


FIG. 1

FIG. 2

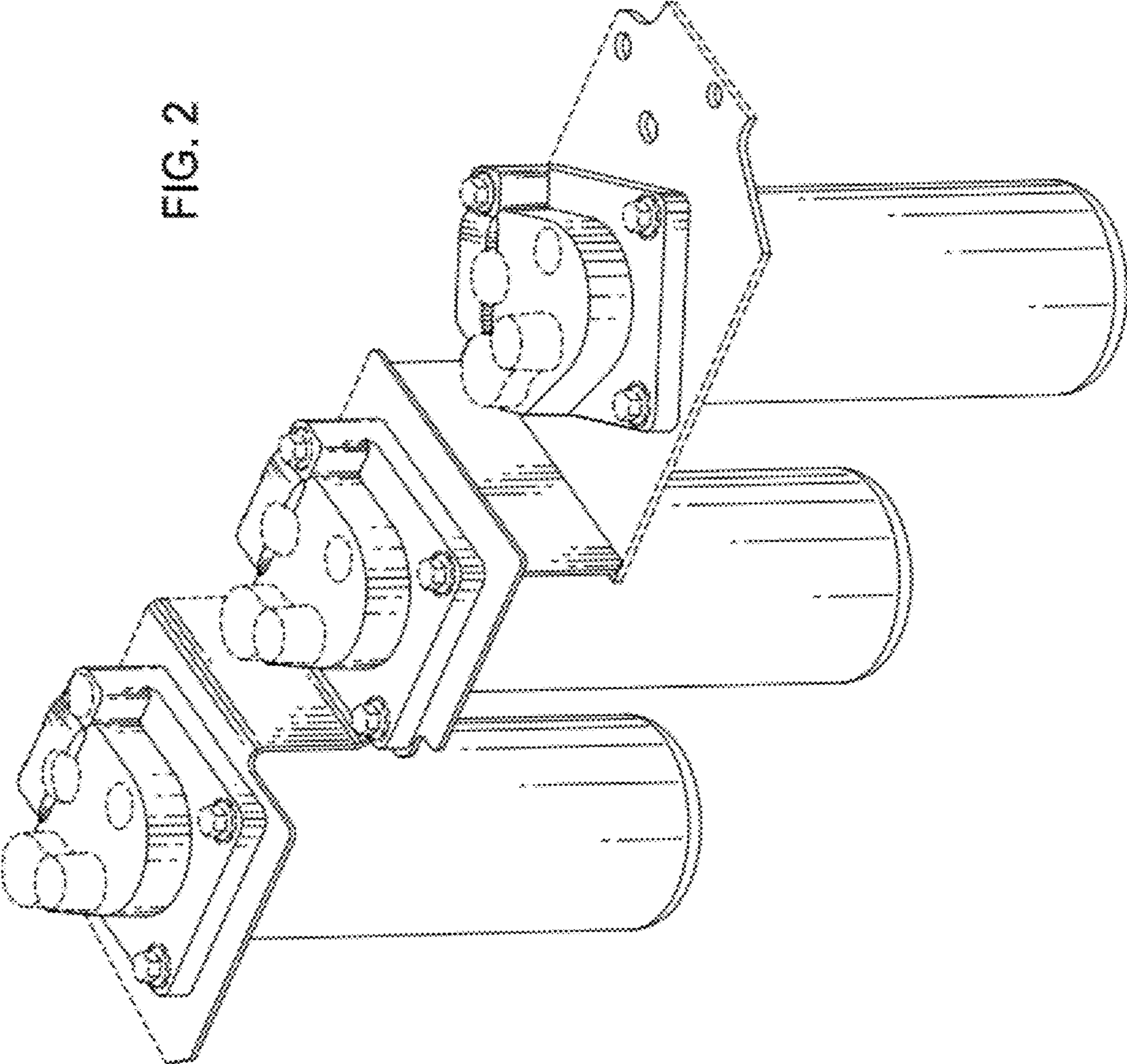


FIG. 3

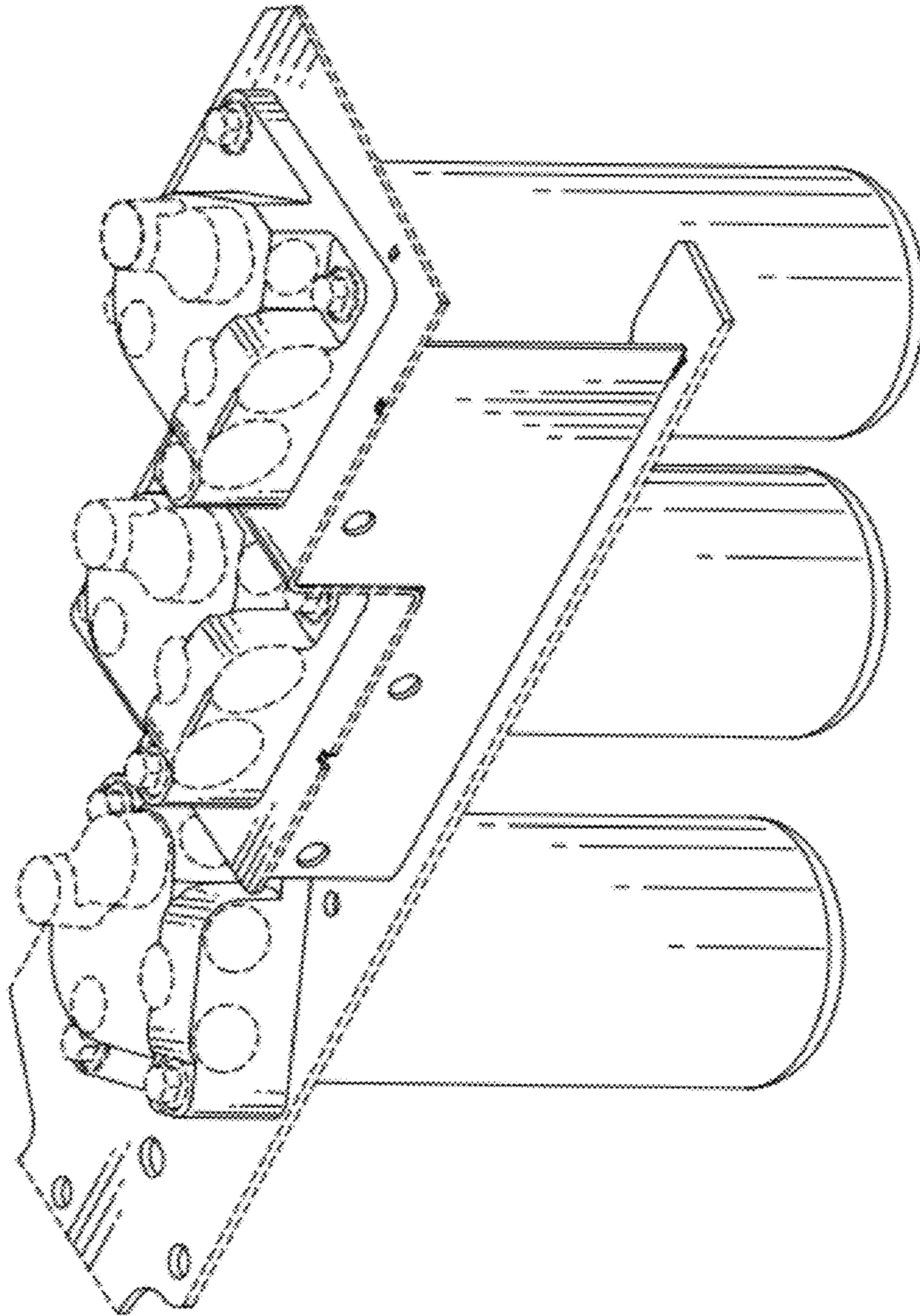
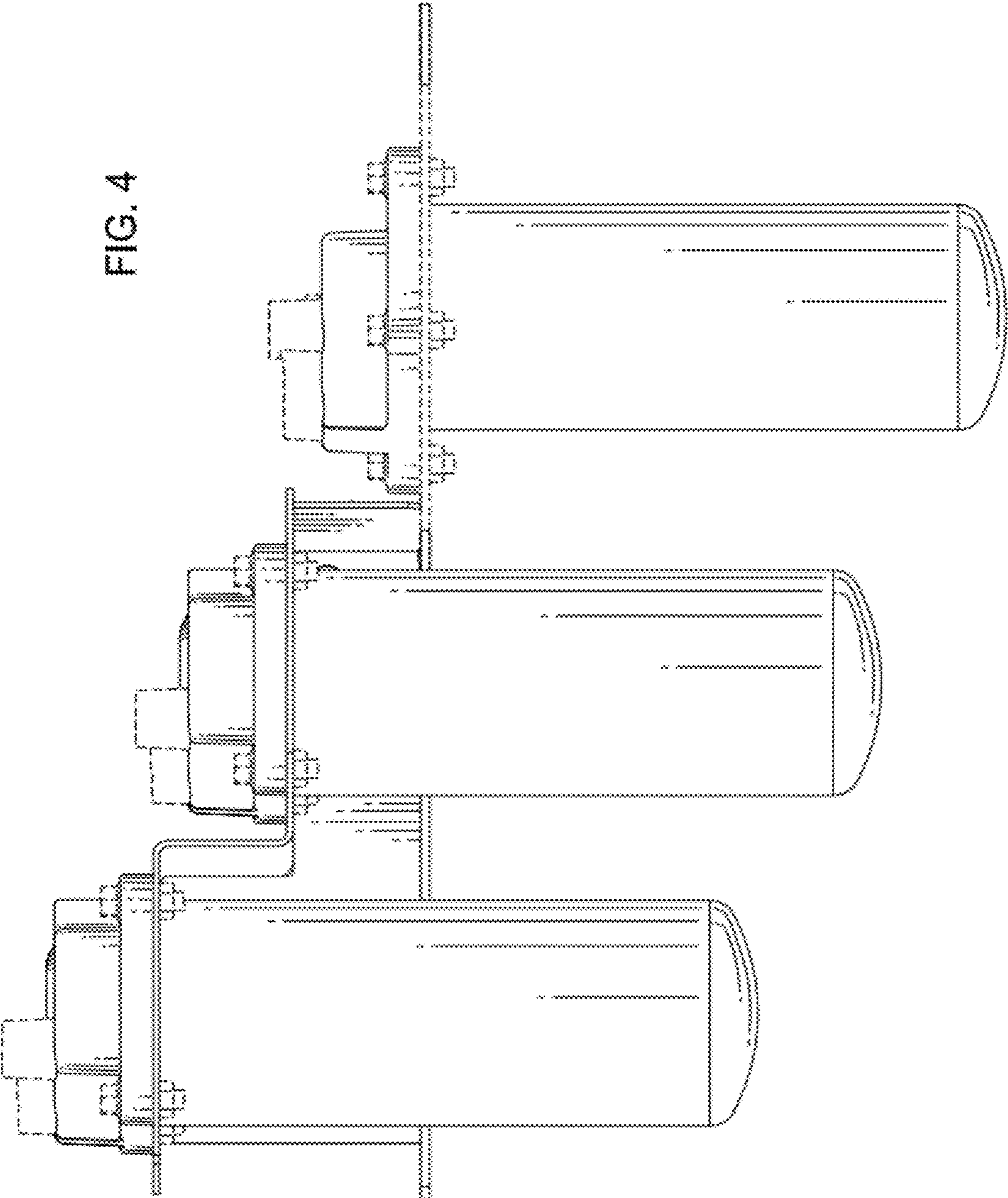


FIG. 4



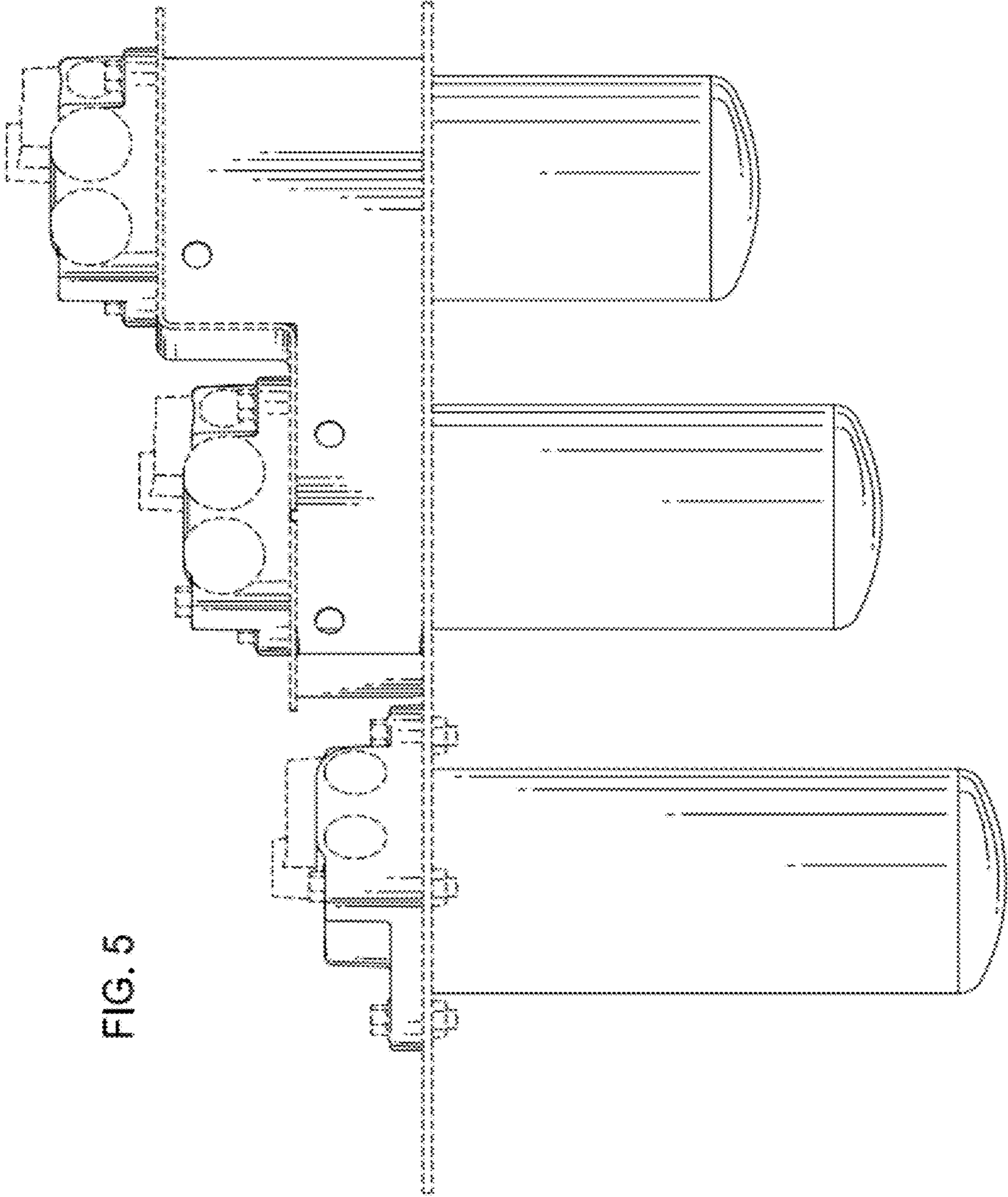


FIG. 5

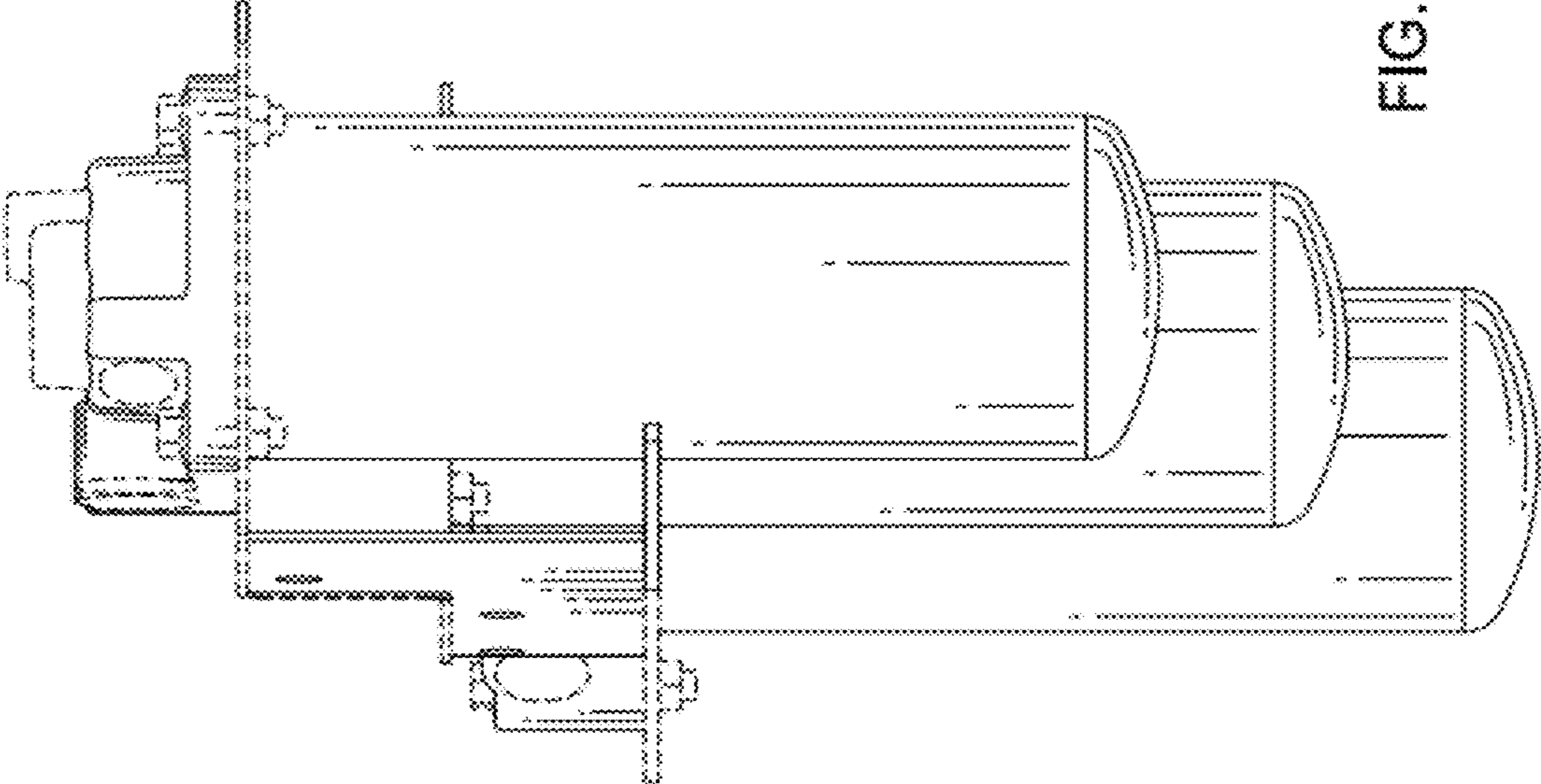


FIG. 7

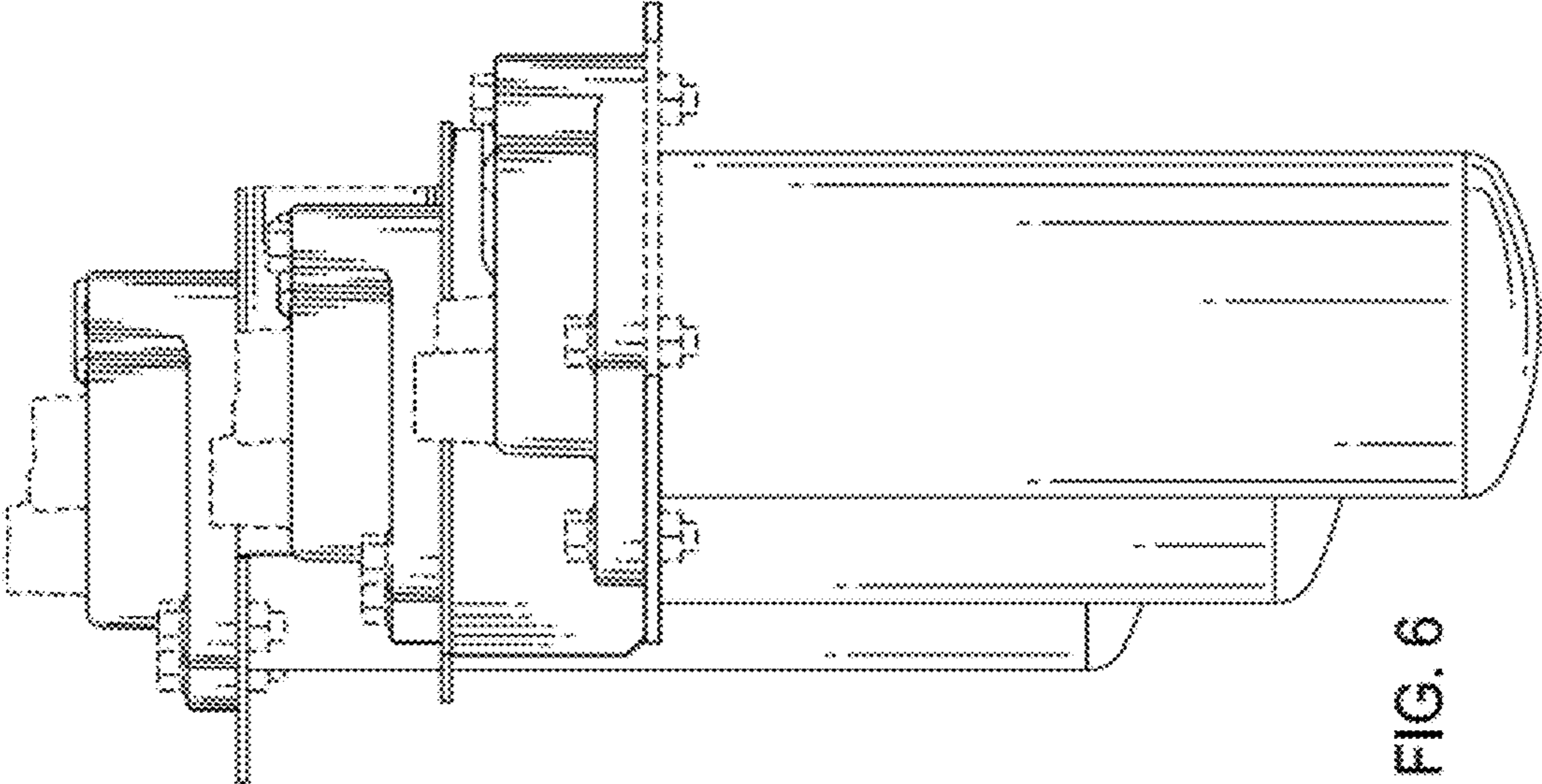


FIG. 6

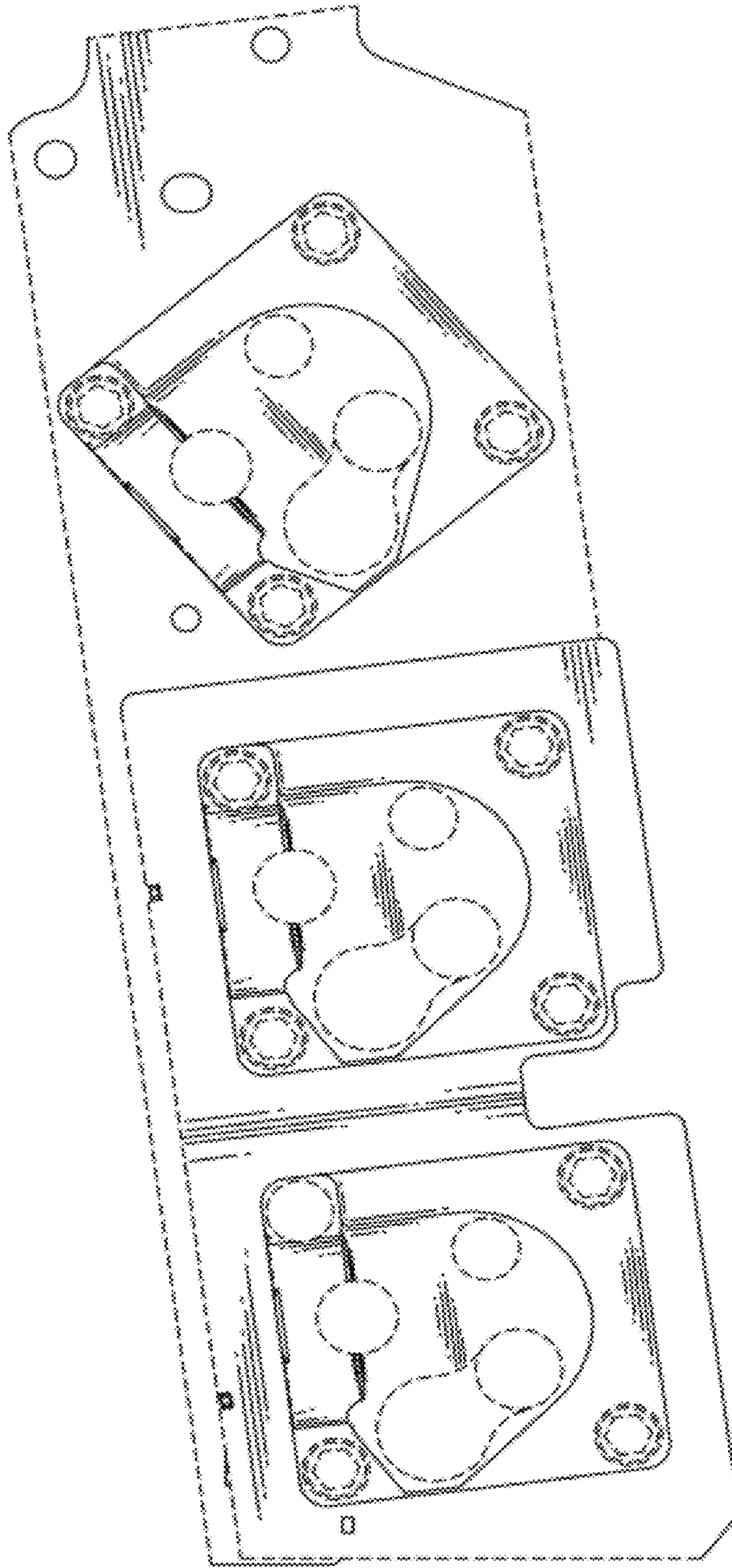


FIG. 8

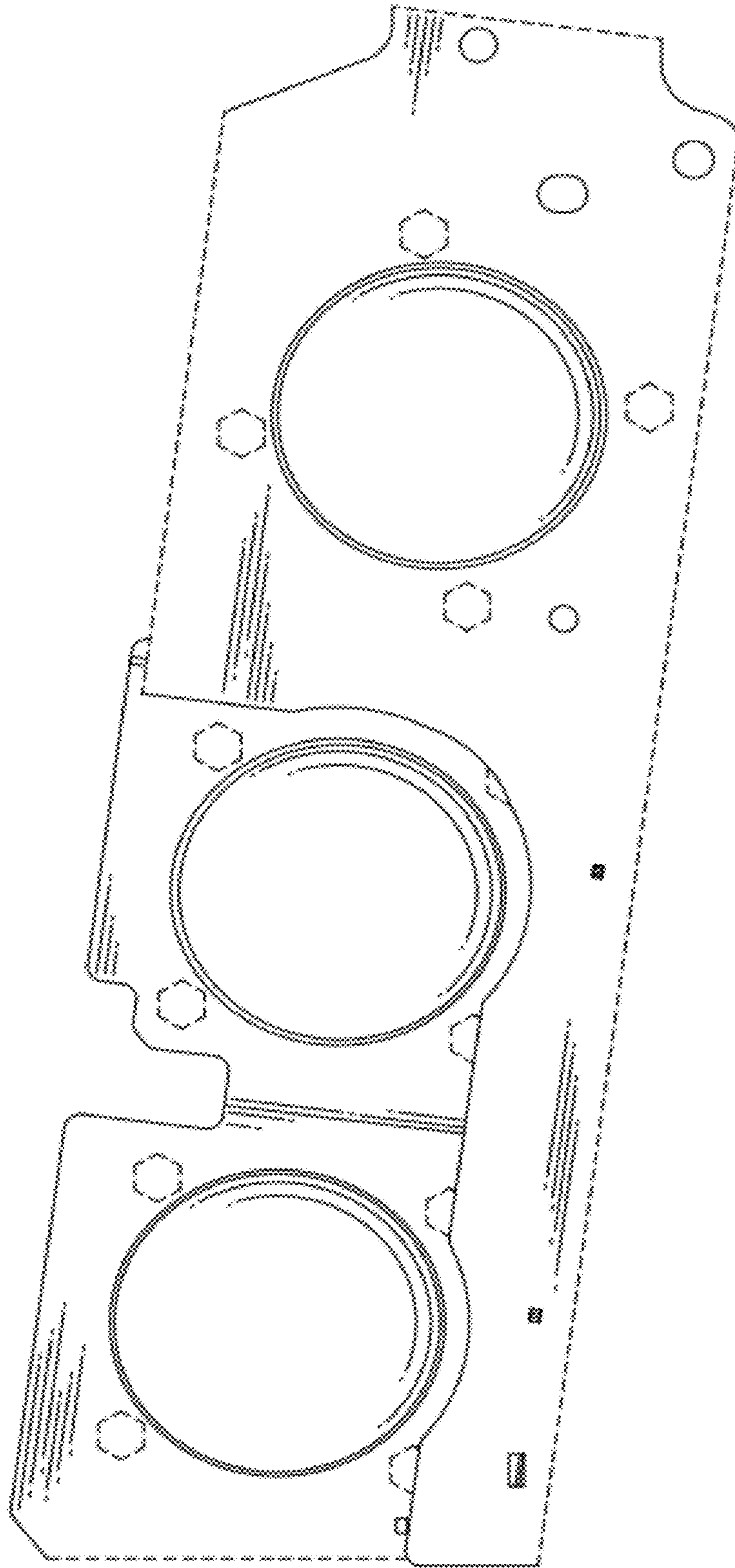


FIG. 9

UNITED STATES PATENT AND TRADEMARK OFFICE
CERTIFICATE OF CORRECTION

PATENT NO. : D676,062 S
APPLICATION NO. : 29/419388
DATED : February 12, 2013
INVENTOR(S) : Zachary T. Flatley et al.

Page 1 of 1

It is certified that error appears in the above-identified patent and that said Letters Patent is hereby corrected as shown below:

On the Title Page Item (75) should read:

“Zachary T Flatley” is changed to --Zachary T. Flatley--.

The residence of Zachary T. Flatley is changed from “Cuba City, Iowa” to --Cuba City, Wisconsin--.

“Richard J Ginsterblum” is changed to --Richard J. Ginsterblum--.

“Scott W Zimmerman” is changed to --Scott W. Zimmerman--.

Signed and Sealed this
Tenth Day of September, 2013



Teresa Stanek Rea
Acting Director of the United States Patent and Trademark Office