

US00D676061S

(12) **United States Design Patent**
Beierer et al.

(10) **Patent No.:** **US D676,061 S**

(45) **Date of Patent:** **** Feb. 12, 2013**

(54) **PISTON**

(56) **References Cited**

(75) Inventors: **Philipp Beierer**, Canning Vale (AU);
Ossi Kahra, Canning Vale (AU)

(73) Assignee: **Sandvik Intellectual Property AB**,
Sandviken (SE)

(**) Term: **14 Years**

(21) Appl. No.: **29/407,863**

(22) Filed: **Dec. 2, 2011**

(30) **Foreign Application Priority Data**

Jun. 2, 2011 (AU) 337413

(51) **LOC (9) Cl.** **15-01**

(52) **U.S. Cl.** **D15/5**

(58) **Field of Classification Search** D15/1-5,
D15/7, 21; 123/193.6, 47 A, 47 R, 41.35,
123/661, 659

See application file for complete search history.

U.S. PATENT DOCUMENTS

5,284,216	A *	2/1994	Brungs et al.	175/385
5,956,953	A *	9/1999	Folsom et al.	60/491
D454,888	S *	3/2002	Tsunoda	D15/9
7,673,706	B2 *	3/2010	Simmons	175/57
2007/0227777	A1 *	10/2007	Simmons	175/57

* cited by examiner

Primary Examiner — T. Chase Nelson

Assistant Examiner — Ania Aman

(74) *Attorney, Agent, or Firm* — Alston & Bird LLP

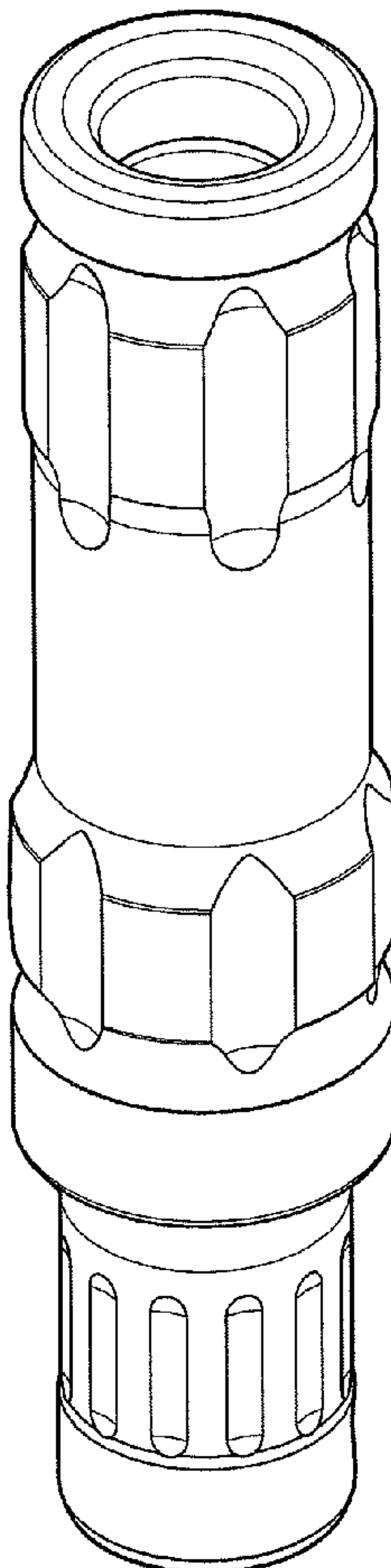
(57) **CLAIM**

We claim the ornamental design for a piston, as shown and described.

DESCRIPTION

FIG. 1 is a perspective view of an embodiment of a piston showing our new design;
FIG. 2 is a top plan view thereof;
FIG. 3 is a side elevation view thereof, the opposing side elevation view being a mirror image;
FIG. 4 is a bottom plan view thereof; and,
FIG. 5 is a cross-sectional side elevation view thereof taken along line 5-5 of FIG. 3.

1 Claim, 1 Drawing Sheet



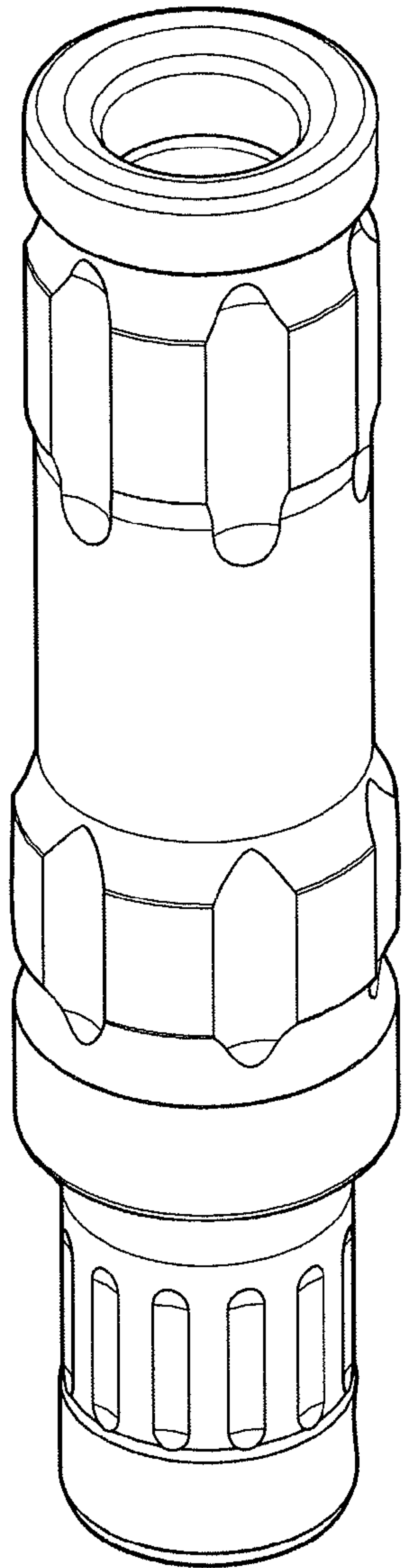


FIG. 1

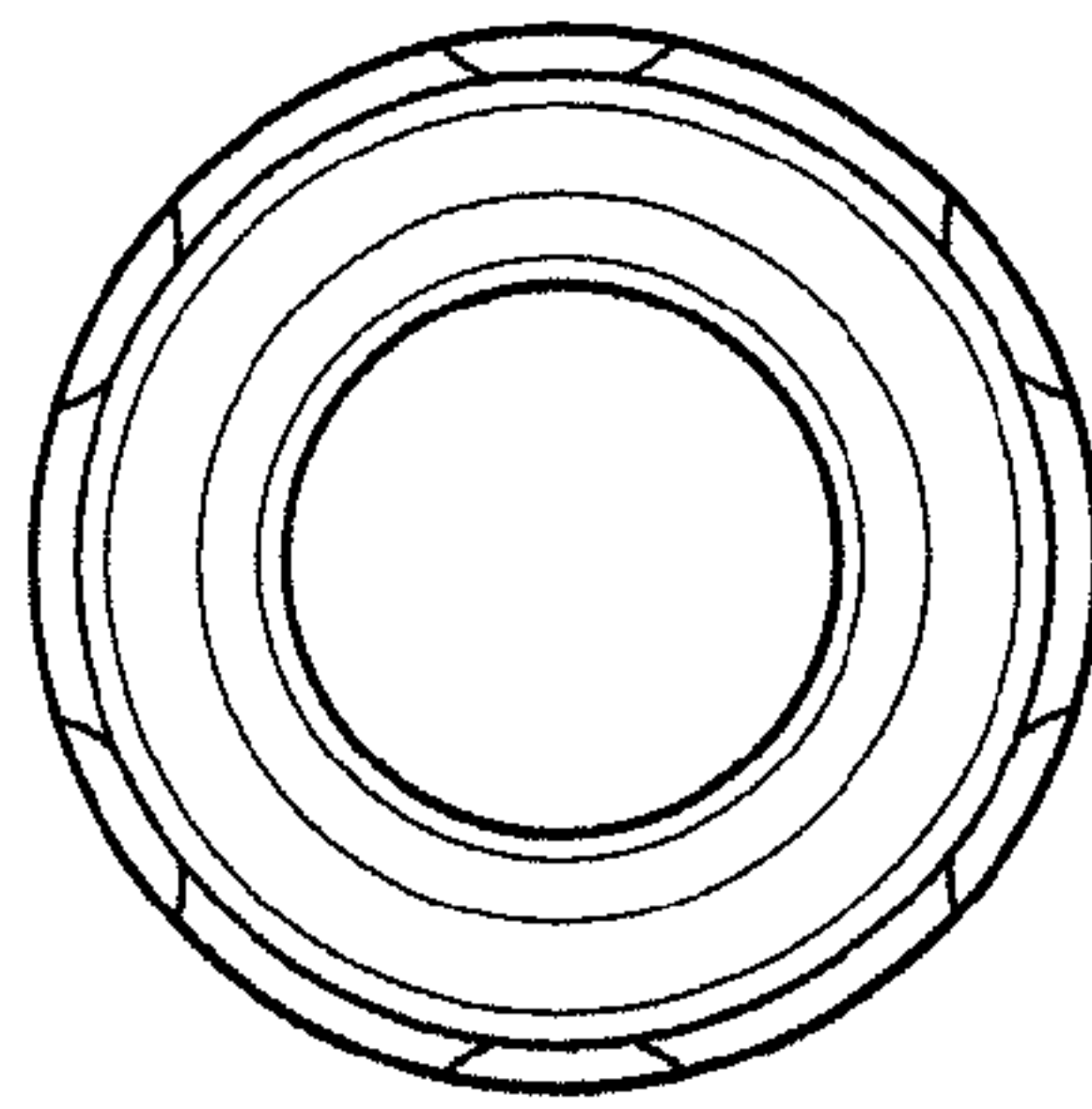


FIG. 2

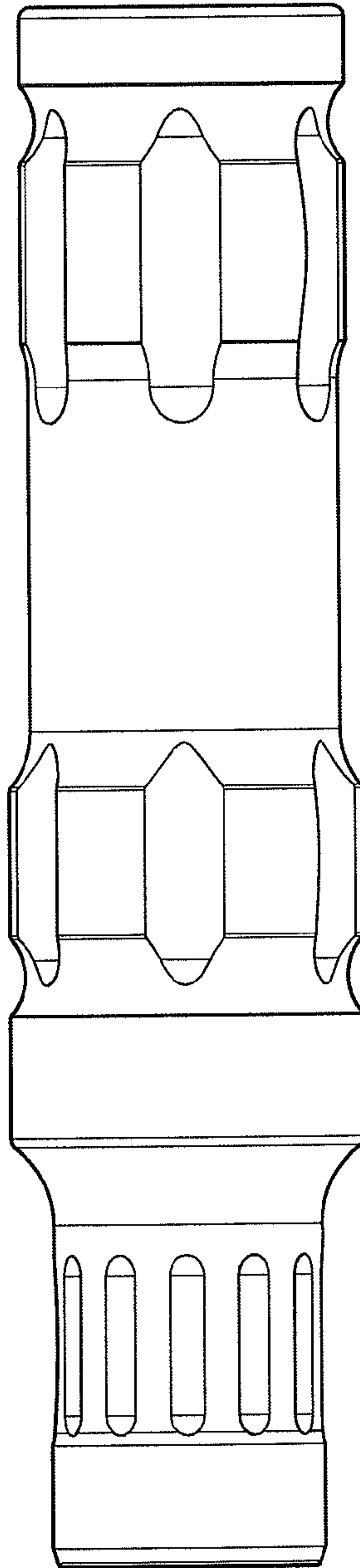


FIG. 3

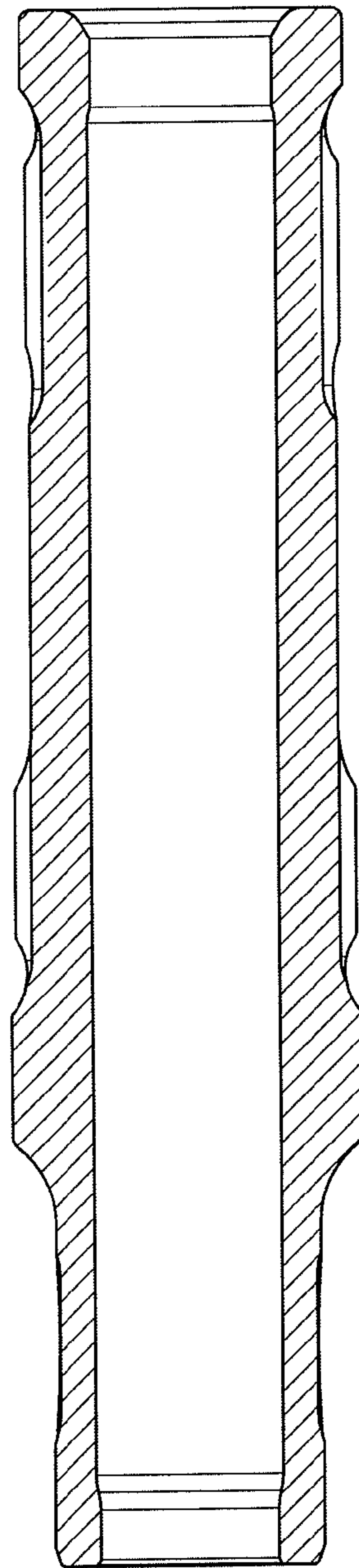


FIG. 5

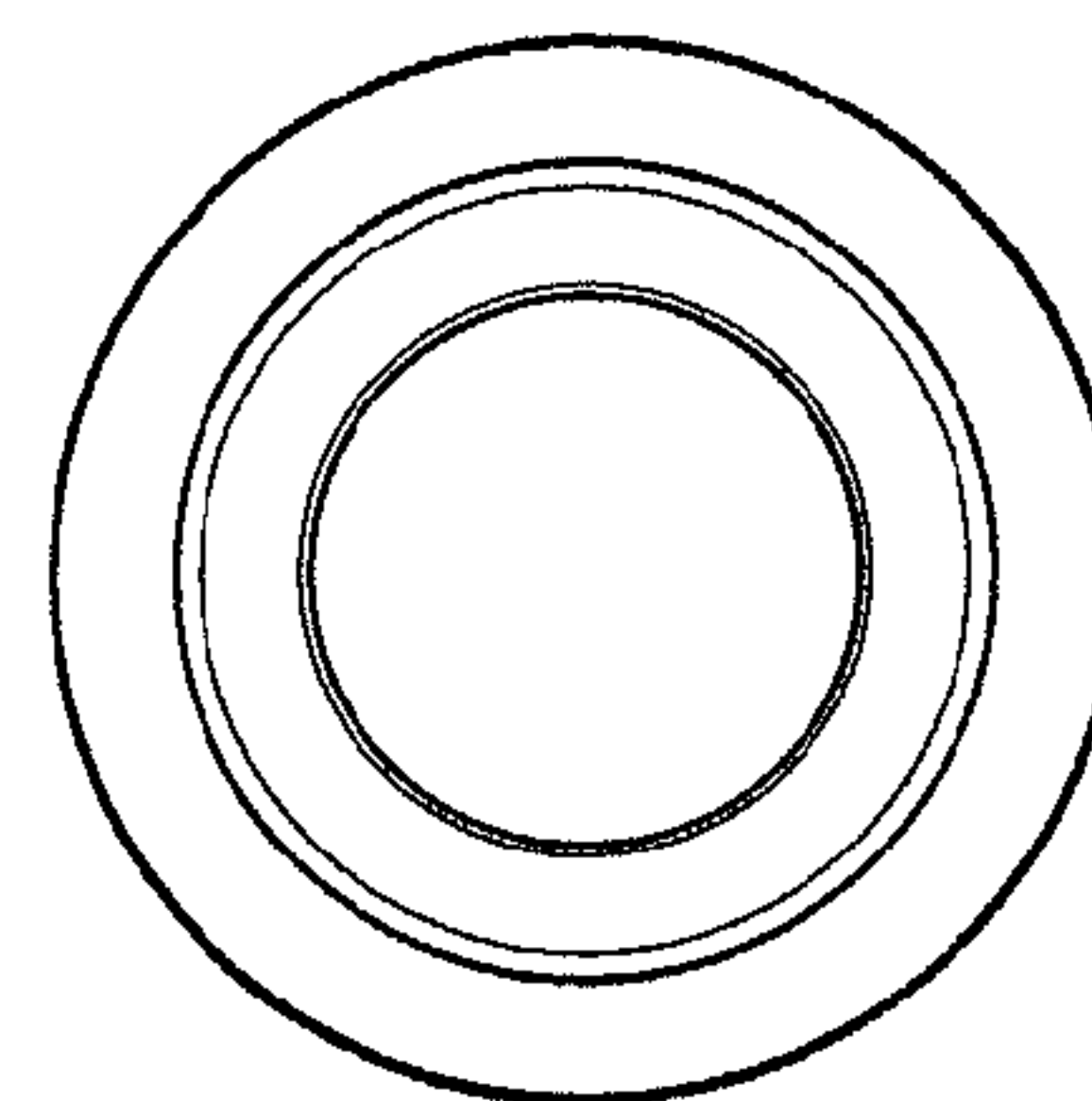


FIG. 4