



US00D676056S

(12) **United States Design Patent**  
**Liang**

(10) **Patent No.:** **US D676,056 S**  
(45) **Date of Patent:** **\*\* Feb. 12, 2013**

(54) **COMPUTER BASE**

(76) Inventor: **Jia-Dong Liang**, Taipei (TW)

(\*\*) Term: **14 Years**

(21) Appl. No.: **29/426,652**

(22) Filed: **Jul. 9, 2012**

(51) **LOC (9) Cl.** ..... **08-07**

(52) **U.S. Cl.** ..... **D14/447**

(58) **Field of Classification Search** ..... D14/447,  
D14/432, 434, 433, 439, 440, 448, 451, 452,  
D14/457, 460, 217, 239, 238.1, 250, 251,  
D14/253, 203.8, 341, 336, 371, 372, 374,  
D14/375, 376, 377, 378, 379, 392; D13/107,  
D13/108; D3/218; D6/406.1, 406.3, 406.4,  
D6/406.5, 406.6, 419, 420, 429, 396, 449,  
D6/466, 467, 471; 361/679.02, 679.09, 679.19,  
361/679.21, 679.22, 679.23, 679.26, 679.27,  
361/679.3, 679.55, 679.56, 679.6; 248/917-924,  
248/136, 150, 152, 153, 371, 166, 176.1,  
248/176.3, 188.6, 676, 678, 441.1, 444.1,  
248/447, 447.1, 447.2, 451, 454, 455, 456,  
248/460, 463, 465.1

See application file for complete search history.

(56) **References Cited**

**U.S. PATENT DOCUMENTS**

D365,105 S \* 12/1995 Aubuchon et al. .... D14/240  
D468,773 S \* 1/2003 Bodum ..... D19/92  
D556,744 S \* 12/2007 Katagiri et al. .... D14/239  
D579,455 S \* 10/2008 Chu ..... D14/447  
D583,821 S \* 12/2008 Richter ..... D14/447  
D598,024 S \* 8/2009 Scott et al. .... D14/432  
D626,559 S \* 11/2010 Green ..... D14/447  
D637,599 S \* 5/2011 Liao ..... D14/447

D637,601 S \* 5/2011 Symons ..... D14/447  
D658,972 S \* 5/2012 Virgin ..... D8/349  
D661,308 S \* 6/2012 Capozzoli, II ..... D14/447  
2008/0272250 A1 \* 11/2008 Oh et al. .... 248/118.5  
2010/0213329 A1 \* 8/2010 Petruzzelli et al. .... 248/176.1

**OTHER PUBLICATIONS**

Other World Computing, NewerTech NuStand Alloy Desktop stand for Apple Mac mini, <http://eshop.macsales.com/item/Newer%20Tevhcnology/NUSTALYMINI/>, 2 web pages. Jun. 29, 2012.

Schwarztech, ReviewMacessity Stack On Mi, <http://schwarztech.us/reviews/stackonmo>, 2 web pages, Jun. 29, 2012.

123 Macmini.com, 123 Stands and Mounts, <http://www.123macmini.com/accessories/guide/stands.html>, 8 web pages, Jun. 29, 2012.

LowEndMac, Mac News Review, New iMacs, eMac Discontinued, Apple Tops in Reliability, zStand hub for Mac mini, Colorize Your iMac G5, and More, <http://lowendmac.com/newsrev/05/1014.html>, 7 web pages. Jun. 29, 2012.

\* cited by examiner

*Primary Examiner* — Angela J Lee

(74) *Attorney, Agent, or Firm* — Geoffrey A. Mantooth

(57) **CLAIM**

The ornamental design for a computer base, as shown and described.

**DESCRIPTION**

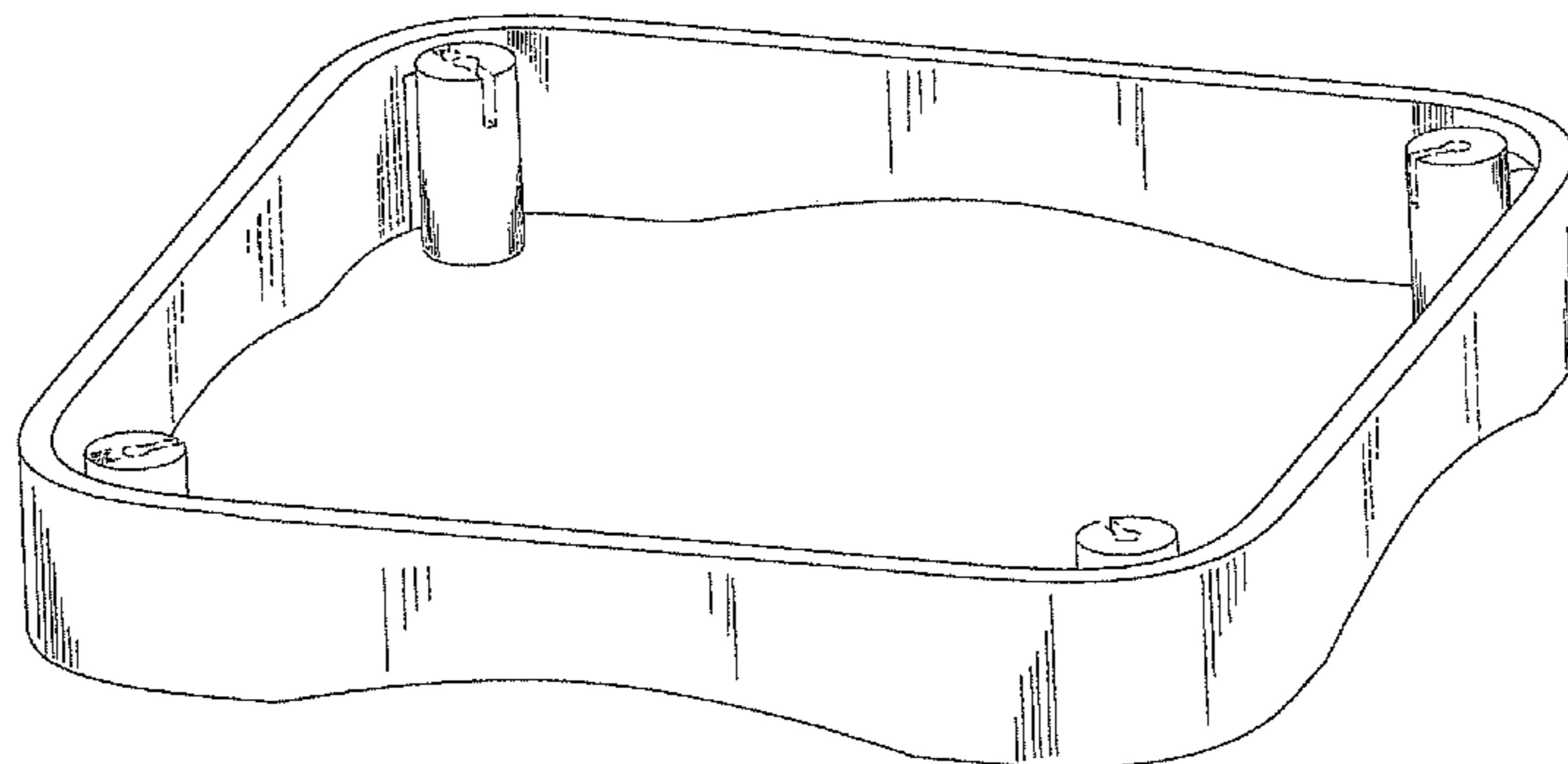
FIG. 1 is a perspective view of the base, showing my new design;

FIG. 2 is a top plan view thereof;

FIG. 3 is a bottom plan view thereof; and,

FIG. 4 is a front side elevational view thereof, the other side views being the same.

**1 Claim, 4 Drawing Sheets**



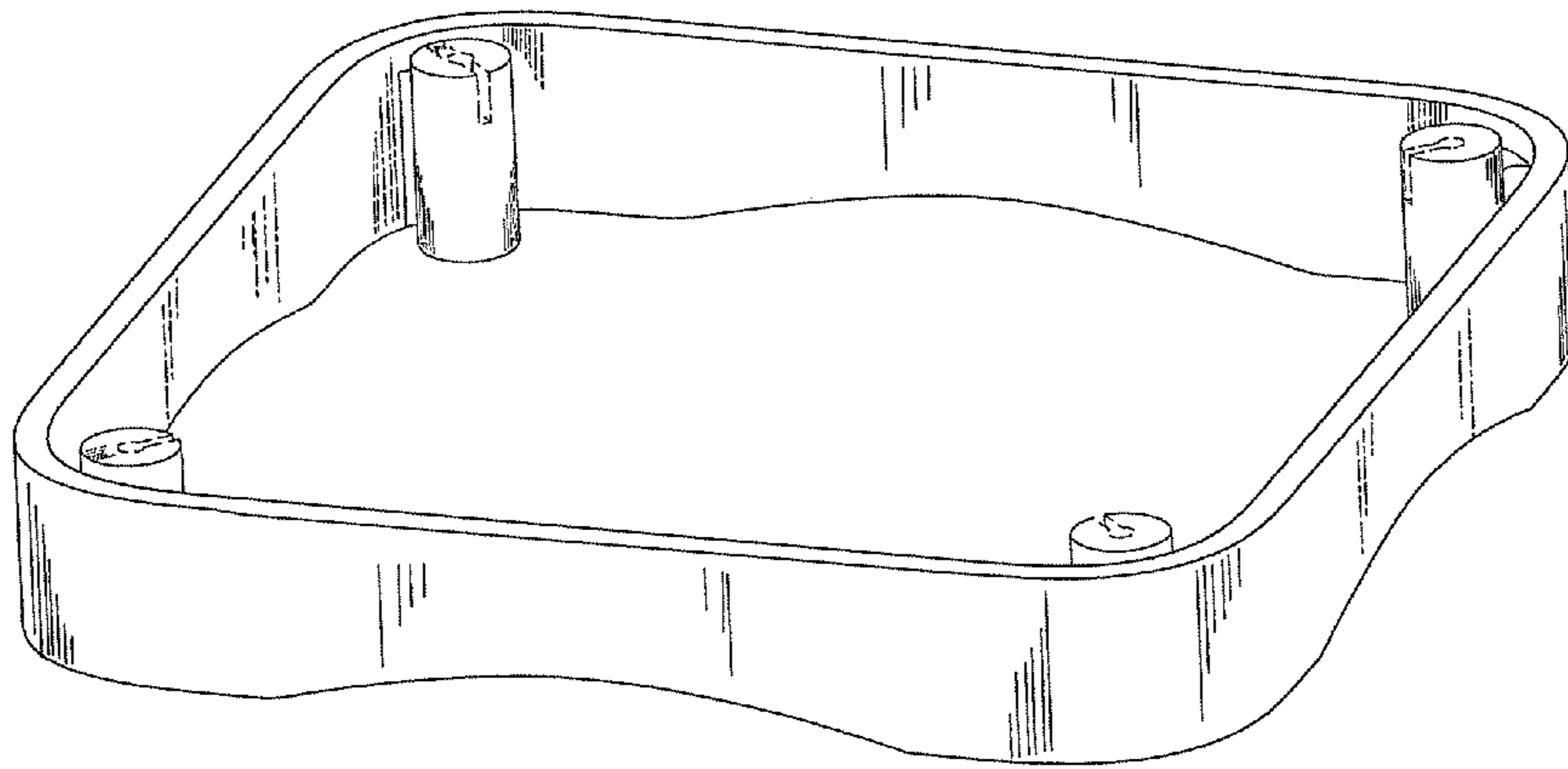


Fig. 1

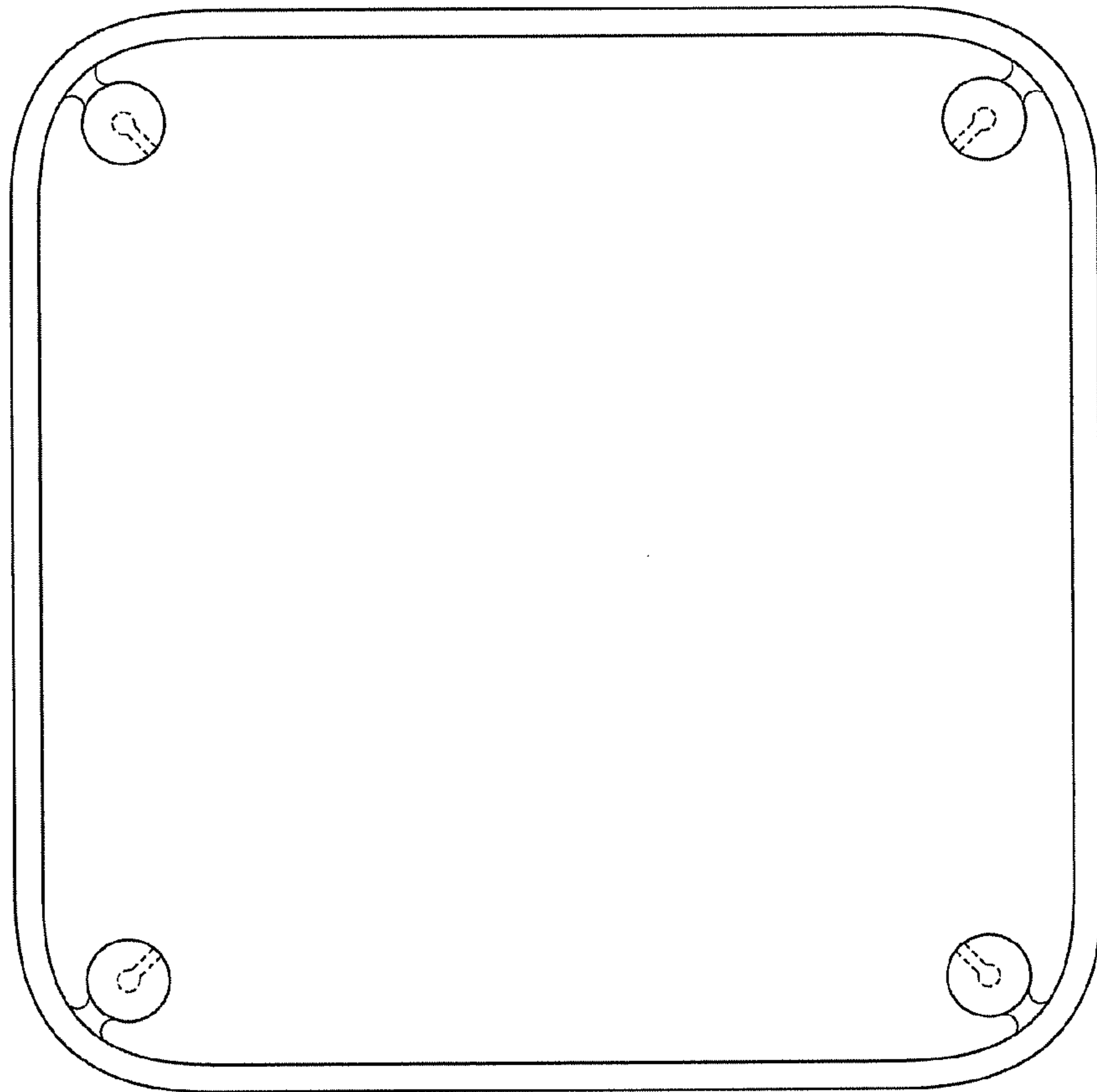


Fig. 2

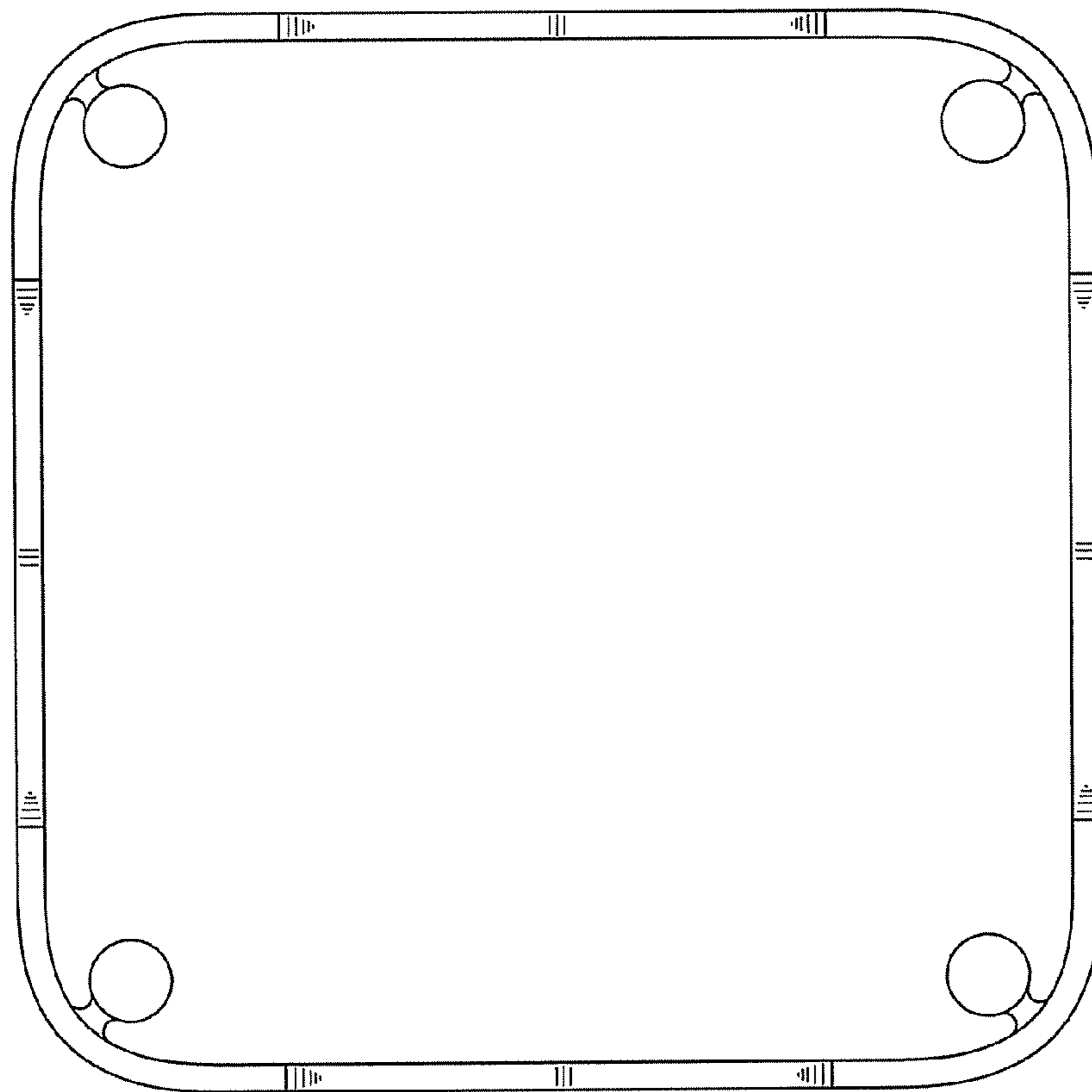


Fig. 3



Fig. 4